



US00D898654S

(12) **United States Design Patent**
Huang

(10) **Patent No.:** **US D898,654 S**

(45) **Date of Patent:** **** Oct. 13, 2020**

(54) **CAR HAND GRAB**

(71) Applicant: **SHENZHEN SHIPIN SUPPLY CHAIN MANAGEMENT CO., LTD.**,
Longhua District, Shenzhen (CN)

(72) Inventor: **Xing Huang**, Shenzhen (CN)

(73) Assignee: **SHENZHEN SHIPIN SUPPLY CHAIN MANAGEMENT CO., LTD.**,
Shenzhen (CN)

(**) Term: **15 Years**

(21) Appl. No.: **29/689,169**

(22) Filed: **Apr. 27, 2019**

(51) **LOC (12) Cl.** **12-16**

(52) **U.S. Cl.**
USPC **D12/400; D8/303**

(58) **Field of Classification Search**
USPC D12/133, 179, 400; D21/662, 684, 673,
D21/687, 692, 691, 694; D3/12, 5, 7, 10,
D3/14, 16; D32/68-73; D4/138, 199;
D7/393; D8/300-309, 367, 107, 354,
D8/349, 394, 372, 398, 382, 356;
D9/455

CPC A63B 21/4033; A45B 9/02; B25G 1/06
See application file for complete search history.

(56) **References Cited**

U.S. PATENT DOCUMENTS

4,730,632 A * 3/1988 Mace A45B 9/02
135/72
D300,576 S * 4/1989 Cartabbia D32/72
D444,605 S * 7/2001 Porter D12/133
D459,645 S * 7/2002 Rothfus D8/303
D495,281 S * 8/2004 Pfeiffer D12/179

D573,351 S * 7/2008 Angers D4/138
7,506,398 B2 * 3/2009 Martin B25G 1/06
15/144.1
D621,602 S * 8/2010 White D3/12
D652,091 S * 1/2012 Gellatly A63B 21/4033
D21/662
D681,392 S * 5/2013 Dichraff D7/393
D742,189 S * 11/2015 Sandelin D8/107
D743,324 S * 11/2015 Deng D12/400
D783,267 S * 4/2017 Birnbaum D3/12
D796,940 S * 9/2017 White D8/367
D840,231 S * 2/2019 Payne D9/455
D857,476 S * 8/2019 Lapp D8/303
D871,889 S * 1/2020 Lewis D8/308
D876,743 S * 2/2020 Schapiro D32/72

* cited by examiner

Primary Examiner — Susan E Krakower

Assistant Examiner — Jerry Shiu-an-Hua Hsu

(74) *Attorney, Agent, or Firm* — Law Offices of Steven
W. Weinrieb

(57) **CLAIM**

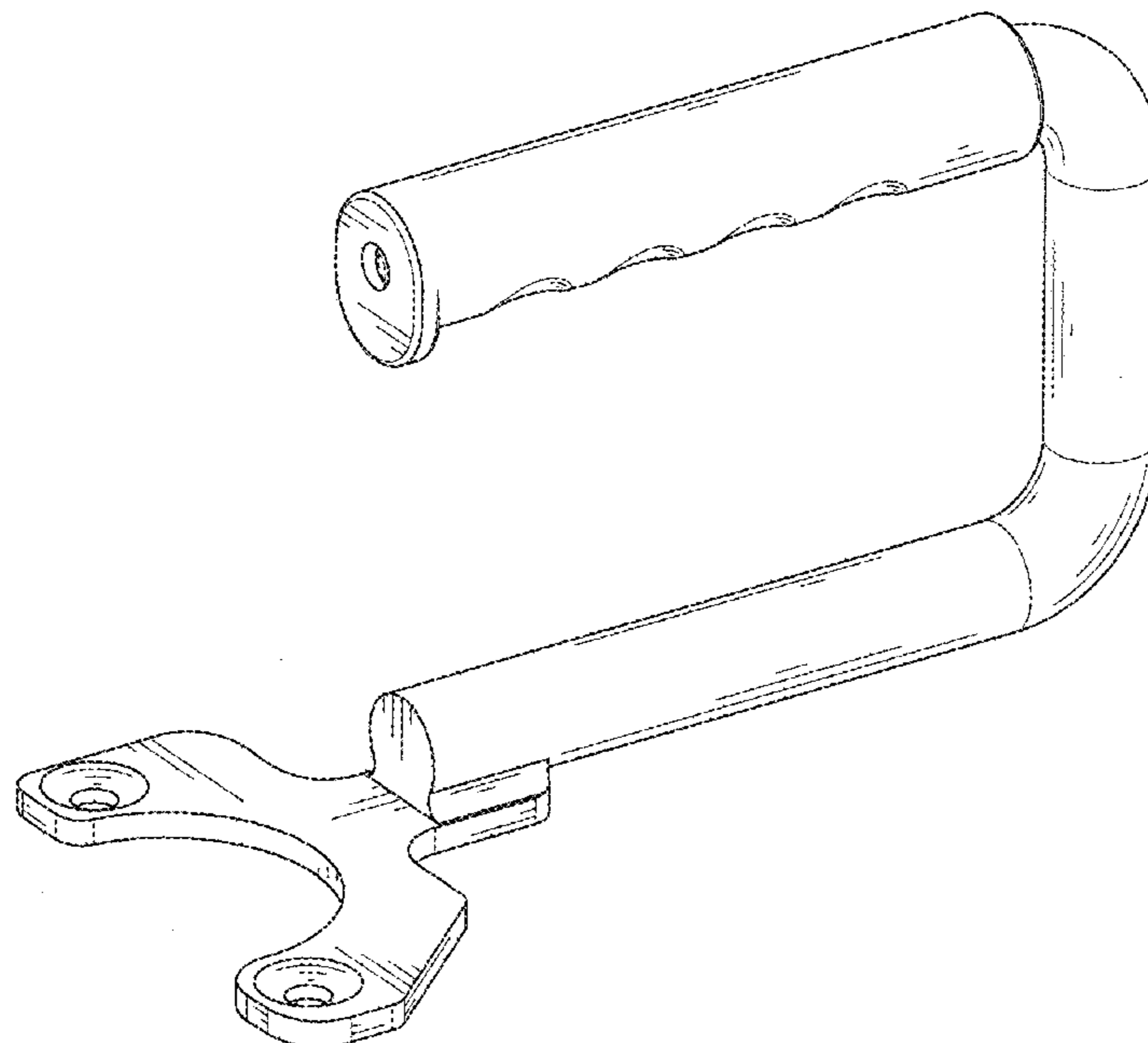
The ornamental design for a car hand grab, as shown and described.

DESCRIPTION

FIG. 1 is a front, right side, top perspective view of a car hand grab showing my new design;
FIG. 2 is a left side elevational view thereof;
FIG. 3 is a right side elevational view thereof;
FIG. 4 is a rear elevational view thereof;
FIG. 5 is a front elevational view thereof;
FIG. 6 is a top plan view thereof; and,
FIG. 7 is a bottom plan view thereof.

The broken lines illustrate portions of the car hand grab that form no part of the claimed design.

1 Claim, 7 Drawing Sheets



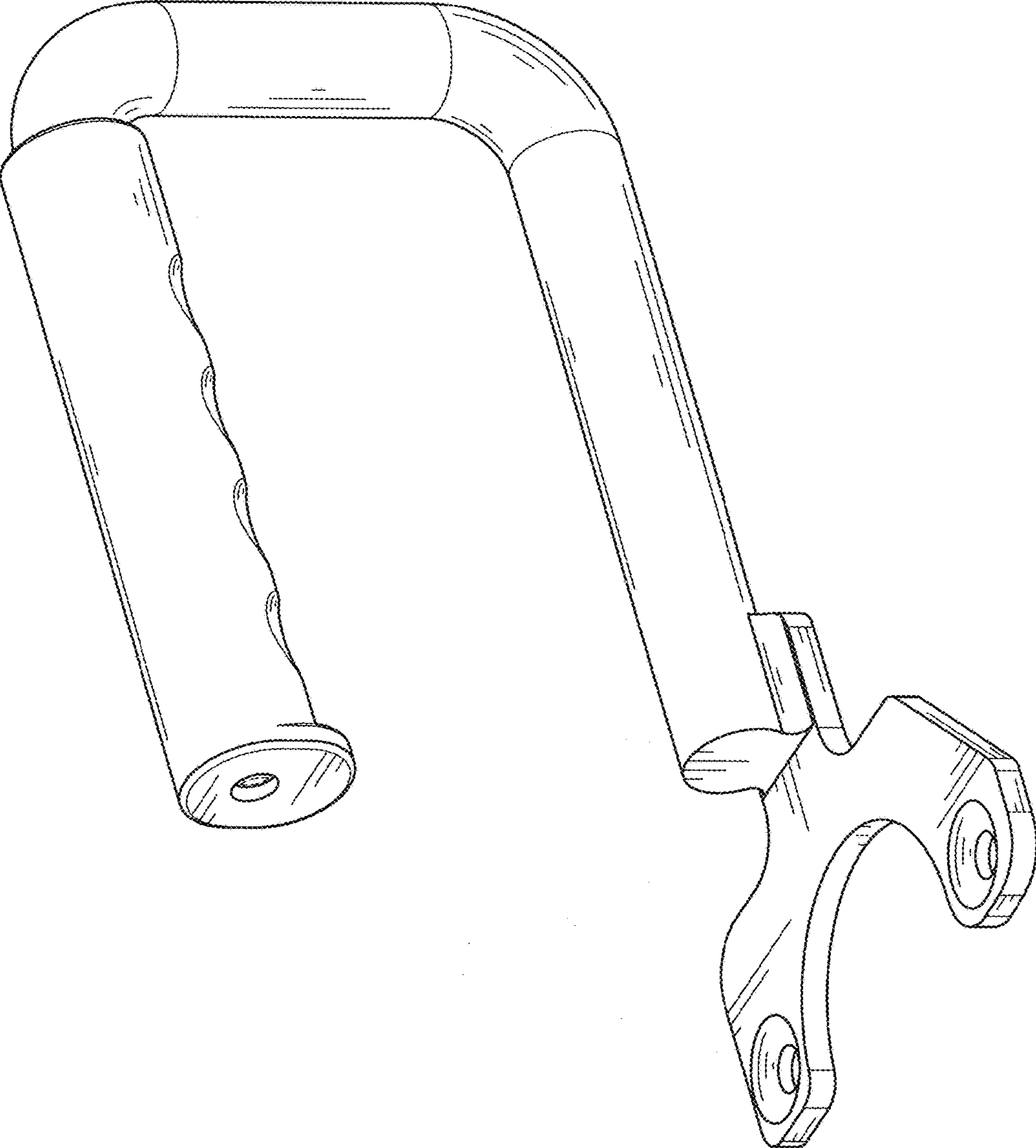


FIG. 1

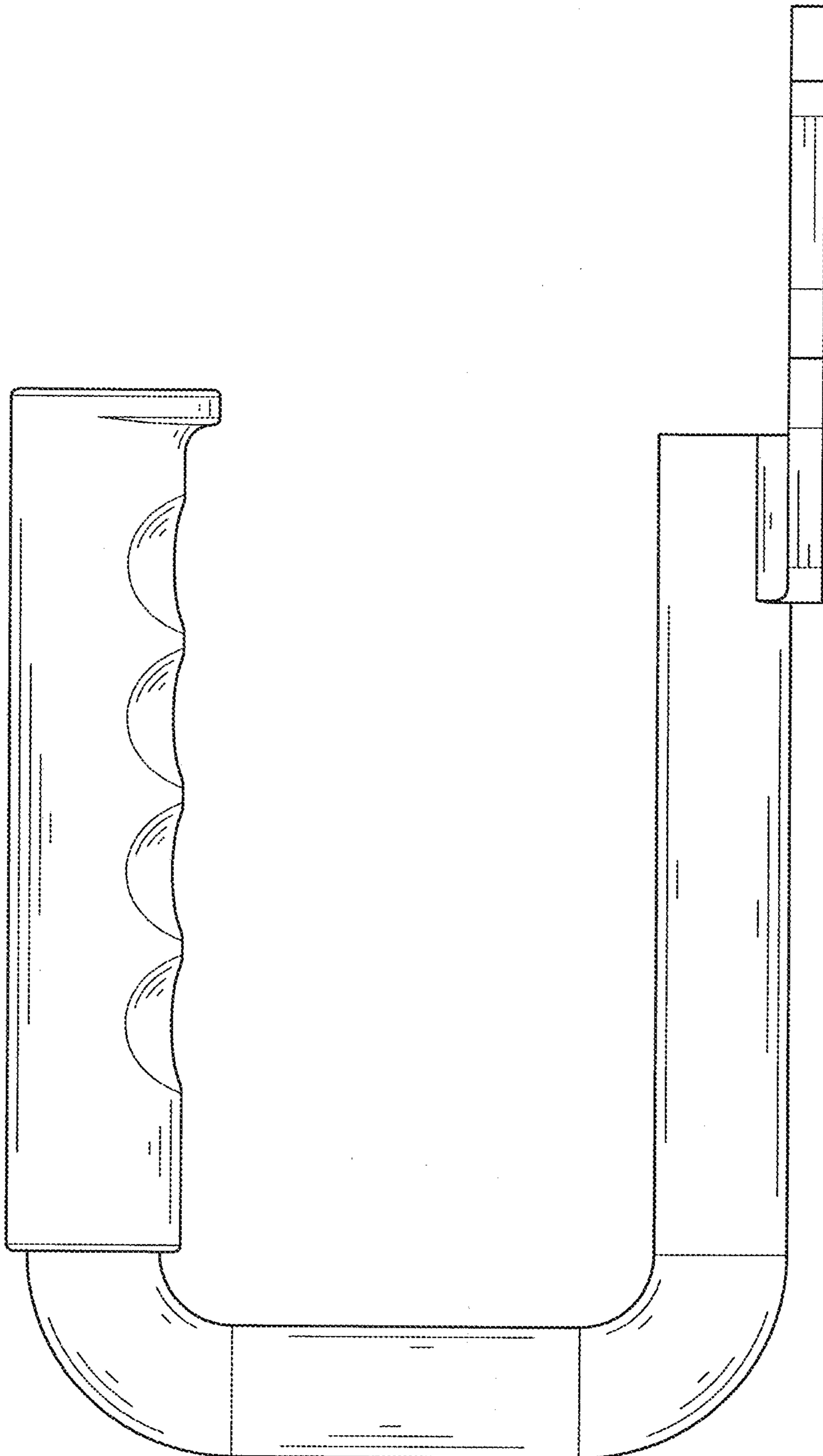


FIG. 2

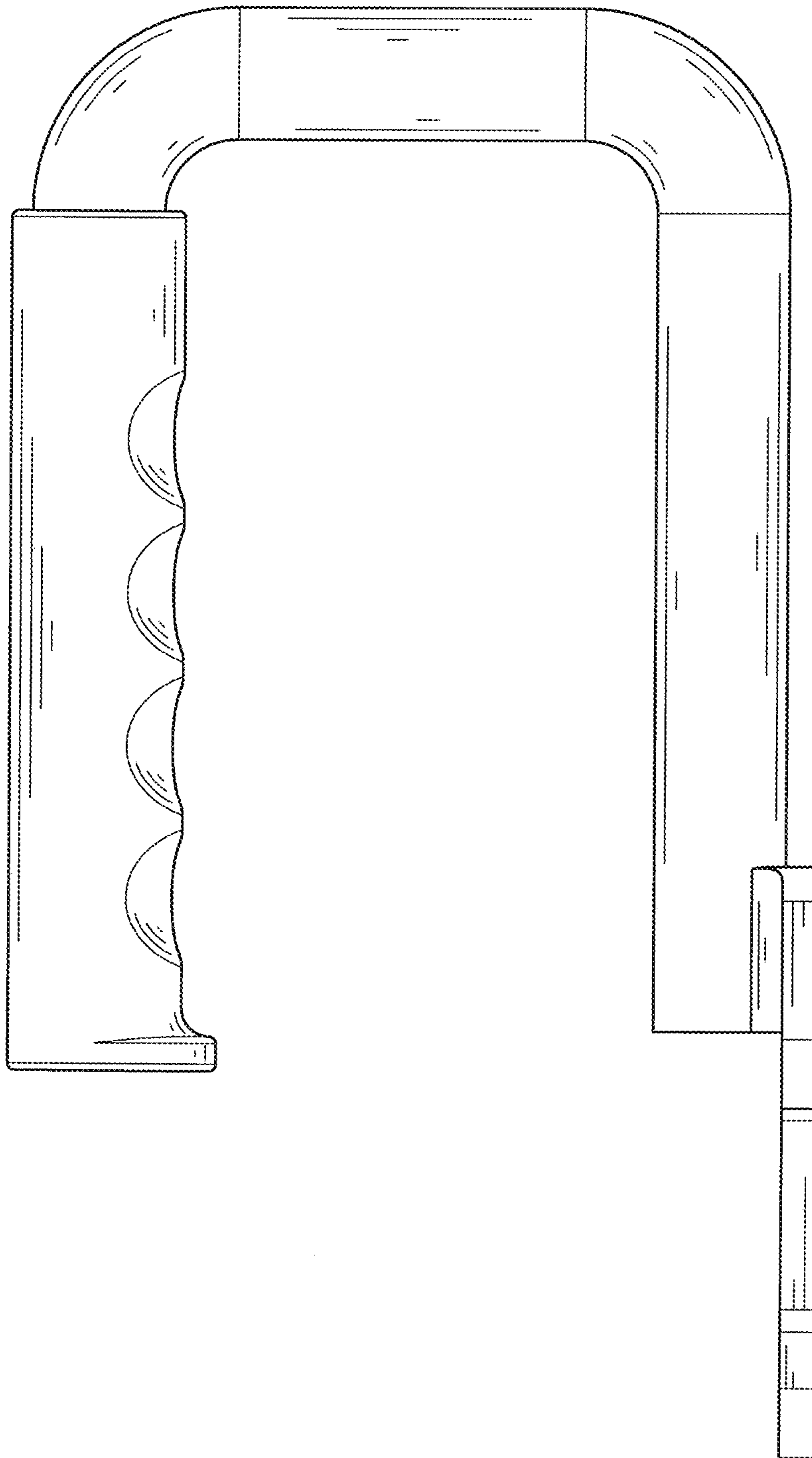


FIG. 3

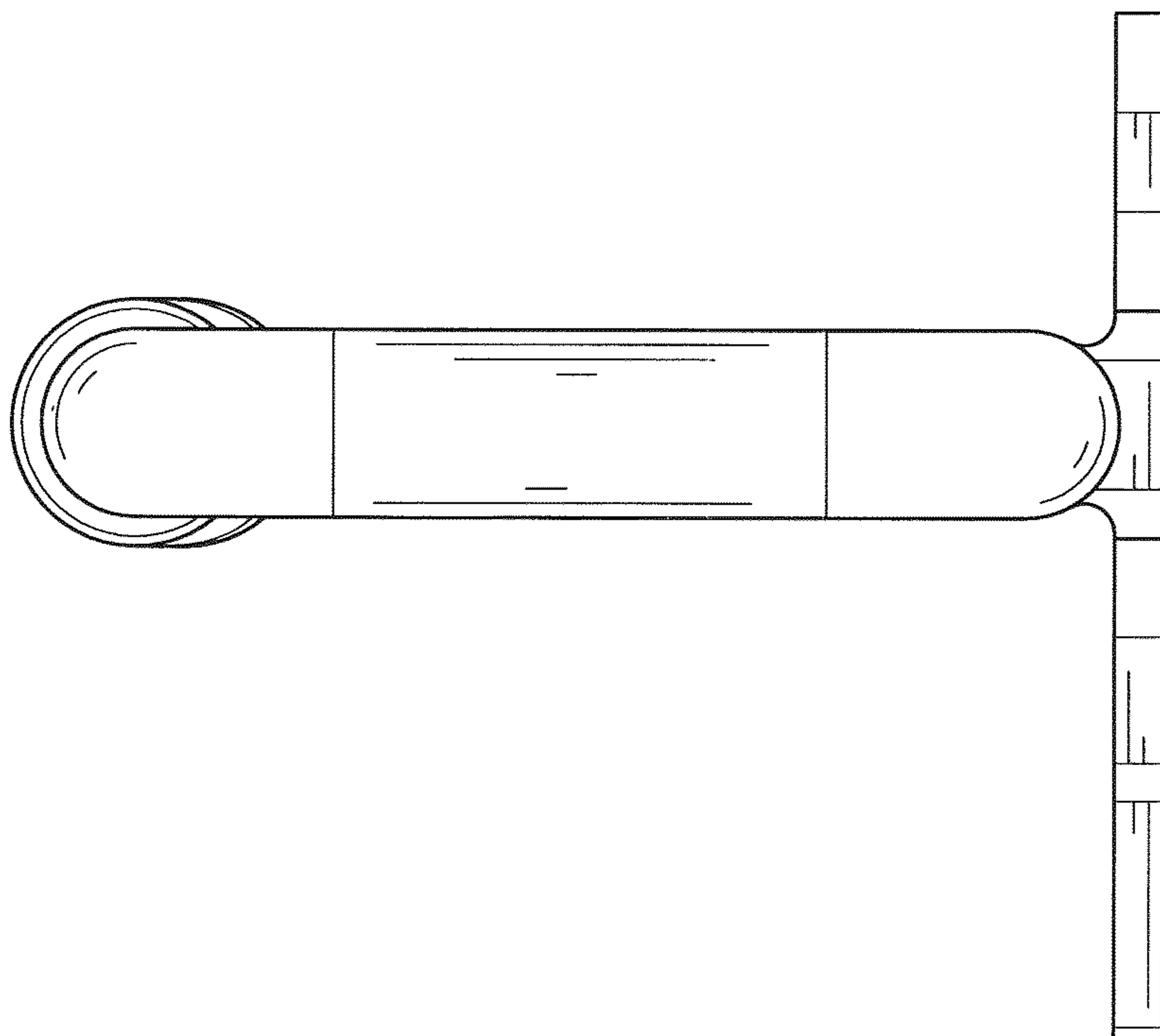


FIG.4

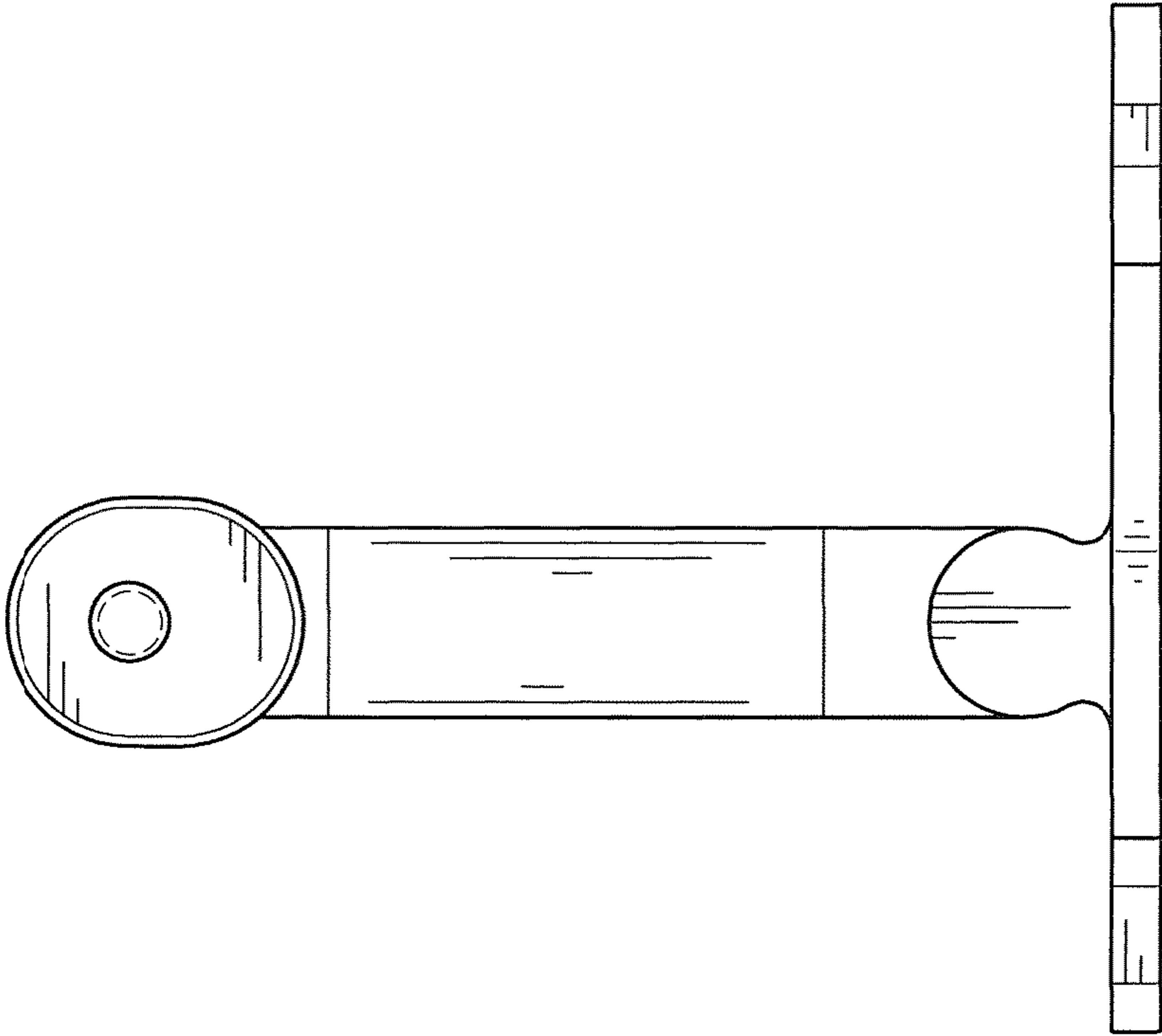


FIG. 5

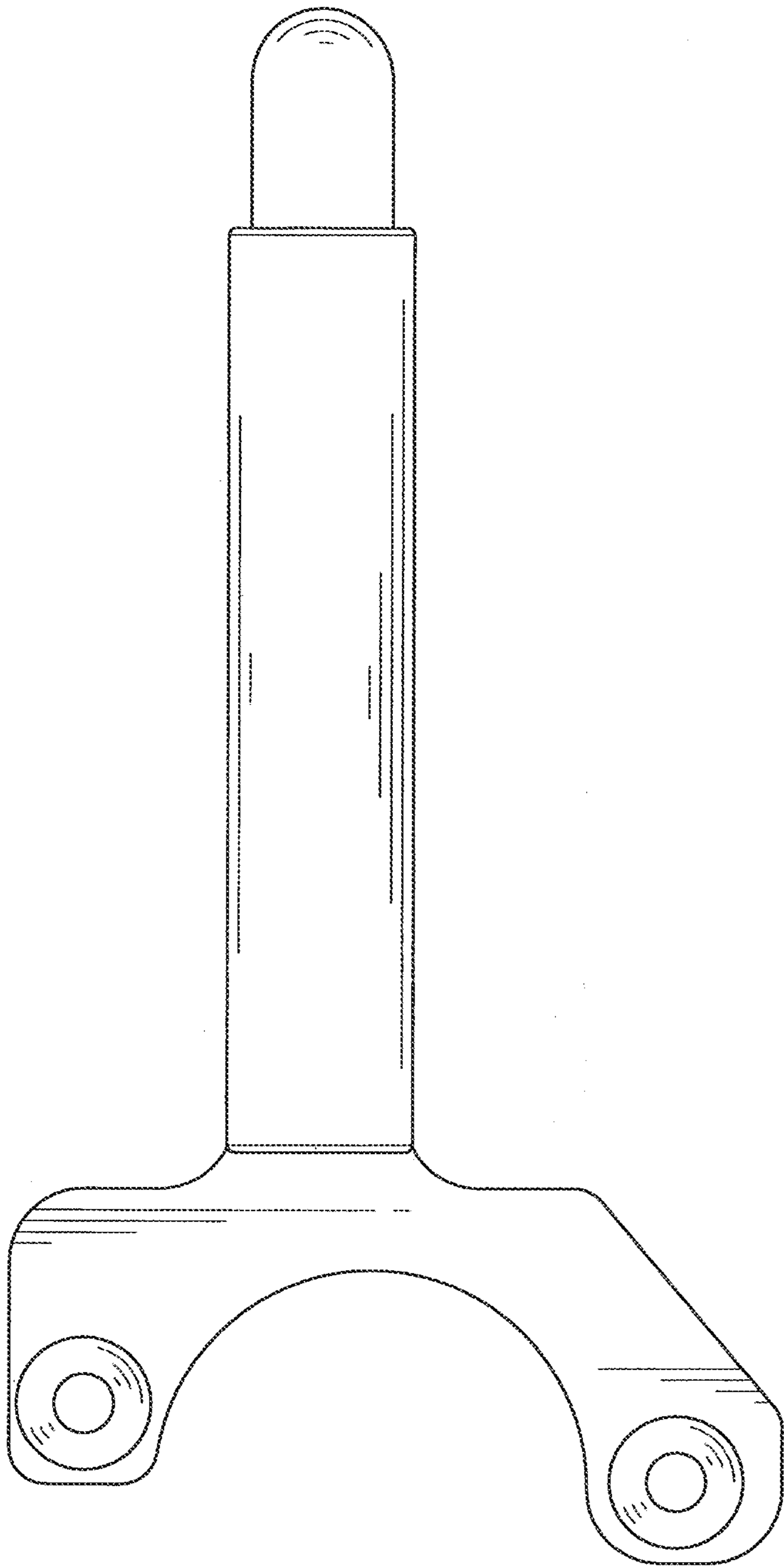


FIG. 6

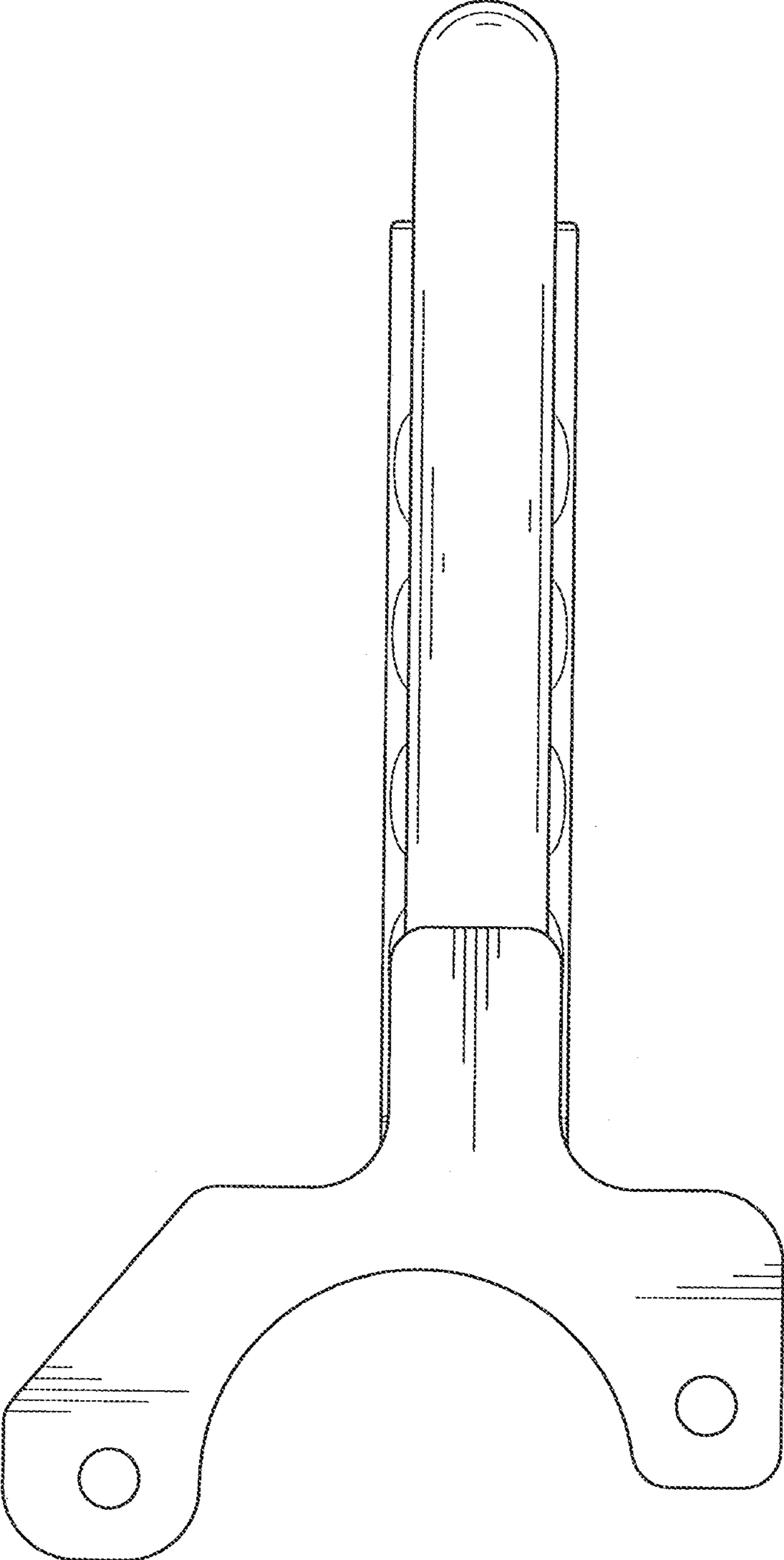


FIG. 7