



US00D898650S

(12) **United States Design Patent**
Lickliter

(10) **Patent No.:** **US D898,650 S**

(45) **Date of Patent:** **** Oct. 13, 2020**

(54) **WHEEL**

(71) Applicant: **Wheel Pros, LLC**, Greenwood Village, CO (US)

(72) Inventor: **Hans Lickliter**, Canyon Country, CA (US)

(**) Term: **15 Years**

(21) Appl. No.: **29/699,874**

(22) Filed: **Jul. 30, 2019**

(51) **LOC (12) Cl.** **12-16**

(52) **U.S. Cl.**
USPC **D12/209**

(58) **Field of Classification Search**

USPC D12/204–213; D21/563
CPC B60B 7/00; B60B 7/02; B60B 7/04; B60B 7/01; B60B 7/06; B60B 3/02; B60B 3/04; B60B 3/06; B60B 3/10; B60B 1/00; B60B 1/08; B60B 1/10; B60B 1/12

See application file for complete search history.

| | | |
|------------|---------|----------------|
| D504,859 S | 5/2005 | Sulahian |
| D505,374 S | 5/2005 | Aleman |
| D510,307 S | 10/2005 | Howes |
| D523,797 S | 6/2006 | Gallert |
| D524,212 S | 7/2006 | Phillips |
| D524,220 S | 7/2006 | Scheu |
| D528,495 S | 9/2006 | Truebsbach |
| D542,209 S | 5/2007 | Pfeiffer |
| D549,148 S | 8/2007 | Buschmann |
| D569,777 S | 5/2008 | Chung |
| D577,650 S | 9/2008 | Chung |
| D579,845 S | 11/2008 | Chung |
| D582,831 S | 12/2008 | Musser |
| D596,009 S | 7/2009 | Sawhney et al. |
| D598,357 S | 8/2009 | Chung |
| D617,723 S | 6/2010 | Zhao |
| D623,109 S | 9/2010 | Markefka |
| D635,903 S | 4/2011 | Zhang |
| D654,007 S | 2/2012 | Nissl |
| D654,420 S | 2/2012 | Guay |
| D660,771 S | 5/2012 | Mueller-Stolz |
| D669,009 S | 10/2012 | Chung |
| D686,961 S | 7/2013 | Chung |
| D695,193 S | 12/2013 | Kong |
| D698,298 S | 1/2014 | Cortes |
| D698,300 S | 1/2014 | Chung |

(Continued)

Primary Examiner — Stacia A Cadmus

(74) *Attorney, Agent, or Firm* — Eric Hanscom

(56) **References Cited**

U.S. PATENT DOCUMENTS

| | | |
|------------|---------|--------------|
| D291,796 S | 9/1987 | Reid |
| D361,975 S | 9/1995 | Weld |
| D391,216 S | 2/1998 | Ballmann |
| D408,775 S | 4/1999 | Shikado |
| D453,492 S | 2/2002 | Laengerer |
| D455,698 S | 4/2002 | Chung |
| D467,212 S | 12/2002 | Noriega |
| D470,094 S | 2/2003 | van Hooydonk |
| D480,036 S | 9/2003 | Laengerer |
| D482,996 S | 12/2003 | Sulahian |
| D492,925 S | 7/2004 | Fitzgerald |
| D496,317 S | 9/2004 | Kataoka |
| D499,684 S | 12/2004 | Cheng |
| D502,438 S | 3/2005 | Weld |

(57) **CLAIM**

The ornamental design for a wheel, as shown and described.

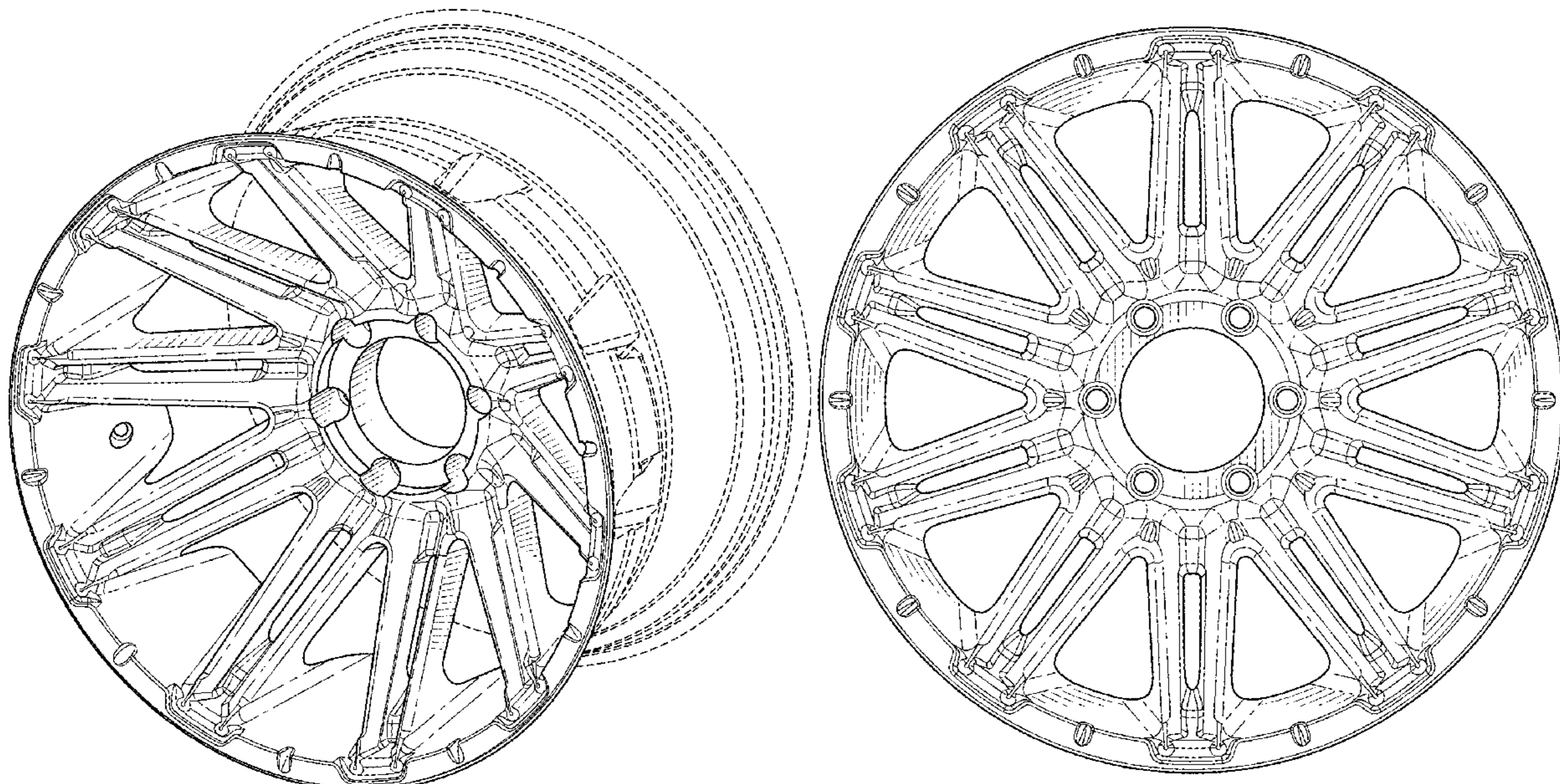
DESCRIPTION

FIG. 1 is a perspective view of a wheel showing my new design; and,

FIG. 2 is a front view thereof.

In the drawings, broken lines shown in the drawings depict environmental subject matter only and form no part of the claimed design.

1 Claim, 2 Drawing Sheets



(56)

References Cited

U.S. PATENT DOCUMENTS

| | | | |
|--------------|---------|-----------------------|---------|
| D702,172 S | 4/2014 | Chung | |
| D702,613 S * | 4/2014 | Scheinutte | D12/211 |
| D704,117 S | 5/2014 | Chung | |
| D704,617 S | 5/2014 | Chung | |
| D706,197 S | 6/2014 | Chung | |
| D707,167 S | 6/2014 | Chung | |
| D709,020 S | 7/2014 | Chung | |
| D713,316 S | 9/2014 | Song | |
| D714,207 S | 9/2014 | Kim | |
| D717,709 S | 11/2014 | Valencia Pollex | |
| D719,893 S | 12/2014 | Kim | |
| D725,019 S * | 3/2015 | Kim | D12/211 |
| D731,946 S | 6/2015 | Chung | |
| D742,293 S | 11/2015 | Chung | |
| D748,035 S * | 1/2016 | Wagener | D12/211 |
| D753,046 S | 4/2016 | Liffick | |
| D755,101 S * | 5/2016 | Gallert | D12/211 |
| D756,882 S | 5/2016 | Tirado | |
| D760,636 S * | 7/2016 | Kolb | D12/211 |
| D766,805 S | 9/2016 | Chung | |
| D769,785 S | 10/2016 | Wells | |
| D780,655 S | 3/2017 | Trim | |
| D791,034 S * | 7/2017 | Rueckheim | D12/209 |
| D791,048 S * | 7/2017 | Valencia Pollex | D12/211 |
| D805,993 S * | 12/2017 | Sempek | D12/211 |
| D822,576 S * | 7/2018 | Austin | D12/211 |
| D844,532 S * | 4/2019 | Austin | D12/211 |
| D845,202 S * | 4/2019 | Battams | D12/209 |
| D867,963 S * | 11/2019 | Battams | D12/209 |

* cited by examiner

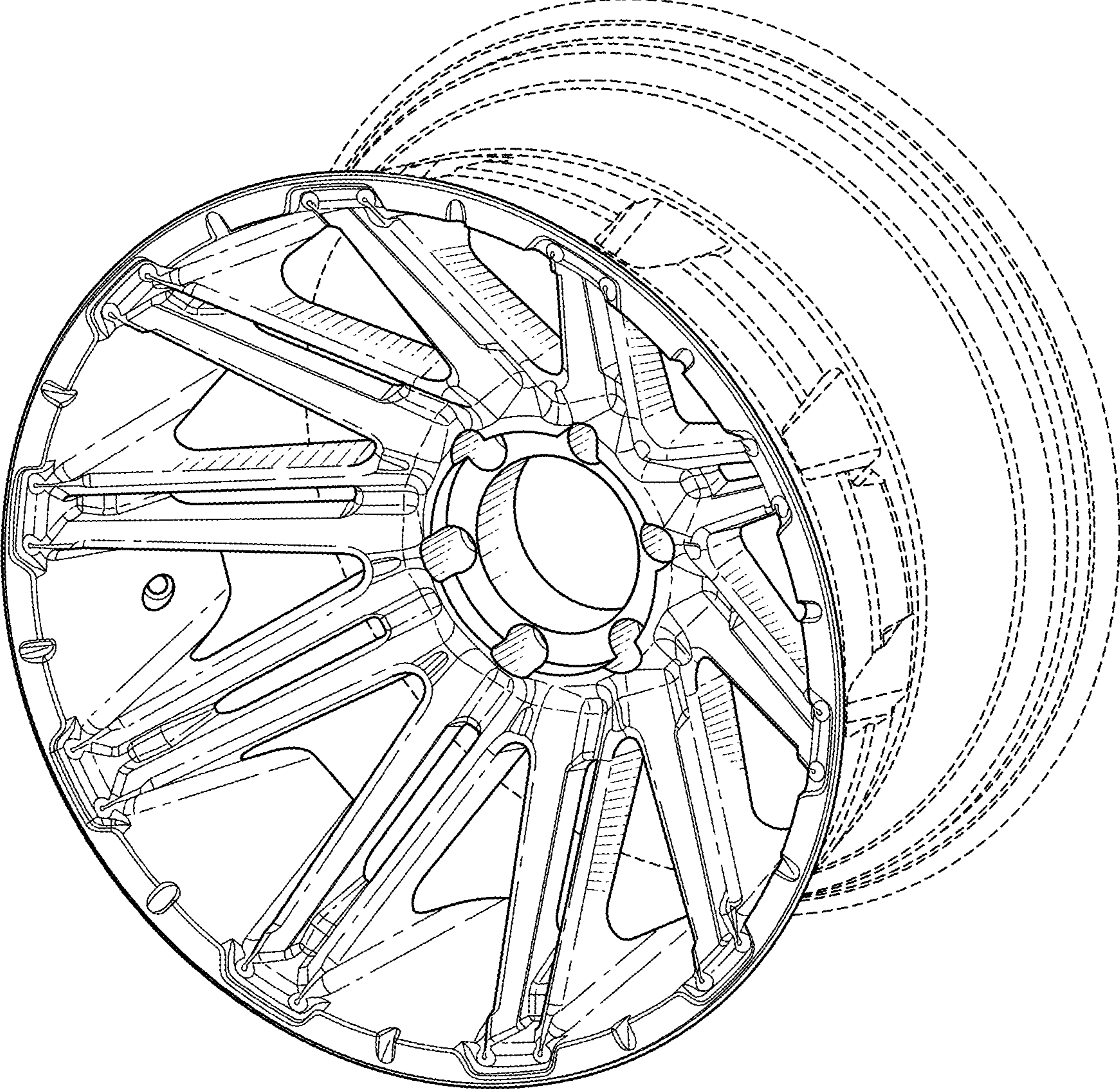


FIG. 1

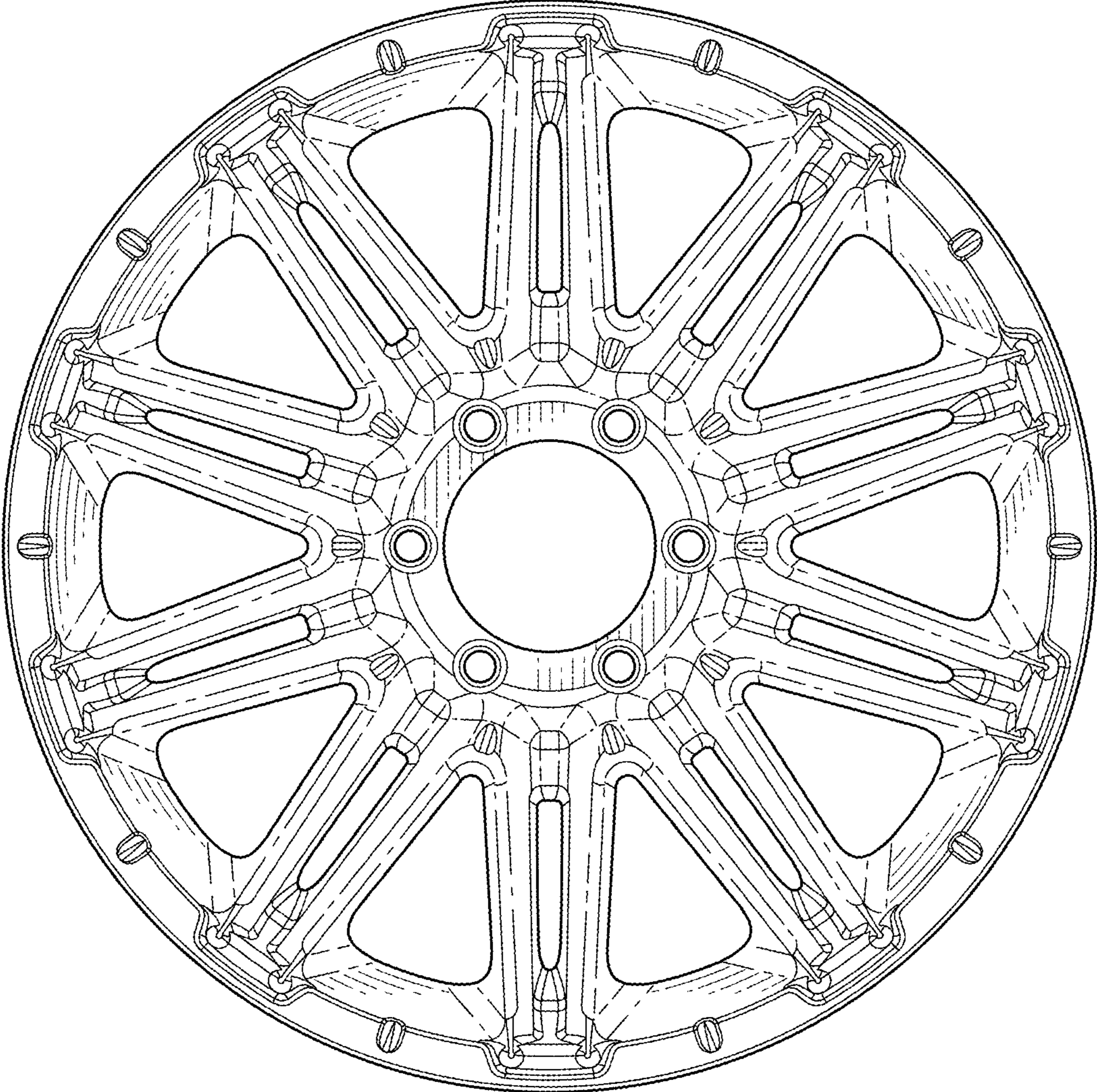


FIG. 2