



US00D898649S

(12) **United States Design Patent**  
**Morse et al.**

(10) **Patent No.:** **US D898,649 S**

(45) **Date of Patent:** **\*\* Oct. 13, 2020**

(54) **BICYCLE RIM**

9,833,954 B2 \* 12/2017 Kybelund ..... B29C 70/543  
D860,897 S \* 9/2019 Morse ..... D12/208

(71) Applicant: **SRAM, LLC**, Chicago, IL (US)

\* cited by examiner

(72) Inventors: **David Morse**, Indianapolis, IN (US);  
**Michael Hall**, Indianapolis, IN (US);  
**Ruan Trouw**, Mooresville, IN (US)

*Primary Examiner* — Stacia A Cadmus

(74) *Attorney, Agent, or Firm* — Quarles & Brady LLP

(73) Assignee: **SRAM, LLC**, Chicago, IL (US)

(\*\*) Term: **15 Years**

(57) **CLAIM**

(21) Appl. No.: **29/630,490**

The ornamental design for a bicycle rim, as shown and described.

(22) Filed: **Dec. 21, 2017**

(51) **LOC (12) Cl.** ..... **12-16**

(52) **U.S. Cl.**  
USPC ..... **D12/208**

**DESCRIPTION**

(58) **Field of Classification Search**  
USPC ..... D12/204–213, 133, 111, 113  
CPC .... B60B 7/00; B60B 7/02; B60B 7/04; B60B  
7/01; B60B 7/06; B60B 3/02; B60B 3/04;  
B60B 3/06; B60B 3/10; B60B 11/06;  
B60B 9/06; B60B 9/26; B60B 1/00;  
B60B 1/08; B60B 1/10; B60B 1/12;  
B60B 1/003; B60B 1/04; B60B 1/02;  
B60B 1/041; B60B 21/02; B29C 70/543  
See application file for complete search history.

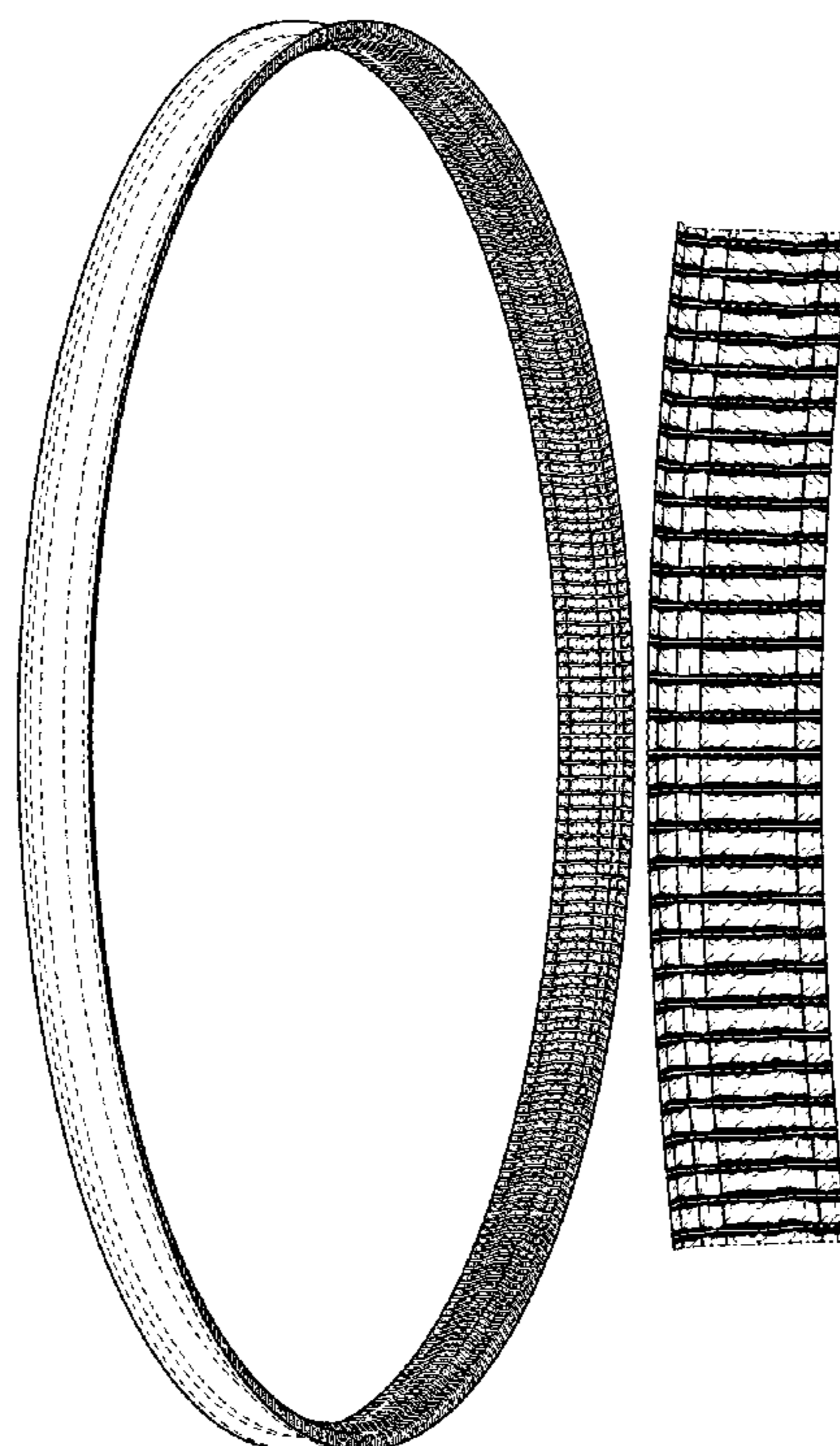
FIG. 1 is a front left isometric view of a bicycle rim;  
FIG. 2 is a top plan view thereof;  
FIG. 3 is a bottom plan view thereof;  
FIG. 4 is left side elevation view thereof;  
FIG. 5 is a right side elevation view thereof;  
FIG. 6 is a front elevation view thereof;  
FIG. 7 is a rear elevation view thereof;  
FIG. 8 is a rear right isometric view thereof; and,  
FIG. 9 is an enlarged view of a portion of the bicycle rim  
indicated by area 9 in FIG. 8.  
The broken lines are included for the purpose of illustrating  
portions that form no part of the claimed design. The  
dash-dot-dash lines are included for the purpose of illustrat-  
ing boundary lines and form no part of the claimed design.

(56) **References Cited**

U.S. PATENT DOCUMENTS

7,377,595 B1 \* 5/2008 Okajima ..... B60B 1/041  
301/58  
9,149,992 B2 \* 10/2015 Yu ..... B60B 21/02

**1 Claim, 7 Drawing Sheets**



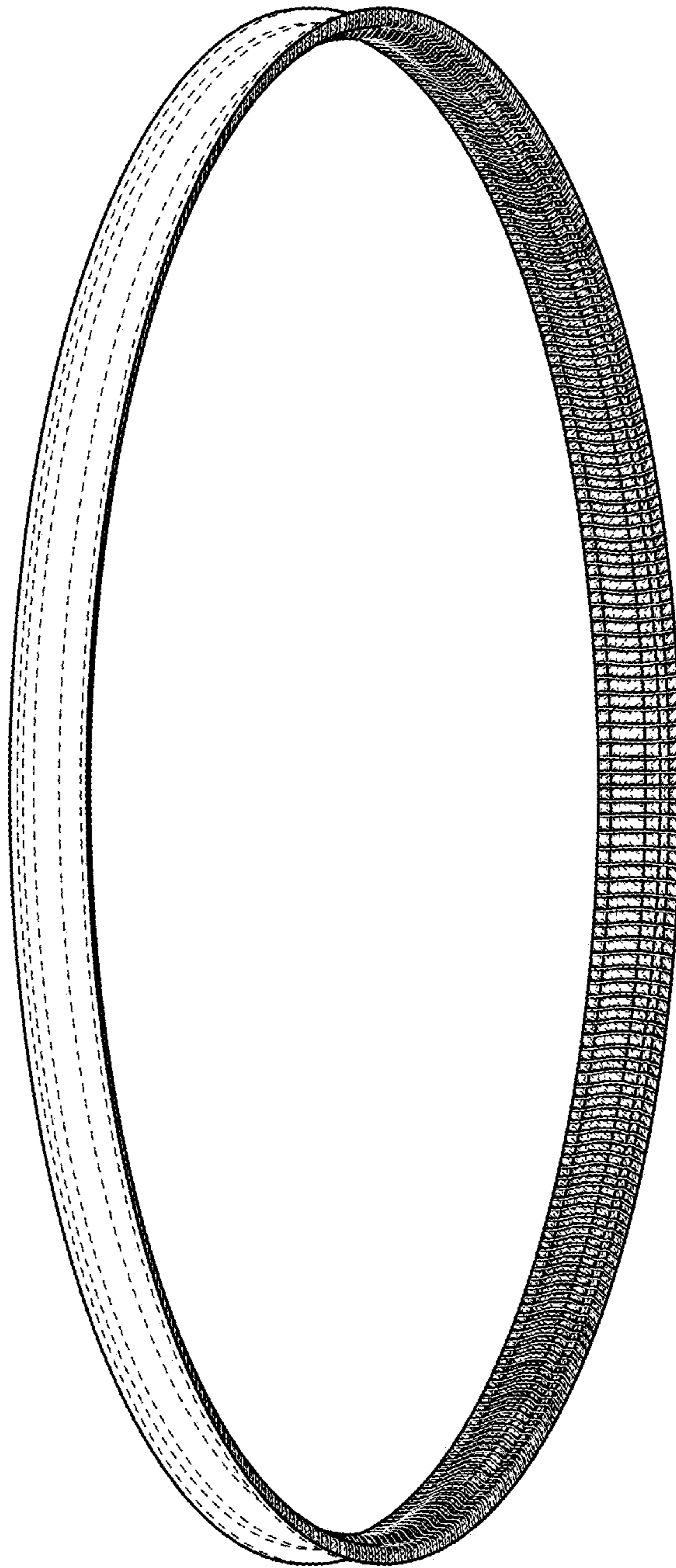


FIG. 1

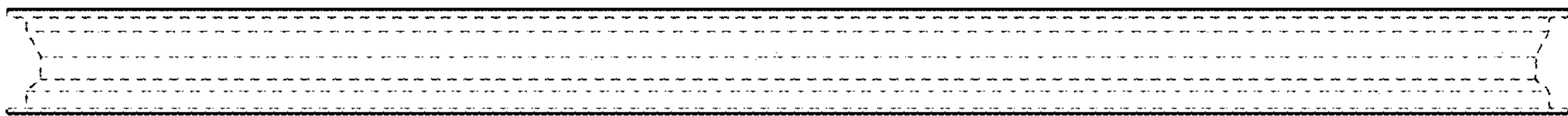


FIG. 2



FIG. 3

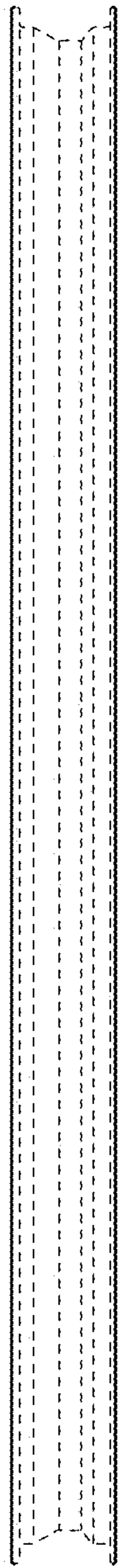


FIG. 4

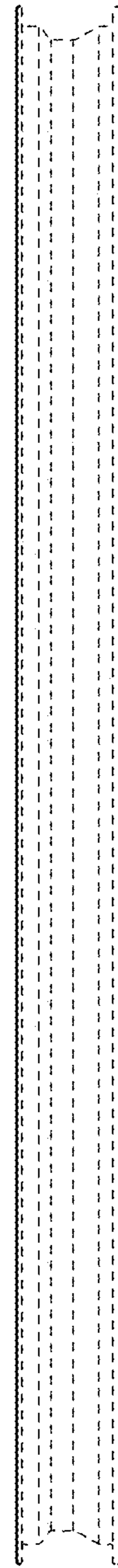


FIG. 5



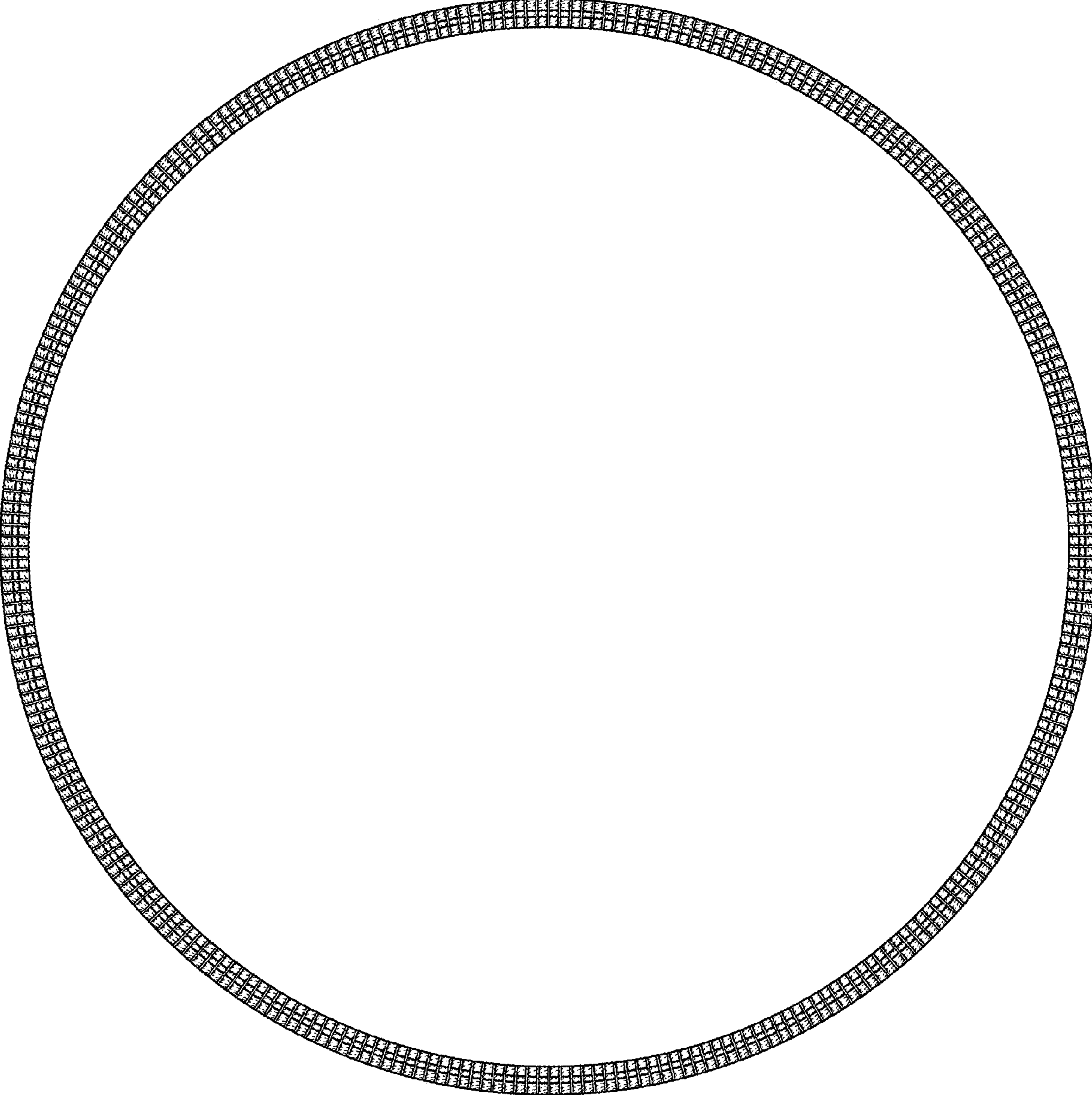


FIG. 6

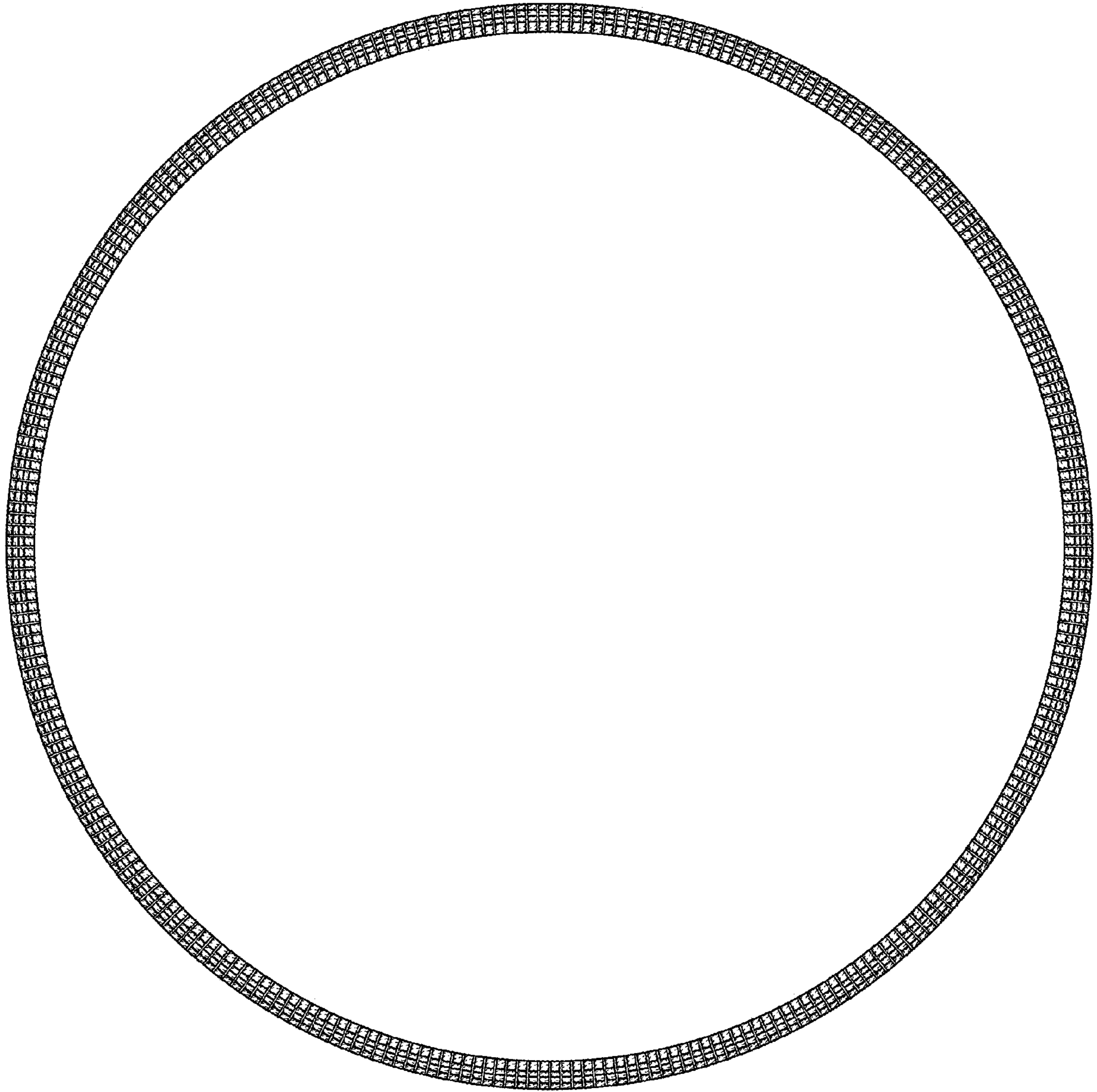


FIG. 7

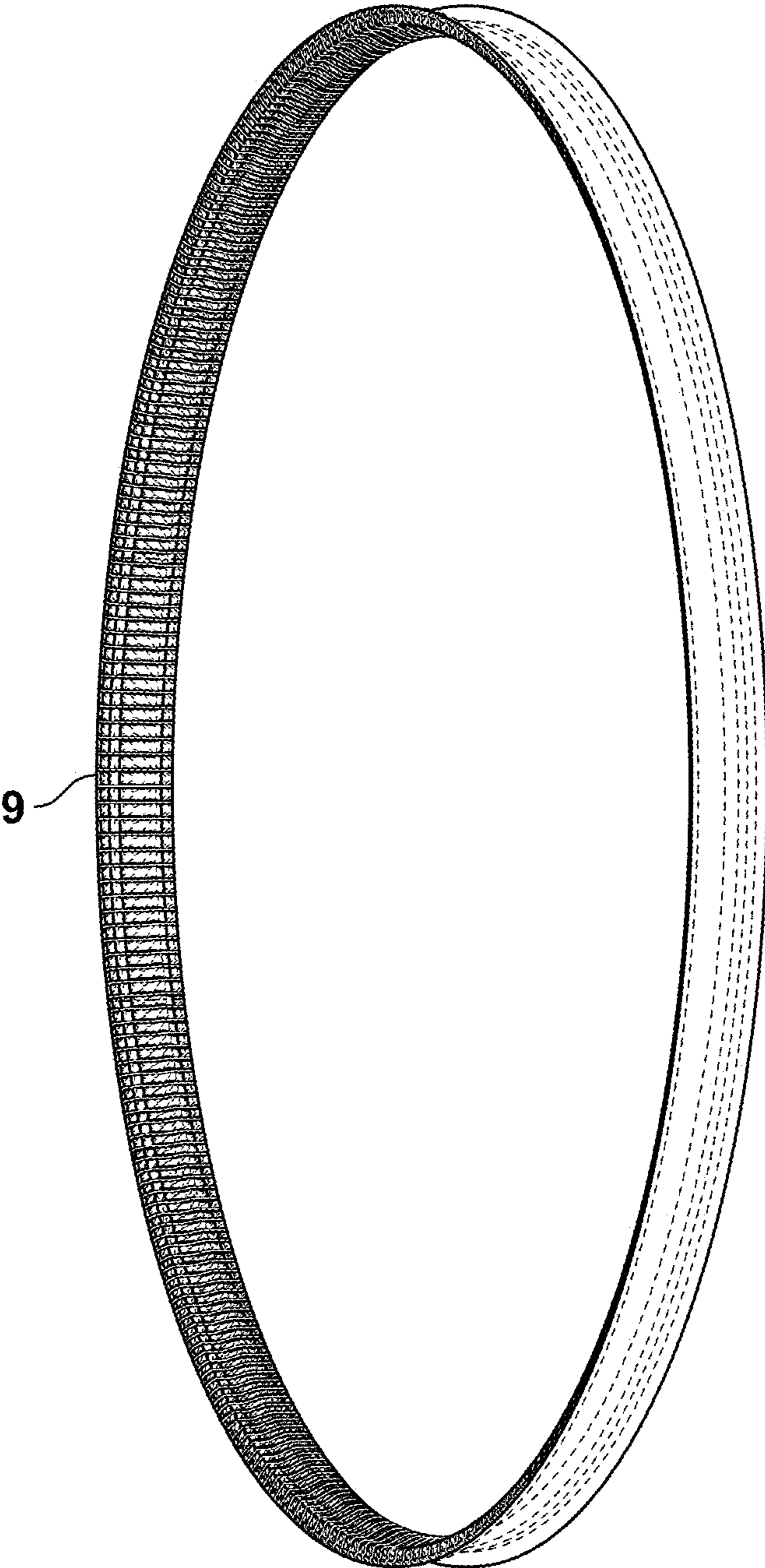


FIG. 8

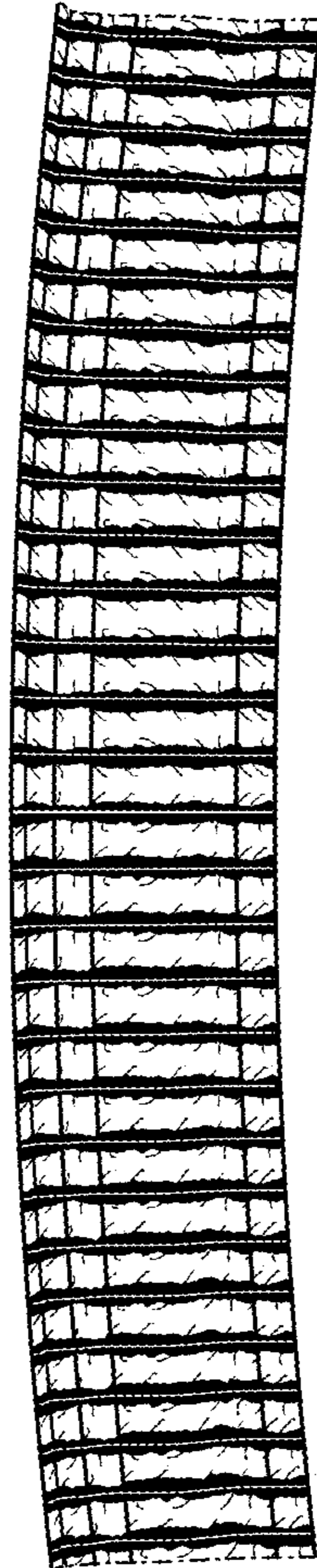


FIG. 9