



US00D898645S

(12) **United States Design Patent** (10) **Patent No.:** **US D898,645 S**
Issa (45) **Date of Patent:** **** Oct. 13, 2020**

(54) **LICENSE PLATE COVER**
(71) Applicant: **Ahmed Issa Issa**, Anaheim, CA (US)
(72) Inventor: **Ahmed Issa Issa**, Anaheim, CA (US)
(**) Term: **15 Years**
(21) Appl. No.: **29/656,692**
(22) Filed: **Jul. 16, 2018**
(51) **LOC (12) Cl.** **12-16**
(52) **U.S. Cl.**
USPC **D12/193**
(58) **Field of Classification Search**
USPC D12/193; D6/300, 301, 302, 310, 311,
D6/312, 313, 314; D20/13
CPC B60R 13/10; B60R 13/105; B60R 19/24;
B60R 19/52
See application file for complete search history.

D412,876 S 8/1999 Crecelius
D415,987 S * 11/1999 Romero D12/193
D460,394 S 7/2002 Wang
6,848,204 B1 2/2005 Nowak
D545,259 S * 6/2007 Stahel, Jr. D12/193
D557,647 S * 12/2007 Parenti D12/193
D623,105 S * 9/2010 Aneiros D12/193
D625,234 S * 10/2010 Vuletic D12/193
D655,348 S 3/2012 Cooper
D662,016 S * 6/2012 Worthington D12/193
8,931,191 B2 1/2015 Masanek, Jr. et al.
D758,267 S * 6/2016 Marko, Jr. D12/193
D824,307 S * 7/2018 Spencer D12/193
D847,713 S * 5/2019 Swisher D12/193
2011/0289806 A1 * 12/2011 Kuo B60R 13/105
40/204
2012/0279099 A1 * 11/2012 Kuo B60R 13/105
40/209

* cited by examiner

Primary Examiner — Natasha Vujcic
(74) *Attorney, Agent, or Firm* — Dunlap Bennett & Ludwig, PLLC

(56) **References Cited**
U.S. PATENT DOCUMENTS

1,086,937 A 2/1914 Ratterree et al.
D125,239 S 2/1941 Lapidus
D160,496 S 10/1950 Harmer
2,827,722 A 3/1958 Leclerc et al.
2,921,395 A 1/1960 Louis et al.
4,182,062 A 1/1980 Krokos et al.
D285,504 S 9/1986 Messer
D311,167 S 10/1990 Ching-Hwei
D313,787 S 1/1991 Williams
5,012,602 A 5/1991 Storey
D342,929 S * 1/1994 Spencer D12/193
5,404,664 A 4/1995 Brooks et al.
D360,479 S 7/1995 Howard
5,488,790 A 2/1996 Blauer
D370,450 S * 6/1996 Doan D12/193
D408,341 S 4/1999 Spencer
D411,500 S * 6/1999 Steinhagen D12/193
D412,147 S * 7/1999 Steinhagen D12/193

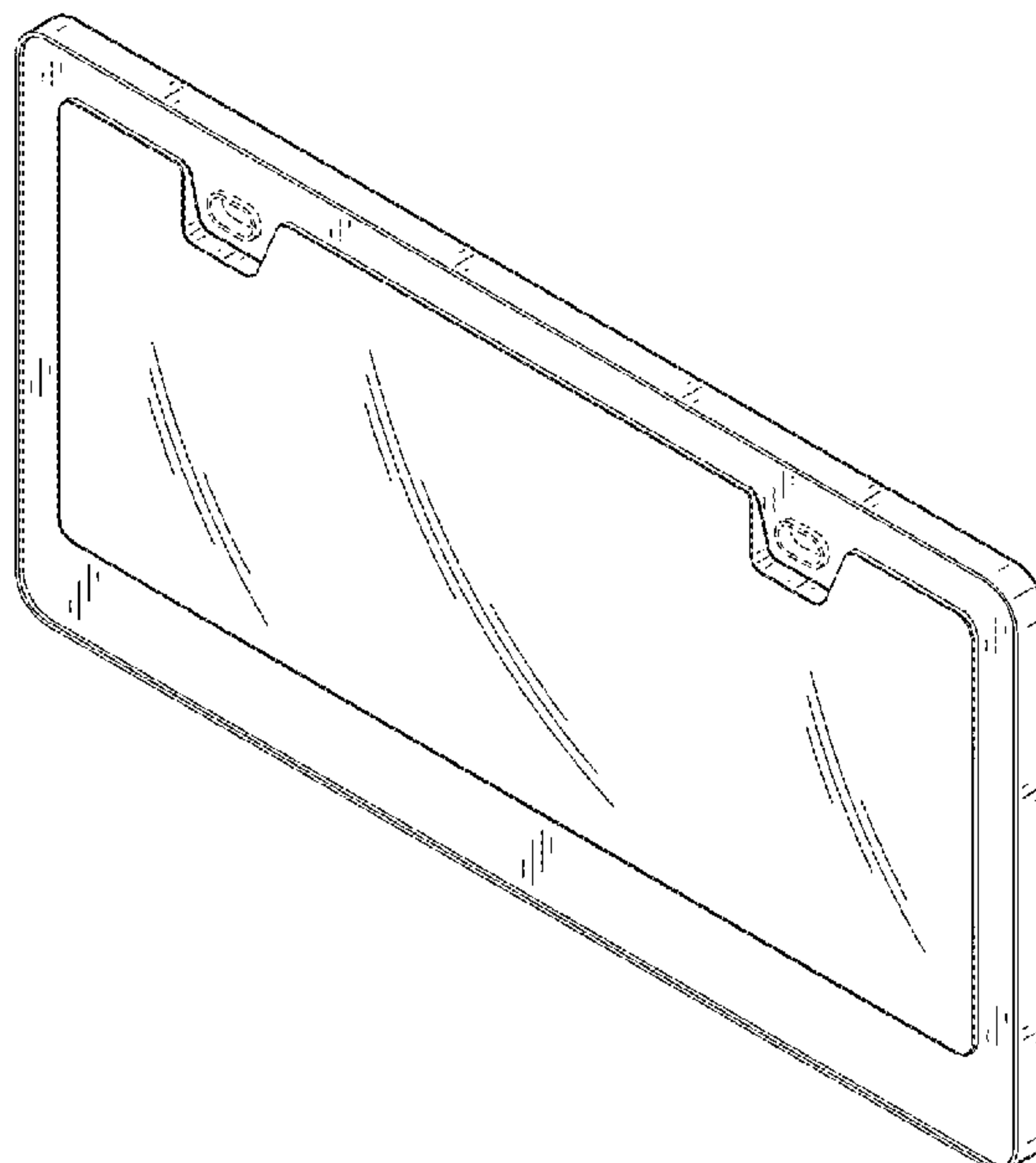
(57) **CLAIM**

The ornamental design for a license plate cover, as shown and described.

DESCRIPTION

FIG. 1 is a front perspective view of a license plate cover, showing my new design;
FIG. 2 is a front elevation view thereof;
FIG. 3 is a rear elevation view thereof;
FIG. 4 is a left side elevation view thereof, the right side elevation being a mirror image thereof;
FIG. 5 is a top plan view thereof; and,
FIG. 6 is a bottom plan view thereof.
The broken lines in the drawings depict portions of the license plate cover that form no part of the claimed design.

1 Claim, 3 Drawing Sheets



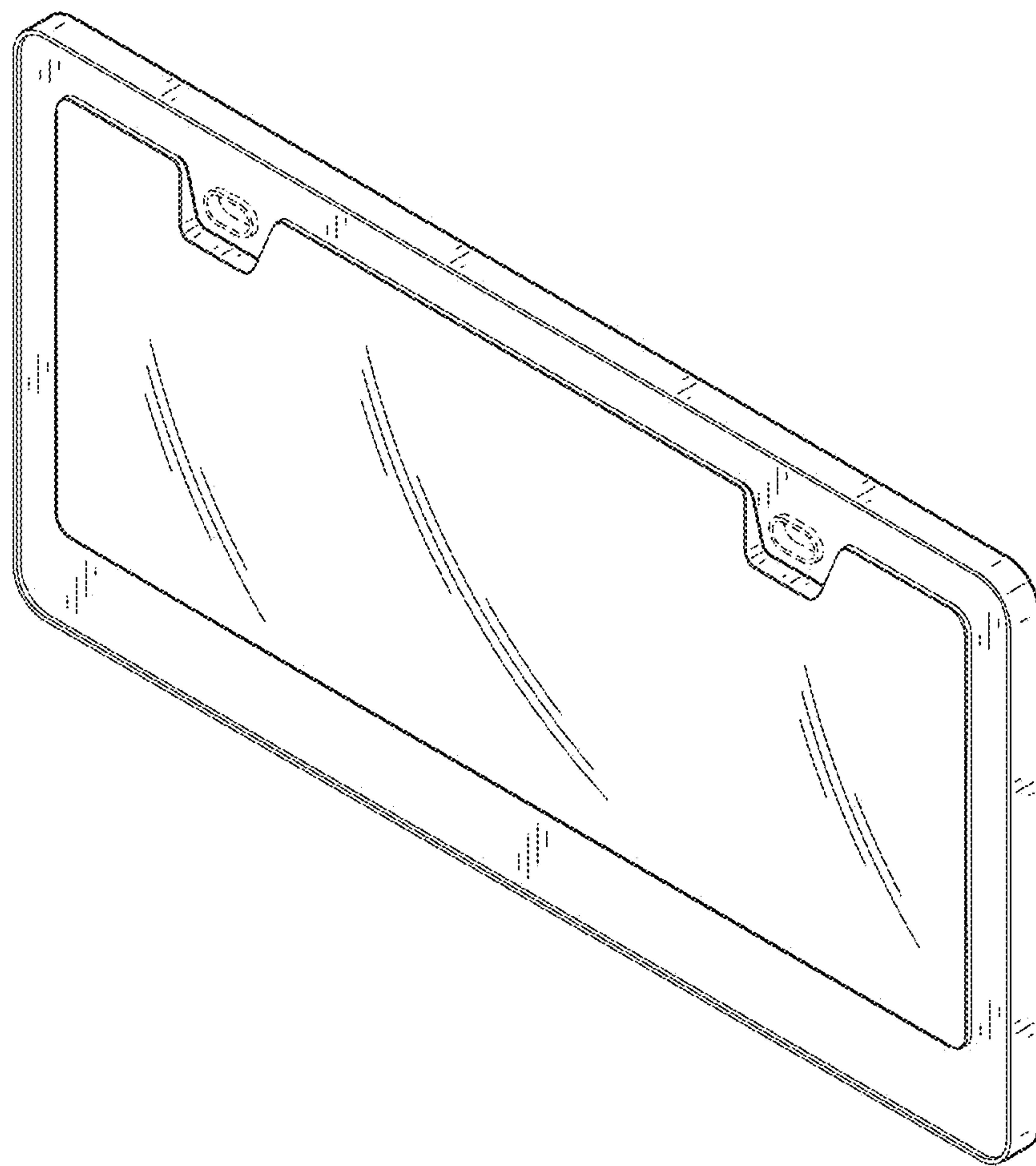


FIG. 1

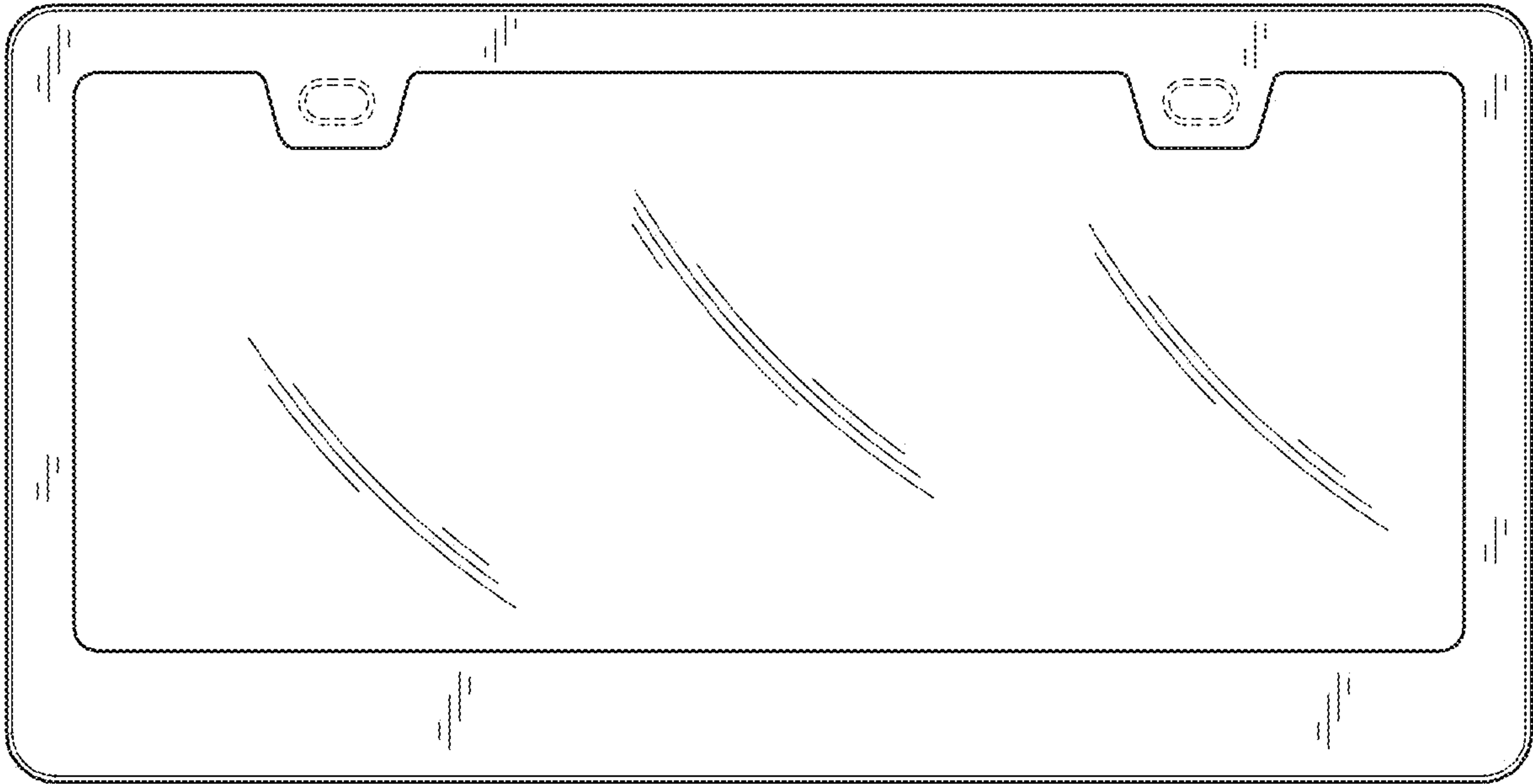


FIG. 2

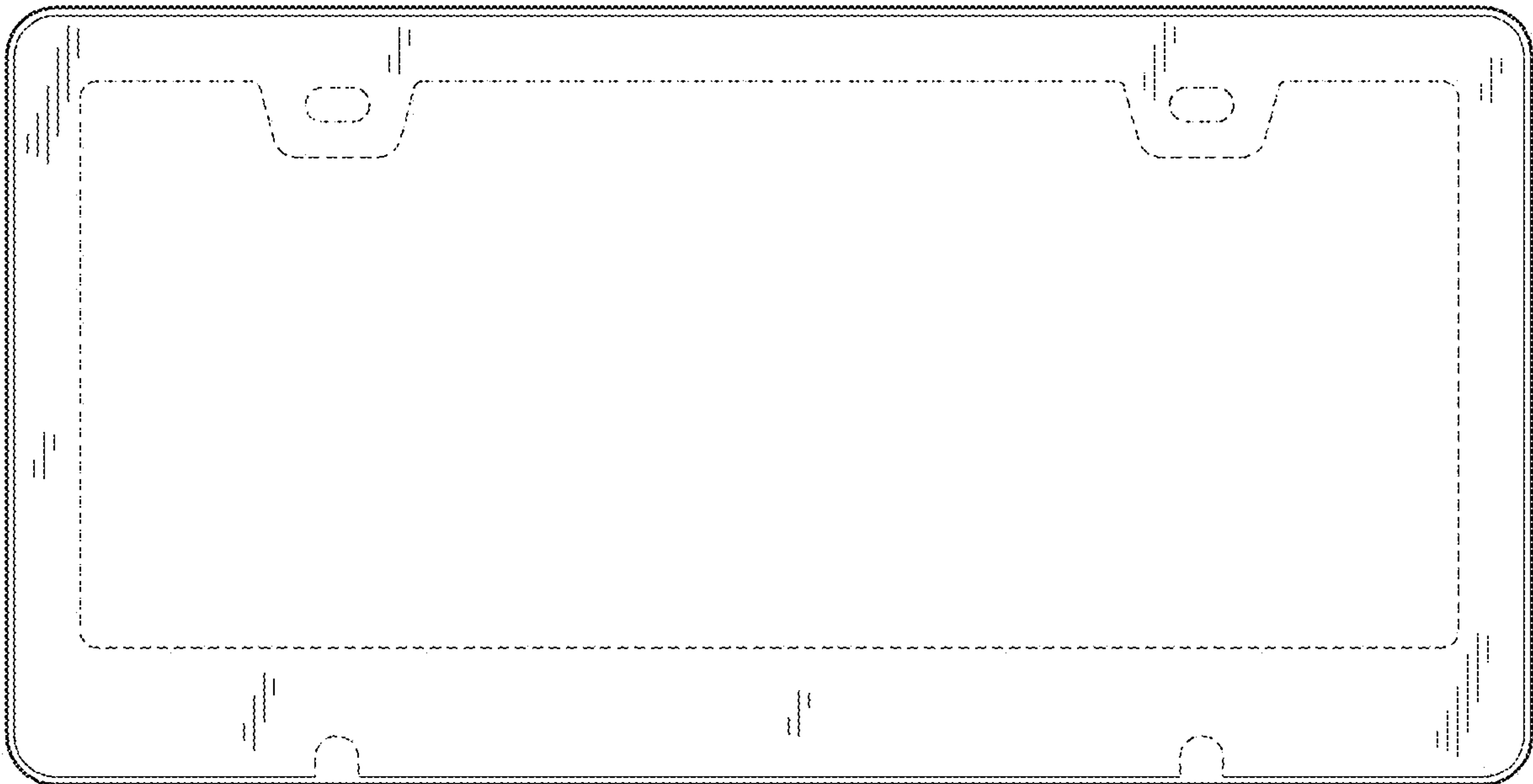


FIG. 3

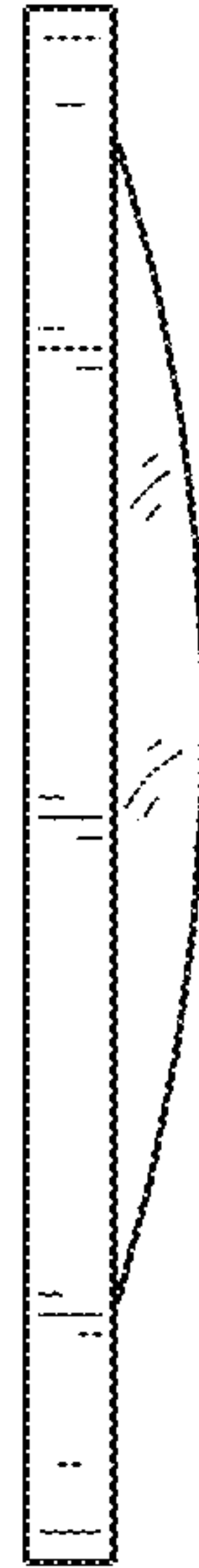


FIG. 4

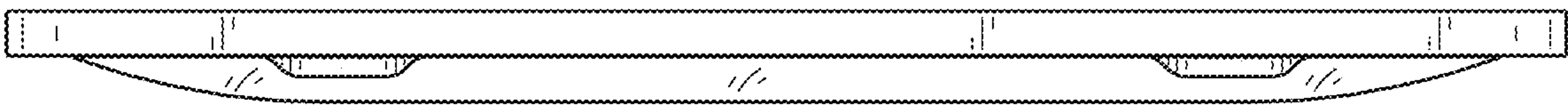


FIG. 5



FIG. 6