



US00D898642S

(12) **United States Design Patent**
Yang et al.

(10) **Patent No.:** **US D898,642 S**

(45) **Date of Patent:** **** Oct. 13, 2020**

(54) **REAR VIEW MIRROR**

(71) Applicant: **GUANGZHOU ISSYZONE TECHNOLOGY CO., LIMITED,**
Guangzhou (CN)

(72) Inventors: **Taiping Yang,** Guangzhou (CN); **Zhuo Jia,** Guangzhou (CN)

(**) Term: **15 Years**

(21) Appl. No.: **29/631,311**

(22) Filed: **Dec. 28, 2017**

(51) **LOC (12) Cl.** **12-16**

(52) **U.S. Cl.**
USPC **D12/187**

(58) **Field of Classification Search**
USPC D6/300-314; D24/158, 159, 160, 161,
D24/185, 186, 107, 231; D12/114, 187,
D12/188, 189, 406-414, 414.1;
D8/52-54, 71-74, 394, 396
CPC B60R 1/066; B60R 1/006; B60R 1/02;
B60R 1/12

See application file for complete search history.

(56) **References Cited**

U.S. PATENT DOCUMENTS

D332,246 S *	1/1993	Yeh	D12/187
D397,072 S *	8/1998	Hellhake	D12/187
D556,106 S *	11/2007	Carter	D12/187
D610,060 S *	2/2010	Meier	D12/187
D661,234 S *	6/2012	De Wind	D12/187
D690,246 S *	9/2013	Giordano	D12/187
D727,812 S *	4/2015	Hanson	D12/187

D742,291 S *	11/2015	Sharma	D12/187
D775,519 S *	1/2017	May	D8/396
D808,889 S *	1/2018	Puchkoff	D12/406
D815,576 S *	4/2018	Chiang	D12/187
D826,103 S *	8/2018	Reano	D12/114
D834,476 S *	11/2018	Tang	D12/187
D839,788 S *	2/2019	Keller	D12/114
D839,789 S *	2/2019	Keller	D12/114
D865,599 S *	11/2019	Hamlin	D12/187
D865,969 S *	11/2019	Deng	D24/158
D879,484 S *	3/2020	Jiao	D6/312
2012/0305614 A1 *	12/2012	Lee	F16M 13/02 224/545

* cited by examiner

Primary Examiner — Susan E Krakower

Assistant Examiner — Jerry Shiuan-Hua Hsu

(74) *Attorney, Agent, or Firm* — Novoclaims Patent Services LLC; Mei Lin Wong

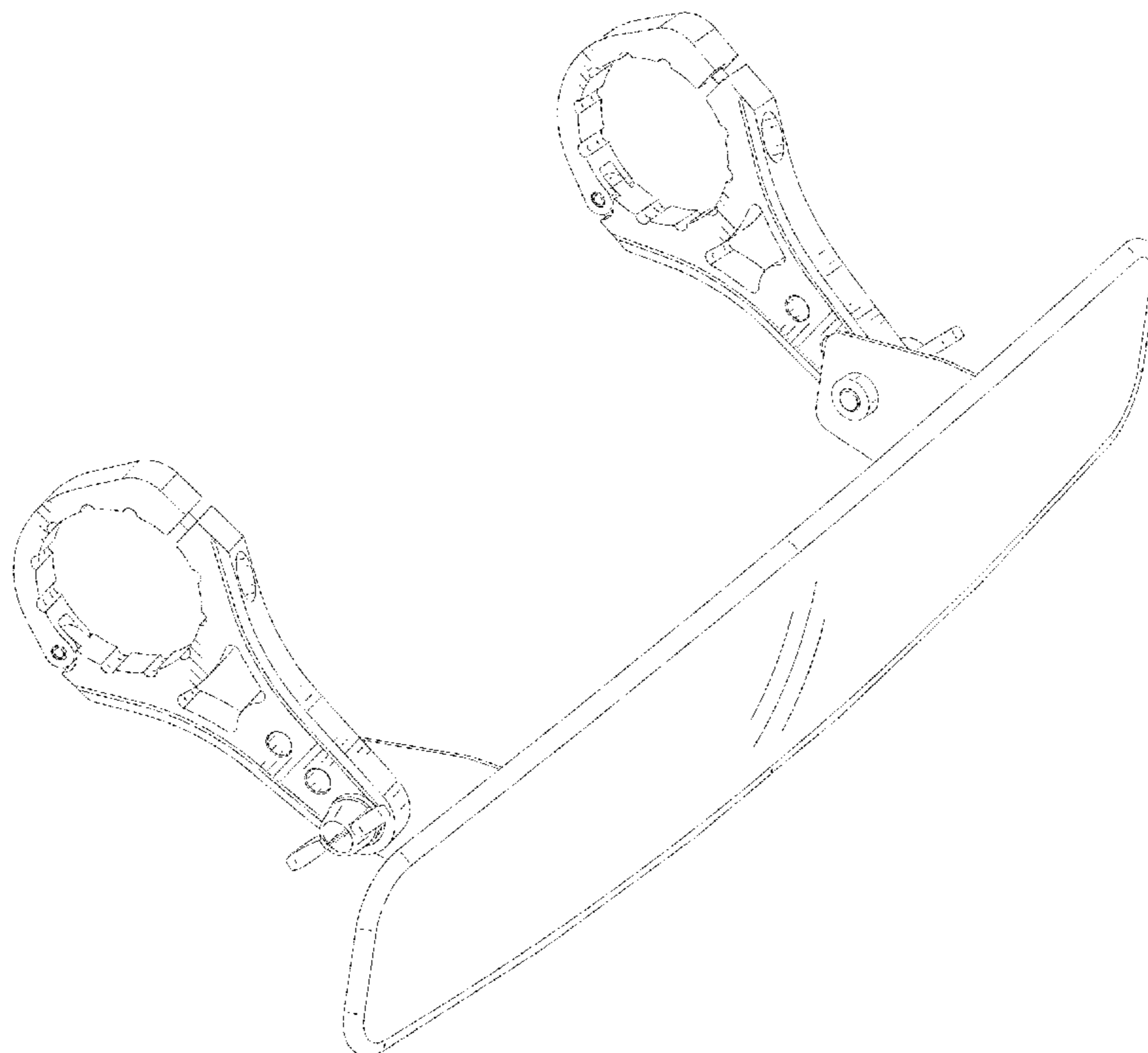
(57) **CLAIM**

The ornamental design for a rear view mirror, as shown and described.

DESCRIPTION

FIG. 1 is a front perspective view of a rear view mirror showing my new design;
FIG. 2 is a rear perspective view thereof;
FIG. 3 is a front view thereof;
FIG. 4 is a rear view thereof;
FIG. 5 is a left side view thereof;
FIG. 6 is a right side view thereof;
FIG. 7 is a top view thereof; and,
FIG. 8 is a bottom view thereof.

1 Claim, 8 Drawing Sheets



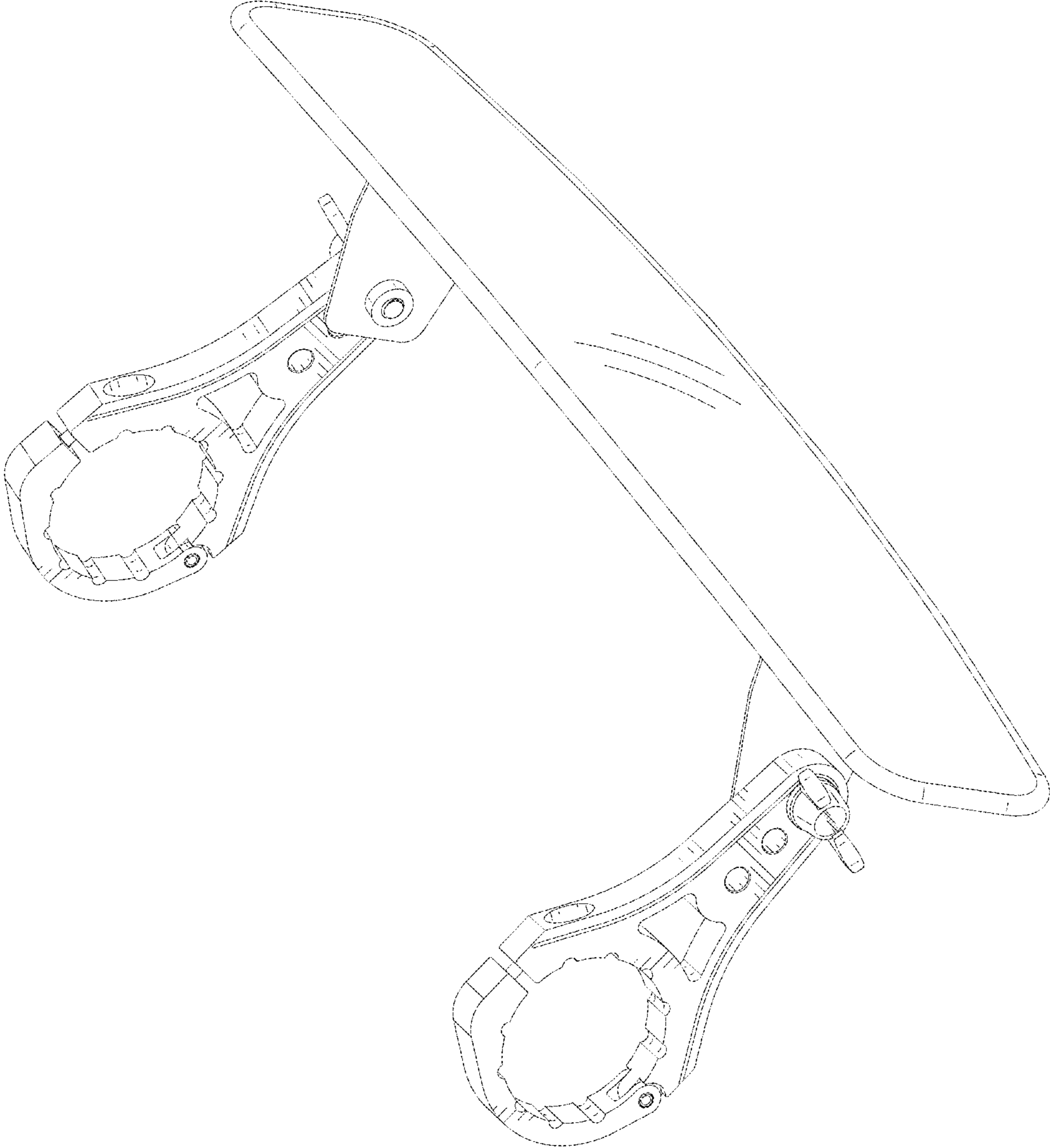


FIG.1

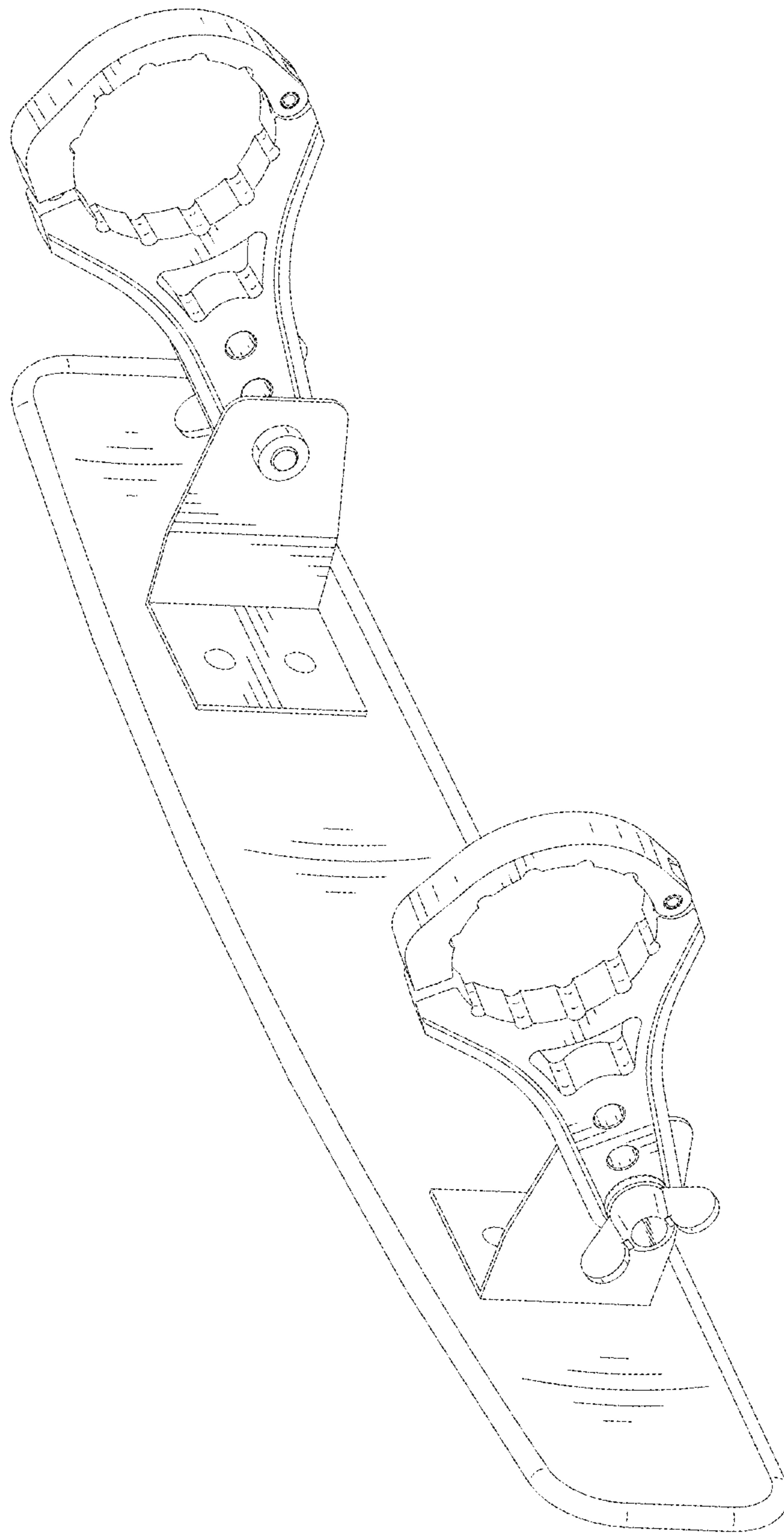


FIG.2

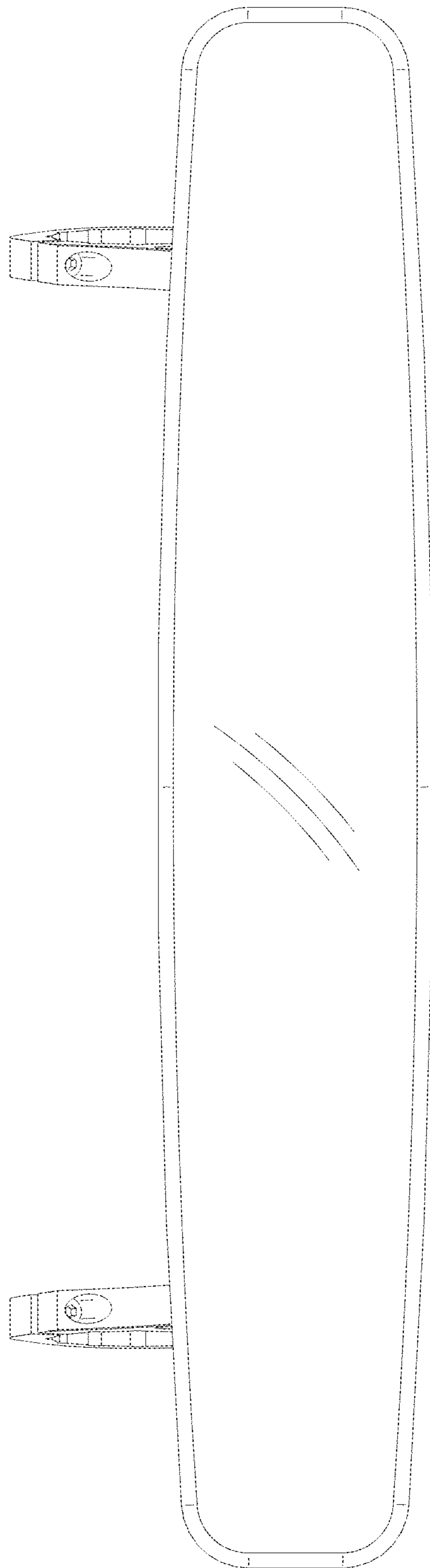


FIG.3

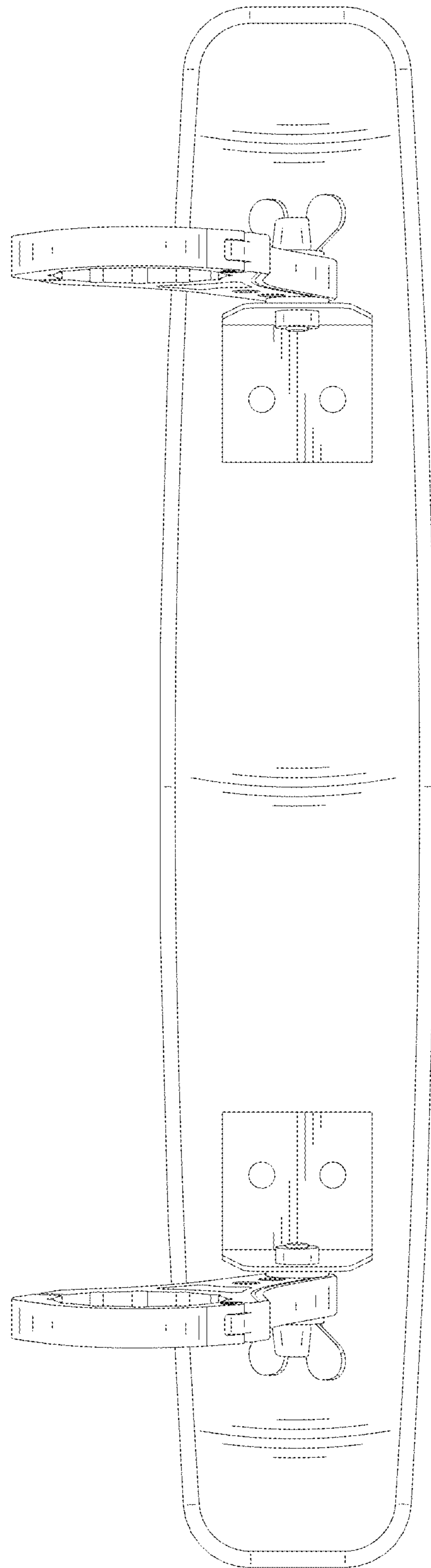


FIG.4

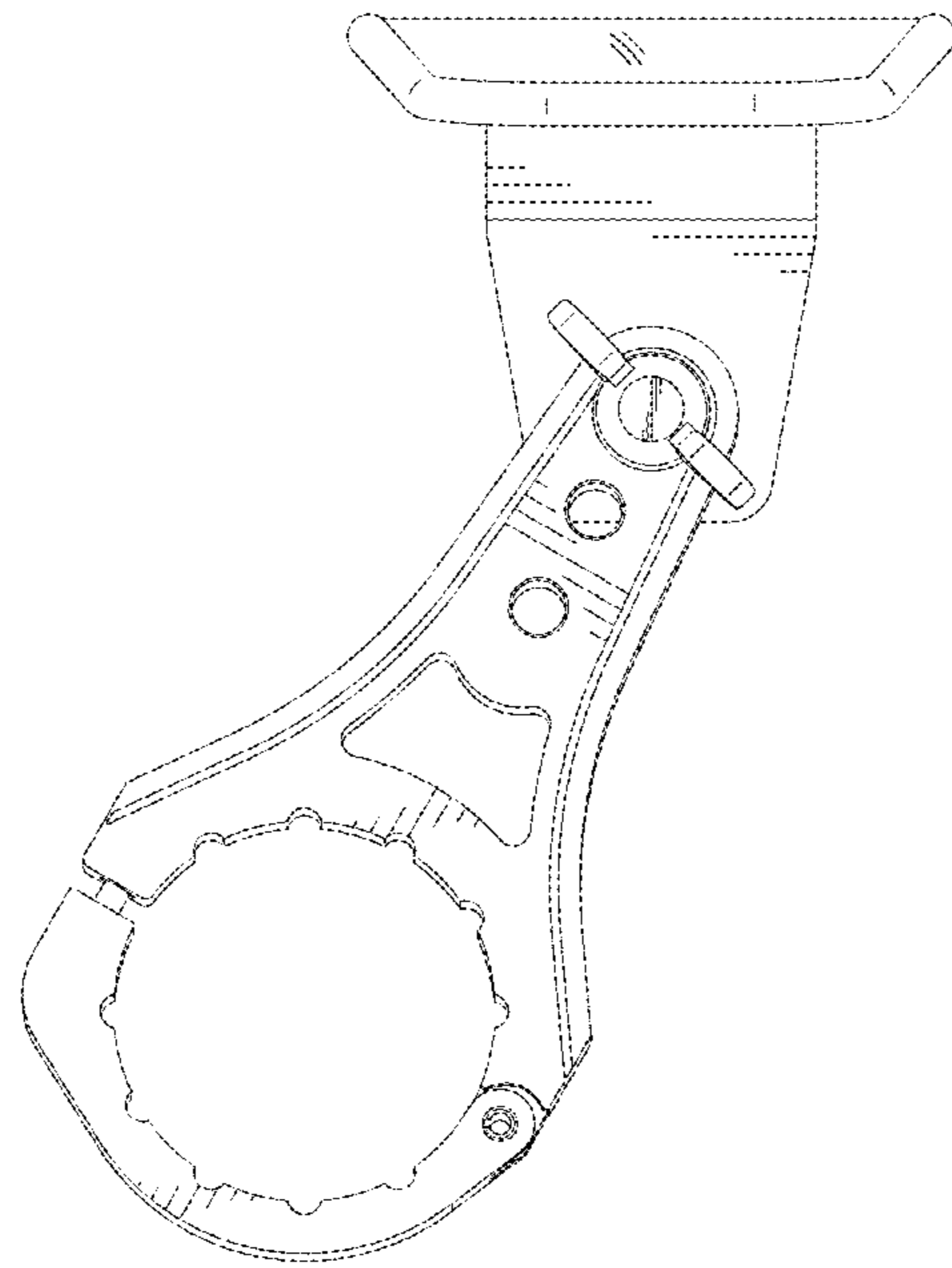


FIG. 5

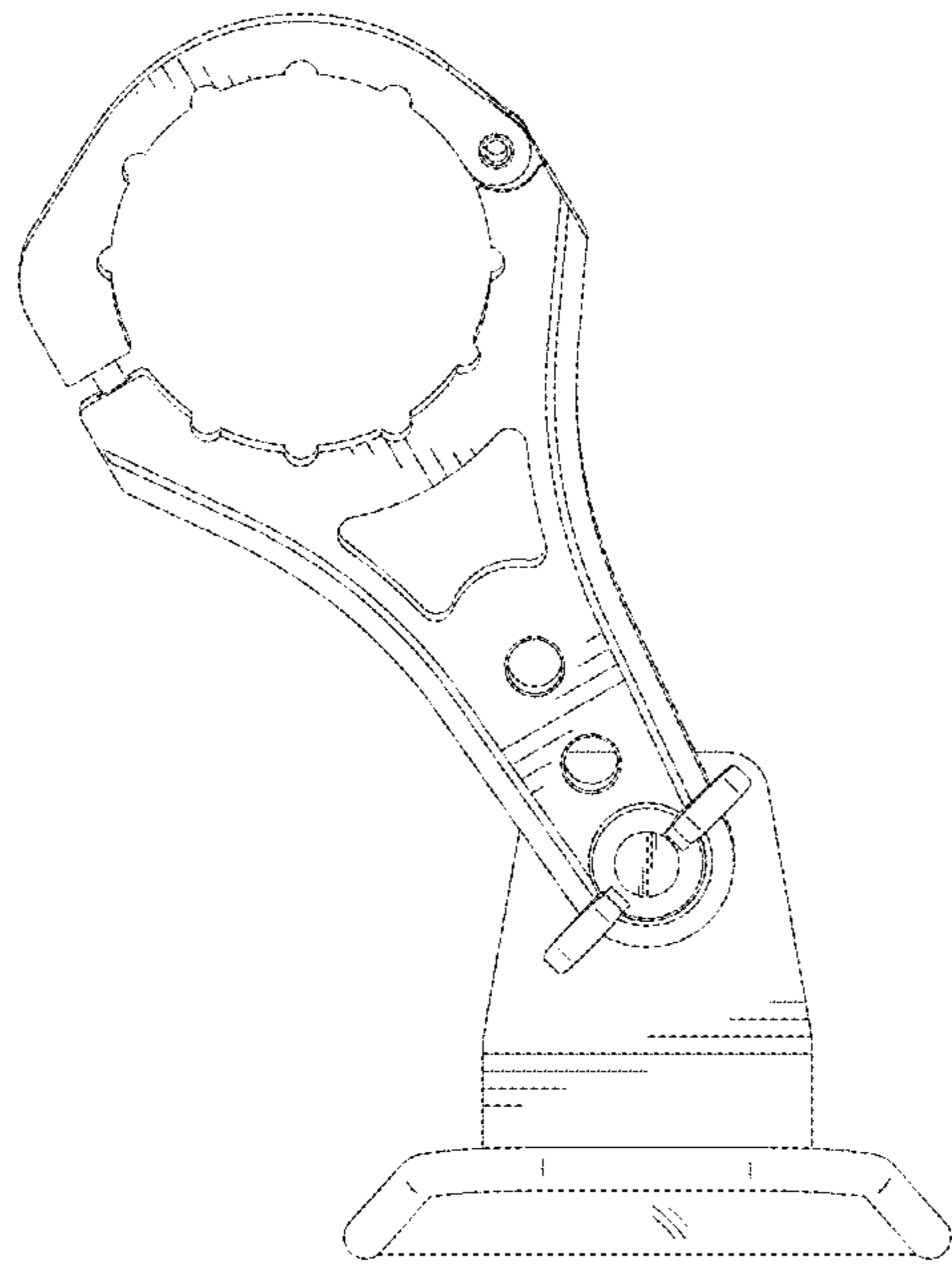


FIG.6

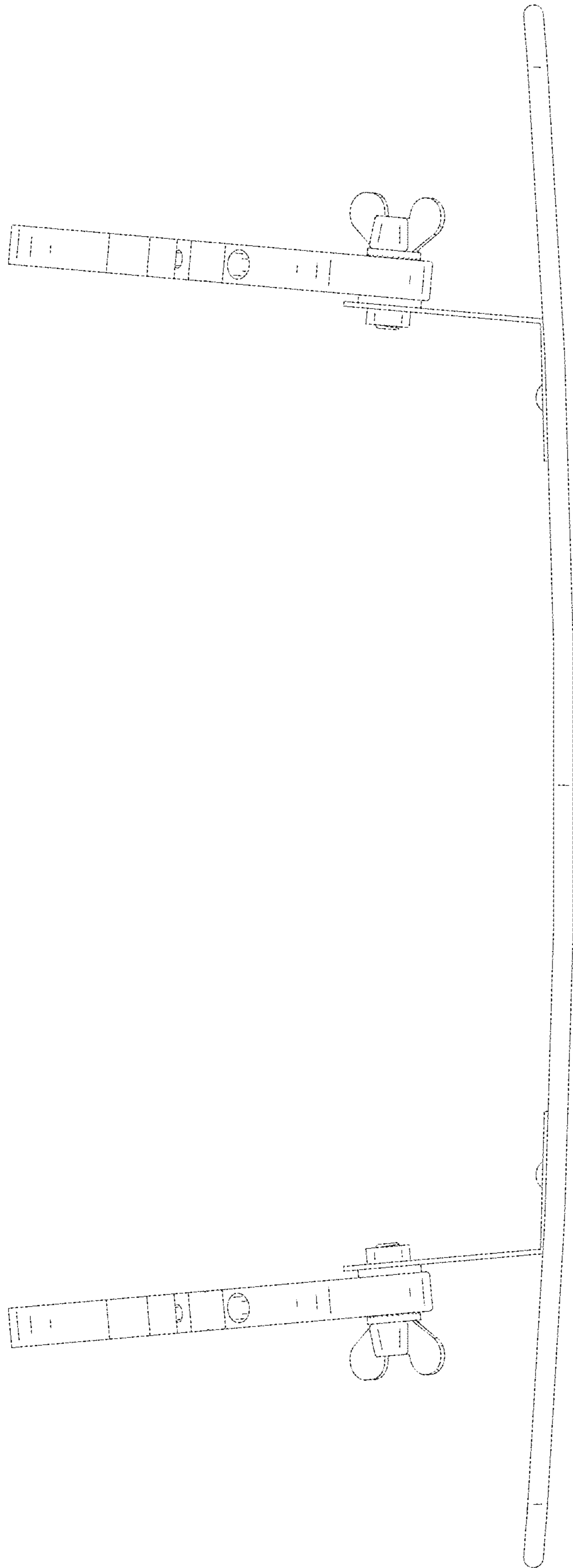


FIG.7

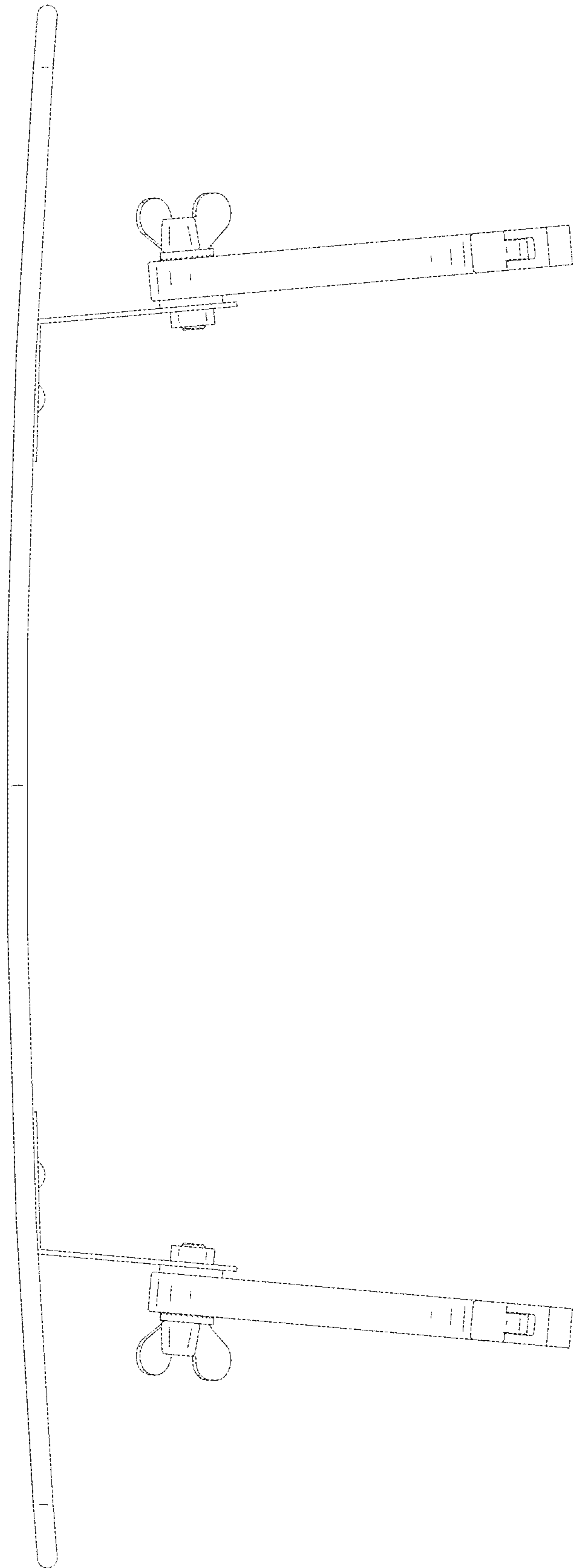


FIG.8