



US00D898641S

(12) **United States Design Patent** (10) **Patent No.:** **US D898,641 S**  
**Wiltshire et al.** (45) **Date of Patent:** **\*\* Oct. 13, 2020**

(54) **VEHICLE FENDER**  
(71) Applicant: **Jaguar Land Rover Limited**, Whitley, Coventry (GB)  
(72) Inventors: **Julian Wiltshire**, Coventry (GB); **Massimo Frascella**, Coventry (GB)  
(73) Assignee: **Jaguar Land Rover Limited**, Whitley, Coventry (GB)  
(\*\*) Term: **15 Years**  
(21) Appl. No.: **29/725,669**  
(22) Filed: **Feb. 26, 2020**

**Related U.S. Application Data**

(62) Division of application No. 29/626,519, filed on Nov. 17, 2017, now Pat. No. Des. 876,999.

**Foreign Application Priority Data**

May 17, 2017 (EM) ..... 004006575  
May 17, 2017 (EM) ..... 004006609  
May 17, 2017 (EM) ..... 004006617

(51) **LOC (12) Cl.** ..... **12-16**  
(52) **U.S. Cl.**  
USPC ..... **D12/184**  
(58) **Field of Classification Search**  
USPC ..... D12/114, 181, 184, 196; D15/28  
CPC ..... B62D 25/16; B62D 25/18  
See application file for complete search history.

**References Cited**

**U.S. PATENT DOCUMENTS**

4,322,106 A † 3/1982 Nespor ..... B60R 19/02  
293/121  
7,311,352 B2 † 12/2007 Flotzinger ..... B60R 19/04  
293/115

D720,265 S † 12/2014 Galante ..... D12/169  
8,972,116 B2 † 3/2015 Leach ..... B60R 19/02  
701/45  
9,016,766 B2 † 4/2015 Silva ..... B60R 19/12  
296/187.09  
D734,230 S † 7/2015 Wheel ..... D12/196  
9,199,293 B2 † 12/2015 Joyce ..... B21D 11/10  
D746,722 S † 1/2016 Henstridge ..... D12/91  
D750,532 S † 3/2016 Frascella ..... D12/91  
9,278,716 B1 \* 3/2016 Joseph ..... B62D 25/18  
D756,870 S \* 5/2016 Tsutamori ..... D12/184  
9,327,768 B2 † 5/2016 Donabedian ..... B62D 25/02  
D758,935 S \* 6/2016 Platto ..... D12/184  
9,403,557 B1 \* 8/2016 Sharma ..... C21D 1/06  
9,487,238 B2 \* 11/2016 Iwano ..... B62D 25/025  
D775,031 S \* 12/2016 Frascella ..... D12/184

(Continued)

*Primary Examiner* — Susan Bennett Hattan

*Assistant Examiner* — Suzanne E Tisdell

(74) *Attorney, Agent, or Firm* — Wood Herron & Evans LLP

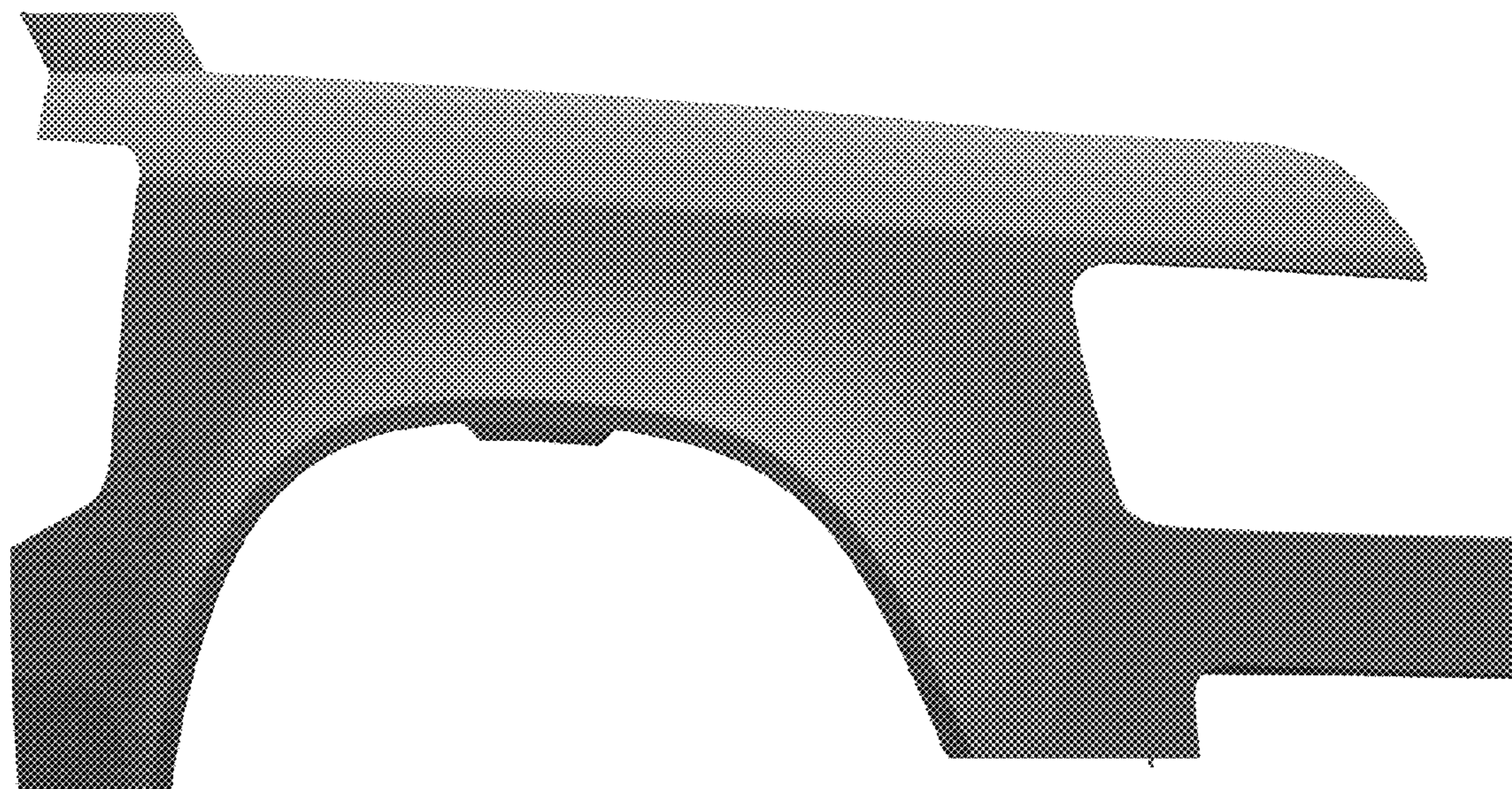
(57) **CLAIM**

The ornamental design for a vehicle fender, as shown and described.

**DESCRIPTION**

FIG. 1 is a front right perspective view of a vehicle fender according to the present invention.  
FIG. 2 is a front left perspective view of the fender shown in FIG. 1.  
FIG. 3 is a rear left perspective view thereof.  
FIG. 4 is a rear right perspective view thereof.  
FIG. 5 is a front view thereof.  
FIG. 6 is a rear view thereof.  
FIG. 7 is a left side view thereof.  
FIG. 8 is a right side view thereof.  
FIG. 9 is a top view thereof; and,  
FIG. 10 is a bottom view thereof.

**1 Claim, 10 Drawing Sheets**



(56)

## References Cited

## U.S. PATENT DOCUMENTS

D787,395 S \* 5/2017 Curic ..... D12/181  
D788,643 S ‡ 6/2017 Bucher ..... D12/91  
9,669,876 B2 \* 6/2017 Iwano ..... B62D 25/04  
D793,907 S ‡ 8/2017 Woolley ..... D12/91  
9,738,322 B2 \* 8/2017 Matthiessen ..... B62D 25/02  
D803,119 S \* 11/2017 Beermann ..... D12/184  
D803,741 S \* 11/2017 Tsubaki ..... D12/184  
D805,013 S \* 12/2017 Whitla ..... D12/181  
D805,959 S ‡ 12/2017 Wheel ..... D12/91  
D806,622 S \* 1/2018 Granlund ..... D12/184  
D807,261 S \* 1/2018 Zavatski ..... D12/184  
9,890,966 B2 \* 2/2018 Mueller ..... B62D 25/16  
D813,097 S ‡ 3/2018 Szavits ..... D12/91  
D817,815 S ‡ 5/2018 Hubers ..... D12/91  
D817,829 S \* 5/2018 Behmer ..... D12/184  
D818,399 S ‡ 5/2018 Frascella ..... D12/91  
D818,879 S ‡ 5/2018 Kochi ..... D12/91  
D820,160 S ‡ 6/2018 Smock ..... D12/91  
D820,163 S ‡ 6/2018 Woodhouse ..... D12/91  
D820,175 S ‡ 6/2018 Ishigaki ..... D12/169  
D820,730 S ‡ 6/2018 Wang ..... D12/91  
D820,751 S \* 6/2018 Luk ..... D12/184  
D821,266 S ‡ 6/2018 Hagino ..... D12/91  
D823,741 S \* 7/2018 Kim ..... D12/169  
10,023,241 B2 \* 7/2018 Umemoto ..... B62D 25/161  
10,035,543 B2 \* 7/2018 Sato ..... B62D 25/2036  
D826,811 S \* 8/2018 Lim ..... D12/184  
D827,527 S \* 9/2018 Loeb ..... D12/184  
D827,528 S \* 9/2018 Gueler ..... D12/184  
D827,529 S \* 9/2018 Al Attar ..... D12/184  
D828,254 S \* 9/2018 Simm ..... D12/184  
10,077,085 B2 \* 9/2018 Pfaffelhuber ..... B62D 29/043

\* cited by examiner

‡ imported from a related application



FIG. 1

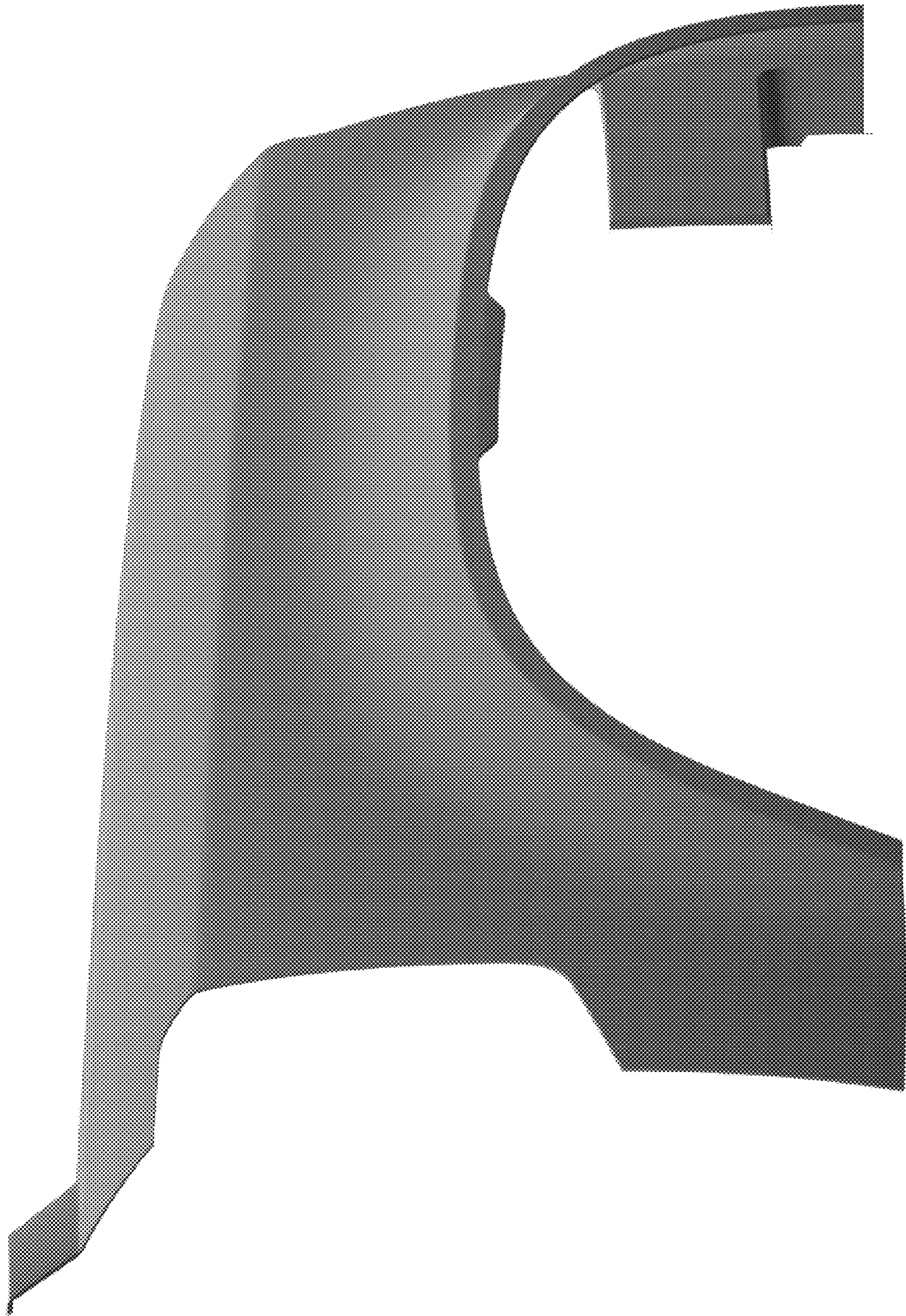


FIG. 2

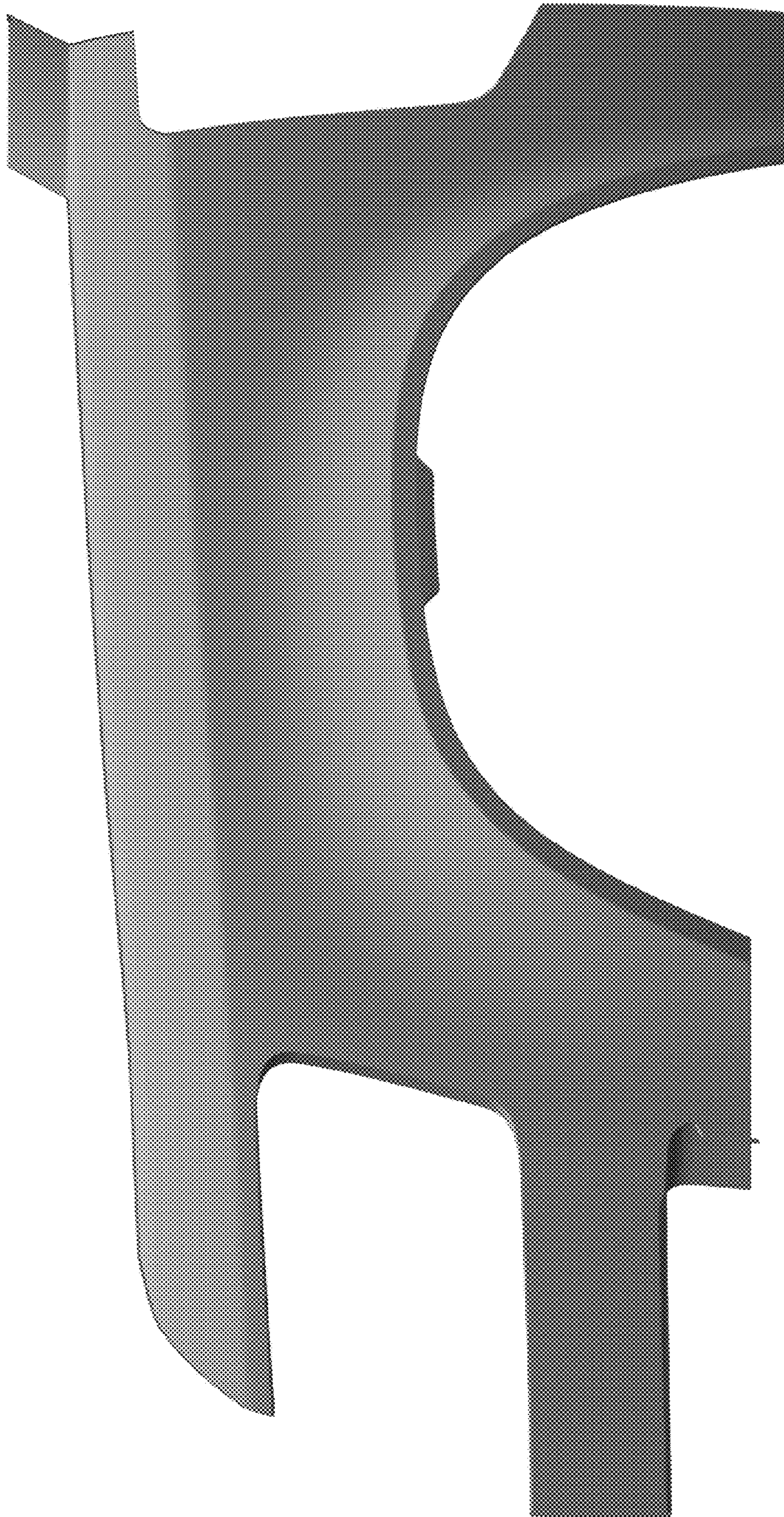


FIG. 3

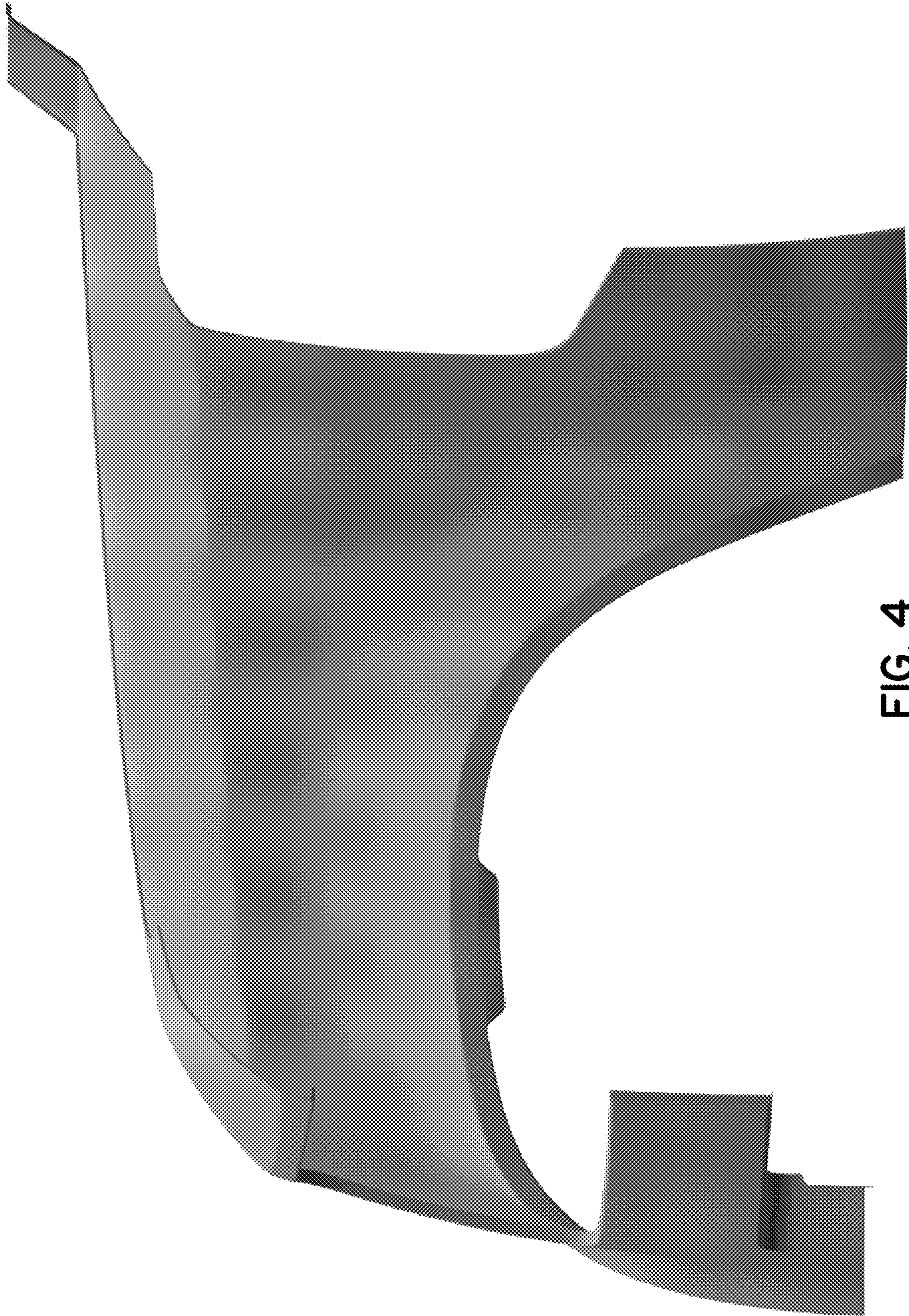


FIG. 4

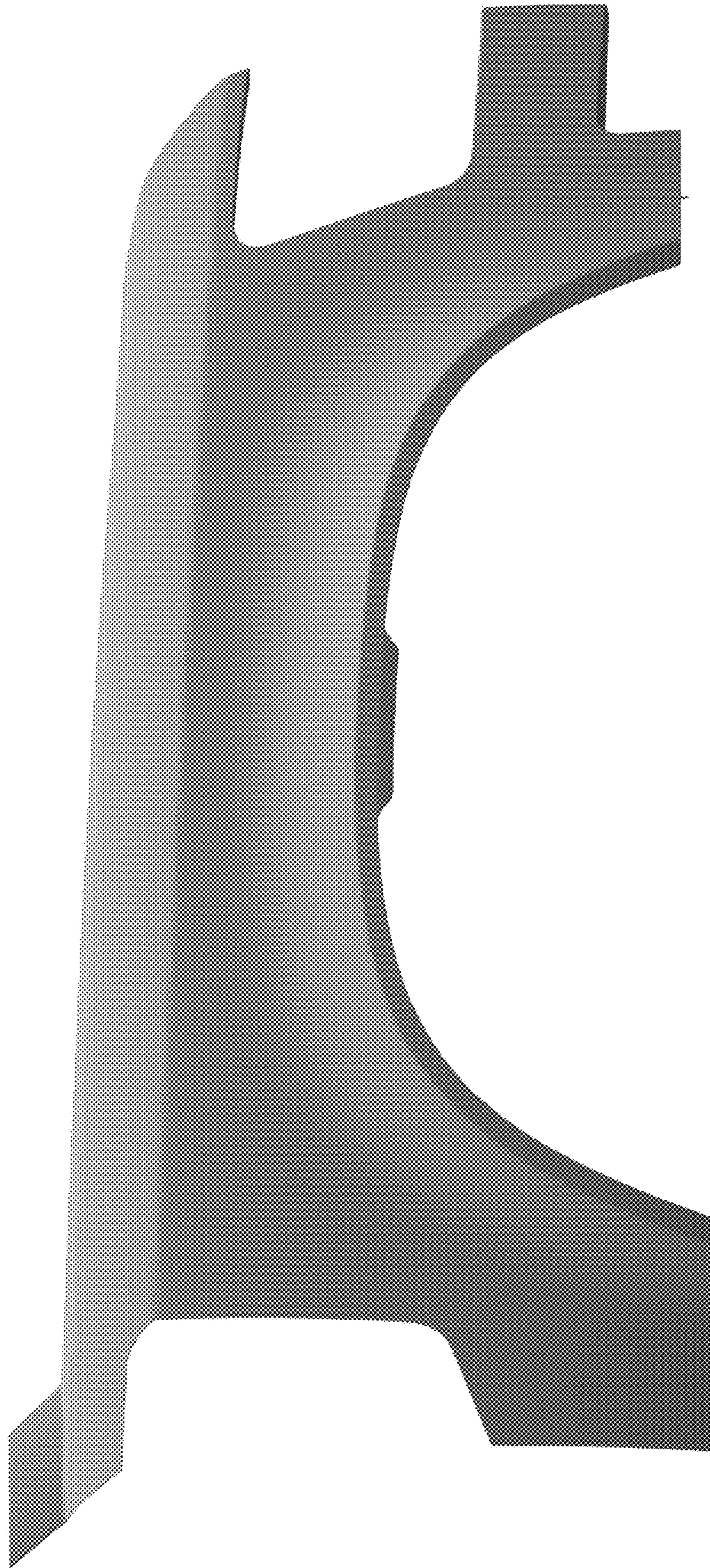


FIG. 5

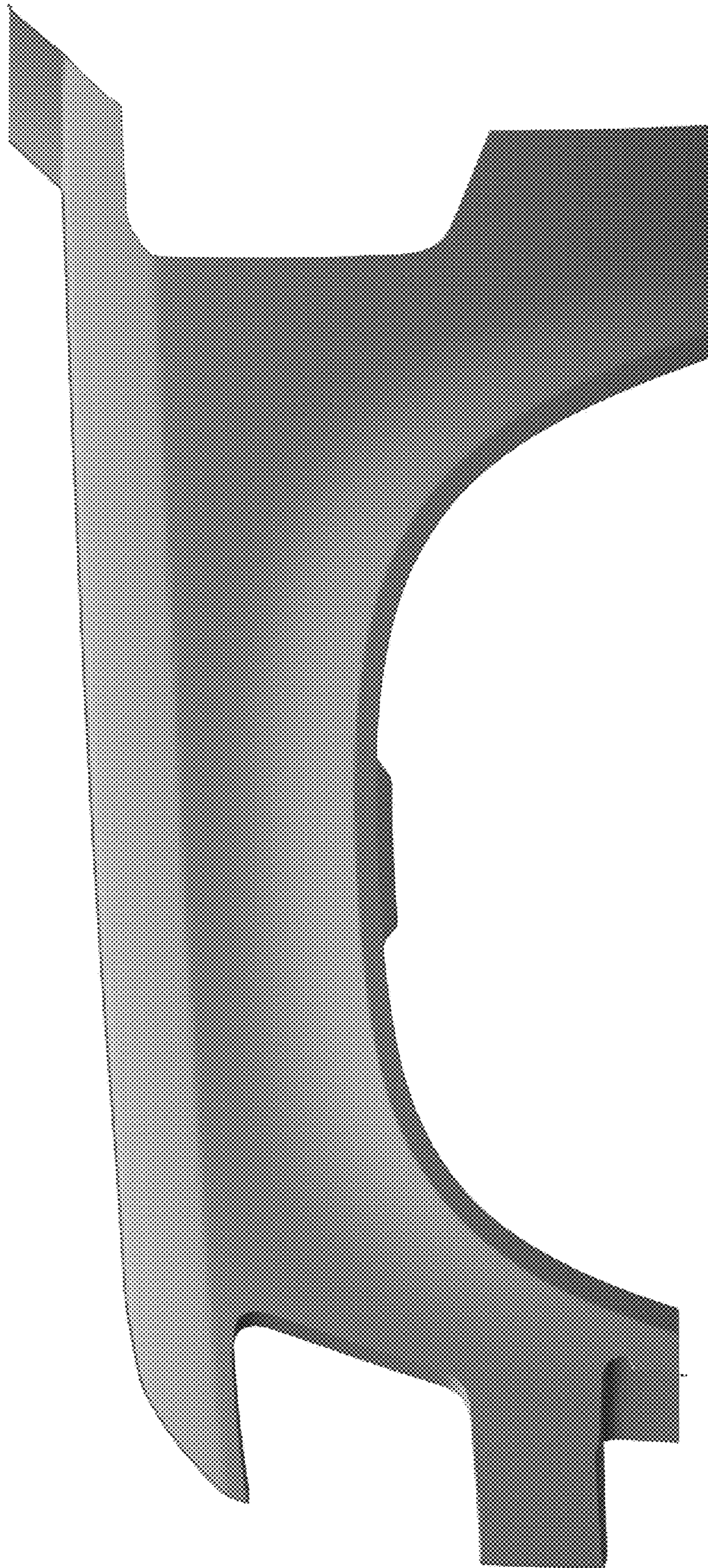


FIG. 6





FIG. 7



FIG. 8



FIG. 9

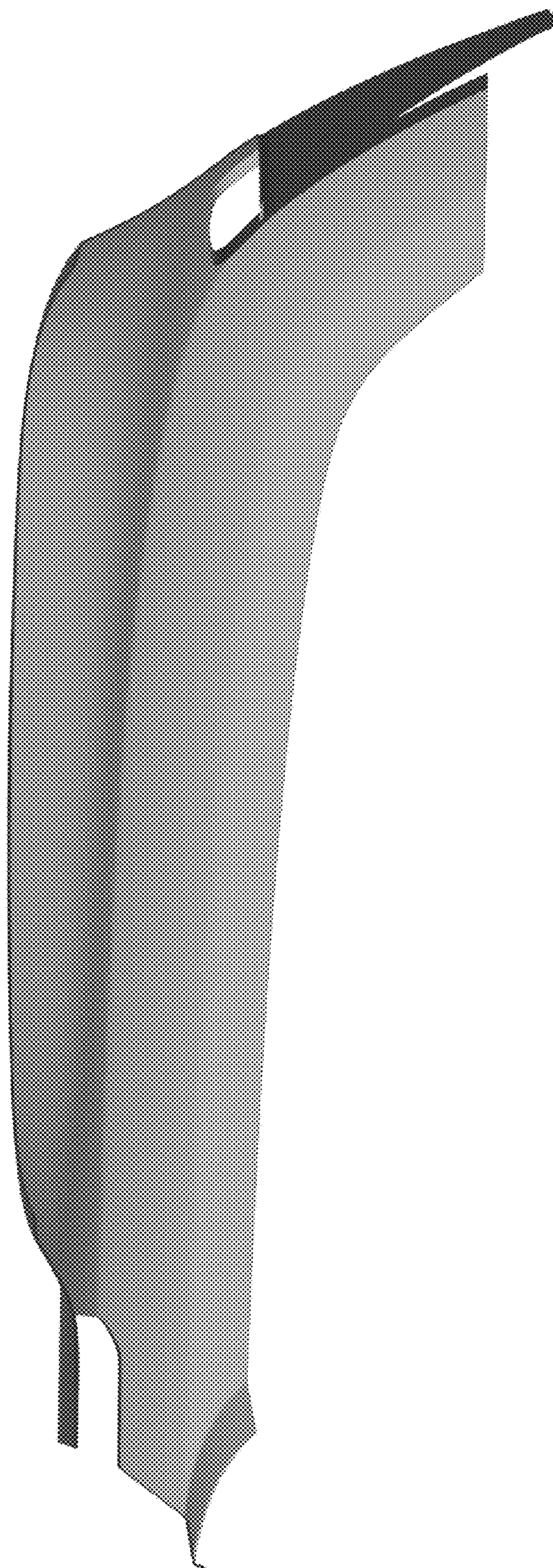


FIG. 10