



US00D898632S

(12) **United States Design Patent** (10) **Patent No.:** **US D898,632 S**
Gander (45) **Date of Patent:** **** Oct. 13, 2020**

(54) **GRILLE ELEMENT**

(56) **References Cited**

(71) Applicant: **Oshkosh Corporation**, Oshkosh, WI (US)

U.S. PATENT DOCUMENTS

(72) Inventor: **Jesse Gander**, Larsen, WI (US)

1,001,863 A	8/1911	Kirkwood
1,278,460 A	9/1918	Hanger
1,376,467 A	5/1921	Simmon
1,463,569 A	7/1923	Bathrick
1,835,132 A	12/1931	Anania
1,941,582 A	1/1934	Schroeder
2,628,127 A	2/1953	Palsgrove

(73) Assignee: **Oshkosh Corporation**, Oshkosh, WI (US)

(Continued)

(**) Term: **15 Years**

(21) Appl. No.: **29/729,772**

FOREIGN PATENT DOCUMENTS

(22) Filed: **Mar. 30, 2020**

CA	2478228 A1	2/2006
DE	11 86 334	1/1965

(Continued)

Related U.S. Application Data

(63) Continuation of application No. 29/706,526, filed on Sep. 20, 2019, now Pat. No. Des. 892,002, which is a continuation of application No. 29/691,172, filed on May 14, 2019, now Pat. No. Des. 863,144, which is a continuation of application No. 29/621,906, filed on Oct. 12, 2017, now Pat. No. Des. 856,860, which is a continuation of application No. 14/612,100, filed on Feb. 2, 2015, now Pat. No. 9,829,282, which is a continuation of application No. 13/629,009, filed on Sep. 27, 2012, now Pat. No. 8,943,946, said application No. 29/621,906 is a continuation of application No. 15/599,174, filed on May 18, 2017, now Pat. No. 10,434,995, which is a continuation of application No. 14/724,279, filed on May 28, 2015, now Pat. No. 9,656,640, which is a continuation of application No. 13/841,686, filed on Mar. 15, 2013, now Pat. No. 9,045,014.

Primary Examiner — Susan Bennett Hattan

Assistant Examiner — Suzanne E Tisdell

(74) *Attorney, Agent, or Firm* — Foley & Lardner LLP

(51) **LOC (12) Cl.** **12-16**

(52) **U.S. Cl.**
USPC **D12/163**

(58) **Field of Classification Search**
USPC D12/163, 164, 190, 195, 196, 414
CPC B60R 9/06; B62D 35/02; B62D 39/00;
B62D 65/16; B62D 21/12; B29C 45/16
See application file for complete search history.

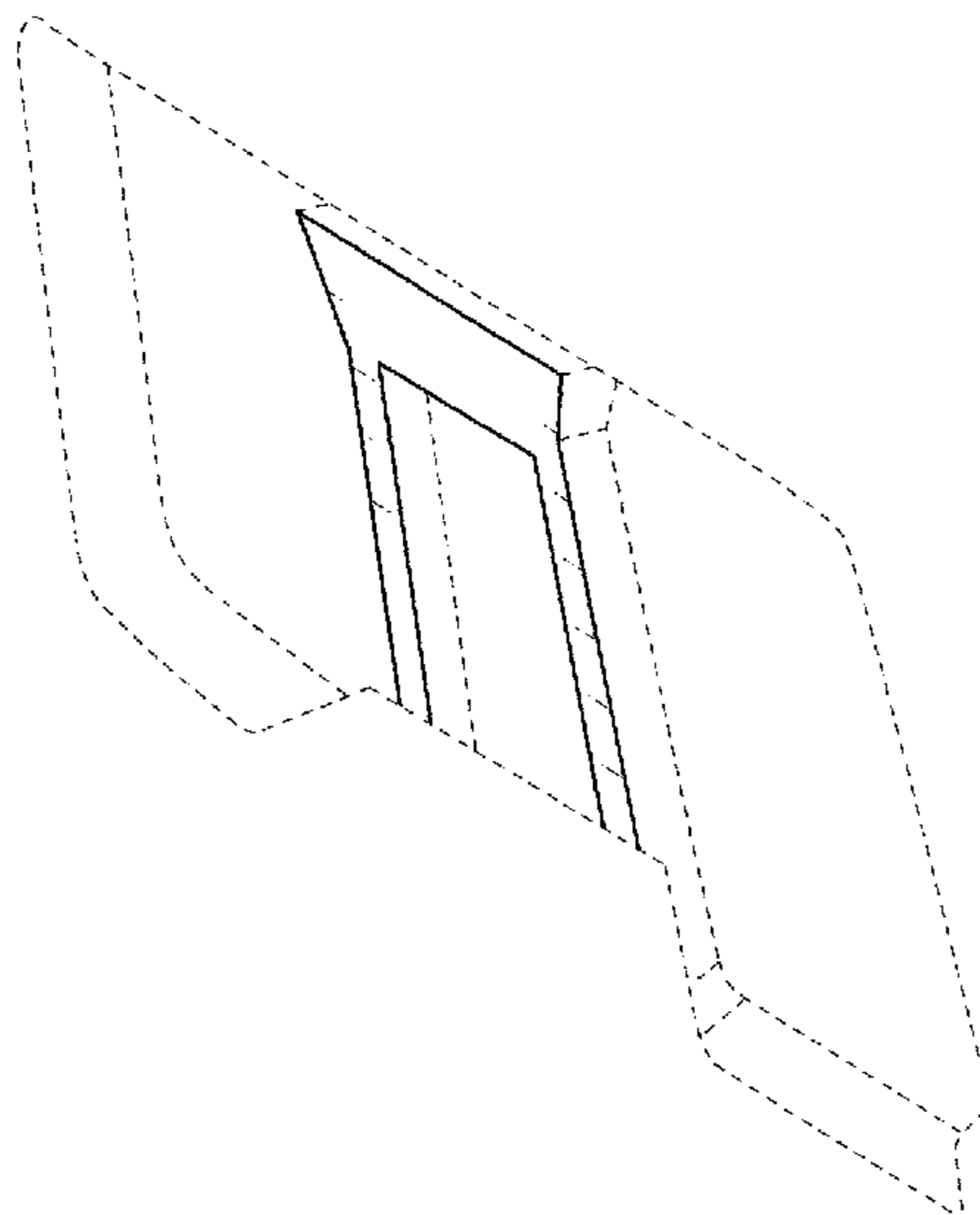
(57) **CLAIM**

I claim the ornamental design for a grille element, as shown and described.

DESCRIPTION

FIG. 1 is a front perspective view of the claimed design; FIG. 2 is a front view thereof; FIG. 3 is a rear view thereof; FIG. 4 is a left side view thereof; FIG. 5 is a right side view thereof; FIG. 6 is a top view thereof; FIG. 7 is a bottom view thereof; FIG. 8 is a second front perspective view thereof; and, FIG. 9 is a detailed front perspective view thereof. The ornamental design that is claimed is shown in solid lines in the figures. Evenly-spaced broken lines depict unclaimed environmental subject matter.

1 Claim, 9 Drawing Sheets



(56)

References Cited

U.S. PATENT DOCUMENTS

2016/0257360 A1 9/2016 MacKenzie et al.
2017/0328054 A1 11/2017 Bakken
2017/0355400 A1 12/2017 Weston
2018/0326843 A1 11/2018 Danielson et al.
2019/0185077 A1 6/2019 Smith et al.
2019/0351883 A1 11/2019 Verhoff et al.

FOREIGN PATENT DOCUMENTS

DE 36 20 603 A1 1/1987
EP 0 685 382 A1 12/1995
EP 1 371 391 B1 12/2009
FR 1471914 A 3/1967
FR 2380176 A1 9/1978
GB 2 168 015 6/1986
JP 4230421 B2 8/1992
JP 06-037090 5/1994
JP 2005-007995 A 1/2005
JP 2005-212698 A 8/2005
JP 2006-056463 A 3/2006
WO WO-01/76912 A1 10/2001
WO WO-03/049987 A2 6/2003
WO WO-2007/140179 A2 12/2007

* cited by examiner

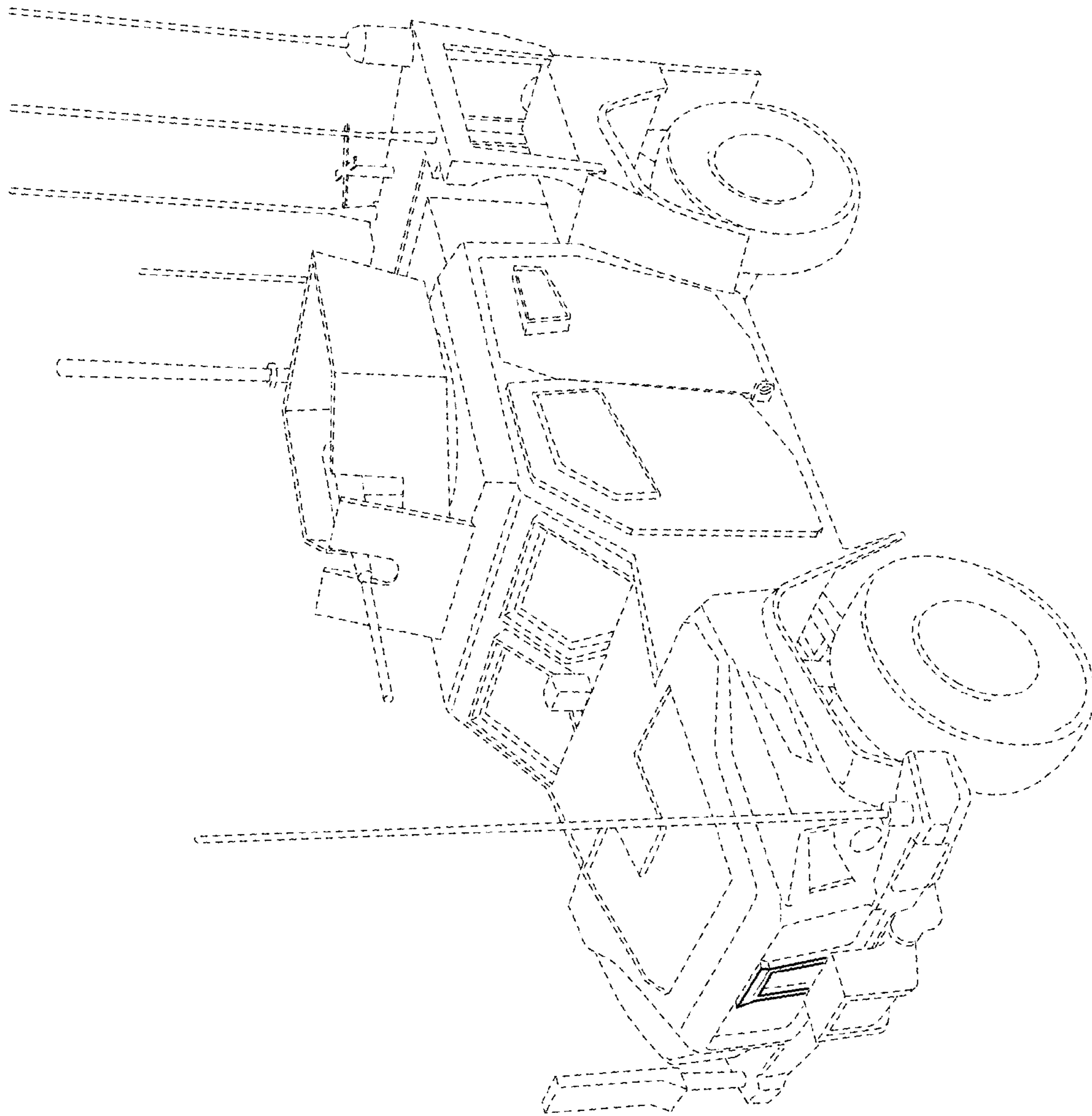


FIG. 1

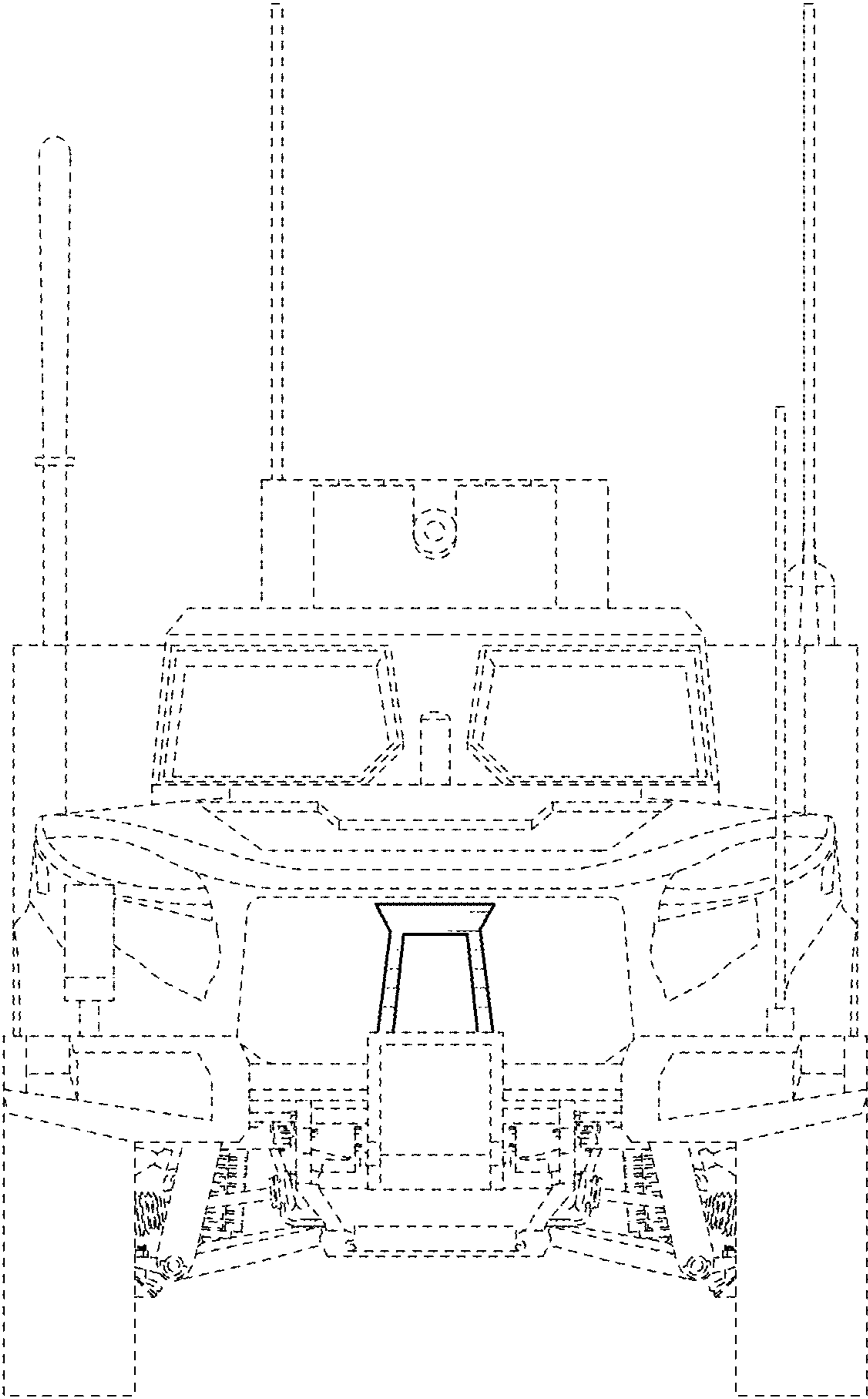


FIG. 2

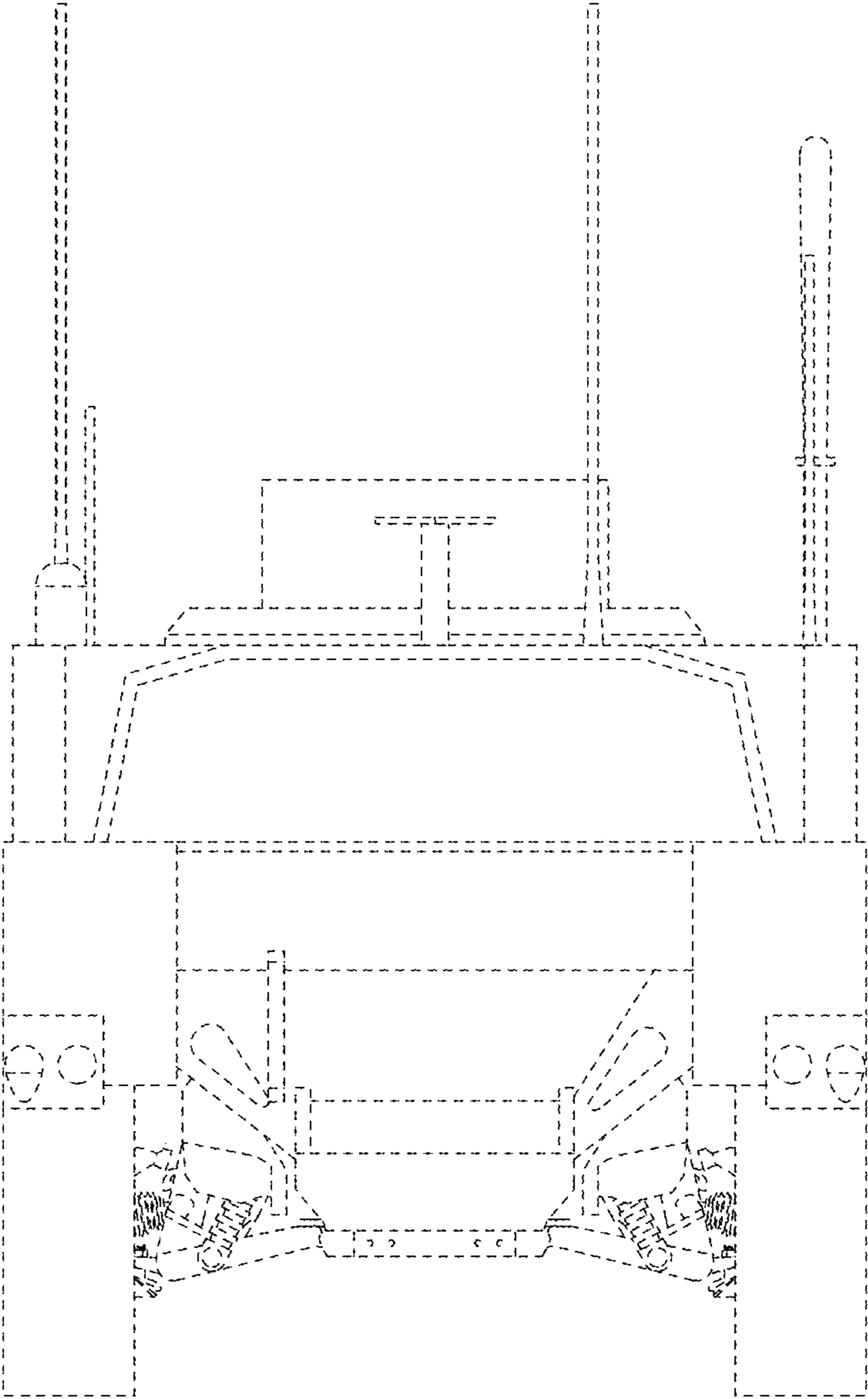


FIG. 3

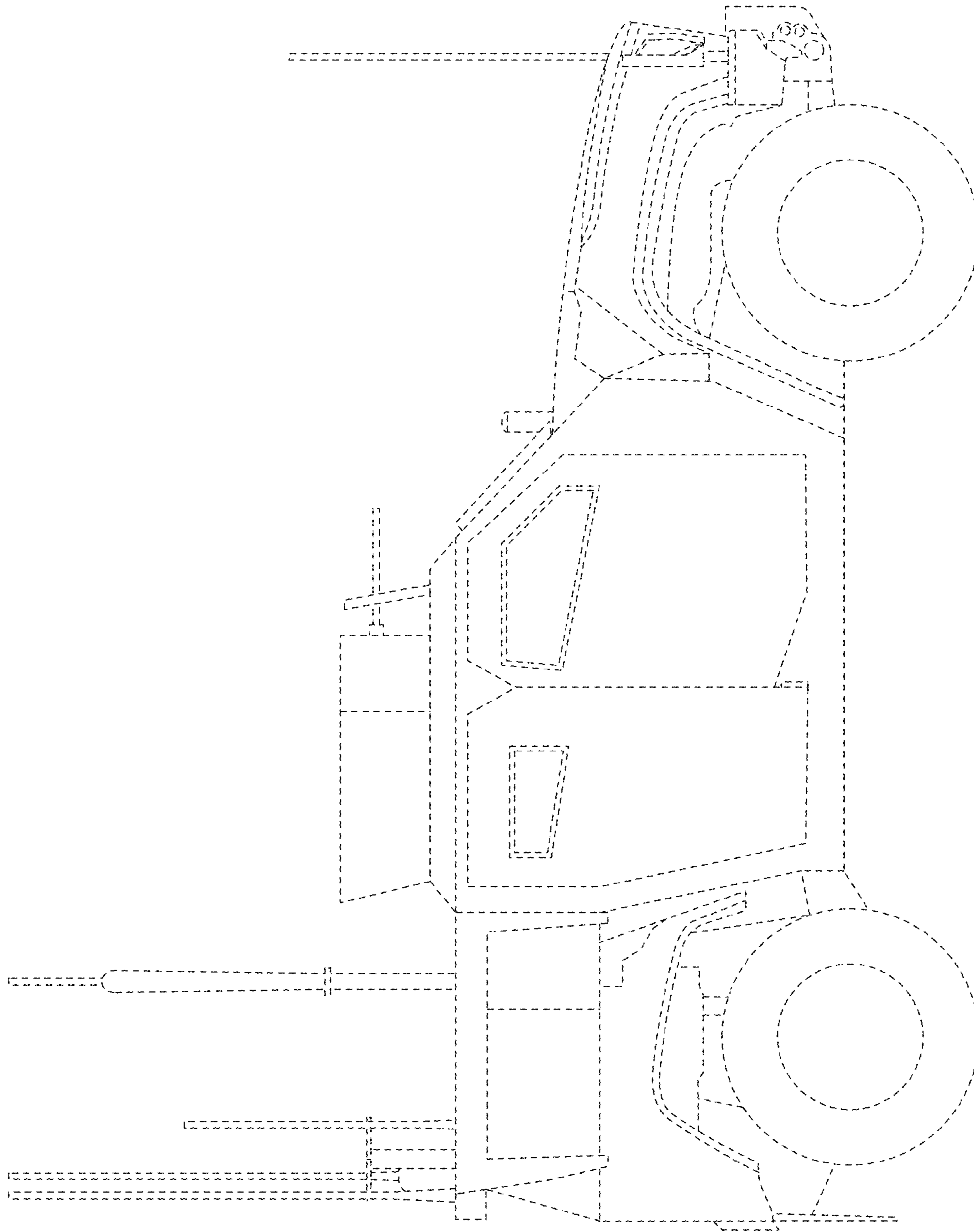


FIG. 4

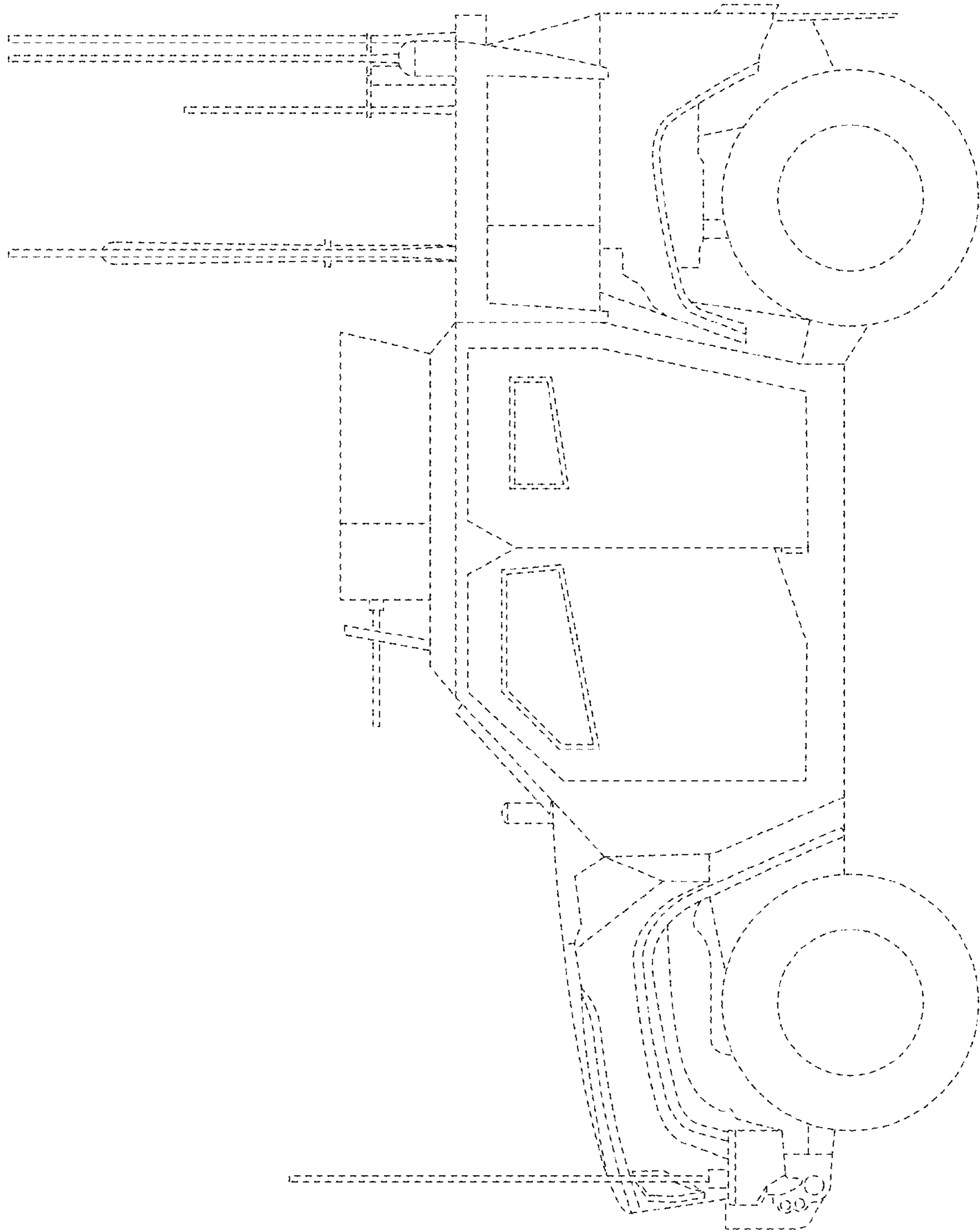


FIG. 5

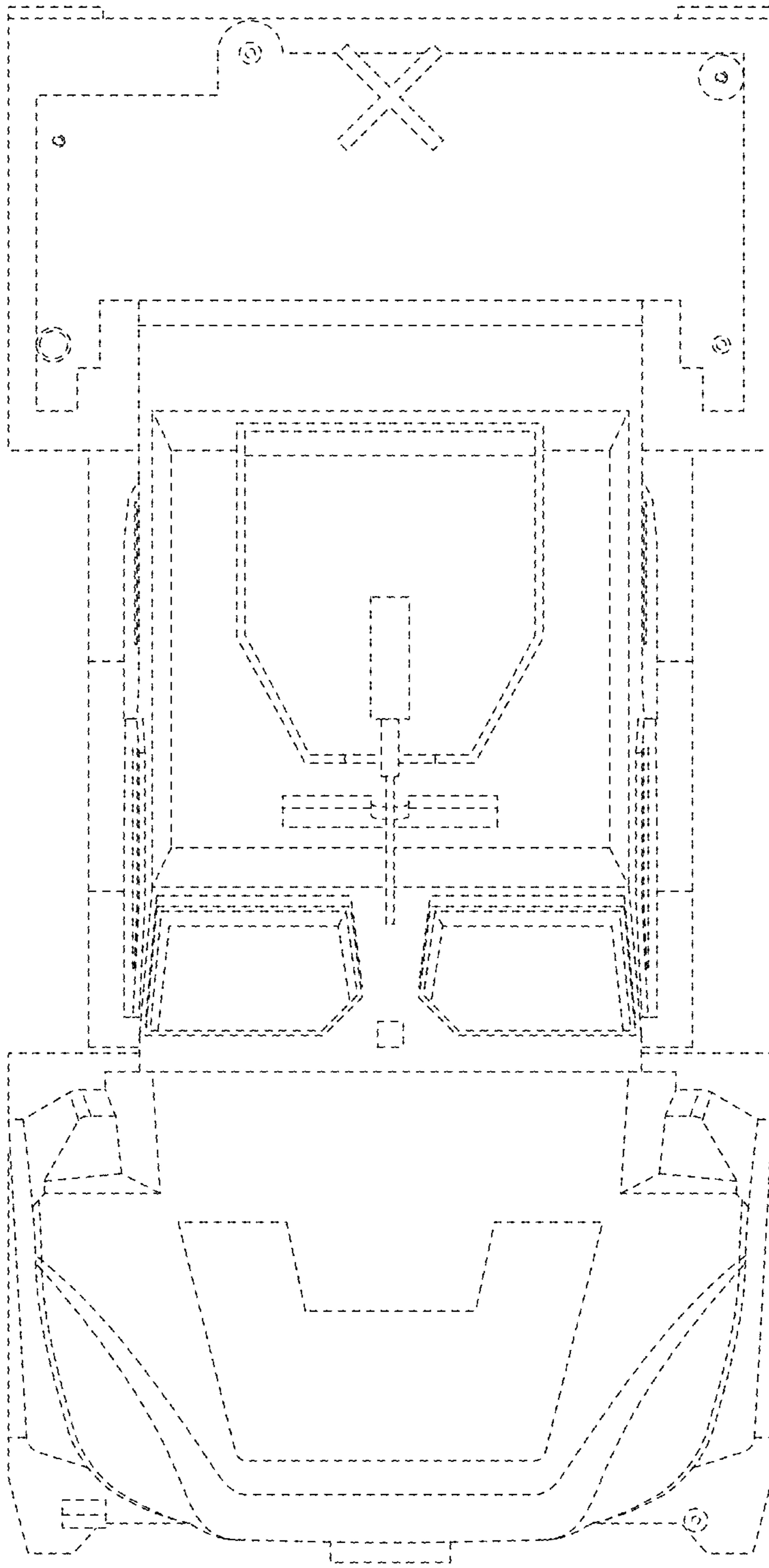


FIG. 6

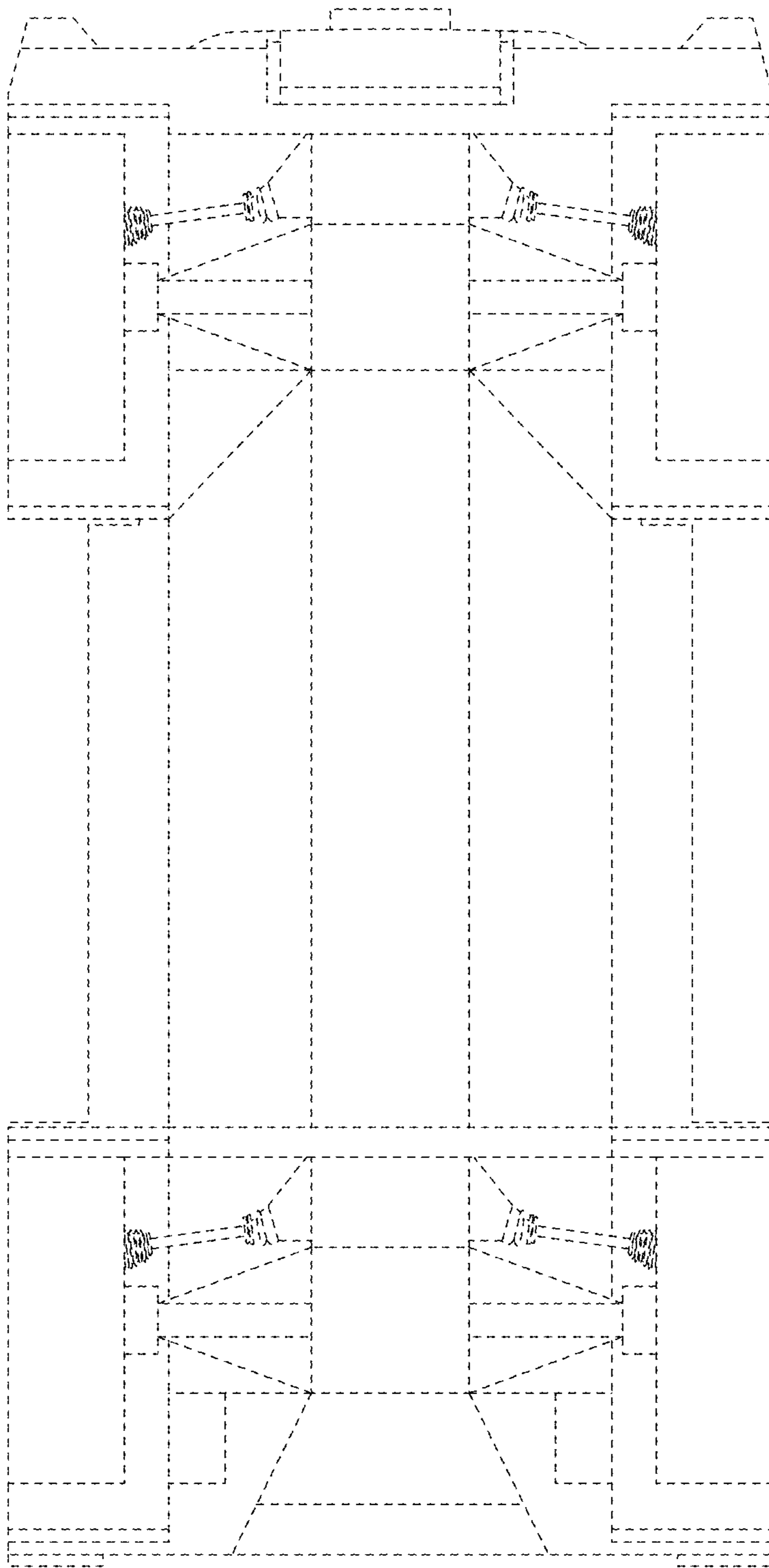


FIG. 7

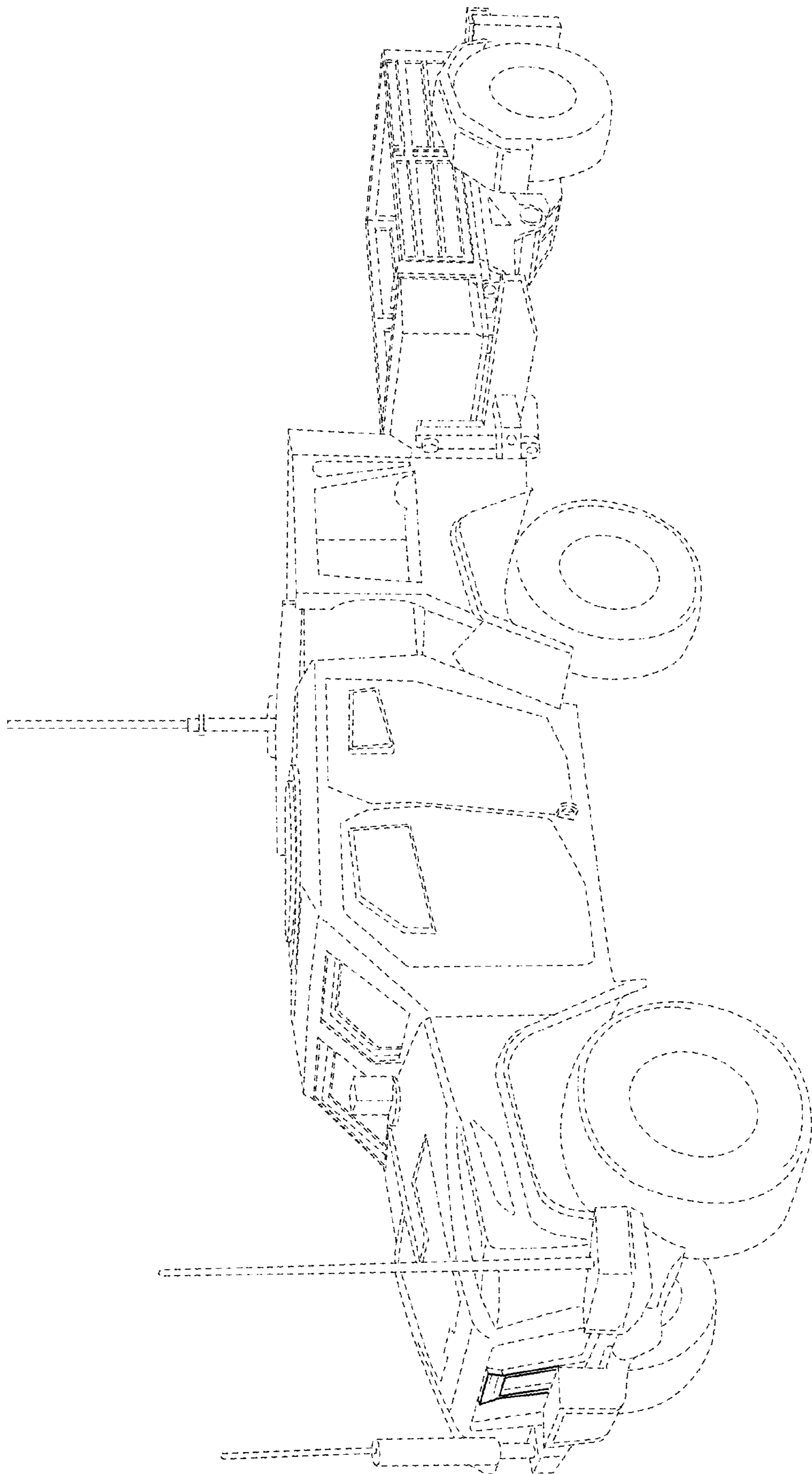


FIG. 8

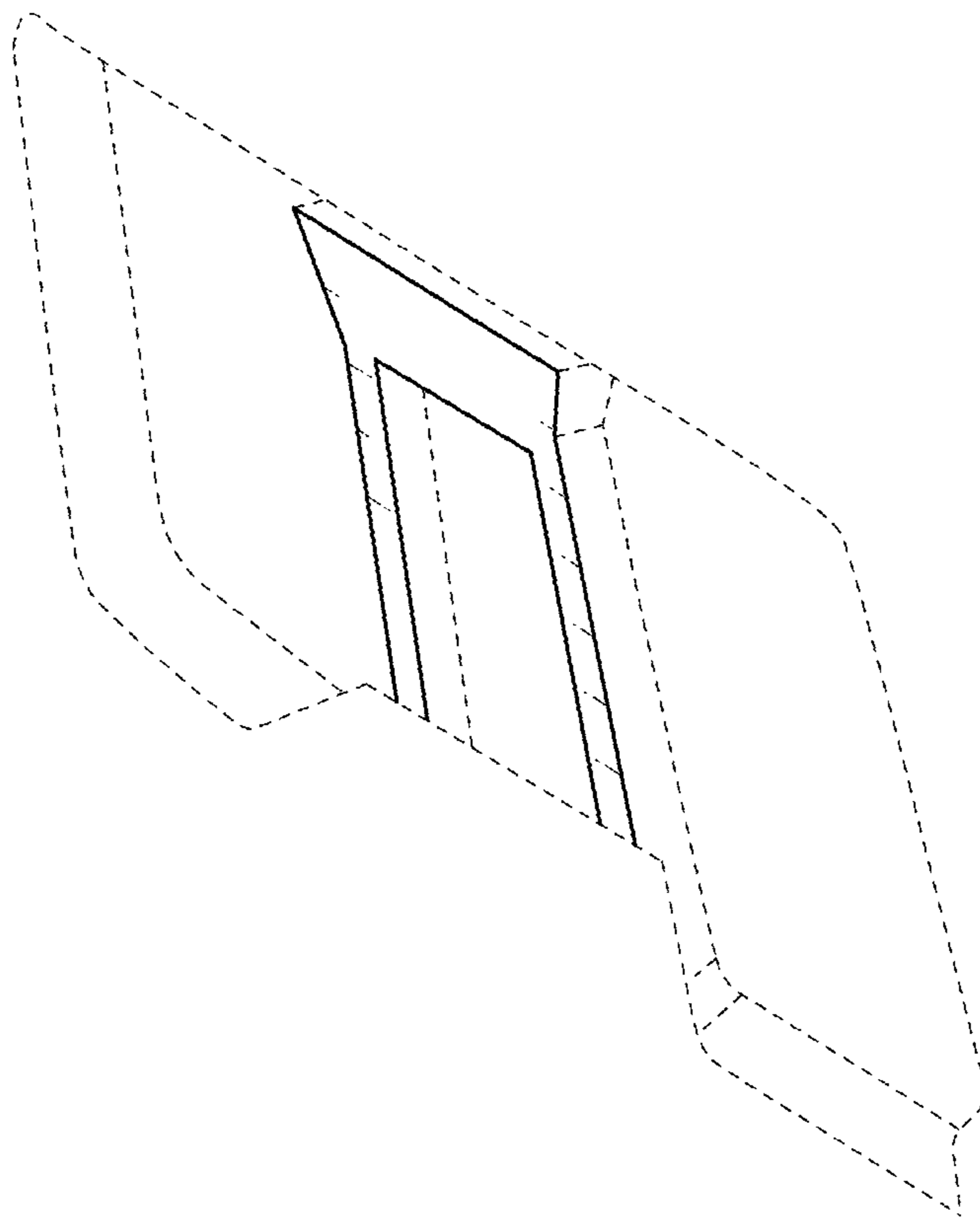


FIG. 9