



US00D898631S

(12) **United States Design Patent** (10) **Patent No.:** **US D898,631 S**
Shao (45) **Date of Patent:** **** Oct. 13, 2020**

(54) **AUTOMOBILE FRONT GRILLE**
(71) Applicant: **MOTI 5, INC.**, Flushing, NY (US)
(72) Inventor: **Liang Shao**, Flushing, NY (US)
(73) Assignee: **Moti 5, Inc.**, Flushing, NY (US)
(**) Term: **15 Years**
(21) Appl. No.: **29/715,752**
(22) Filed: **Jan. 16, 2020**

D730,786 S 6/2015 Duff et al.
D731,922 S * 6/2015 Beaven D12/91
D746,731 S 1/2016 Quezada
D749,995 S 2/2016 Azadi et al.
D777,065 S * 1/2017 Patel D12/163
D807,797 S * 1/2018 Peat D12/163
D810,626 S * 2/2018 Macey D12/91
D811,270 S * 2/2018 Zhang D12/91
(Continued)

FOREIGN PATENT DOCUMENTS

CN 303158902 S 10/2014
CN 303367473 S 3/2015
(Continued)

Related U.S. Application Data

(63) Continuation of application No. 29/661,177, filed on Aug. 24, 2018, now abandoned.

Foreign Application Priority Data

Jun. 19, 2018 (CN) 2018 3 0312705

(51) **LOC (12) Cl.** **12-16**

(52) **U.S. Cl.**
USPC **D12/163**

(58) **Field of Classification Search**
USPC D12/169, 196, 86, 90-92, 163, 190, 98,
D12/164; 293/102, 113, 115, 117, 120,
293/193.11; 296/180.1, 180.2; 180/68.1,
180/68.6
CPC B60R 19/52; B60K 11/08; B62D 25/08;
B62B 9/16

See application file for complete search history.

References Cited

U.S. PATENT DOCUMENTS

D507,214 S 7/2005 Marchese et al.
D521,424 S 5/2006 Sackley
D534,458 S * 1/2007 Renkert D12/91
D554,563 S * 11/2007 Moushegian D12/91
D683,668 S 6/2013 Thurber
D713,303 S 9/2014 Nishio

OTHER PUBLICATIONS

Walmart, Durable decorative grille vehicle modified parts, available at: <https://www.walmart.com/ip/Upgrade-Upgrade-Grilles-For-Jeep-Vehicle-Front-Grill-For-Jeep-For-Wrangler-2007-2017-Durable-Decorative-Grille-Vehicle-Modified-Parts/563021602>; accessed Aug. 23, 2019.

(Continued)

Primary Examiner — Melody N Brown
(74) *Attorney, Agent, or Firm* — Rimon PC

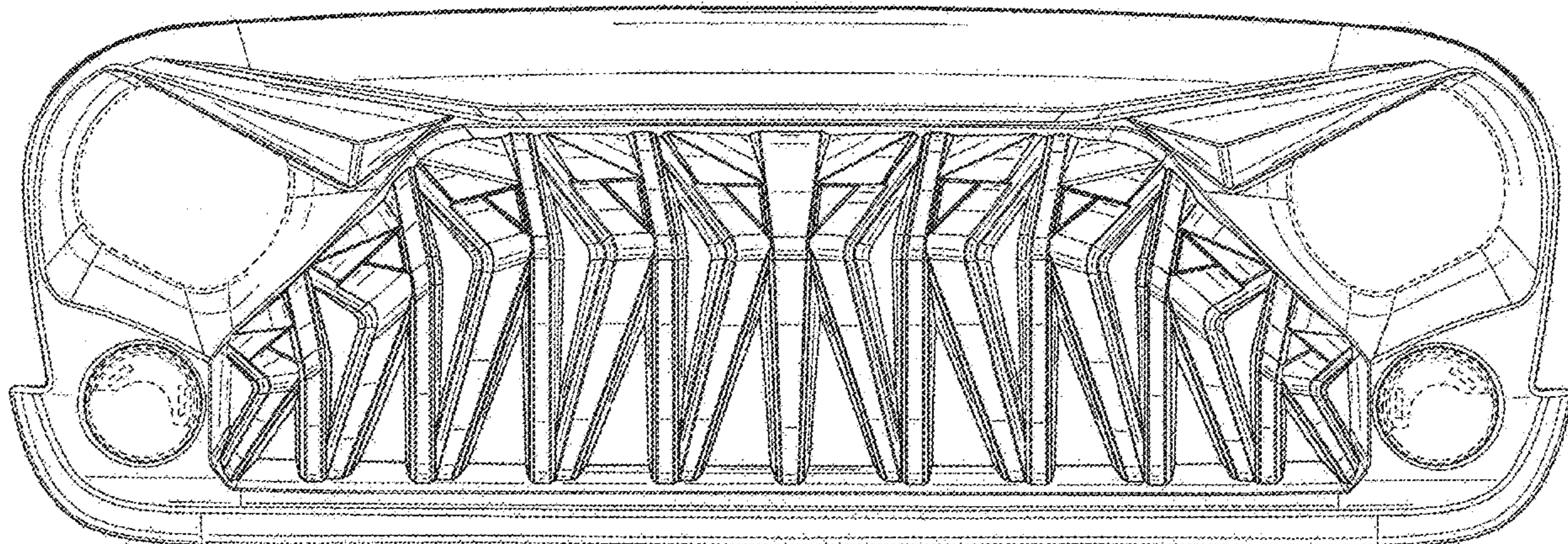
(57) **CLAIM**

The ornamental design for an automobile front grille, as shown and described.

DESCRIPTION

FIG. 1 is a top, front and side perspective view of an automobile front grille showing my new design;
FIG. 2 is a front elevation view thereof;
FIG. 3 is a rear elevational view thereof;
FIG. 4 is a side elevational view thereof;
FIG. 5 is an opposite side elevational view thereof;
FIG. 6 is a top plan view thereof; and,
FIG. 7 is a bottom plan view thereof.

1 Claim, 6 Drawing Sheets



(56)

References Cited

U.S. PATENT DOCUMENTS

| | | | |
|--------------|--------|-------------------|---------|
| D814,354 S * | 4/2018 | Fisker | D12/91 |
| D815,571 S | 4/2018 | Zhang | |
| D819,510 S | 6/2018 | Zhang | |
| D826,107 S | 8/2018 | DiCanzio | |
| D827,495 S * | 9/2018 | Piscitelli | D12/91 |
| D828,223 S * | 9/2018 | Piscitelli | D12/91 |
| D829,144 S | 9/2018 | Zeng | |
| D840,881 S | 2/2019 | Zhang | |
| D842,172 S | 3/2019 | Chi | |
| D842,175 S * | 3/2019 | Hartenstein | D12/163 |
| D847,025 S * | 4/2019 | Zavatski | D12/91 |
| D871,979 S * | 1/2020 | Zheng | D12/163 |
| D876,997 S * | 3/2020 | Zeng | D12/163 |
| D883,150 S * | 5/2020 | Li | D12/163 |
| D888,622 S * | 6/2020 | Xu | D12/163 |

FOREIGN PATENT DOCUMENTS

| | | |
|----|-------------|--------|
| CN | 303428541 S | 7/2015 |
| CN | 303929977 S | 2/2016 |
| CN | 303911914 S | 5/2016 |
| CN | 303930216 S | 5/2016 |
| CN | 303977934 S | 7/2016 |

| | | |
|----|----------------|---------|
| CN | 304004775 S | 7/2016 |
| CN | 304088133 S | 7/2016 |
| CN | 304407233 S | 6/2017 |
| CN | 304407234 S | 6/2017 |
| CN | 304898373 S | 11/2018 |
| CN | 305031704 S | 2/2019 |
| CN | 305249734 S | 7/2019 |
| CN | 305249735 S | 7/2019 |
| DM | 67940-005 | 6/2006 |
| EM | 003344746-0001 | 8/2016 |
| JP | D1477965 | 7/2013 |
| KR | 30-0480989 | 7/2007 |

OTHER PUBLICATIONS

HIDLED, Angry bird style front grill auto replaceable front grille for jeep wrangler, Item Code: HL-86, available at: http://www.hidled.com/angry-bird-style-front-grill-auto-replaceable-front-grille-for-jeep-wrangler_p0086.html; accessed Aug. 23, 2019.

Aliexpress, Car front grill grille mesh insert for jeep wrangler sports sahara freedom rubicon etc 2007-2017 automobile accessories black, available at <https://www.aliexpress.com/item/32951737198.html>; accessed Aug. 23, 2019.

* cited by examiner

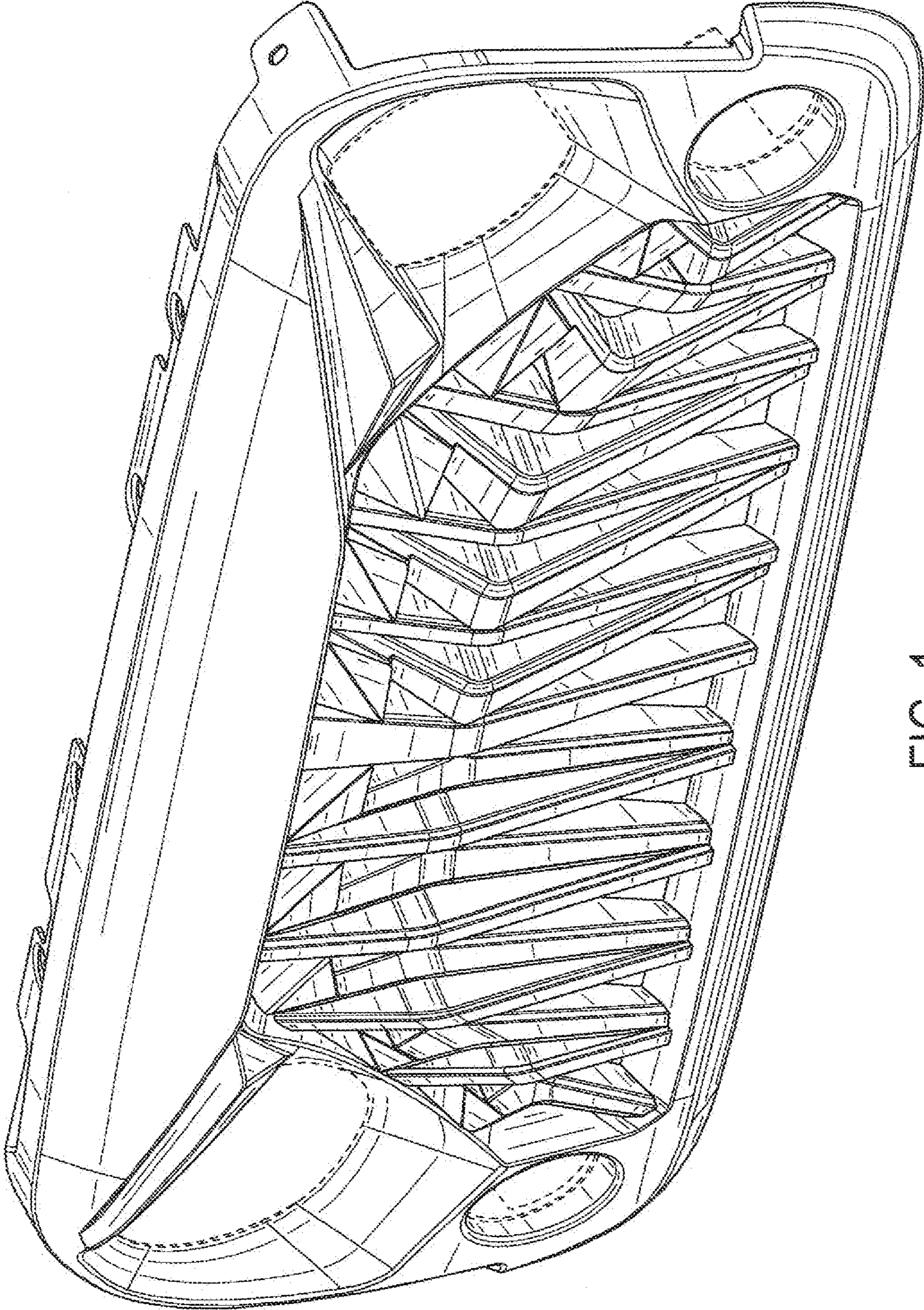


FIG. 1

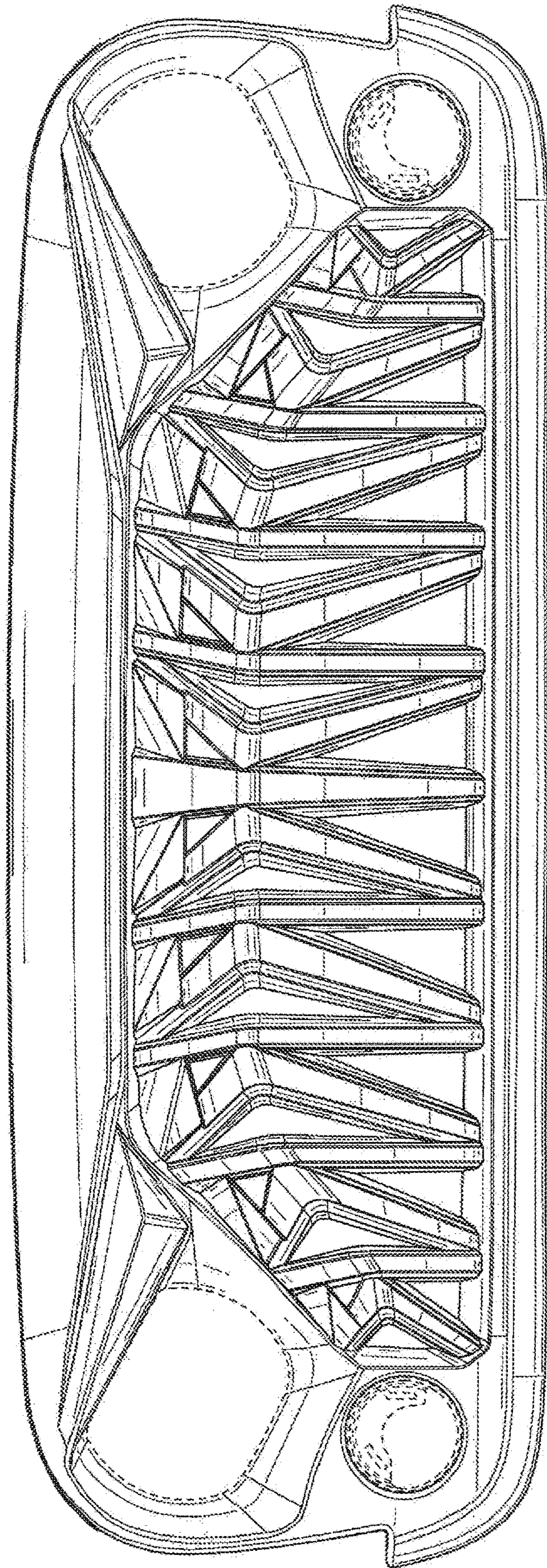


FIG. 2

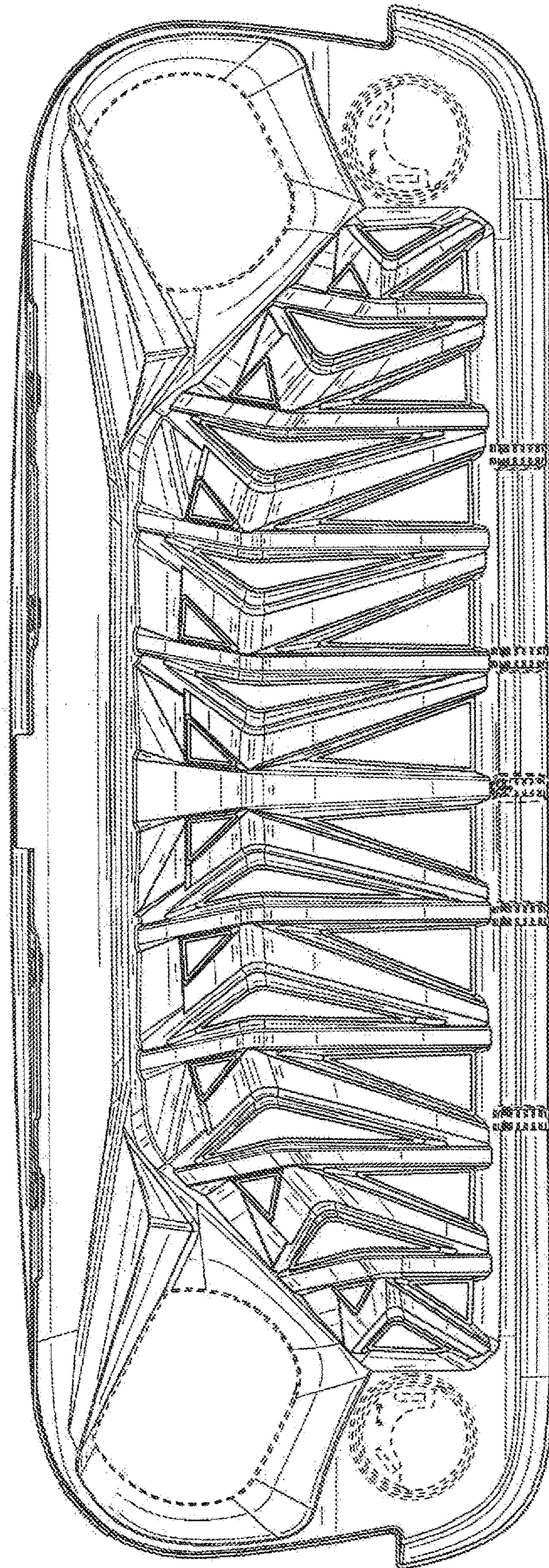


FIG. 3

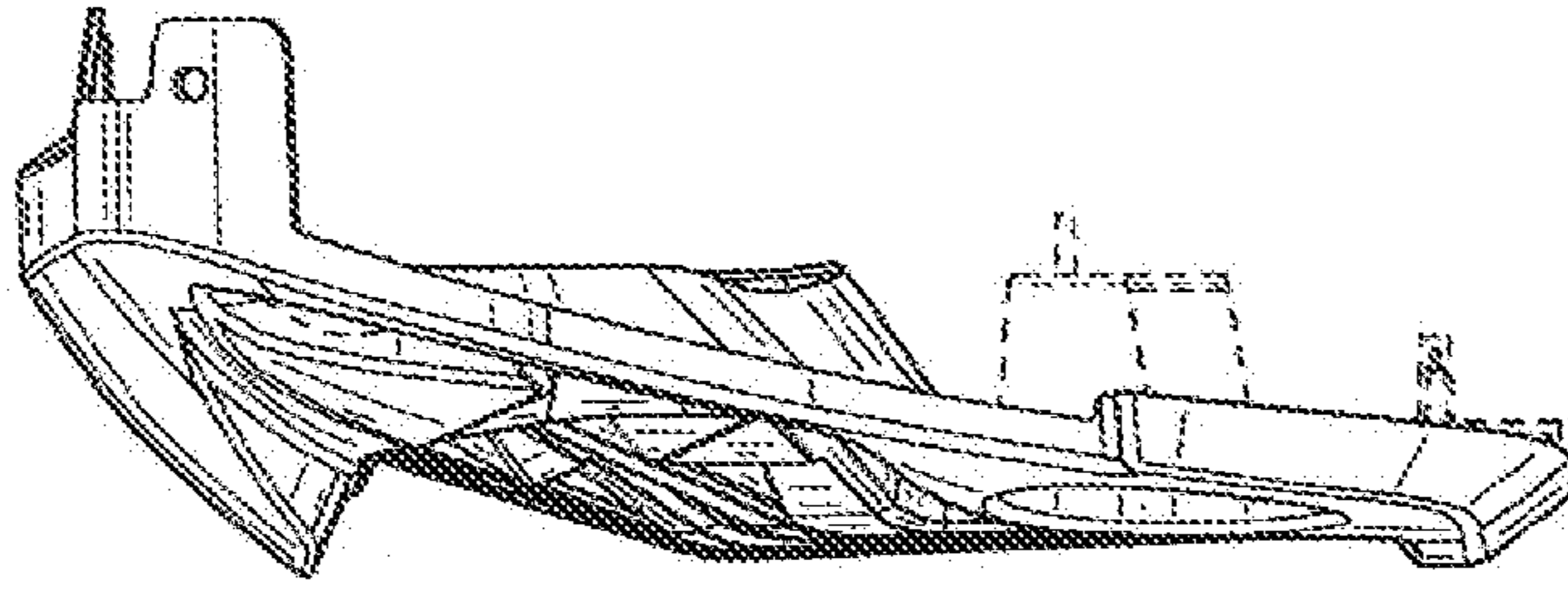


FIG. 5

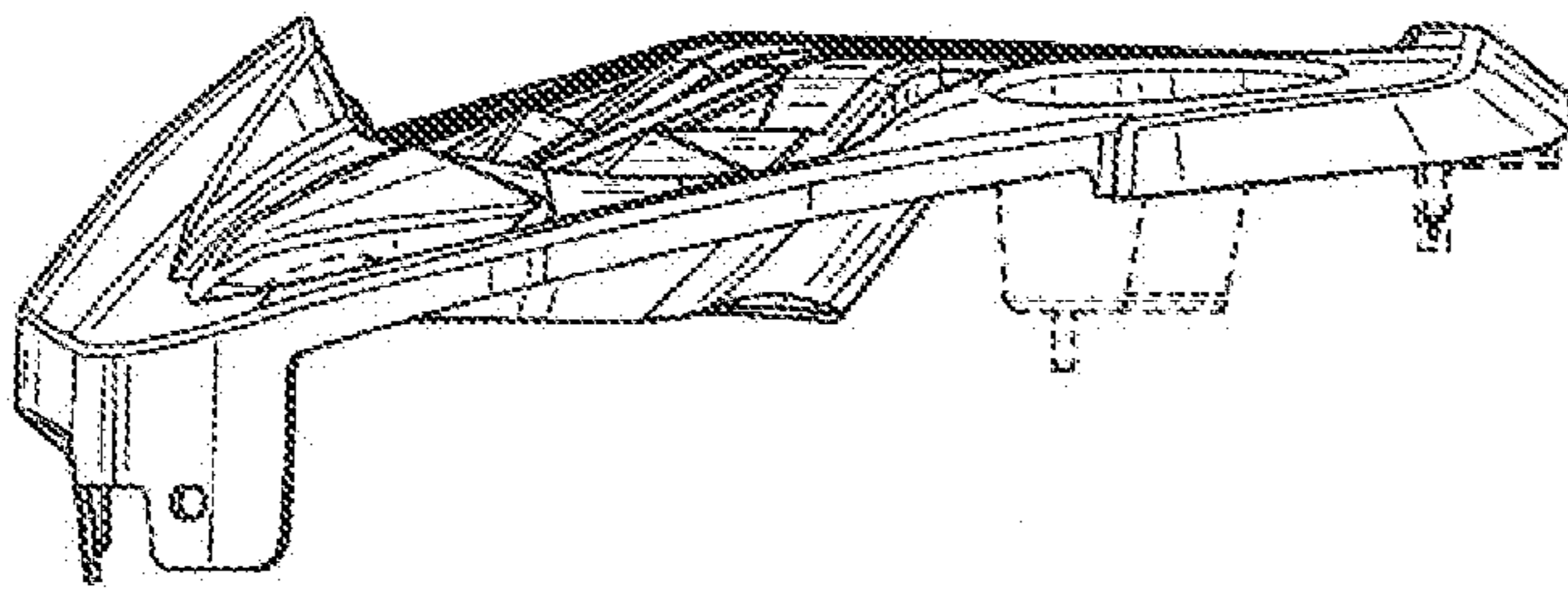


FIG. 4

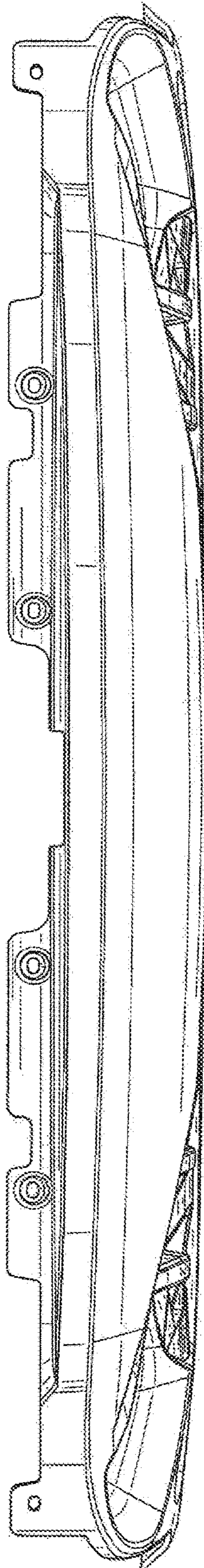


FIG. 6

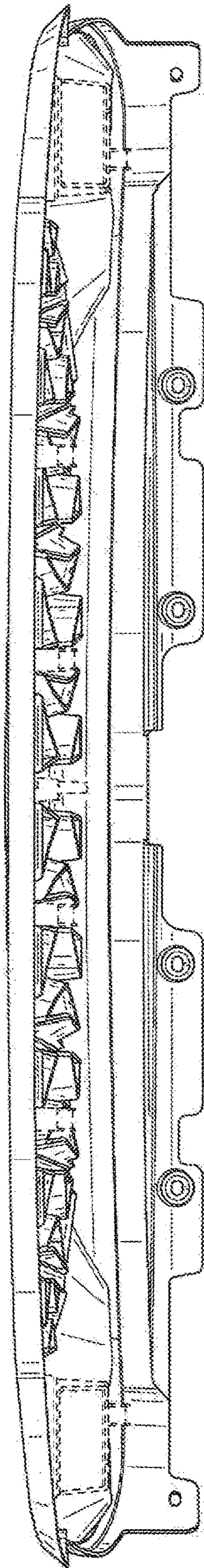


FIG. 7