



US00D898629S

(12) **United States Design Patent** (10) **Patent No.:** **US D898,629 S**  
**Yang** (45) **Date of Patent:** **\*\* \*Oct. 13, 2020**

(54) **GRILLE FOR A VEHICLE**

(71) Applicants: **Warner Science Applications Corp.**, Ontario, CA (US); **Paramount Automotive Restyling Inc.**, Ontario, CA (US)

(72) Inventor: **Mingfa Yang**, Calabasas, CA (US)

(73) Assignees: **WARNER SCIENCE APPLICATIONS CORP.**, Ontario, CA (US); **PARAMOUNT AUTOMOTIVE RESTYLING INC.**, Ontario, CA (US)

(\* ) Notice: This patent is subject to a terminal disclaimer.

(\*\*) Term: **15 Years**

(21) Appl. No.: **29/674,998**

(22) Filed: **Dec. 27, 2018**

**Related U.S. Application Data**

(62) Division of application No. 29/602,700, filed on May 2, 2017, now Pat. No. Des. 837,108.

(51) **LOC (12) Cl.** ..... **12-16**

(52) **U.S. Cl.**  
USPC ..... **D12/163**

(58) **Field of Classification Search**  
USPC ..... D12/163, 169, 196, 86, 90-92, 88  
CPC ..... B62D 25/08; B60R 19/05; B60K 11/08  
See application file for complete search history.

(56) **References Cited**

**U.S. PATENT DOCUMENTS**

2,854,104 A 9/1958 Marcy et al.  
D249,677 S 9/1978 Cline  
D259,873 S 7/1981 Milner  
D380,722 S 7/1997 Burton et al.

(Continued)

**OTHER PUBLICATIONS**

Kdgcng. "EAG raptor conversion replacement grille." Toyota Tundra Forum, published Jul. 28, 2017-Oct. 31, 2018 (Retrieved from the Internet Jun. 1, 2020). Internet URL: <https://www.tundras.com/threads/eag-raptor-conversion-replacement-grille.15083/ (Year : 2017).\*

(Continued)

*Primary Examiner* — Robin V Webster

*Assistant Examiner* — Rachel A Voorhies

(74) *Attorney, Agent, or Firm* — Chen Yoshimura LLP

(57) **CLAIM**

The ornamental design for a grille for a vehicle, as shown and described.

**DESCRIPTION**

FIG. 1 is a front, bottom and right side perspective view of a grille for a vehicle showing a first embodiment of my new design;

FIG. 2 is a front elevational view thereof;

FIG. 3 is a rear elevational view thereof;

FIG. 4 is a left side elevational view thereof;

FIG. 5 is a right side elevational view thereof;

FIG. 6 is a top plan view thereof;

FIG. 7 is a bottom plan view thereof;

FIG. 8 is a front, bottom and left side perspective view of a grille for a vehicle showing a second embodiment of my new design;

FIG. 9 is a front elevational view thereof;

FIG. 10 is a rear elevational view thereof;

FIG. 11 is a left side elevational view thereof;

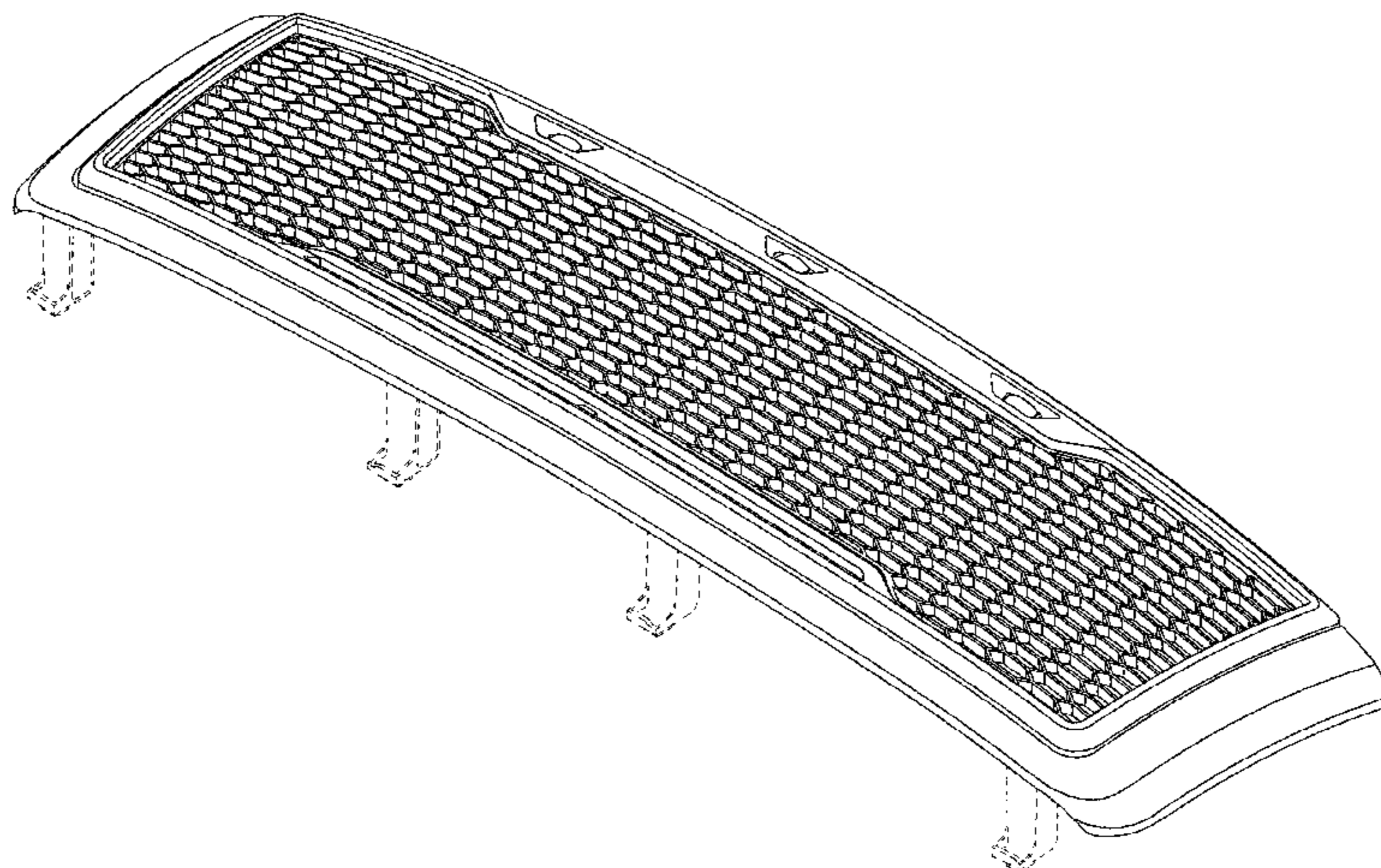
FIG. 12 is a right side elevational view thereof;

FIG. 13 is a top plan view thereof; and,

FIG. 14 is a bottom plan view thereof.

The broken lines showing mounting features for the grille for a vehicle are included for the purpose of illustrating environmental structures, and form no part of the claimed design.

**1 Claim, 14 Drawing Sheets**



(56)

References Cited

U.S. PATENT DOCUMENTS

D380,723 S 7/1997 Burton et al.  
 D425,834 S 5/2000 Sousamian  
 D451,432 S 12/2001 Leutz  
 6,328,358 B1 12/2001 Berweiler  
 D472,191 S 3/2003 Yamaguchi et al.  
 D496,890 S 10/2004 Metros et al.  
 D509,466 S 9/2005 Marchese et al.  
 D510,303 S 10/2005 Spagnola  
 D514,480 S 2/2006 Yamaji et al.  
 D526,605 S 8/2006 Chung  
 D527,319 S 8/2006 Yakushi  
 D533,119 S 12/2006 Schiavone et al.  
 D535,223 S 1/2007 Gaffka  
 D540,714 S 4/2007 Mueller-Stolz  
 D541,711 S 5/2007 Golden et al.  
 D551,145 S 9/2007 Canitano  
 D591,651 S 5/2009 Shelby  
 D629,720 S 12/2010 Manzoni  
 D645,790 S 9/2011 Vardis et al.  
 D678,140 S 3/2013 Hamilton et al.  
 D690,620 S 10/2013 Scheinhuetten et al.  
 D698,705 S 2/2014 Rupa  
 D704,102 S 5/2014 Nurnberger  
 D712,316 S 9/2014 O'Donnell et al.  
 D713,765 S 9/2014 Peltola et al.  
 D718,196 S 11/2014 Whang et al.  
 D724,493 S 3/2015 Kobayashi  
 D726,598 S 4/2015 Rupa et al.  
 D730,785 S 6/2015 Hammoud et al.  
 D731,928 S 6/2015 Manzoni  
 D746,186 S 12/2015 Curic et al.  
 D758,926 S 6/2016 Rupa  
 D758,928 S 6/2016 Messale et al.  
 D769,159 S 10/2016 Platto et al.  
 D769,160 S 10/2016 Platto et al.  
 D771,527 S 11/2016 Messale et al.  
 D773,347 S 12/2016 Whang  
 D773,963 S 12/2016 Battams  
 D774,998 S 12/2016 Munakata et al.  
 D775,554 S 1/2017 Kapitonov  
 D777,065 S 1/2017 Patel et al.  
 D782,367 S 3/2017 Donckerwolke et al.  
 D783,466 S 4/2017 Svensson et al.  
 D783,467 S 4/2017 Svensson  
 D787,384 S 5/2017 Ito et al.  
 D790,410 S 6/2017 Ito et al.  
 D790,412 S 6/2017 Dunford et al.  
 D792,810 S 7/2017 Kim et al.  
 D795,760 S 8/2017 Kozub et al.  
 D795,765 S 8/2017 Rolfs et al.  
 D796,390 S 9/2017 Pevovar et al.  
 D803,109 S 11/2017 Carter  
 D805,005 S 12/2017 Tomita  
 D807,242 S 1/2018 Piscitelli et al.  
 D811,954 S 3/2018 Park  
 D812,525 S 3/2018 Lee  
 D813,097 S 3/2018 Szavits  
 D813,736 S 3/2018 Jevremovic et al.  
 D813,737 S 3/2018 Beermann  
 D814,981 S 4/2018 Villamizar  
 D814,982 S 4/2018 Whitla et al.  
 D815,003 S 4/2018 MacNeil et al.  
 D817,815 S 5/2018 Hubers et al.  
 D818,895 S 5/2018 Lee  
 D819,506 S 6/2018 Han  
 D822,549 S 7/2018 Platto et al.  
 D823,737 S 7/2018 Chang  
 D834,450 S \* 11/2018 Hill ..... D12/91  
 D836,042 S \* 12/2018 Yang ..... D12/163  
 D837,106 S \* 1/2019 Yang ..... D12/163  
 D837,107 S \* 1/2019 Yang ..... D12/163  
 D837,108 S \* 1/2019 Yang ..... D12/163

10,183,573 B1 1/2019 Klop et al.  
 D840,880 S \* 2/2019 Beaven ..... D12/163  
 D844,495 S 4/2019 Ash et al.  
 D861,547 S 10/2019 Frascella  
 D872,659 S 1/2020 Yang  
 D873,184 S 1/2020 Yang  
 D873,716 S 1/2020 Badstuebner et al.  
 D874,344 S 2/2020 Ham  
 D874,359 S 2/2020 Karras  
 D874,363 S 2/2020 Patel et al.  
 2004/0124670 A1 7/2004 Tate  
 2005/0006928 A1 1/2005 Diehl  
 2015/0090510 A1 4/2015 Yoshino et al.  
 2015/0091328 A1 4/2015 Pugh-Jones et al.  
 2018/0009500 A1 1/2018 Lovold et al.  
 2018/0178677 A1 6/2018 Swain et al.  
 2019/0375289 A1 12/2019 Jaldelid et al.

OTHER PUBLICATIONS

Gremlin85. "Paramount Grille—No Ford Letters." F150 Ecoboost Forum, published Dec. 28, 2017 (Retrieved from the Internet Jun. 1, 2020). Internet URL: <<https://www.f150ecoboost.net/threads/paramount-grille-no-ford-letters.59626/>> (Year: 2017).\*

Amped45. "Re: Sierra Grille." Sierra Grille: Exterior, published Oct. 13, 2017 (Retrieved from the Internet Jun. 1, 2020). Internet URL: <<https://www.silveradosierra.com/exterior/sierra-grille-t651849.html>> (Year: 2017).\*

"Raptor grille on an 99-05 250?" Ford Truck Enthusiasts Forums, published Nov. 2017 (Retrieved from the Internet Jun. 1, 2020). Internet URL: <<https://www.ford-trucks.com/forums/1515799-raptor-grille-on-an-99-05-250-a.html>> (Year: 2017).\*

"EAG Replacement Upper Grille ABS Front Grille with Amber LED Lights—Charcoal Gray—Fit for 15-19 Chevy Silverado . . ." Amazon.com, published Nov. 21, 2017 (Retrieved from the Internet Jun. 2, 2020). Internet URL: <<https://www.amazon.com/EAG-Silverado-Replacement-Grille-Lights/dp/B077ML6CM7/>> (Year: 2017).\*

V8toy. "2016 SE Build with OEM Raptor grill." Ford F150 Forum, published Sep. 26, 2016 (Retrieved from the Internet Mar. 18, 2020). Internet URL: <<https://www.f150forum.com/t78/2016-se-build-oem-raptor-grill-359324/#>> (Year: 2016).

Eddie Driven. "Be Careful . . . What grille to buy?" YouTube, published Aug. 7, 2017 (Retrieved from the Internet Feb. 19, 2020). Internet URL: <<https://www.youtube.com/watch?v=4pNWXpNDBPA>> (Year: 2017).

American Muscle. "F150 Barricade Raptor Style Grille w/ LED Lighting Review & Install 2015-2017." YouTube, published Jan. 16, 2017 (Retrieved from the Internet Mar. 18, 2020). Internet URL: <<https://www.youtube.com/watch?dmddqNw6p40>> (Year: 2017).

CJ Off-Road. "Dodge Ram gets a functional face-lift: Full Mesh ABS Main Upper Grille w/LED Accents Install 13/2018." YouTube, published Jun. 5, 2018 (Retrieved from the Internet Feb. 19, 2020). Internet URL: <<https://www.youtube.com/watch?v=U KMdaMXkf1g1>> (Year: 2018).

carid. "Dress up your Ford truck with Paramount Raptor-Style grille at CariD!" SuperDutyDiesel.com, published Aug. 18, 2016 (Retrieved from the Internet Jun. 18, 2020). Internet URL: <<https://www.superdutydiesel.com/threads/dress-up-your-ford-truck-with-paramount-raptor-style-grille-at-carid.31253/>> (Year: 2016).

Kdgcng. "EAG raptor conversion replacement grille." Toyota Tundra Forum, published Jul. 28, 2017-Oct. 31, 2018 (Retrieved from the Internet Jun. 1, 2020). Internet URL: <<https://www.tundras.com/threads/eag-raptor-conversion-replacement-grille.15083/>> (Year: 2017).

Amped45. "Re: Sierra Grille." Sierra Grille: Exterior, published Oct. 13, 2017 (Retrieved from the Internet Mar. 1, 2020). Internet URL: <<https://www.silveradosierra.com/exterior/sierra-grille-t651849.html>> (Year: 2017).

\* cited by examiner

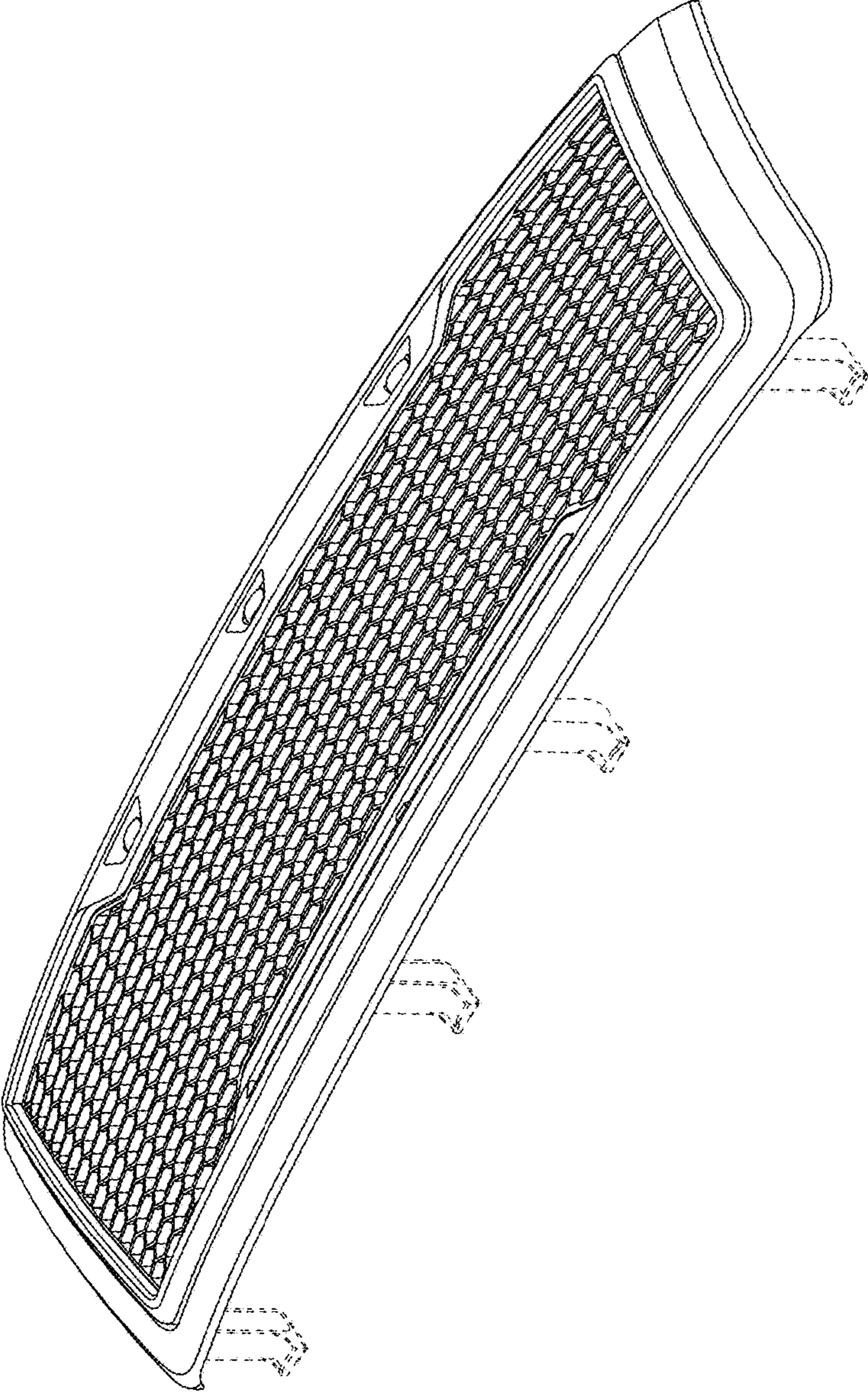


FIG. 1

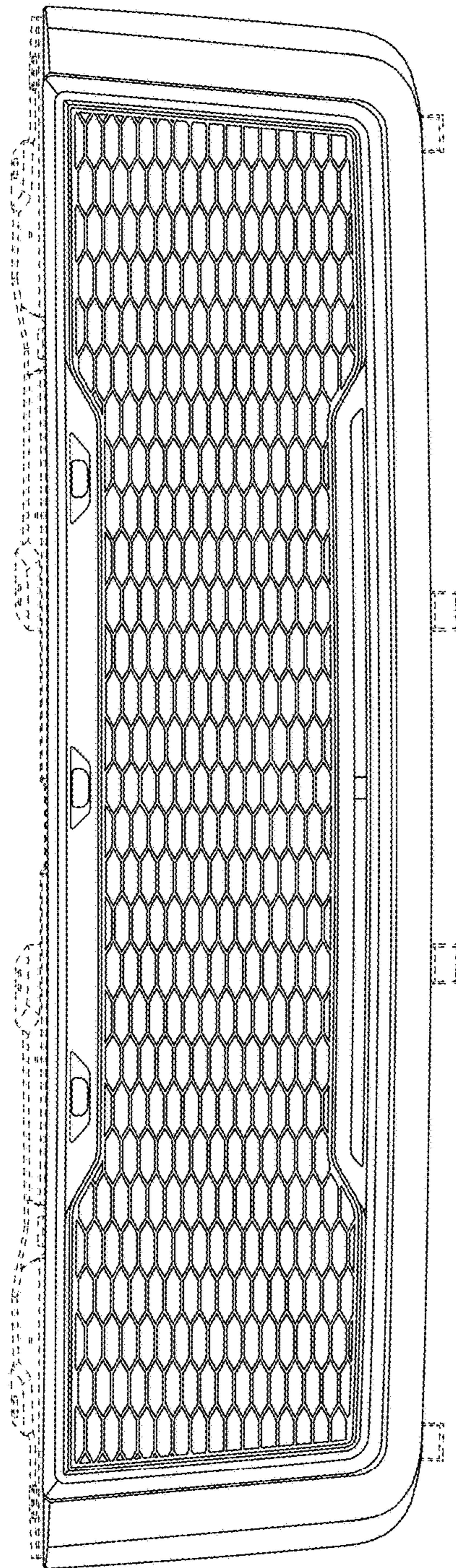


FIG. 2

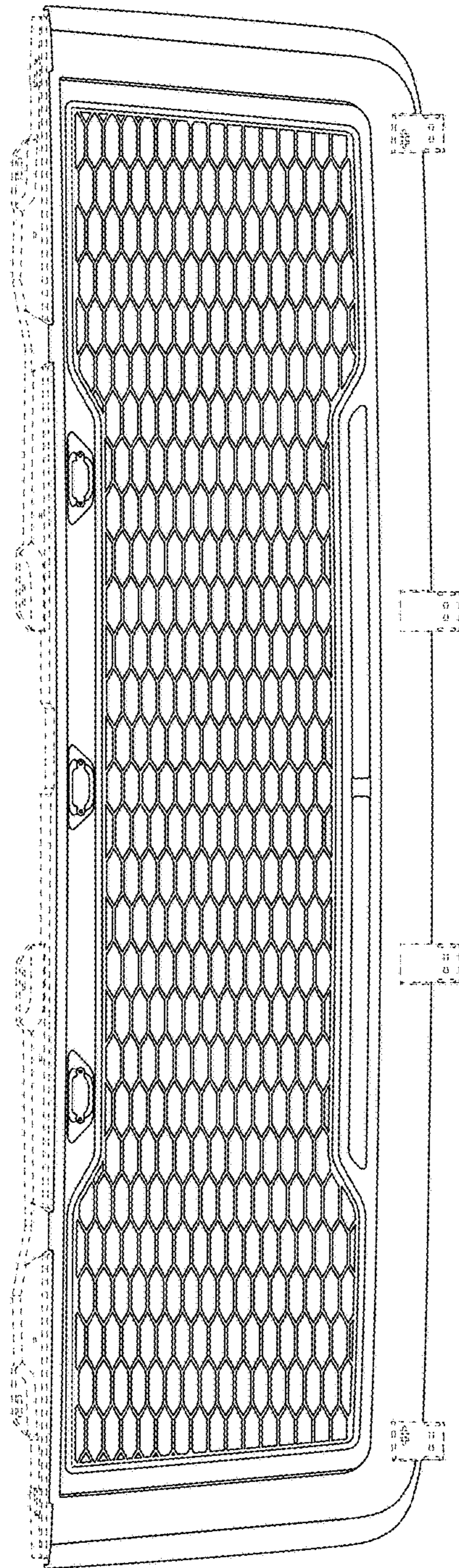


FIG. 3

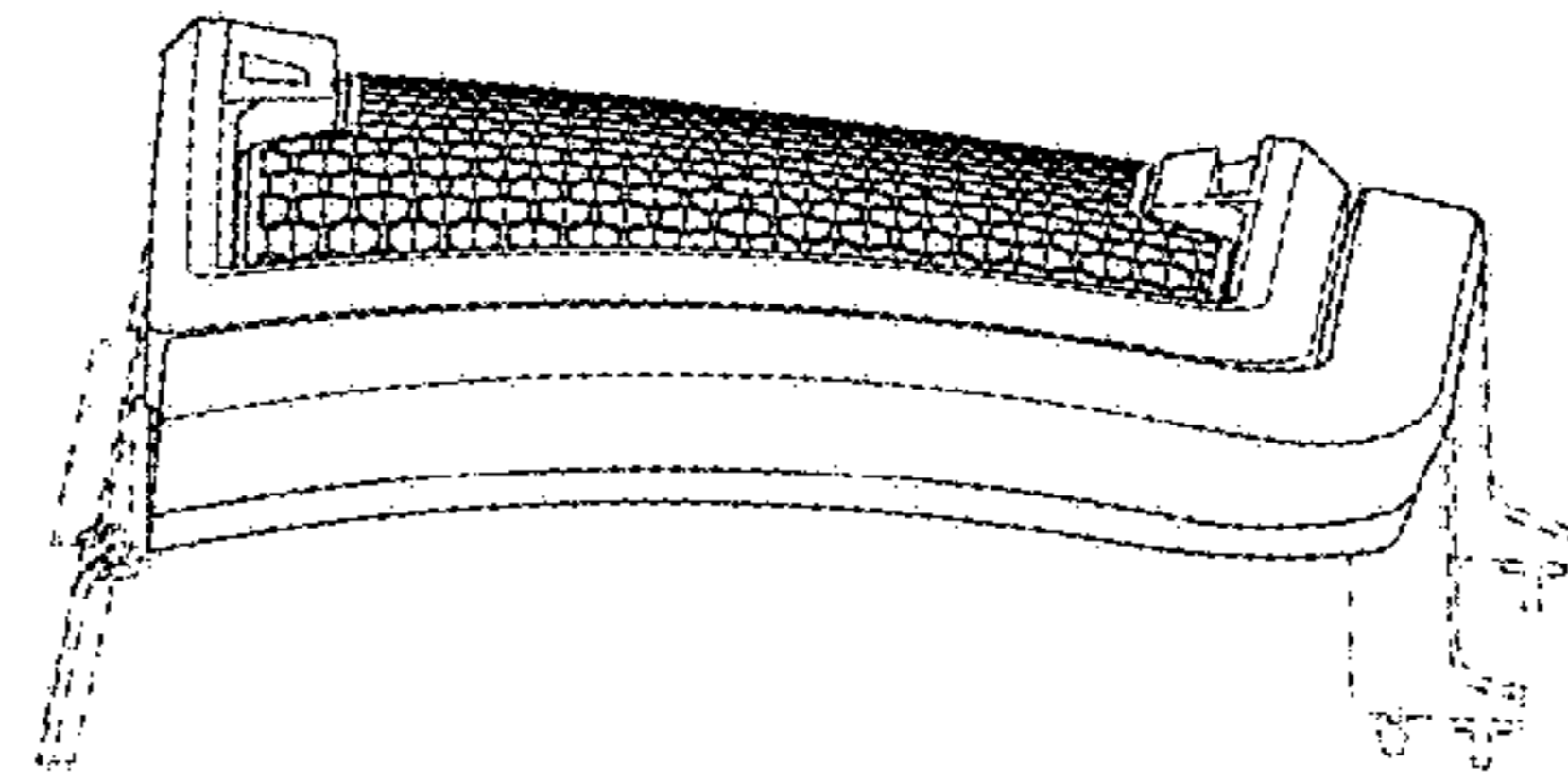


FIG. 4

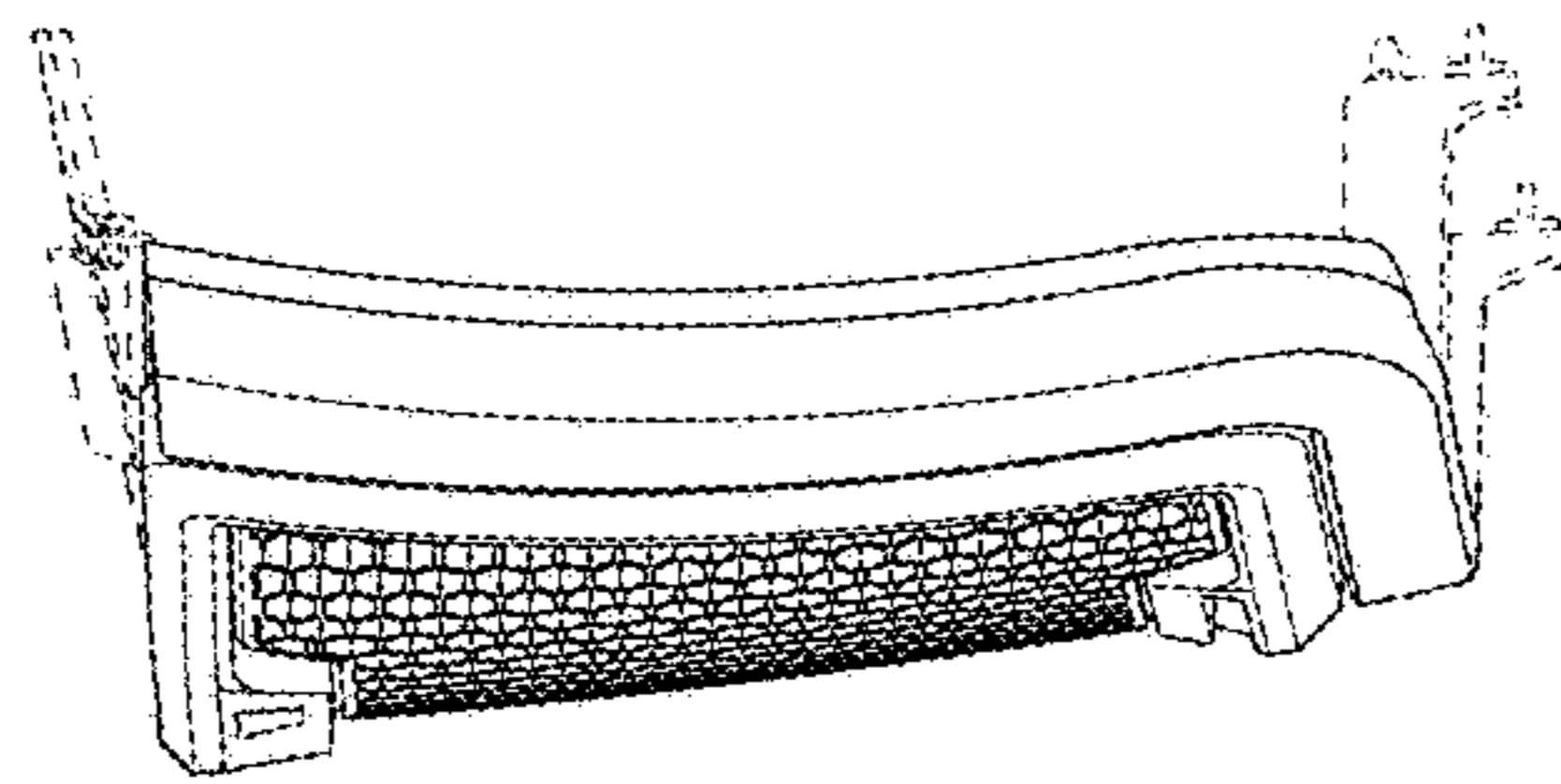


FIG. 5

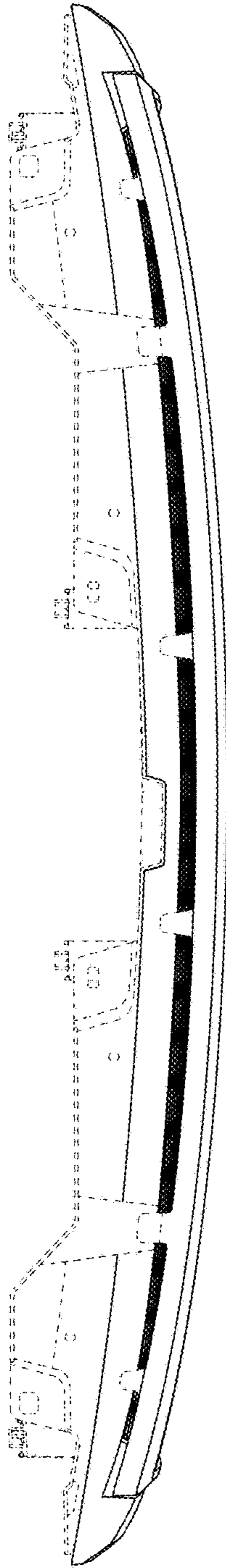


FIG. 6



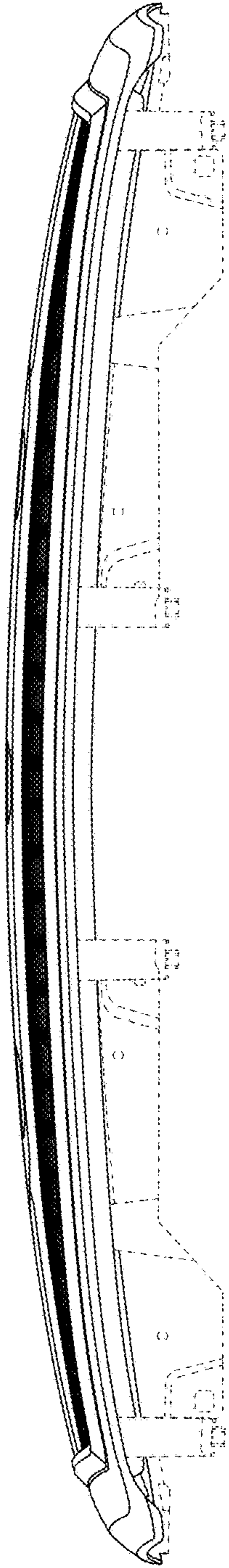


FIG. 7

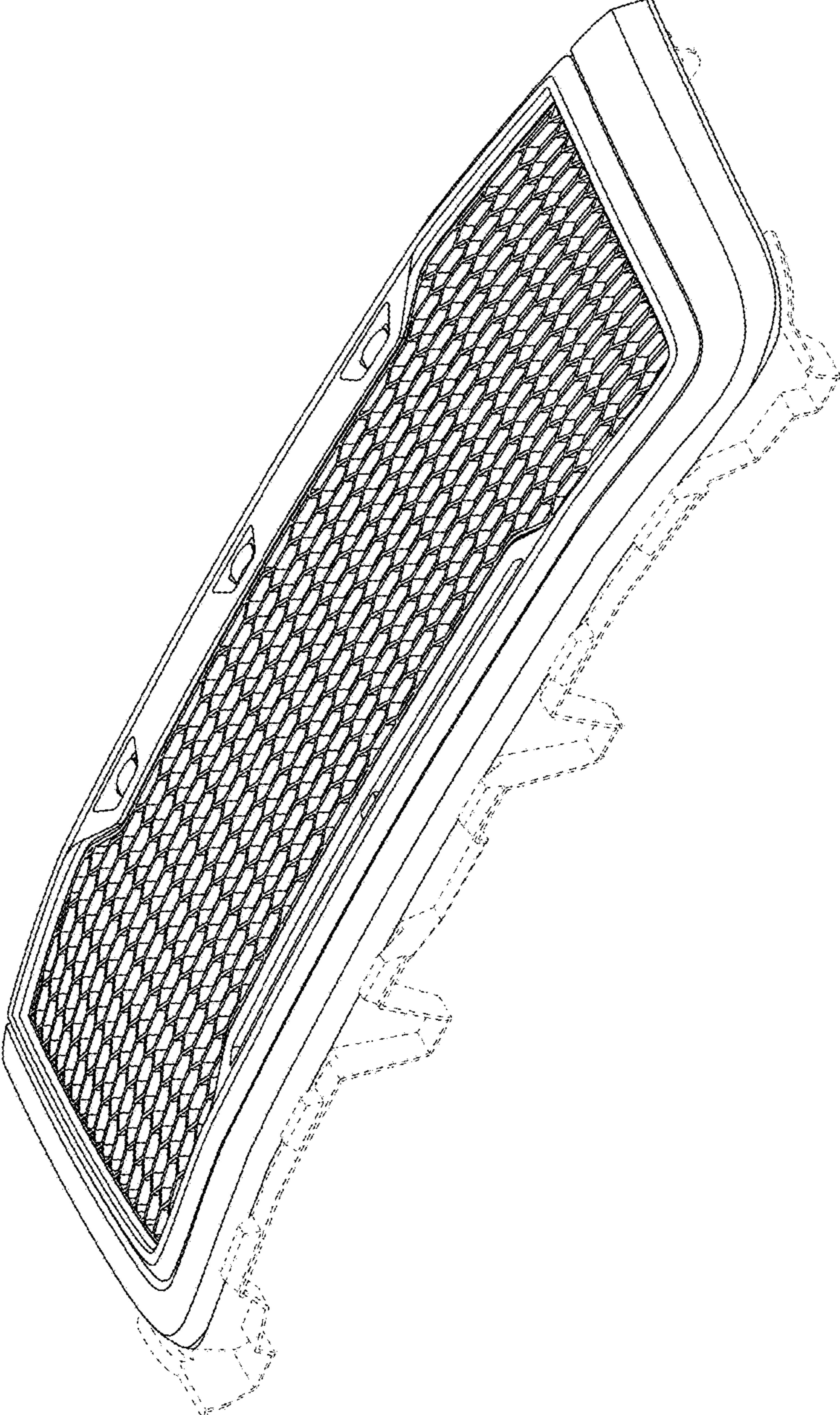


FIG. 8

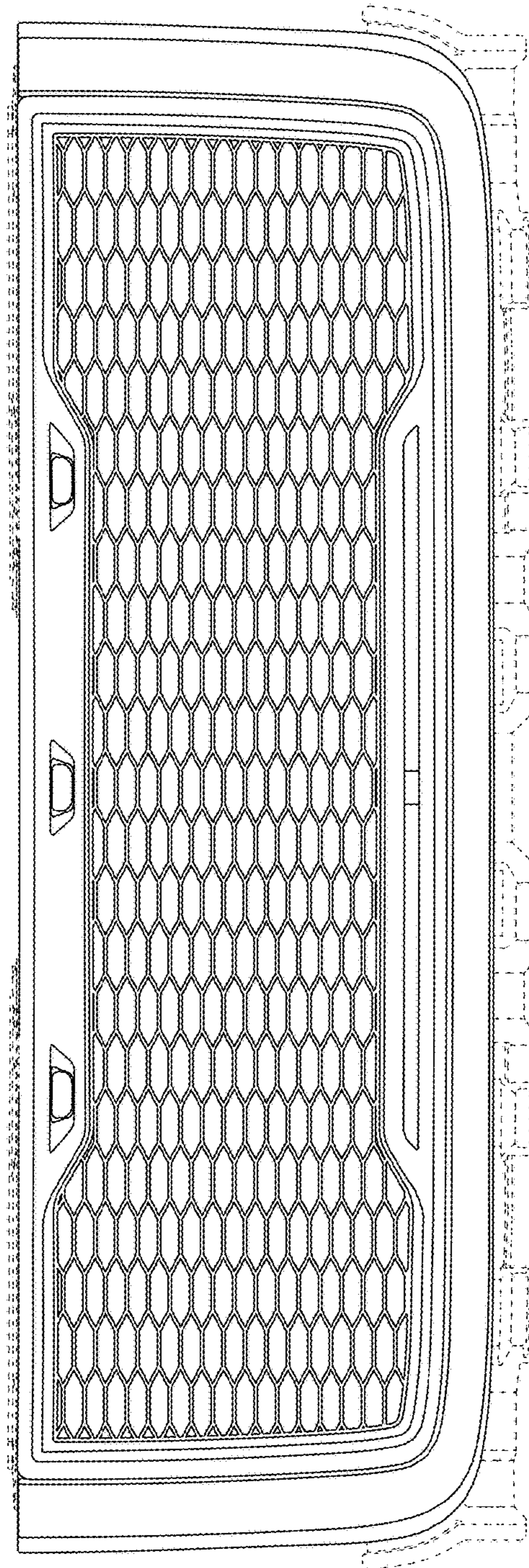


FIG. 9

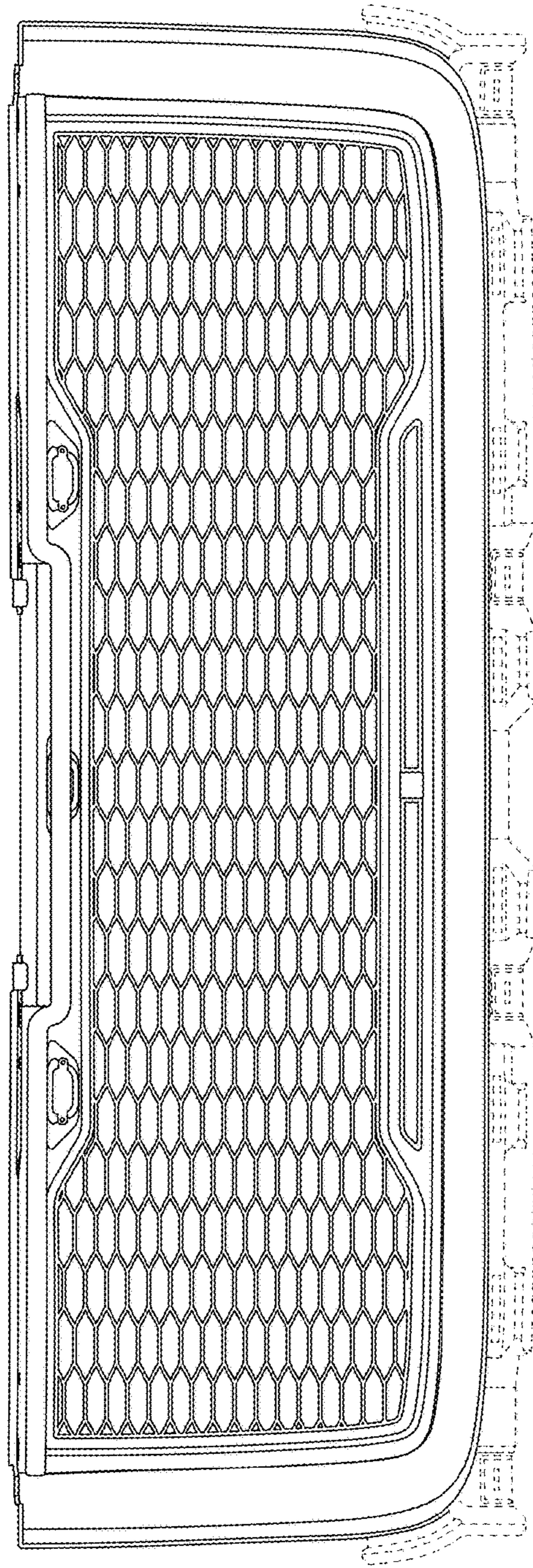


FIG. 10

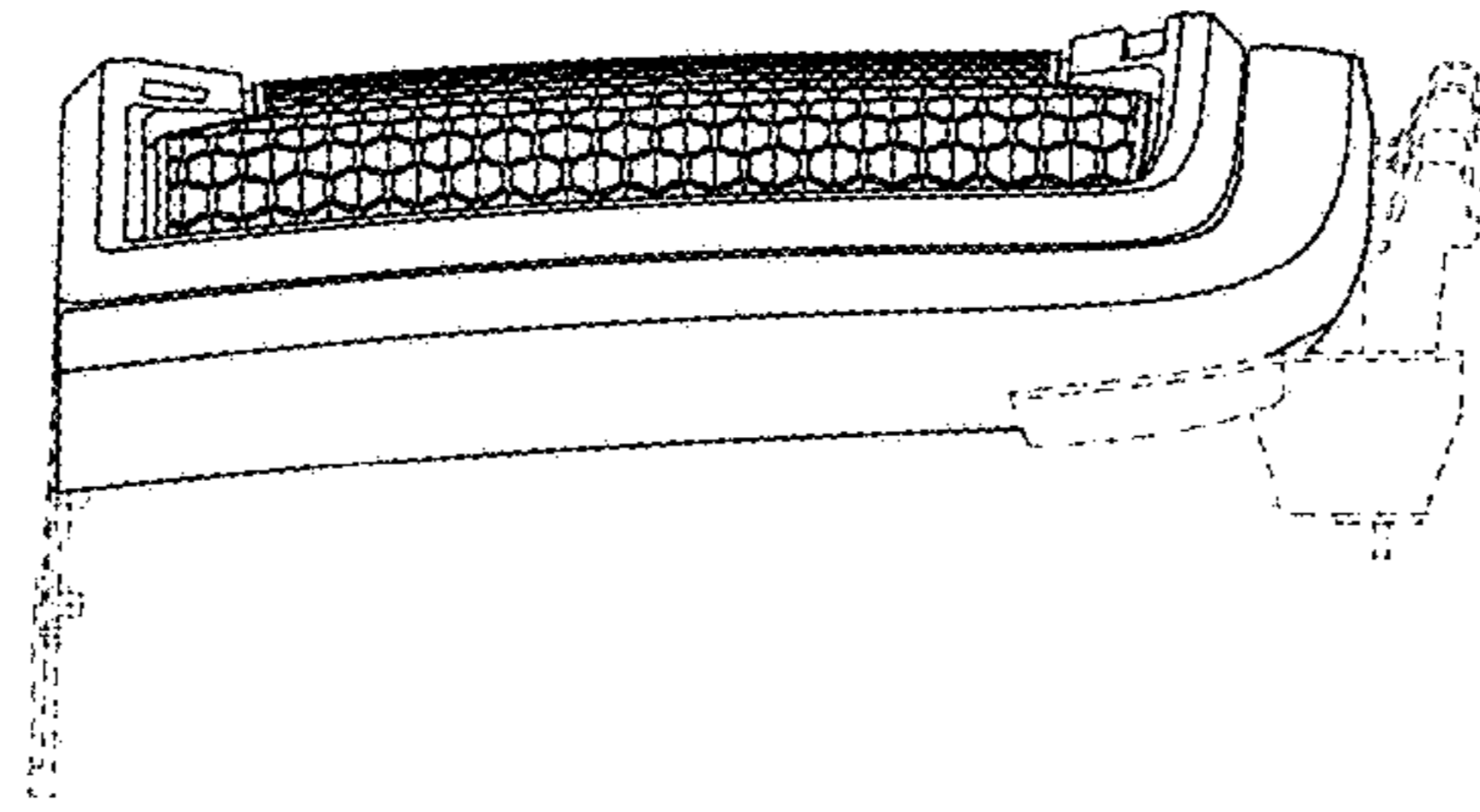


FIG. 11

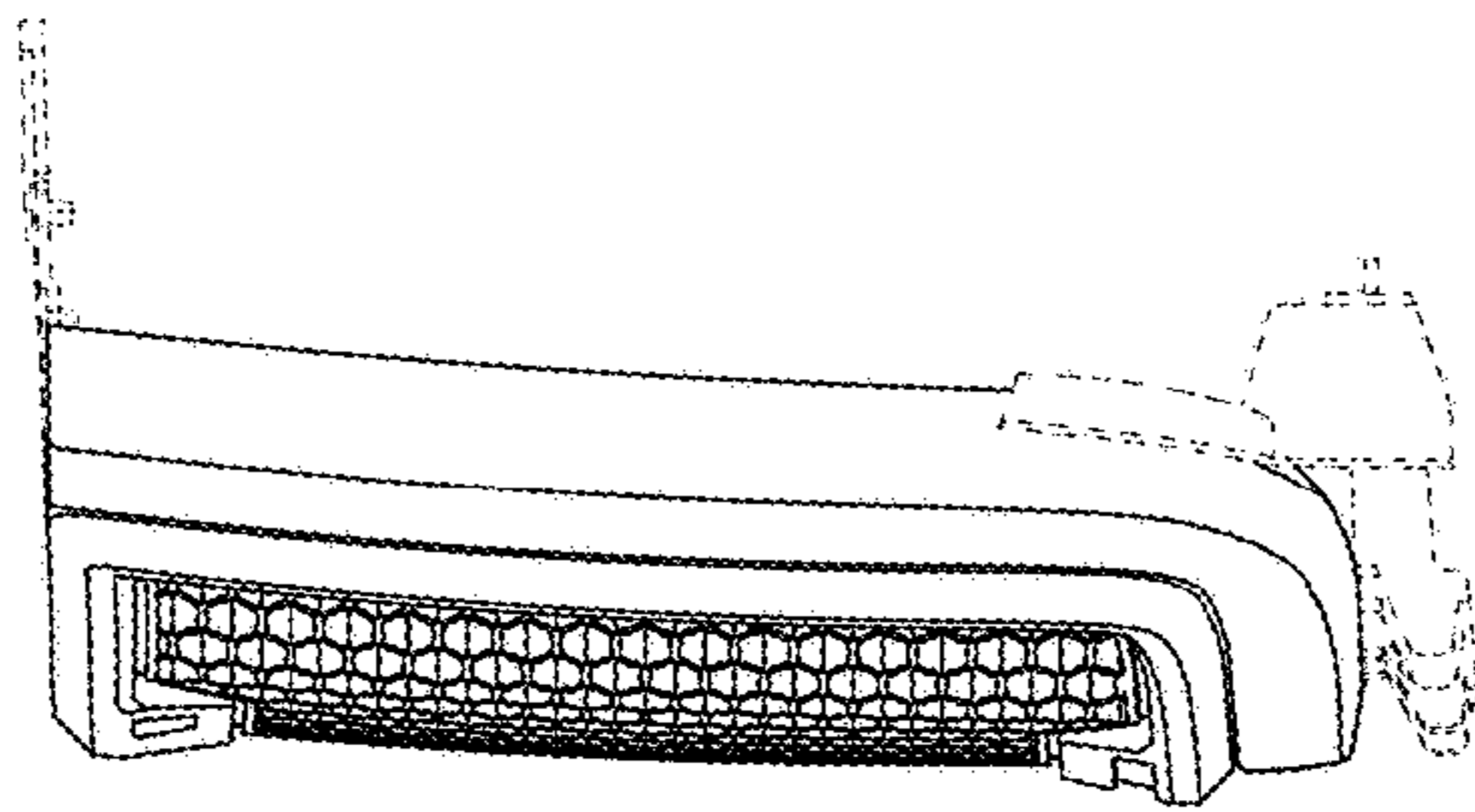


FIG. 12

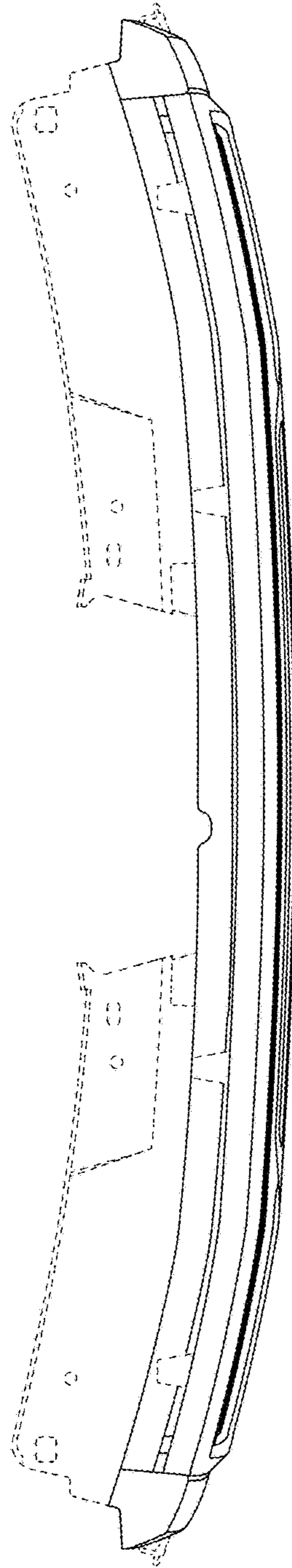


FIG. 13

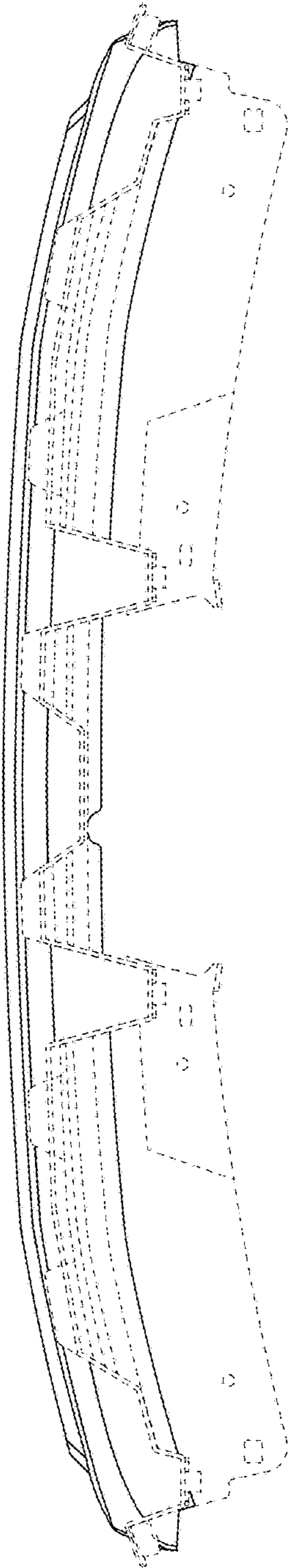


FIG. 14