



US00D898628S

(12) **United States Design Patent** (10) **Patent No.:** **US D898,628 S**  
**Sagen** (45) **Date of Patent:** **\*\* Oct. 13, 2020**

(54) **TOWING HITCH WITH SHIFTING FORK**

D869,997 S \* 12/2019 Borkholder ..... B60D 1/605  
D12/162

(71) Applicant: **Robert C. Sagen**, Arthur, ND (US)

D873,723 S \* 1/2020 Borkholder ..... D12/162

D876,290 S \* 2/2020 Kirkland ..... D12/162

(72) Inventor: **Robert C. Sagen**, Arthur, ND (US)

D879,670 S \* 3/2020 Borkholder ..... D12/162

D888,617 S \* 6/2020 Roysum ..... D12/162

(\*\*) Term: **15 Years**

\* cited by examiner

(21) Appl. No.: **29/704,083**

*Primary Examiner* — Katrina A Betton

(22) Filed: **Aug. 31, 2019**

(74) *Attorney, Agent, or Firm* — Johnson and Phung  
LLC; Thomas N. Phung

(51) **LOC (12) Cl.** ..... **12-16**

(57) **CLAIM**

(52) **U.S. Cl.**  
USPC ..... **D12/162**

I claim the ornamental design for a towing hitch with  
shifting fork, as shown and described.

(58) **Field of Classification Search**  
USPC ..... D12/159–162  
CPC . B60D 1/60; B60D 1/065; B60D 1/00; B60D  
1/06; B60D 1/36  
See application file for complete search history.

**DESCRIPTION**

(56) **References Cited**

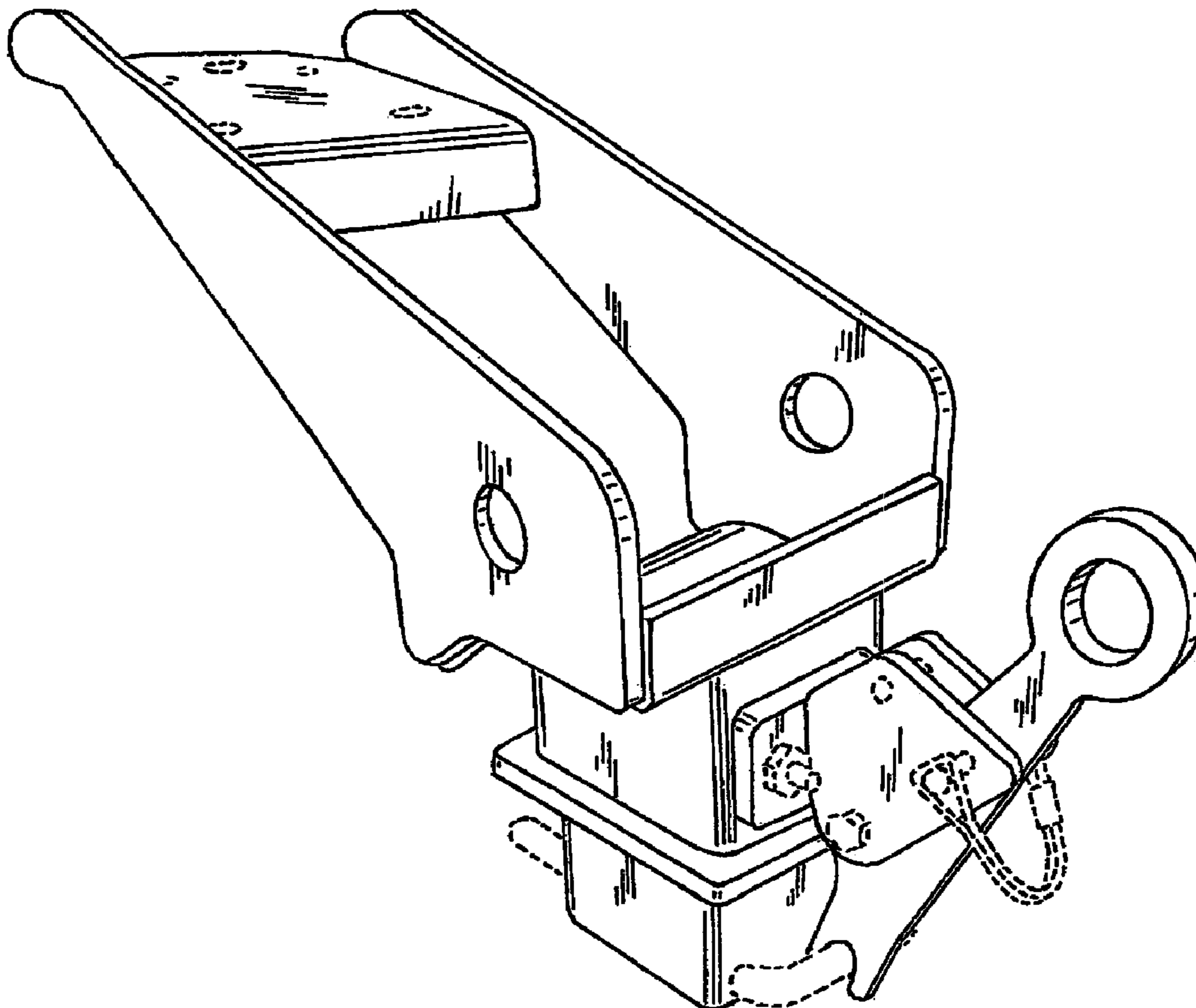
**U.S. PATENT DOCUMENTS**

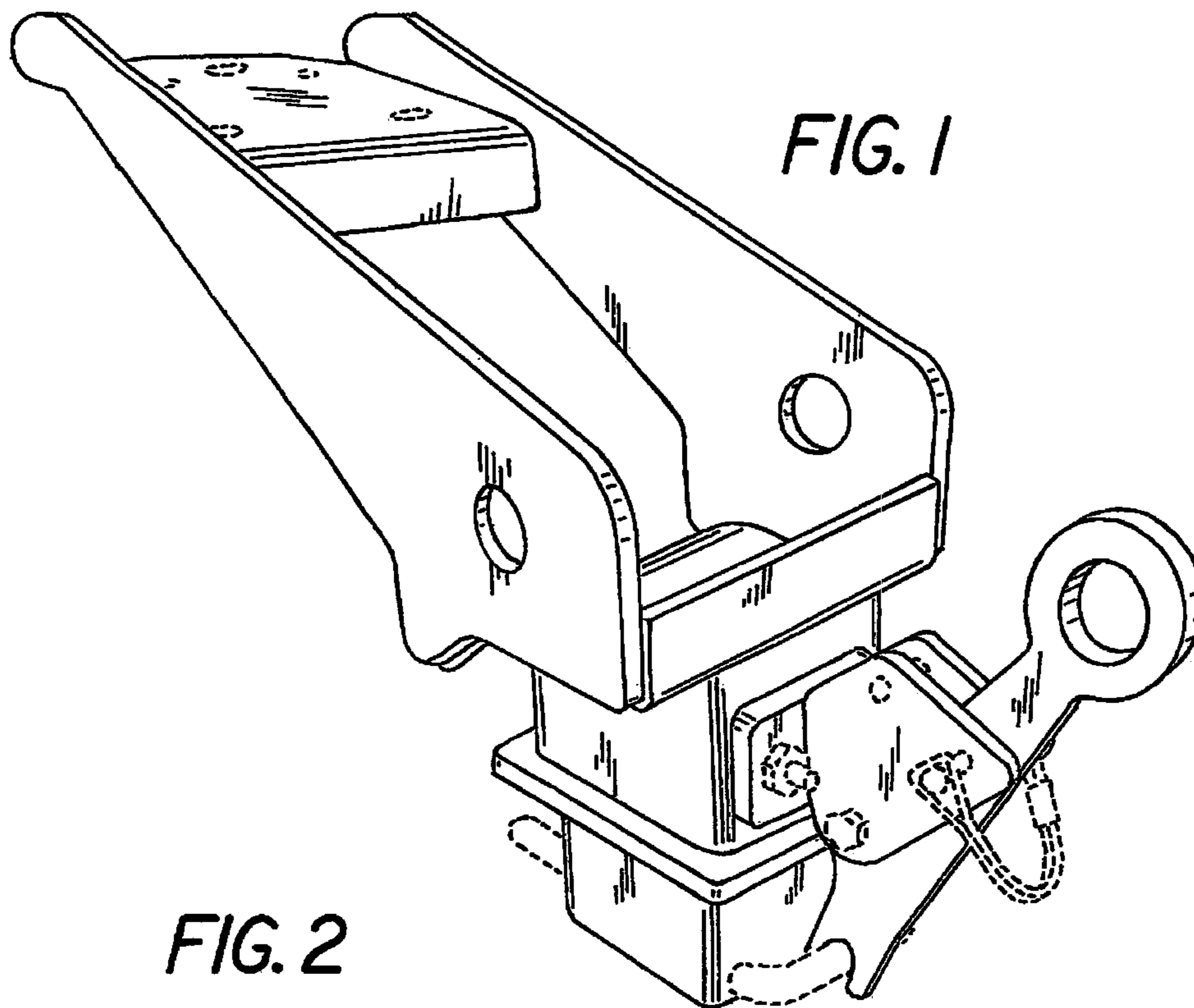
- D729,704 S \* 5/2015 Song ..... D12/162
- D794,515 S \* 8/2017 McCuskey ..... D12/162
- D800,611 S \* 10/2017 Ramirez, Jr. .... D12/162
- D847,697 S \* 5/2019 McCuskey ..... D12/162
- D851,545 S \* 6/2019 McCuskey ..... D12/162
- D854,971 S \* 7/2019 McCuskey ..... D12/162
- D856,199 S \* 8/2019 Siegel ..... D12/162

FIG. 1 is a perspective view of a towing hitch with shifting  
fork, showing my design;  
FIG. 2 is a front elevation view thereof;  
FIG. 3 is a left side elevation view thereof;  
FIG. 4 is a rear elevation view thereof;  
FIG. 5 is right side elevation view thereof;  
FIG. 6 is a top plan view thereof; and,  
FIG. 7 is a bottom plan view thereof.

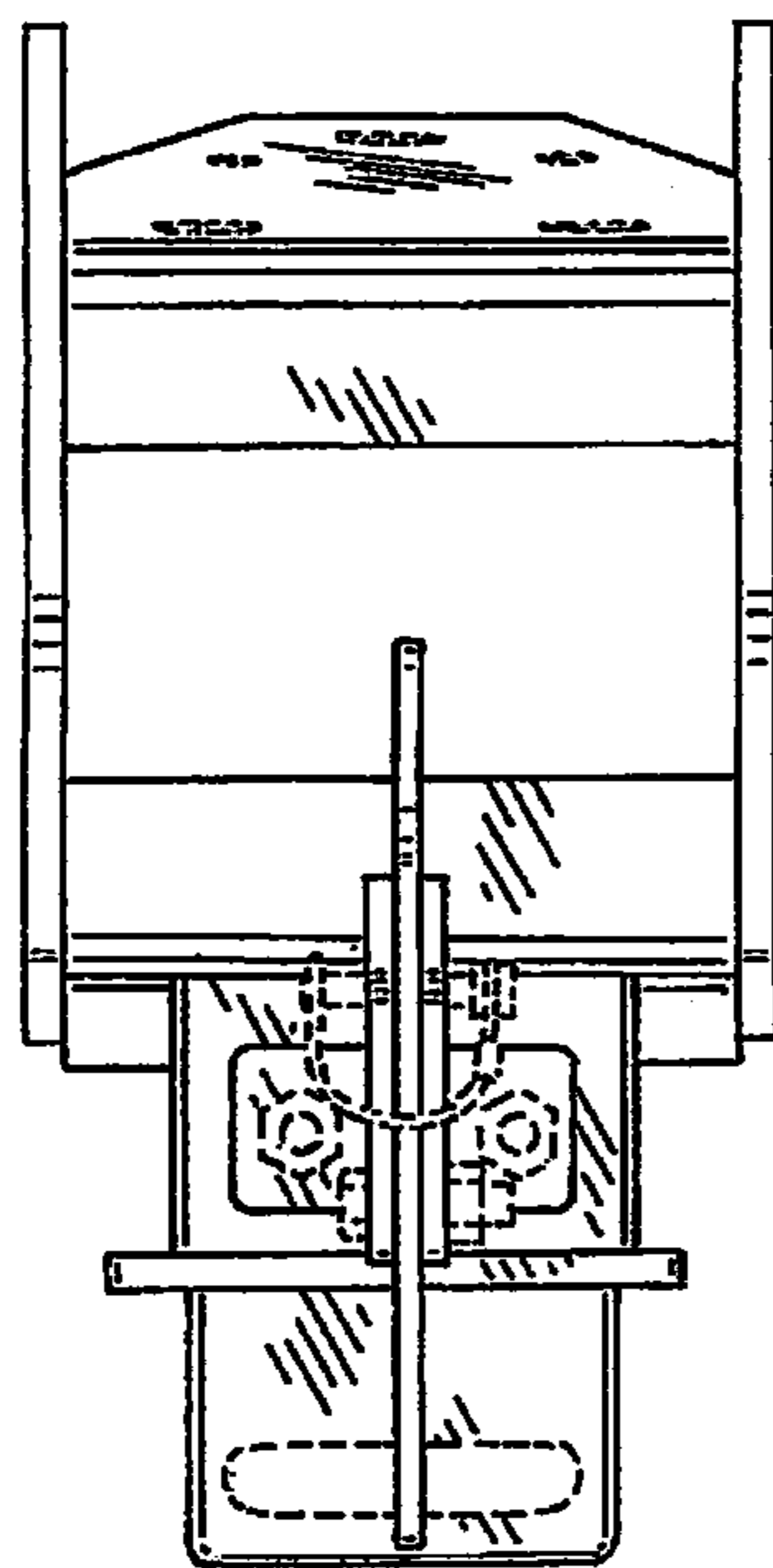
The broken line portion of the figure drawings is included to  
show portions of the article that form no part of the claimed  
design.

**1 Claim, 3 Drawing Sheets**





*FIG. 2*



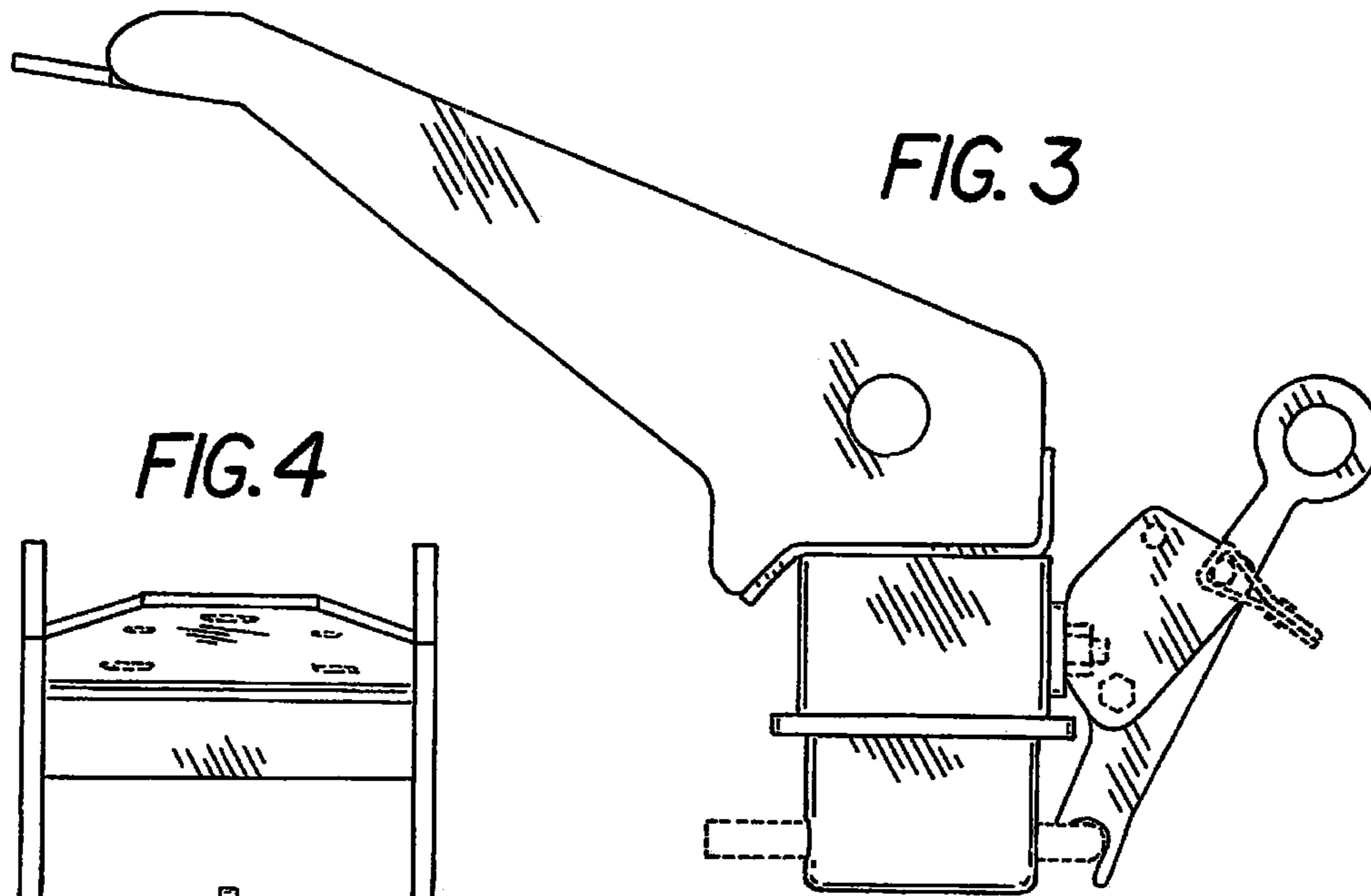


FIG. 3

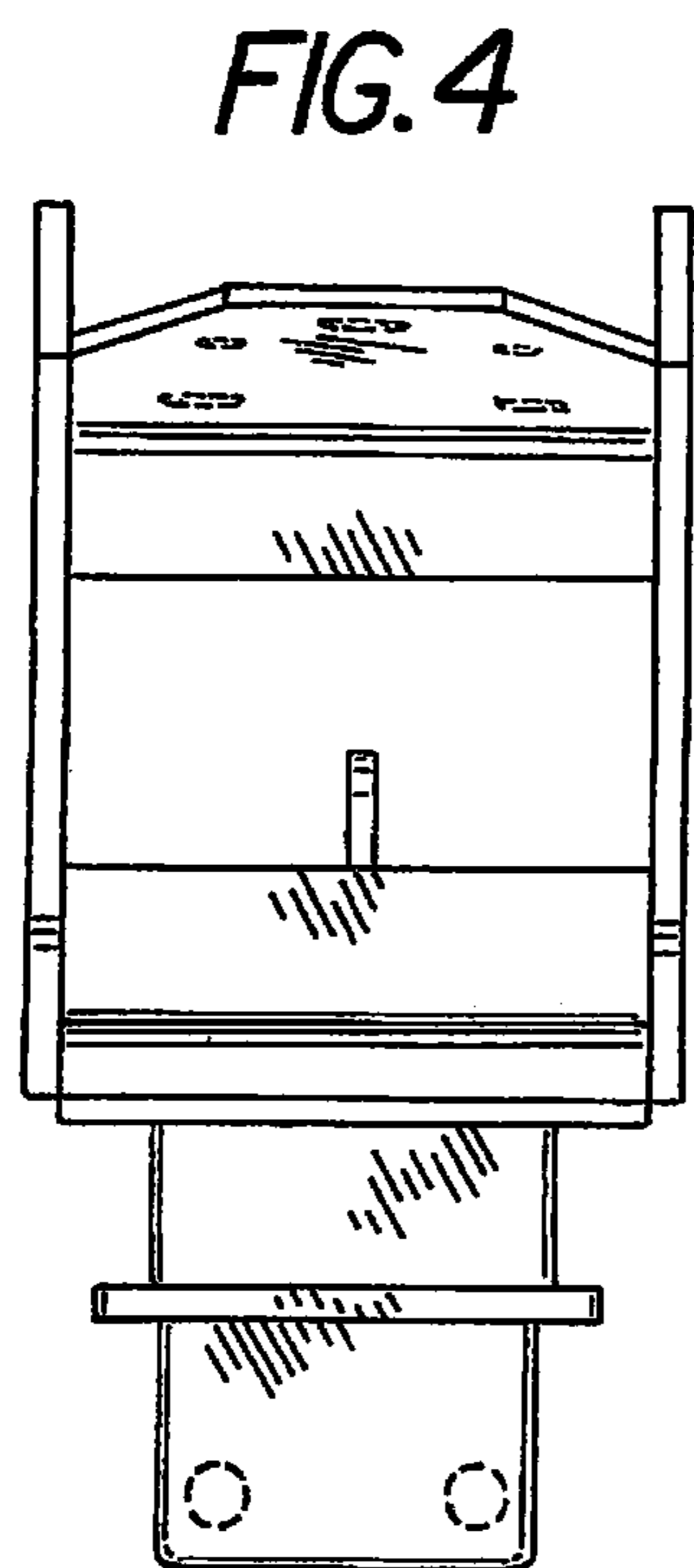


FIG. 4

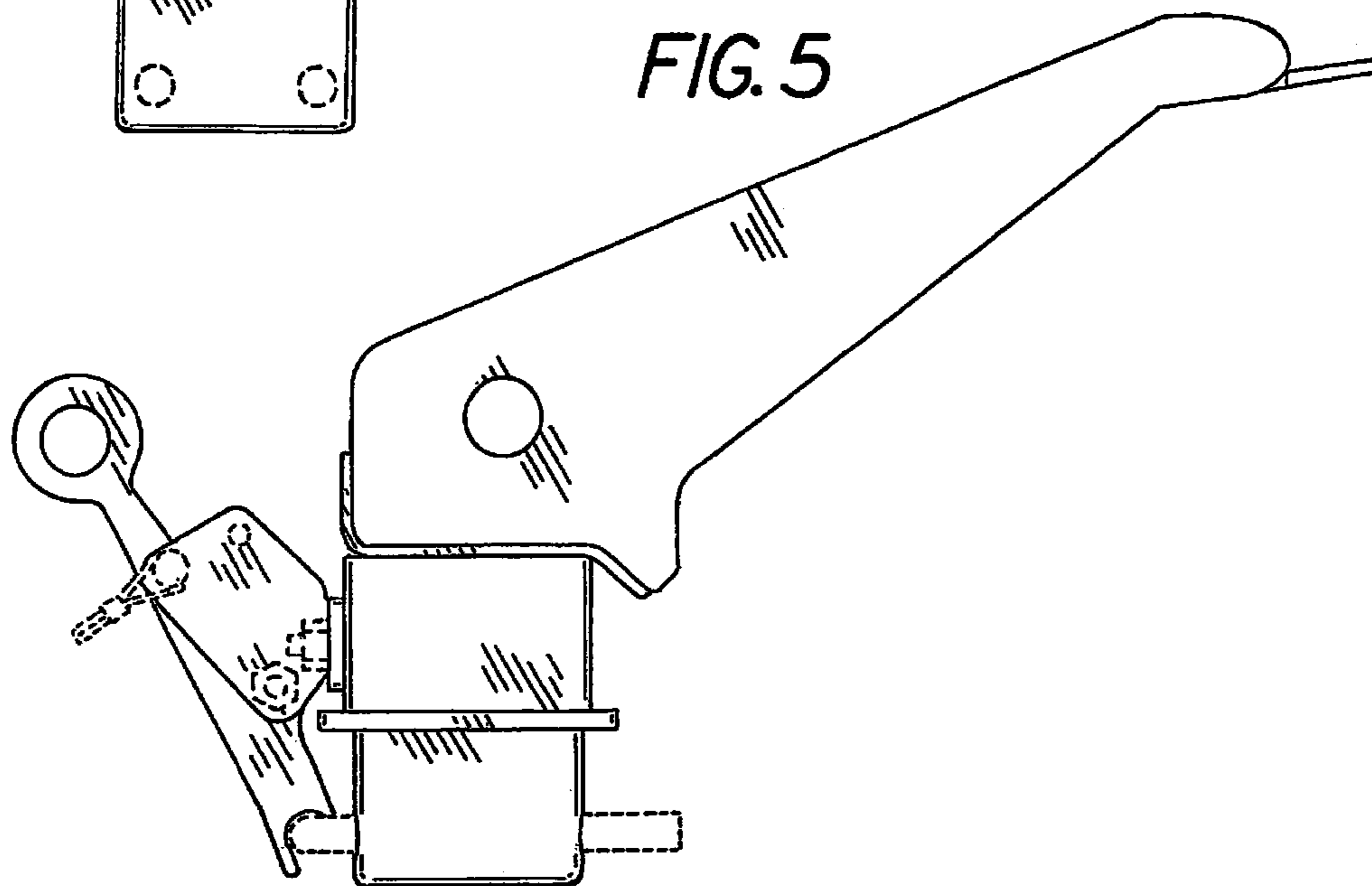


FIG. 5

FIG. 6

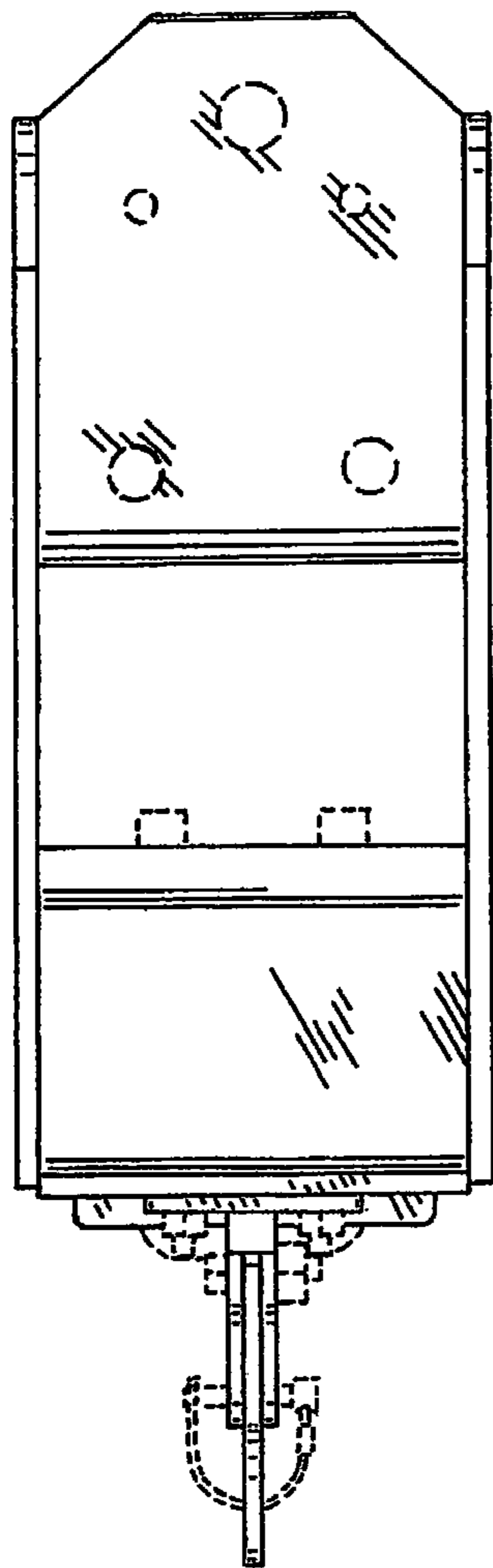


FIG. 7

