



US00D898627S

(12) **United States Design Patent**
Johansson et al.

(10) **Patent No.:** **US D898,627 S**
(45) **Date of Patent:** **** Oct. 13, 2020**

- (54) **CHILD MOBILITY DEVICE**
- (71) Applicants: **Paul Johnny Johansson**, Fort Lauderdale, FL (US); **Paul David Johansson**, Wellington, FL (US)
- (72) Inventors: **Paul Johnny Johansson**, Fort Lauderdale, FL (US); **Paul David Johansson**, Wellington, FL (US)
- (73) Assignee: **NOA International, Inc.**, West Palm Beach, FL (US)
- (**) Term: **15 Years**
- (21) Appl. No.: **29/688,173**
- (22) Filed: **Apr. 18, 2019**
- (51) **LOC (12) Cl.** **12-12**
- (52) **U.S. Cl.**
USPC **D12/129**
- (58) **Field of Classification Search**
USPC D12/128-133; D21/434-435
CPC B62B 7/00-04; B62B 9/00-28
See application file for complete search history.

7,219,920 B2 *	5/2007	Lin	B62B 1/045
				280/47.24
D571,866 S *	6/2008	On	D21/435
D582,488 S *	12/2008	Badanjo	D21/435
D594,788 S *	6/2009	Hartlaub	D12/113
D777,607 S *	1/2017	Fitzwater	D12/112
D787,378 S *	5/2017	Ostergaard	D12/112
9,789,893 B2 *	10/2017	Young	B62B 7/12
2004/0173997 A1 *	9/2004	Voll	A47C 7/006
				280/652
2008/0296326 A1 *	12/2008	Berlin	A45F 5/02
				224/184
2011/0278815 A1 *	11/2011	Khare	B62K 21/00
				280/279
2014/0217696 A1 *	8/2014	Bartels	B62H 7/00
				280/274

* cited by examiner

Primary Examiner — Charles D Hanson

(57) **CLAIM**

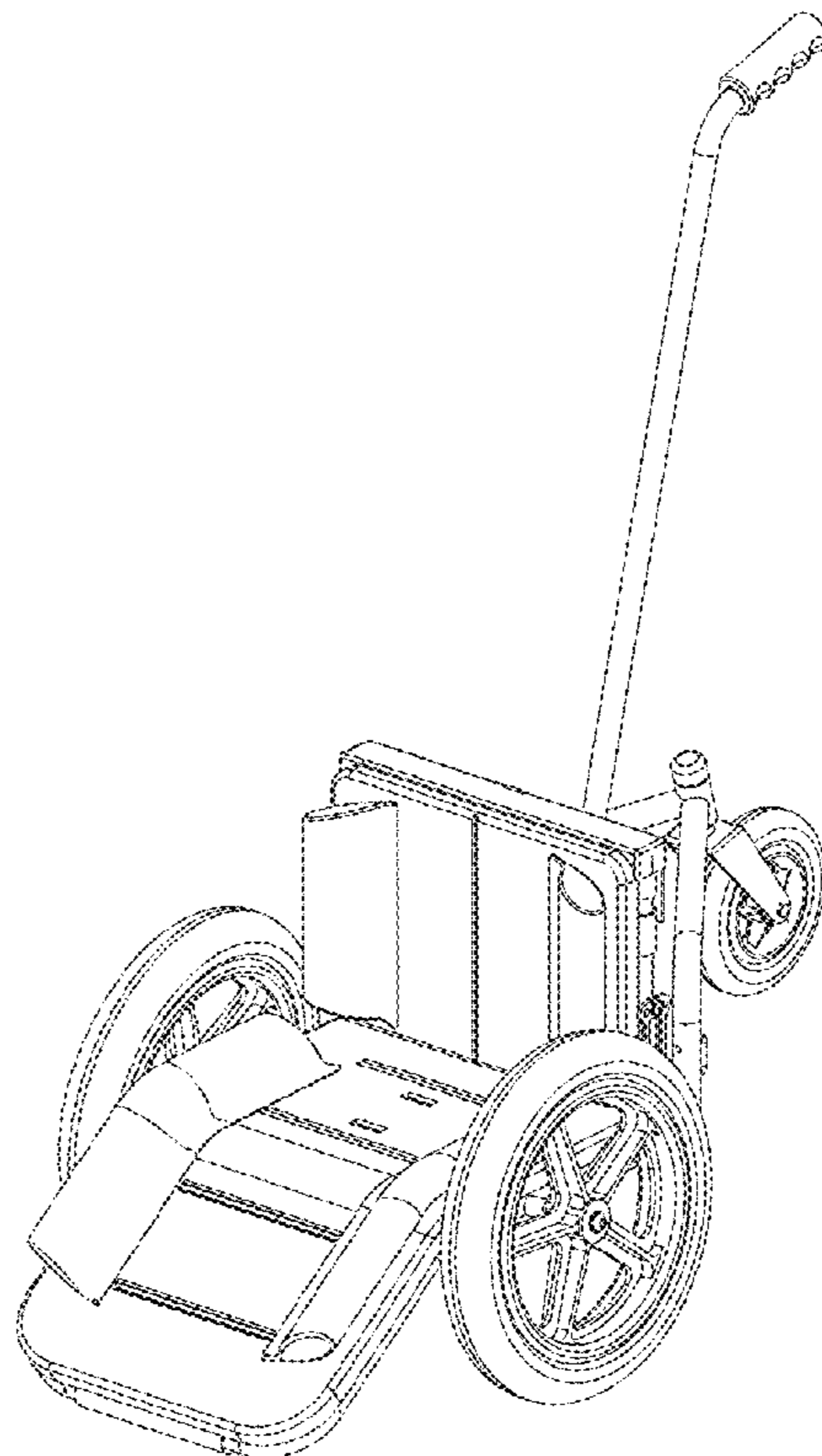
The ornamental design for a child mobility device, as shown.

DESCRIPTION

FIG. 1 is a perspective view of the child mobility device of the instant invention;
FIG. 2 is a front elevational view thereof;
FIG. 3 is a rear elevational view thereof;
FIG. 4 is a left side elevational view thereof;
FIG. 5 is a right side elevational view thereof;
FIG. 6 is a top plan view thereof; and,
FIG. 7 is a bottom plan view thereof.

1 Claim, 7 Drawing Sheets

- (56) **References Cited**
U.S. PATENT DOCUMENTS
- 4,834,403 A * 5/1989 Yanus B60N 2/2848
188/20
- 5,104,134 A * 4/1992 Cone B60N 2/2848
280/30



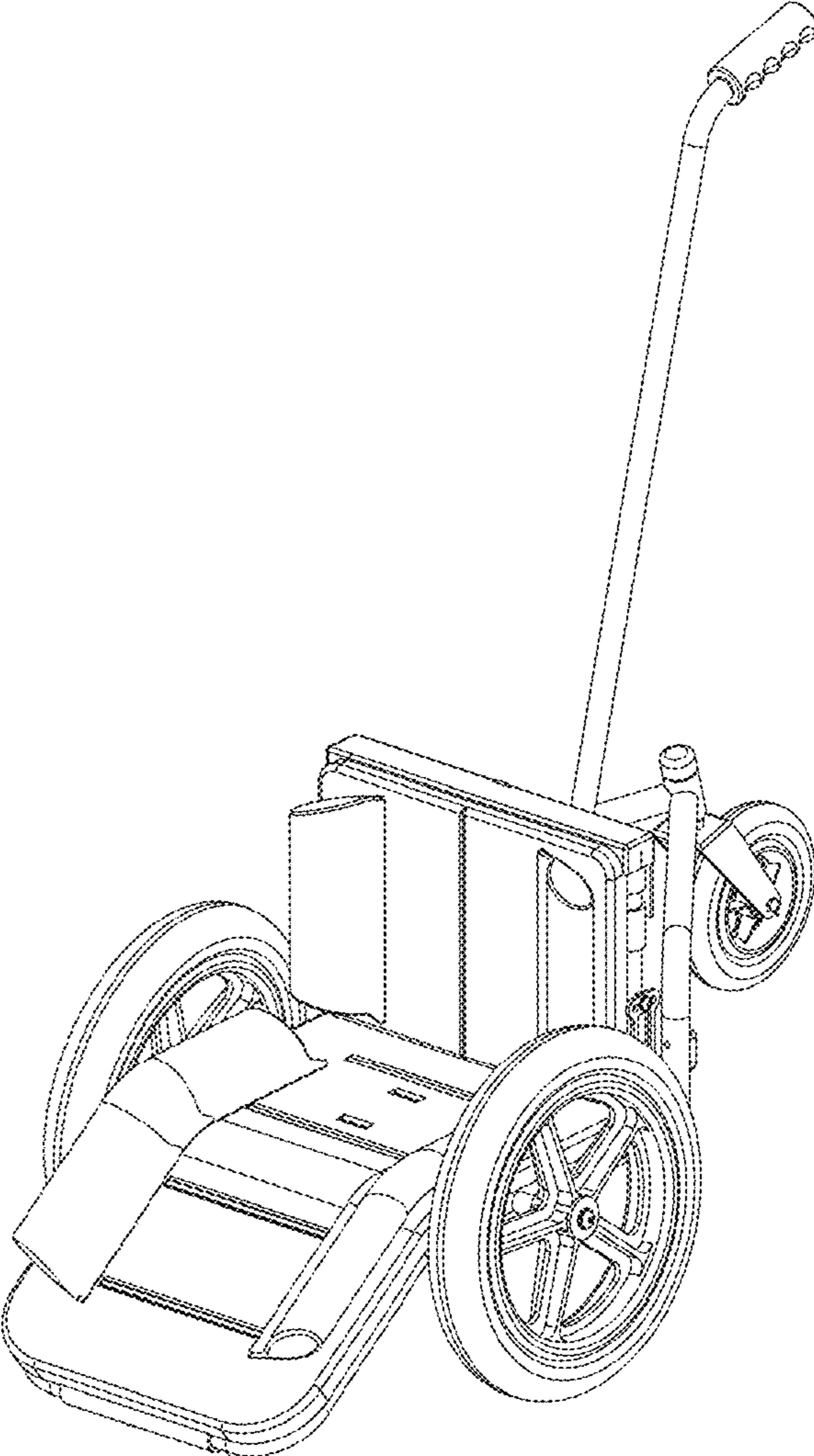


FIG. 1

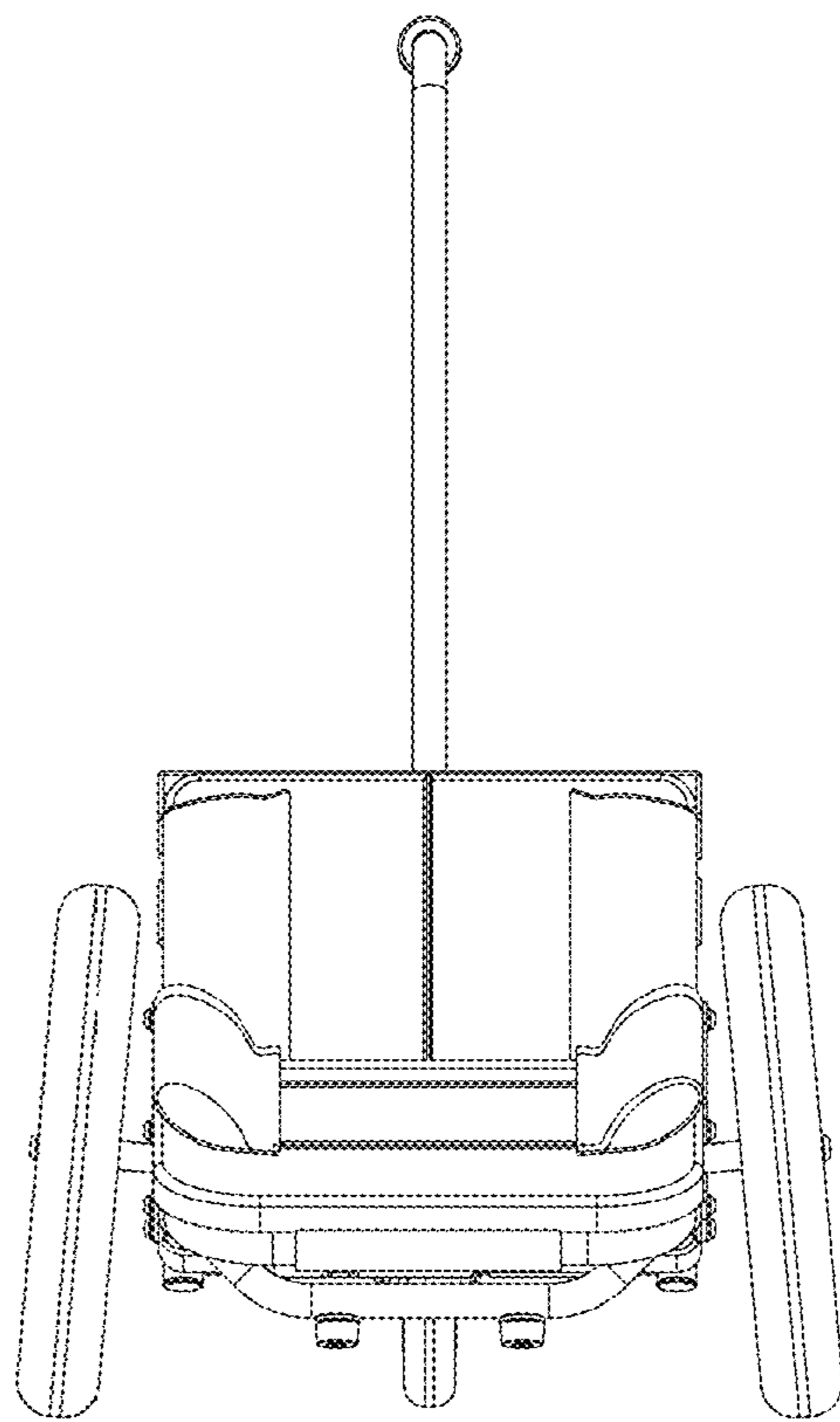


FIG. 2

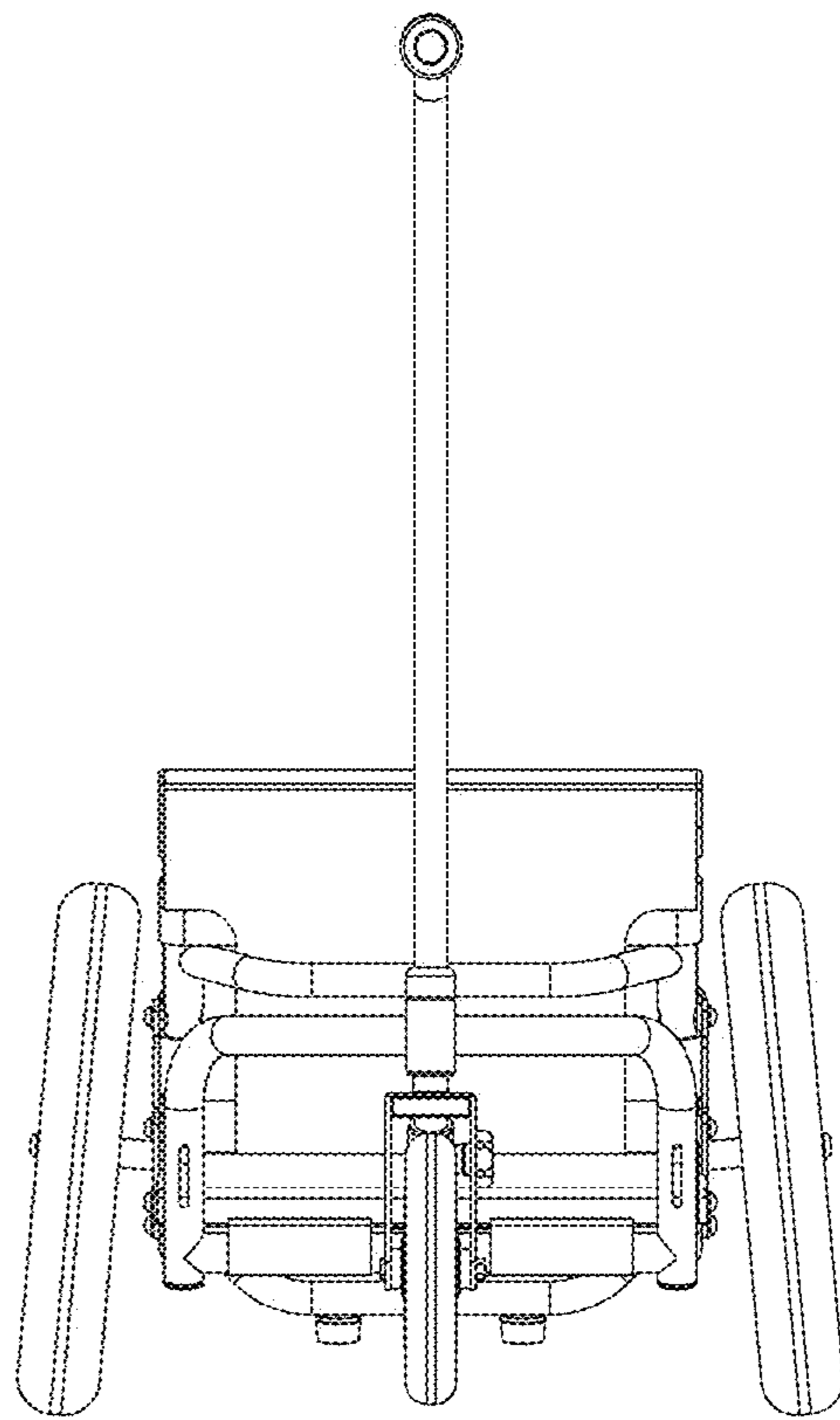


FIG. 3

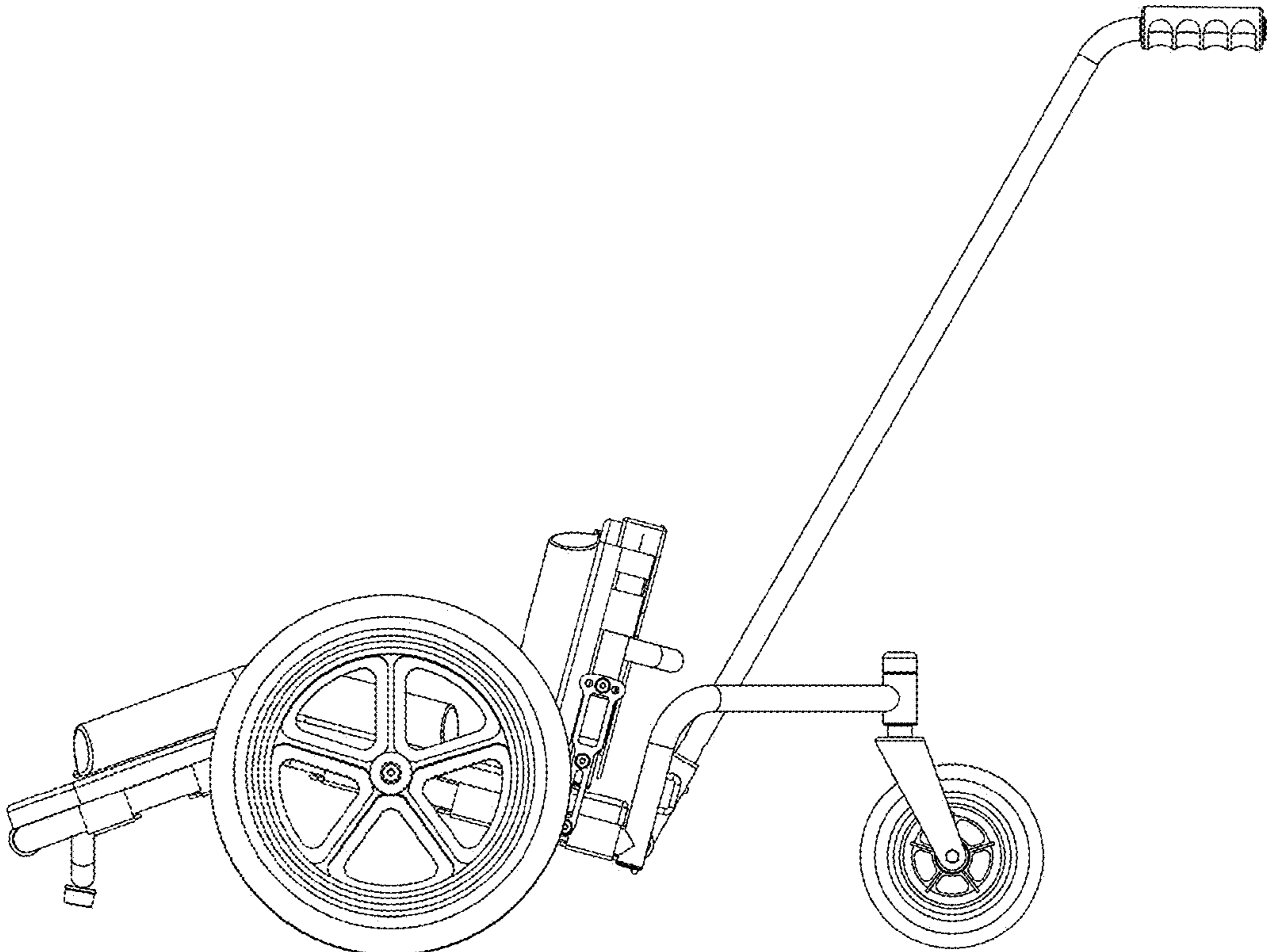


FIG. 4

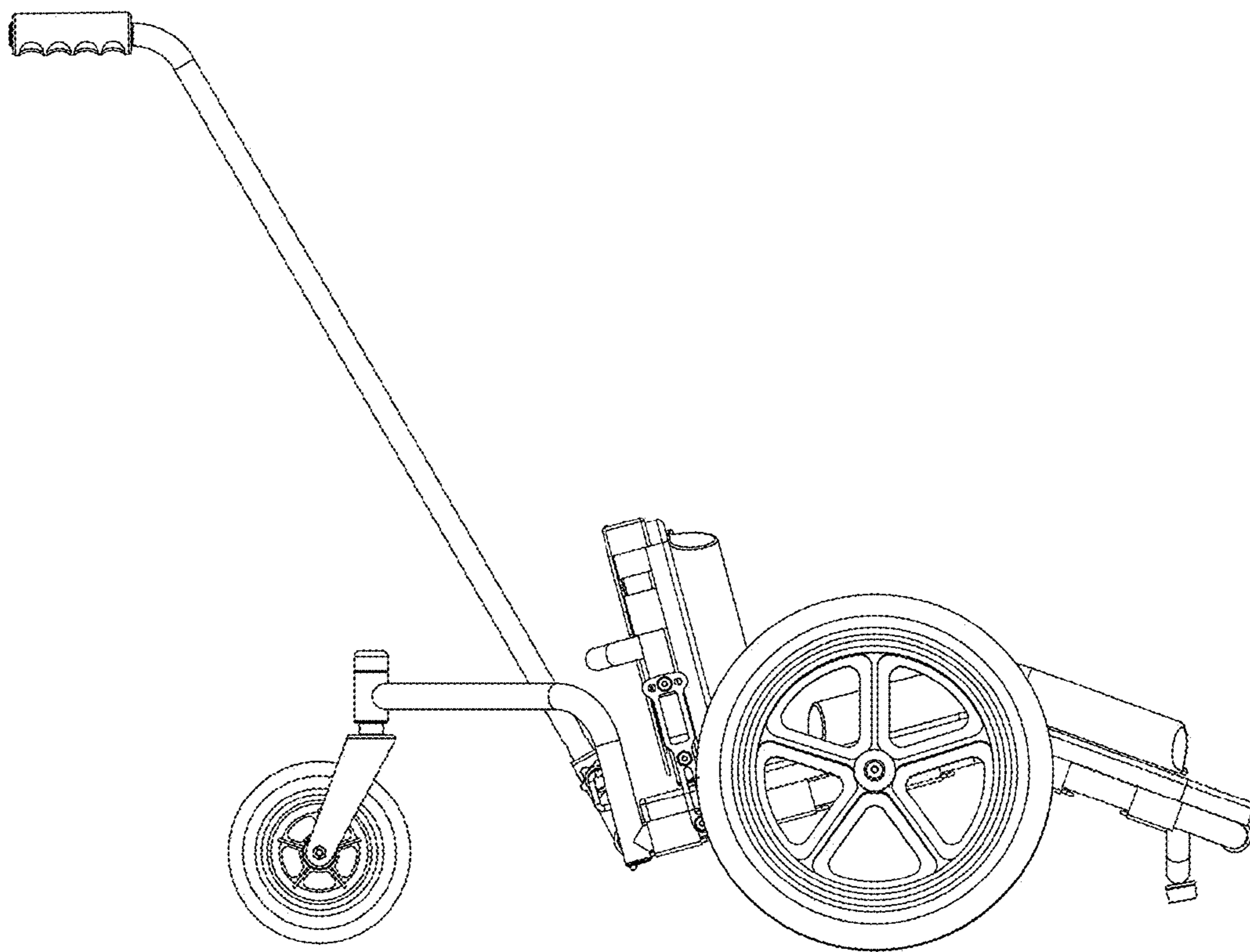


FIG. 5

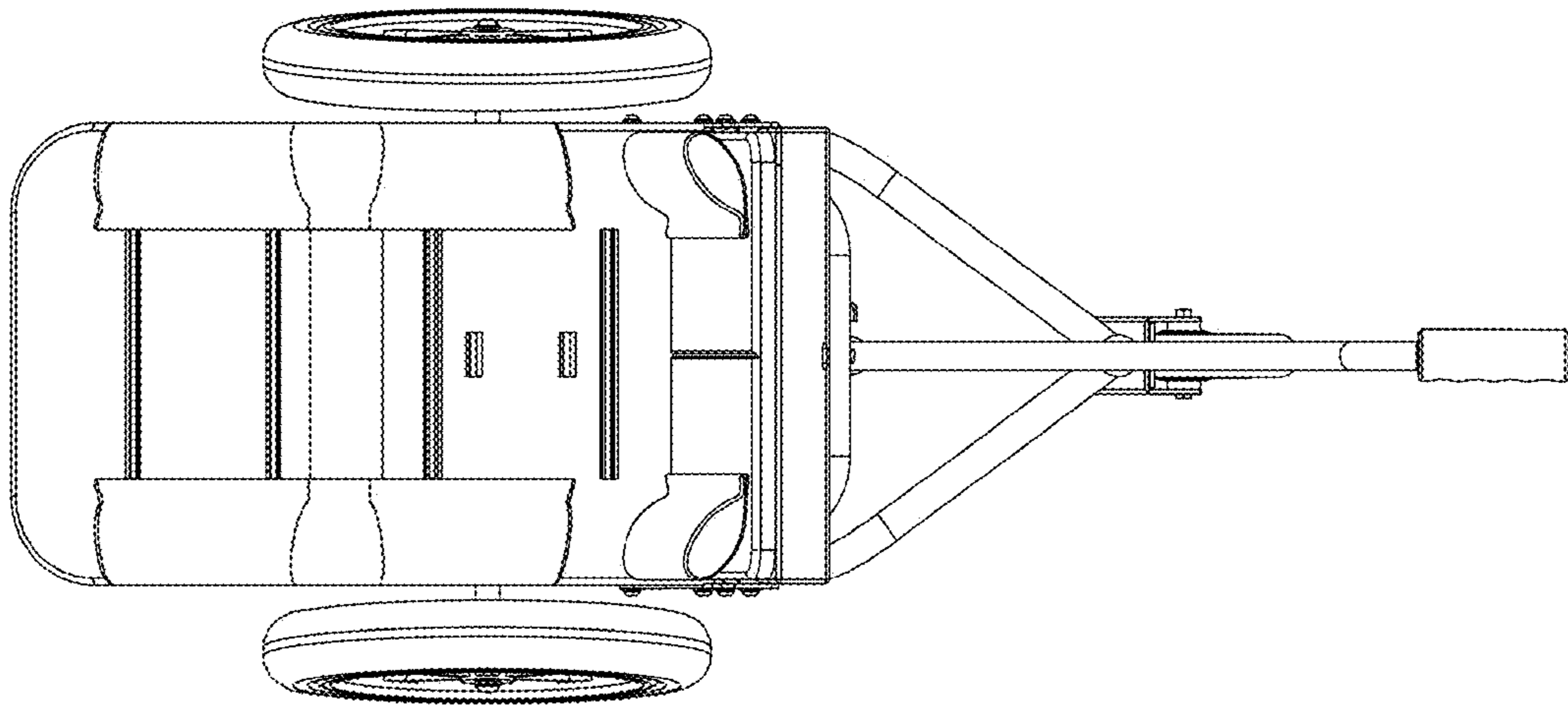


FIG. 6

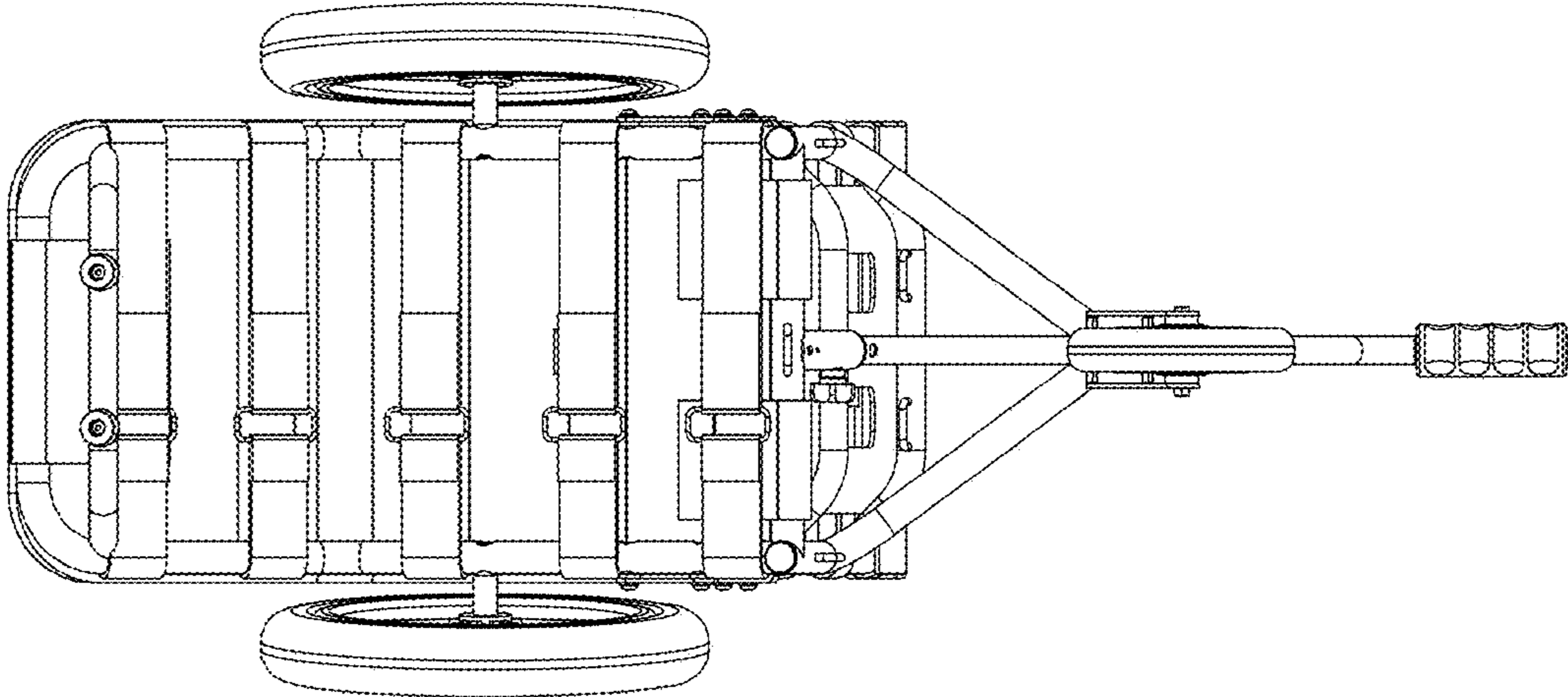


FIG. 7