



US00D898625S

(12) **United States Design Patent**  
**Lin**

(10) **Patent No.:** **US D898,625 S**  
(45) **Date of Patent:** **\*\* Oct. 13, 2020**

- (54) **ELECTRIC BICYCLE**
- (71) Applicant: **Guangzhou Myatu Pedelec Technology Co., Ltd.**, Guangzhou, Guangdong (CN)
- (72) Inventor: **Guoai Lin**, Guangdong (CN)
- (73) Assignee: **Guangzhou Myatu Pedelec Technology Co., Ltd.**, Guangzhou (CN)
- (\*\*) Term: **15 Years**
- (21) Appl. No.: **29/671,165**
- (22) Filed: **Nov. 23, 2018**
- (51) **LOC (12) Cl.** ..... **12-11**
- (52) **U.S. Cl.**  
USPC ..... **D12/111**
- (58) **Field of Classification Search**  
USPC ..... D12/111, 107, 114, 117, 159; D21/419, D21/424, 427, 432, 663, 664, 666, 697  
CPC . B62K 3/00; B62K 3/005; B62K 3/02; B62K 3/04; B62K 11/00; B62K 11/02; B62K 11/10; B62K 11/14; B62K 9/02; B62K 21/12; B62K 21/16; B62K 21/26; B62K 21/02; B62K 21/04; B62K 21/06; B62K 15/006; B62K 2201/04; B62K 25/04; B62K 25/08; B62K 25/16; B62K 25/30; B62K 19/02; B62K 19/08; B62K 19/16  
See application file for complete search history.

D807,232 S \* 1/2018 Bailie ..... D12/111  
 D809,434 S \* 2/2018 Le ..... D12/111  
 D843,269 S \* 3/2019 Shi ..... D12/111  
 2017/0247076 A1\* 8/2017 Uimonen ..... B62K 21/12

**FOREIGN PATENT DOCUMENTS**

CN 201730347760 \* 7/2017  
 EM 005832391-0001 \* 11/2018

**OTHER PUBLICATIONS**

Amazon, Velo Electrique Pliables Roues, posted May 3, 2020, [online], [visited Jul. 1, 2020]. Internet, <URL: [https://www.amazon.fr/Electrique-Pliable-Pouces-Design-Magn%C3%A9sium/dp/B087ZYMLLR/ref=sr\\_1\\_1?dchild=1&qid=1593640414&refinements=p\\_4%3AMYATU&s=sports&sr=1-1](https://www.amazon.fr/Electrique-Pliable-Pouces-Design-Magn%C3%A9sium/dp/B087ZYMLLR/ref=sr_1_1?dchild=1&qid=1593640414&refinements=p_4%3AMYATU&s=sports&sr=1-1)> (Year: 2020).\*

\* cited by examiner

*Primary Examiner* — Sheryl Wood  
*Assistant Examiner* — Samantha N Wood  
 (74) *Attorney, Agent, or Firm* — Wayne & Ken, LLC;  
 Tony Hom

(57) **CLAIM**

The ornamental design for an electric bicycle, as shown and described.

**DESCRIPTION**

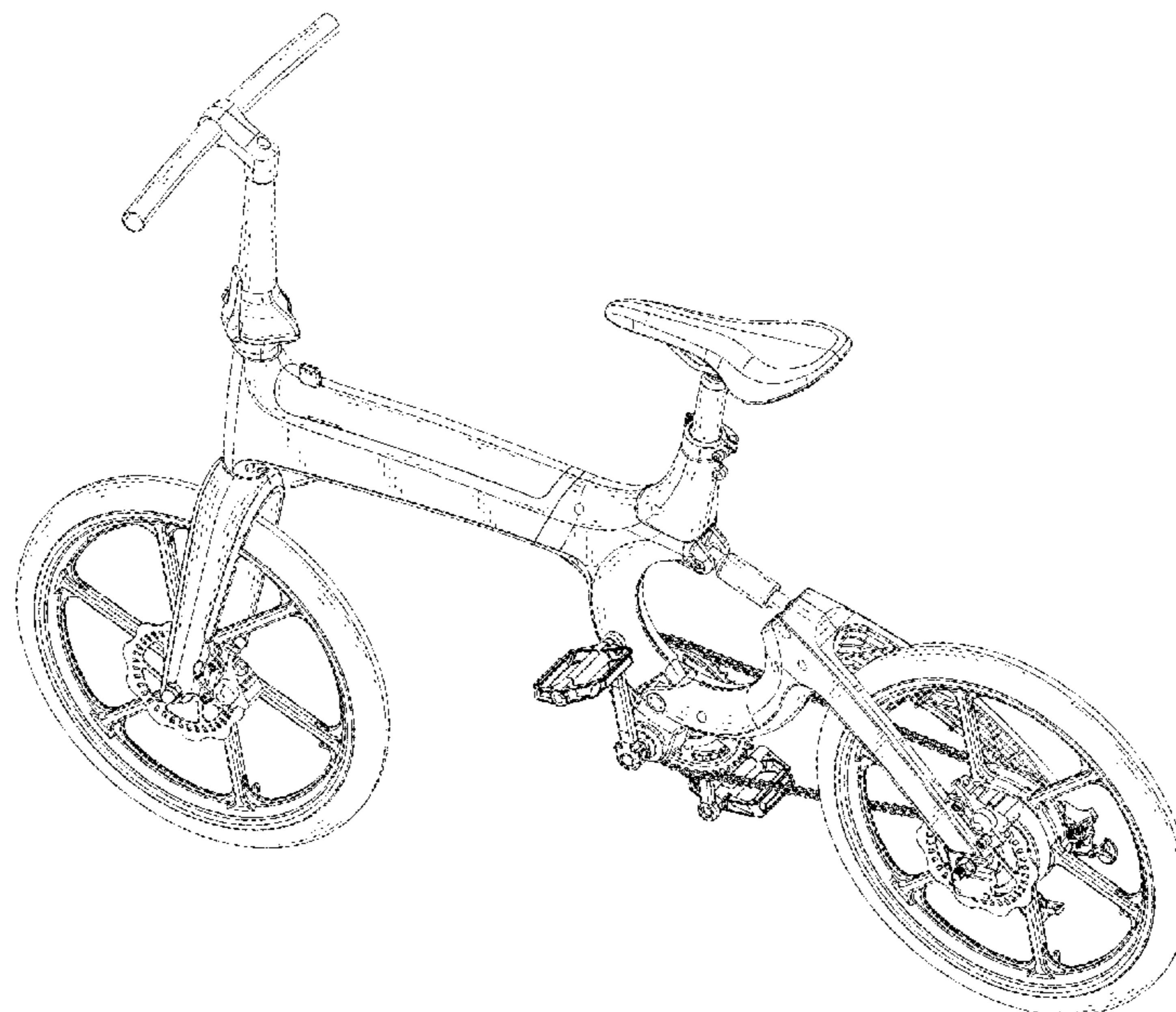
FIG. 1 is a front perspective view of electric bicycle showing my new design;  
 FIG. 2 is a back perspective view thereof;  
 FIG. 3 is a front elevation view thereof;  
 FIG. 4 is a back elevation view thereof;  
 FIG. 5 is a left side view thereof;  
 FIG. 6 is a right side view thereof;  
 FIG. 7 is a top plan view thereof; and,  
 FIG. 8 is a bottom plan view thereof.

**1 Claim, 8 Drawing Sheets**

(56) **References Cited**

**U.S. PATENT DOCUMENTS**

D410,217 S \* 5/1999 Tsang-Chun ..... D12/111  
 D498,438 S \* 11/2004 Ying ..... D12/111  
 D632,615 S \* 2/2011 Uimonen ..... D12/111  
 D662,445 S \* 6/2012 Uimonen ..... D12/111  
 D727,215 S \* 4/2015 Yang ..... D12/111



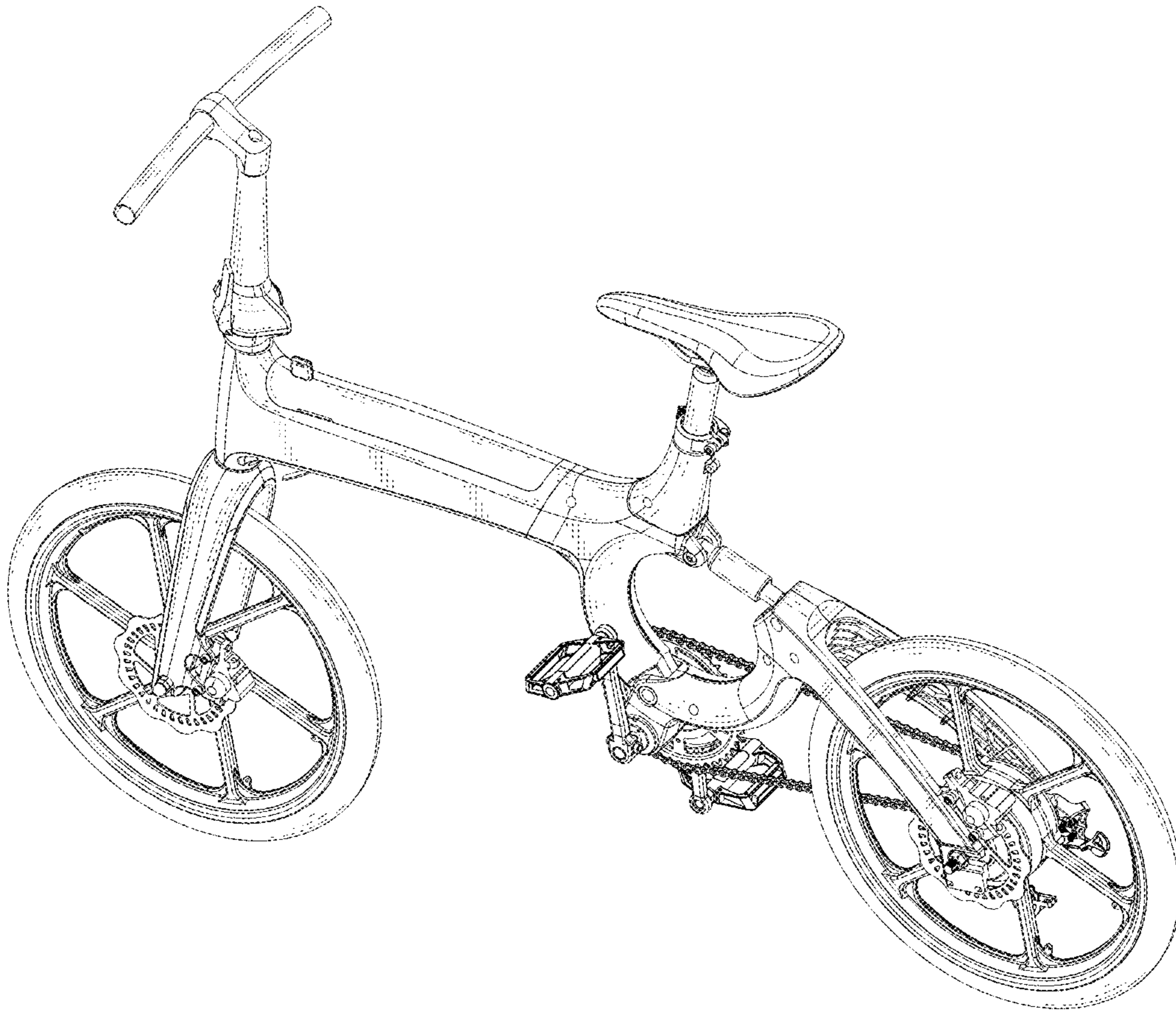


FIG. 1

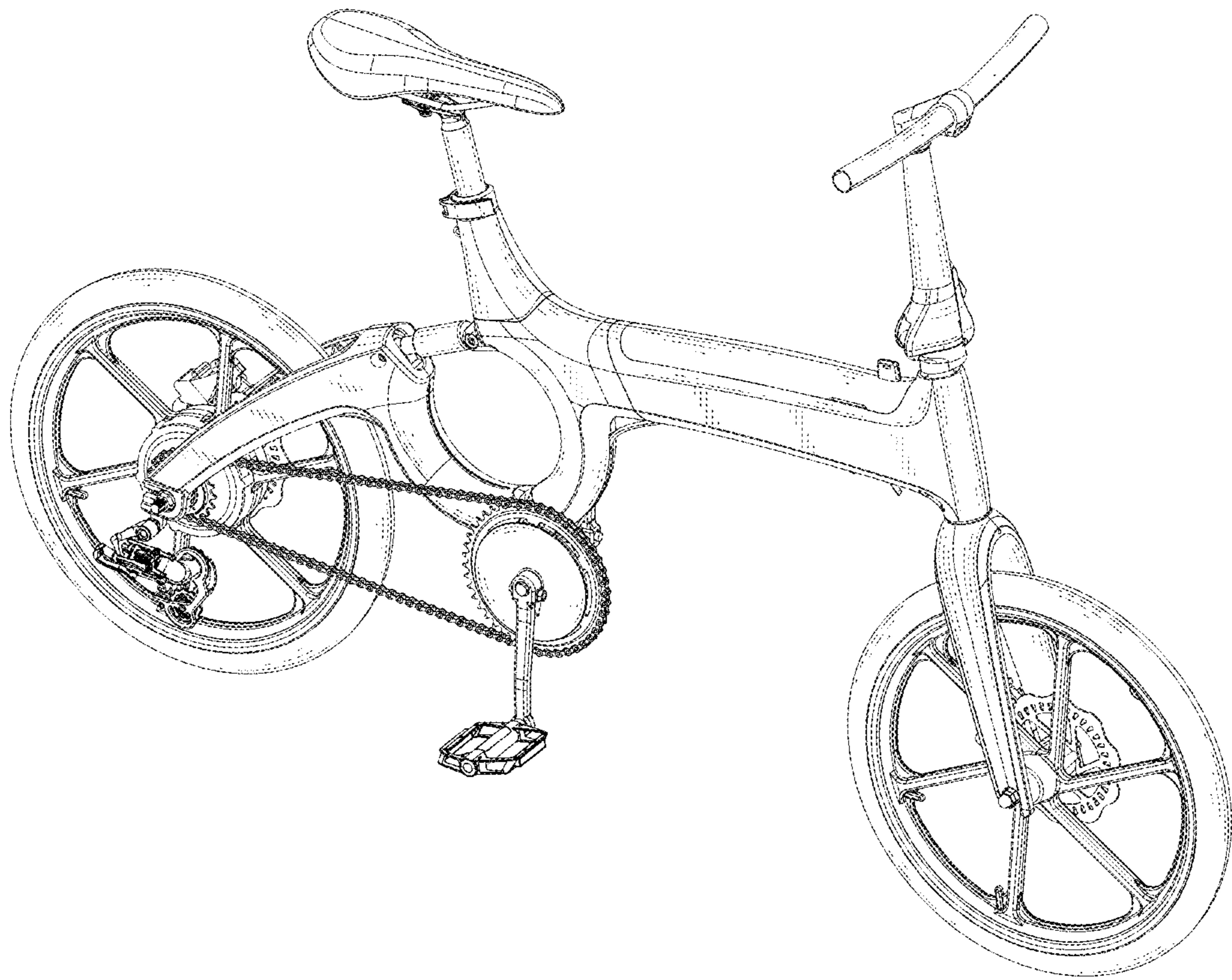


FIG. 2

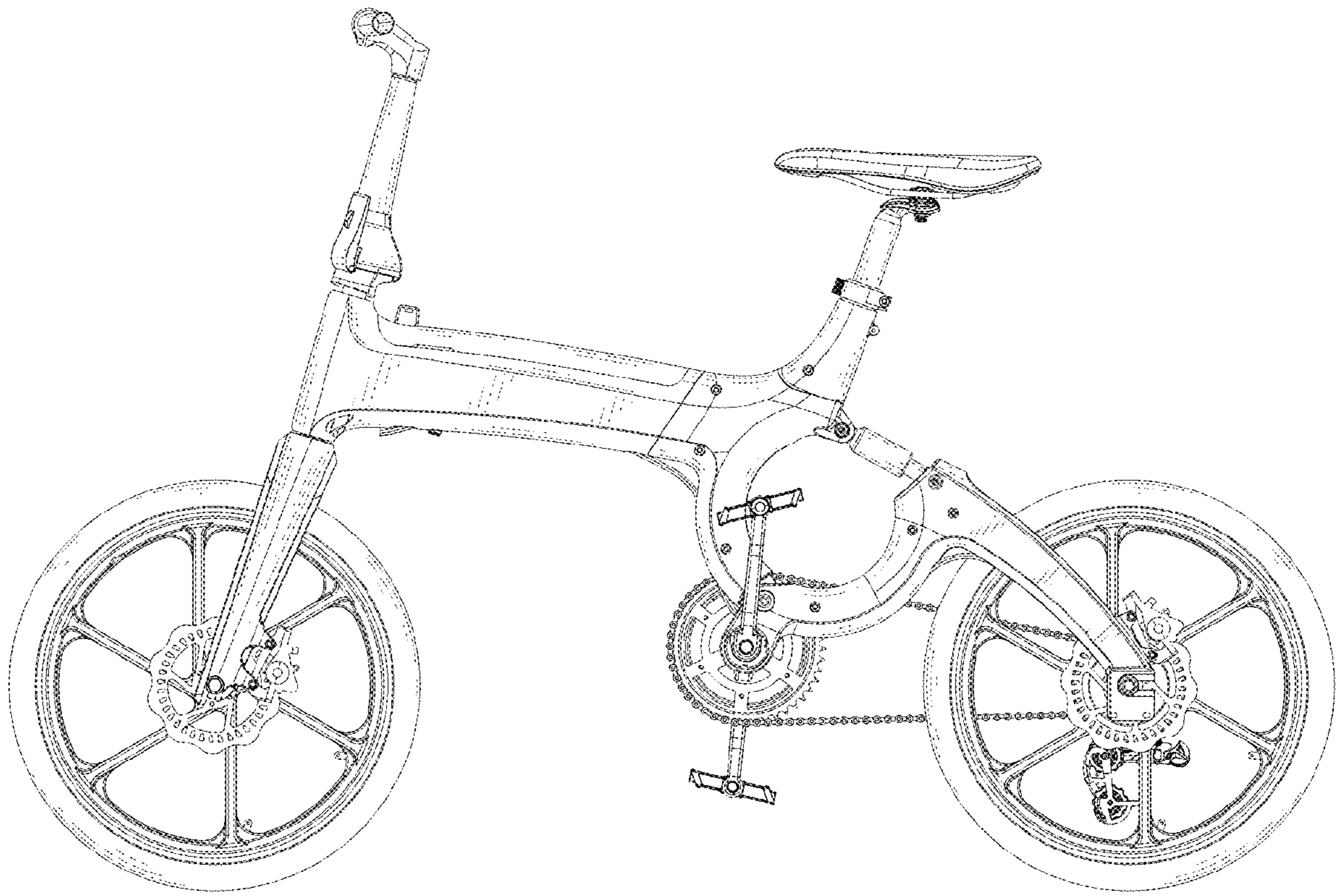


FIG. 3

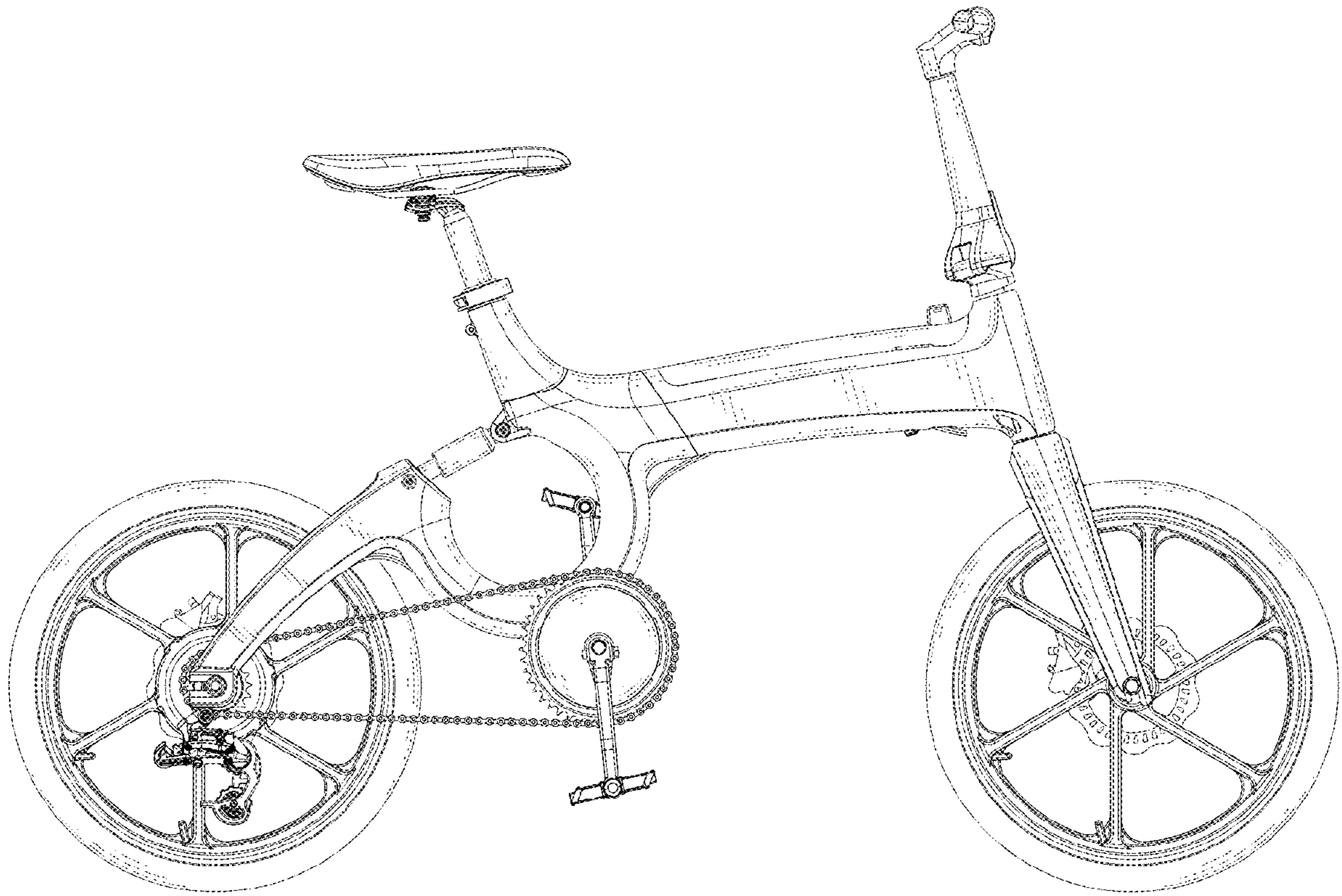


FIG. 4

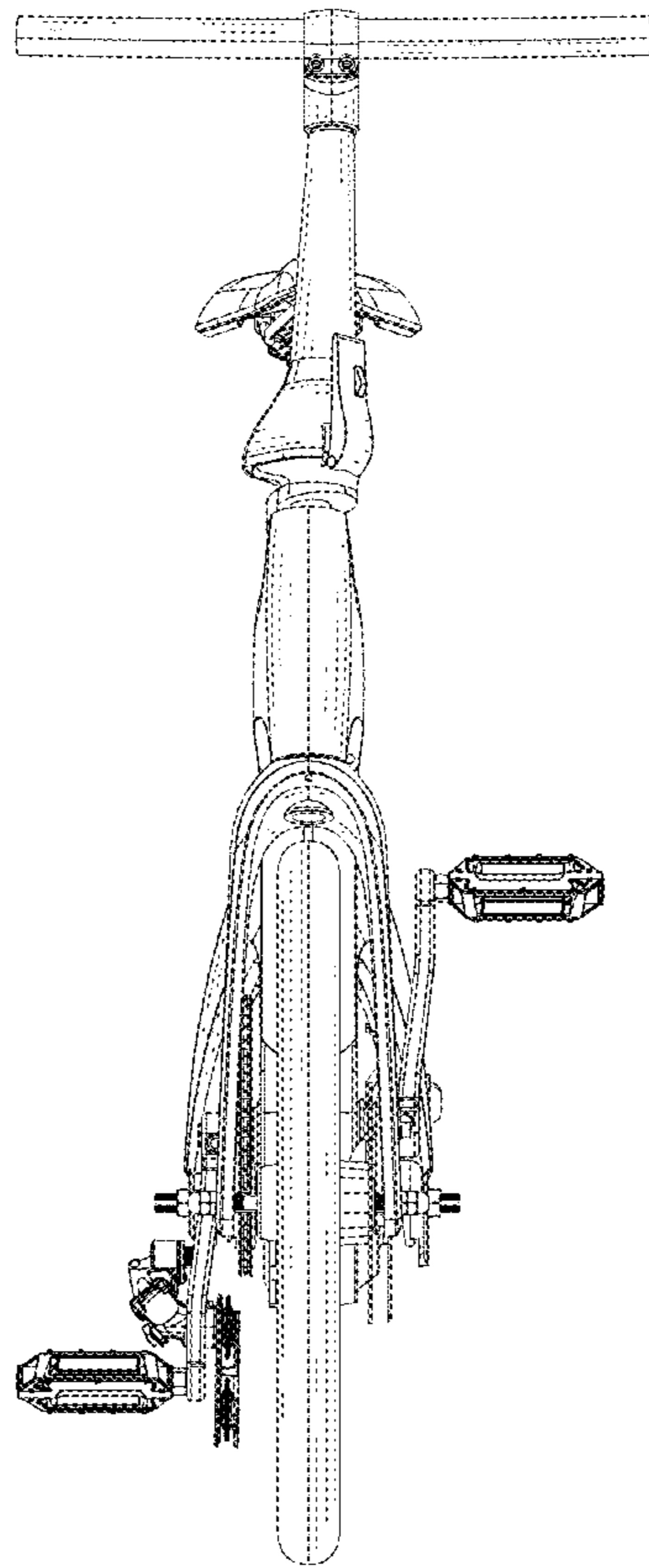


FIG. 5

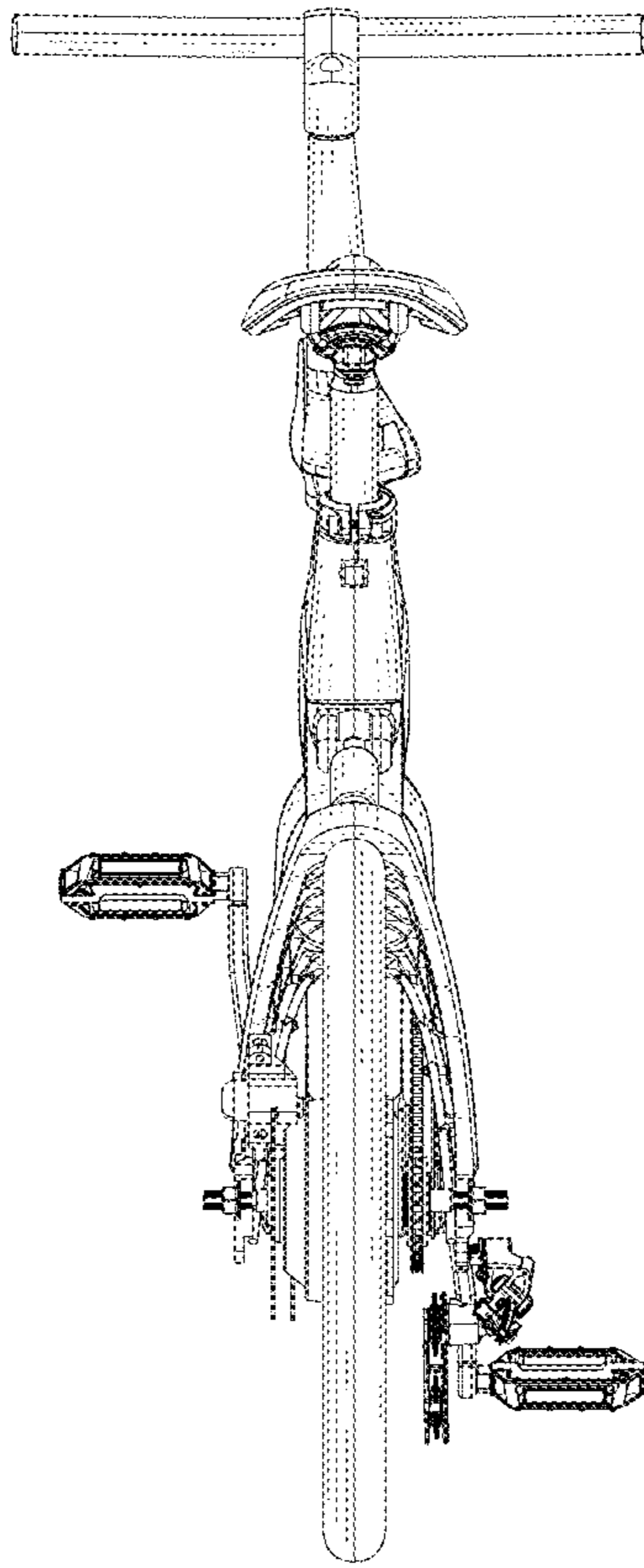


FIG. 6

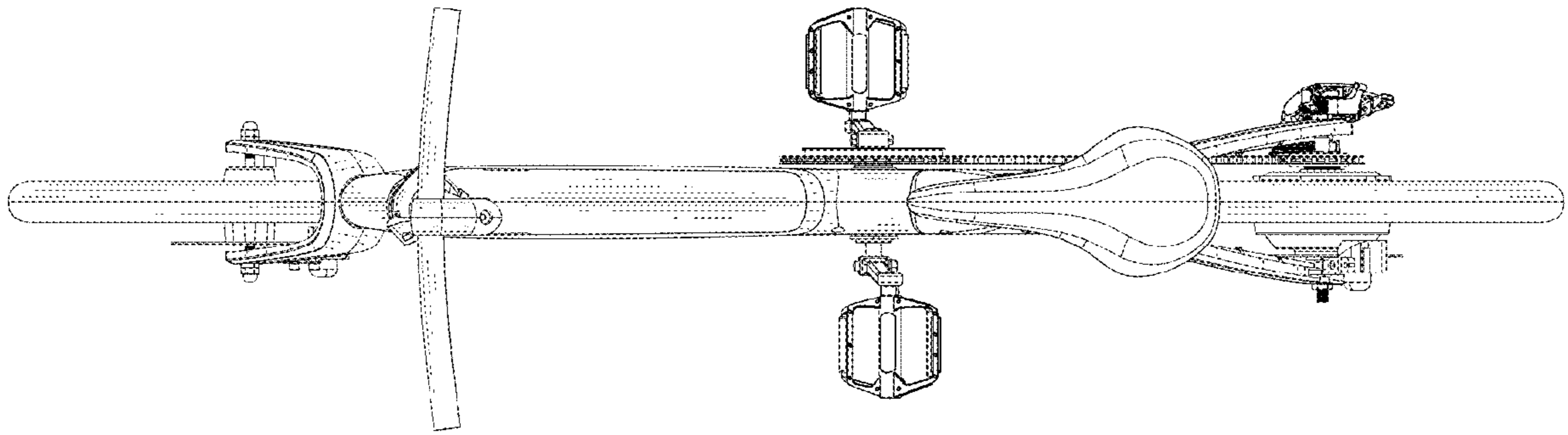


FIG. 7



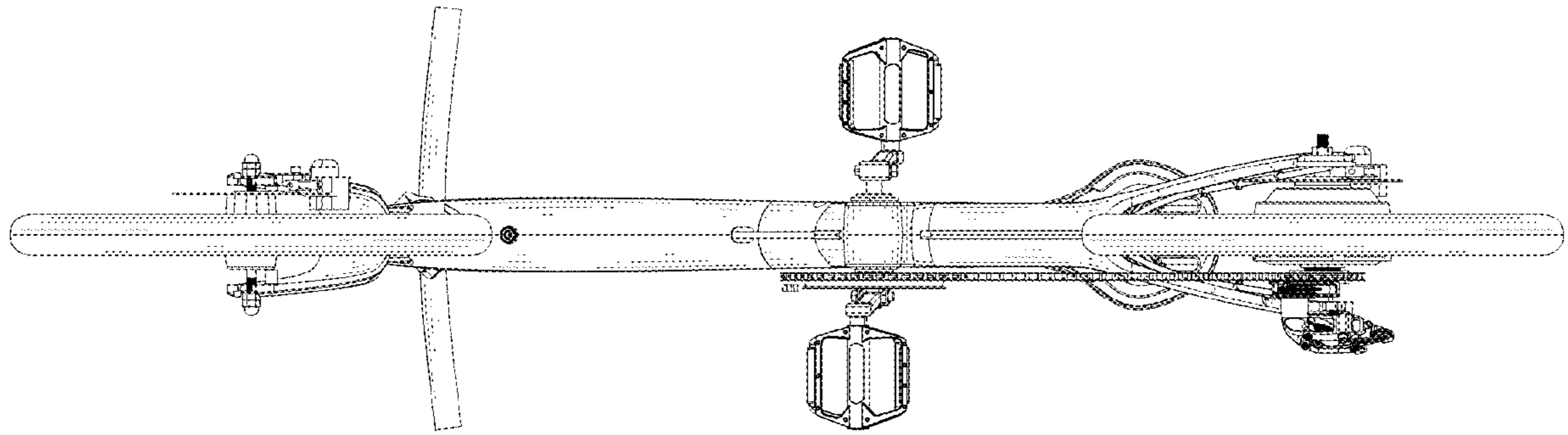


FIG. 8