



US00D898623S

(12) **United States Design Patent**
Finn

(10) **Patent No.:** **US D898,623 S**
(45) **Date of Patent:** **** Oct. 13, 2020**

(54) **FOUR WHEEL TOWABLE UTILITY CART**
(71) Applicant: **Phillip A. Finn**, Merritt Island, FL (US)
(72) Inventor: **Phillip A. Finn**, Merritt Island, FL (US)
(73) Assignee: **Ranchwagons L.L.C.**, Merritt Island, FL (US)
(**) Term: **15 Years**

(21) Appl. No.: **29/686,651**
(22) Filed: **Apr. 5, 2019**
(51) **LOC (12) Cl.** **12-10**
(52) **U.S. Cl.**
USPC **D12/101**
(58) **Field of Classification Search**
USPC D12/101-106, 19, 129, 11, 112, 93-100;
D21/425, 435; D34/21-26, 12, 16-19;
280/47.2, 47.18, 47.34, 651
CPC B62D 35/02; B62D 35/00; B62D 21/20;
A62B 3/005; B60P 3/10; B60P 1/56;
B60P 3/222; B60P 3/224; B62B 3/02;
B62B

(Continued)

(56) **References Cited**

U.S. PATENT DOCUMENTS

1,588,414 A * 6/1926 Harrison B62C 1/04
280/137.502
1,674,511 A * 6/1928 Harrison B62D 63/06
280/80.1

(Continued)

OTHER PUBLICATIONS

Market Wagons, MarketFarmEquipment.com, [online], [site visited Jul. 2, 2020]. <URL: <http://www.marketfarmequipment.com/Market%20Wagons.htm>> (Year: 2020).*

(Continued)

Primary Examiner — T Chase Nelson
Assistant Examiner — Jonathan J. Han
(74) *Attorney, Agent, or Firm* — Brian S. Steinberger;
Hilary F. Steinberger; Law Offices of Brian S. Steinberger

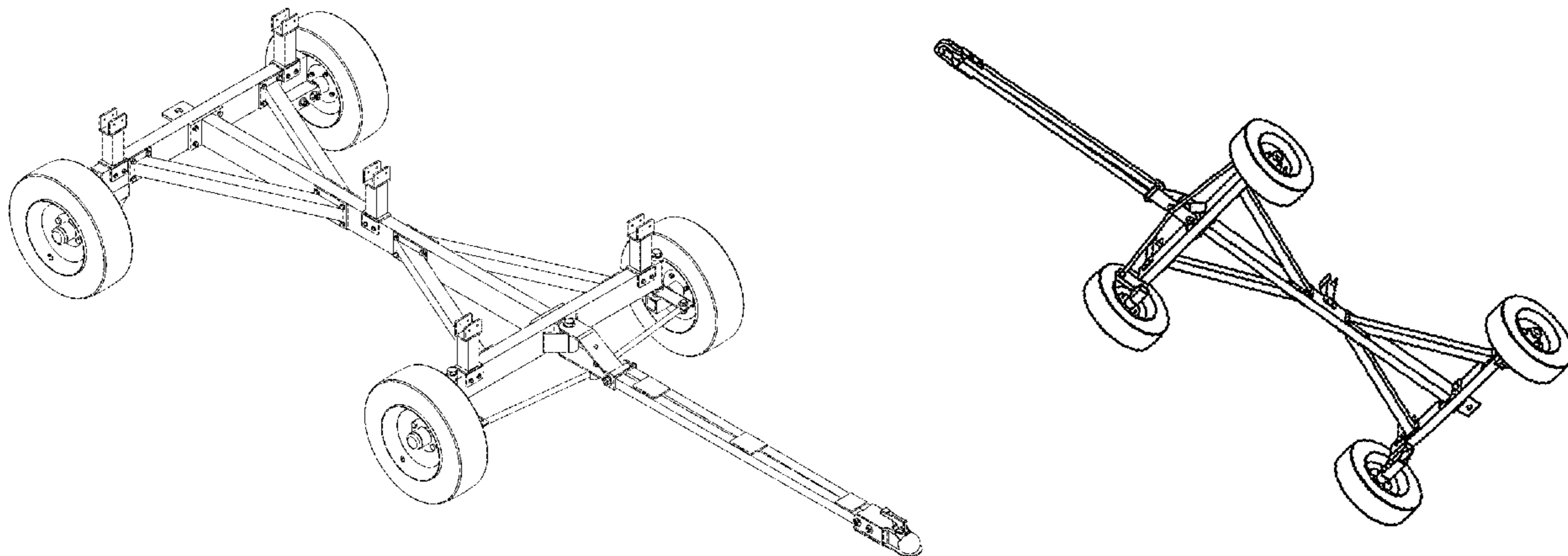
(57) **CLAIM**

The ornamental design for a four wheel towable utility cart, as shown and described.

DESCRIPTION

FIG. 1 is an upper front right perspective view of the four wheel towable utility cart.
FIG. 2 is an upper front left perspective view of the four wheel towable utility cart of FIG. 1.
FIG. 3 is a lower front left perspective view of the four wheel towable utility cart of FIG. 1.
FIG. 4 is a lower front right perspective view of the four wheel towable utility cart of FIG. 1.
FIG. 5 is an enlarged front view of the four wheel towable utility cart of FIG. 1.
FIG. 6 is an enlarged rear view of the four wheel towable utility cart of FIG. 1.
FIG. 7 is a left side view of the four wheel towable utility cart of FIG. 1.
FIG. 8 is a right side view of the four wheel towable utility cart of FIG. 1.
FIG. 9 is a top view of the four wheel towable utility cart of FIG. 1.
FIG. 10 is a bottom view of the four wheel towable utility cart of FIG. 1.
FIG. 11 is another upper front perspective view of the four wheel towable utility cart of FIG. 1 with horizontal beams supported thereon; and,
FIG. 12 is another upper front perspective view of the four wheel towable utility cart of FIG. 11 with a platform attached to the horizontal beams.
The broken lines in FIGS. 11-12 are for illustrating portions that form no part of the claimed design.

1 Claim, 8 Drawing Sheets



(58) **Field of Classification Search**
 CPC 3/005; B62B 3/1404; B62B 3/002; B62B
 3/00; B62B 3/04; B62B 3/001; B62B
 3/022; B62B 3/027; B62B 3/12
 See application file for complete search history.

(56) **References Cited**

U.S. PATENT DOCUMENTS

1,824,554 A * 9/1931 Lathers B60T 7/20
 188/112 R
 1,886,722 A * 11/1932 Oppenheim B62D 21/14
 280/142
 2,190,300 A * 2/1940 Van Zeeland B62D 63/061
 280/143
 2,436,443 A * 2/1948 Meisenhelder B60P 1/06
 298/20 R
 2,452,358 A * 10/1948 De Long B62D 63/061
 280/137.501
 2,457,397 A * 12/1948 Richards B62D 63/061
 280/143
 2,651,526 A * 9/1953 Eubanks B62D 13/04
 280/99
 2,780,473 A * 2/1957 Harrison B62D 63/061
 280/656
 3,009,741 A * 11/1961 Collins B60P 1/16
 298/19 R
 3,455,572 A * 7/1969 Wolf B62D 13/04
 280/99
 3,695,628 A * 10/1972 Fisher B62D 13/04
 280/103
 3,704,028 A * 11/1972 Greiner B62D 21/20
 280/789
 3,845,846 A * 11/1974 Sundermann B60T 7/20
 188/112 R

3,929,198 A * 12/1975 Dalton B62D 59/02
 180/14.2
 D268,202 S * 3/1983 Corl D12/16
 4,579,362 A * 4/1986 Kirkpatrick B60D 1/50
 172/267
 D332,978 S * 2/1993 Tsuchiya D21/562
 D337,403 S * 7/1993 Chapman D34/17
 5,340,142 A * 8/1994 Kuhns B62D 13/04
 280/444
 5,577,760 A * 11/1996 Pressler B60D 1/30
 280/124.167
 6,158,759 A * 12/2000 Perry B62D 13/04
 280/444
 6,176,504 B1 * 1/2001 Van Mill B60D 1/62
 280/444
 6,851,756 B2 * 2/2005 Pieschel B60P 1/04
 298/17 R
 7,874,571 B2 * 1/2011 Frey B60G 3/14
 280/442
 D661,451 S * 6/2012 Armstrong, Sr. D34/17
 9,550,508 B1 * 1/2017 Parra B62B 3/02
 9,694,838 B2 * 7/2017 Gullino B62B 3/001
 D855,274 S * 7/2019 Kopp D34/17
 2012/0248720 A1 10/2012 Grato
 2017/0072978 A1 * 3/2017 Kopp B62B 3/001

OTHER PUBLICATIONS

Running Gears, KillbrosEquip.com, [online], [site visited Jul. 2, 2020]. <URL: https://www.killbrosequip.com/running_gears/> (Year: 2020).*

Model 872W, E-Ztrail.com, [online], [site visited Jul. 2, 2020]. <URL: https://e-ztrail.com/products/running_gears.php> (Year: 2020).*

Killbros, Operators Manual and Parts Catalog Farm Wagons Part # 30498, Delphos, Ohio, 32 pages, Revised Mar. 18, 2002.

* cited by examiner

FIG. 1

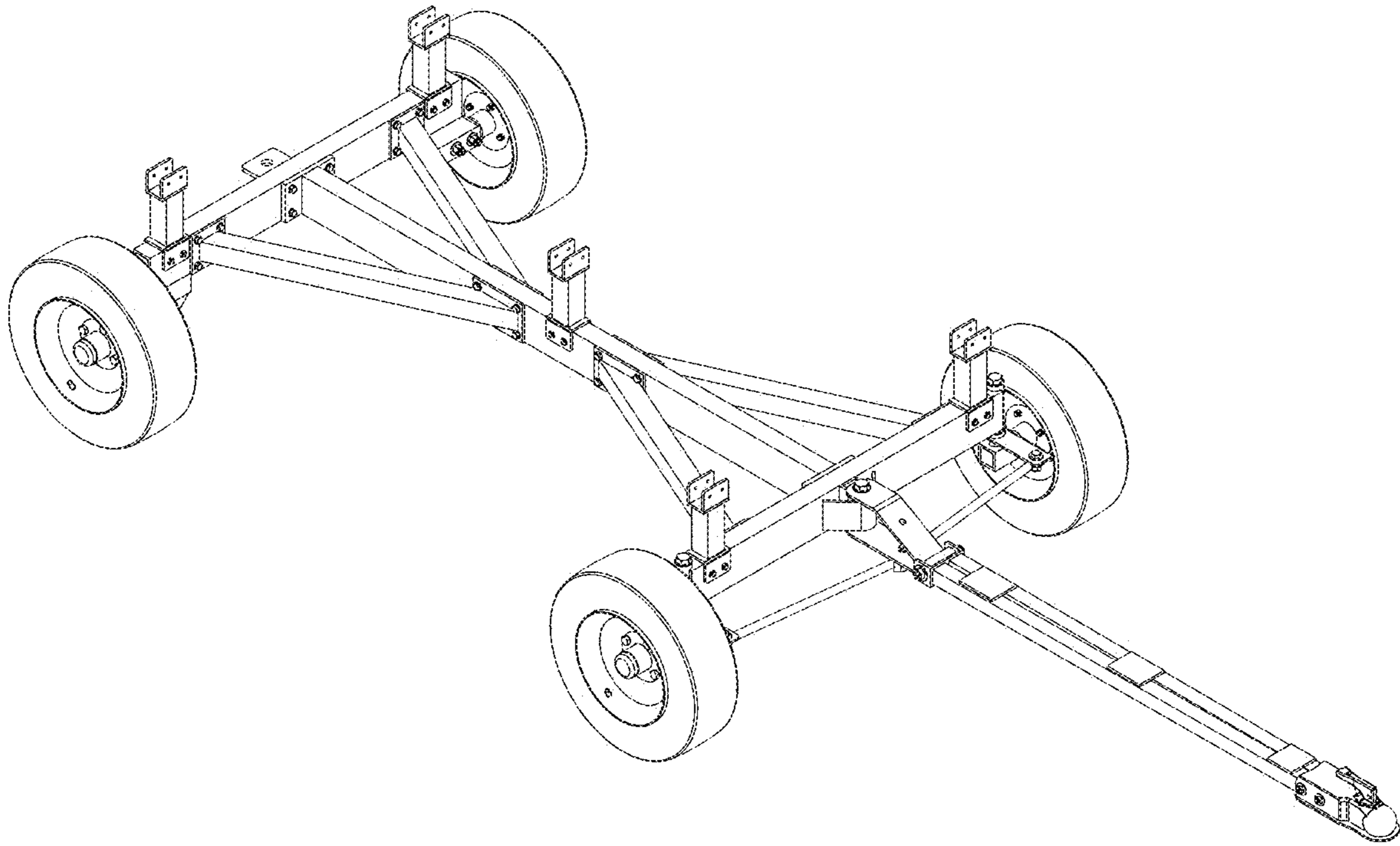


FIG. 2

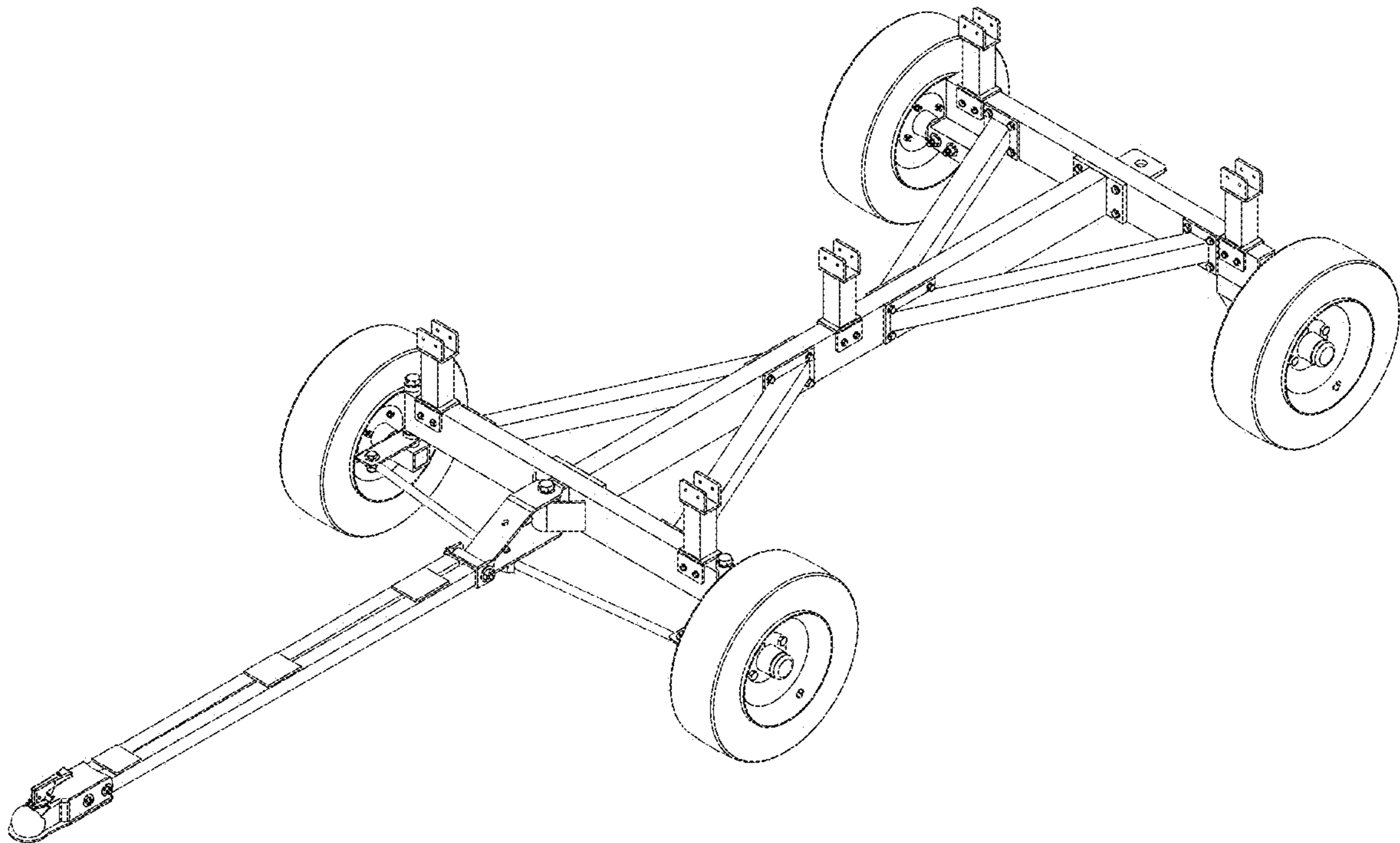


FIG. 3

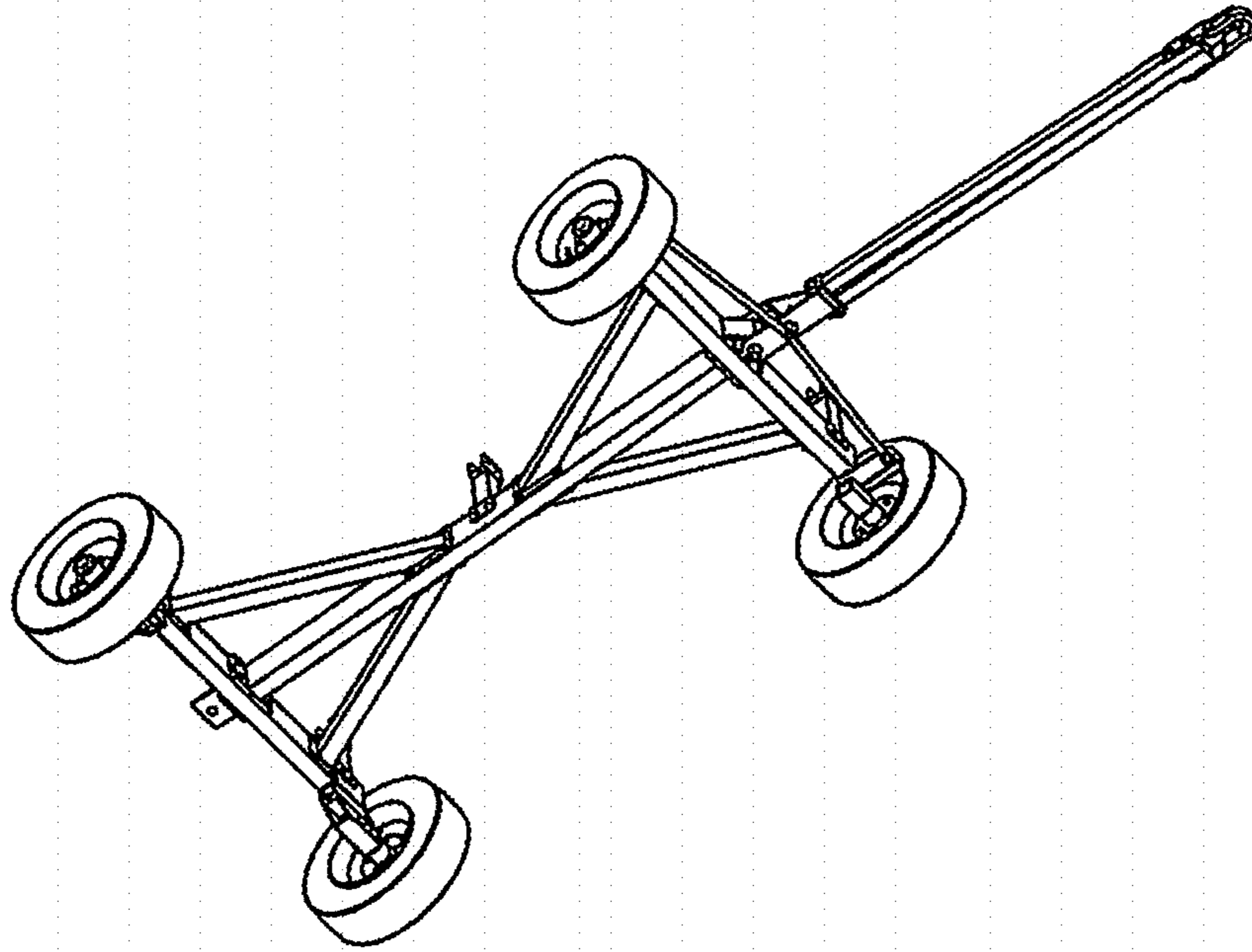


FIG. 4

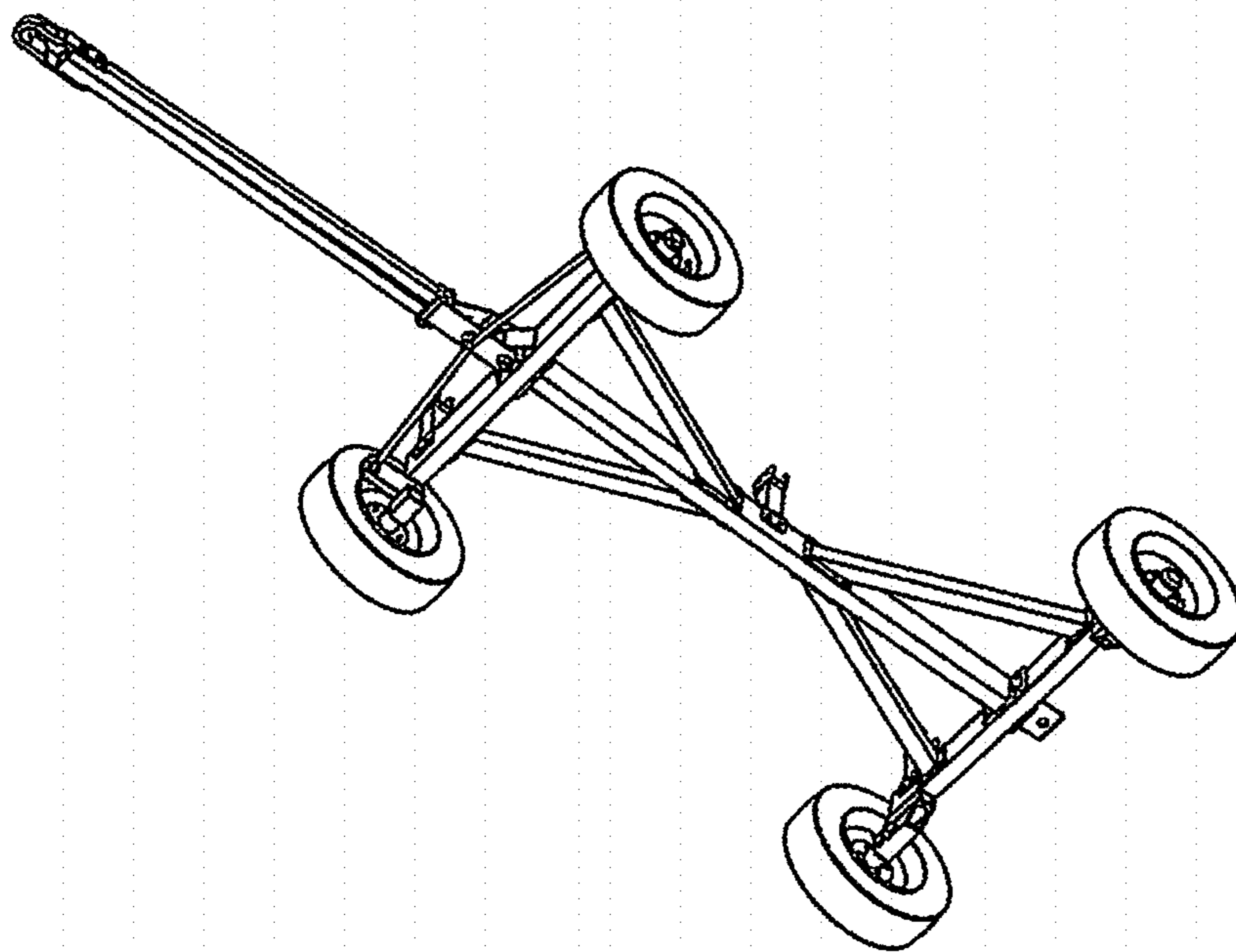


FIG 5

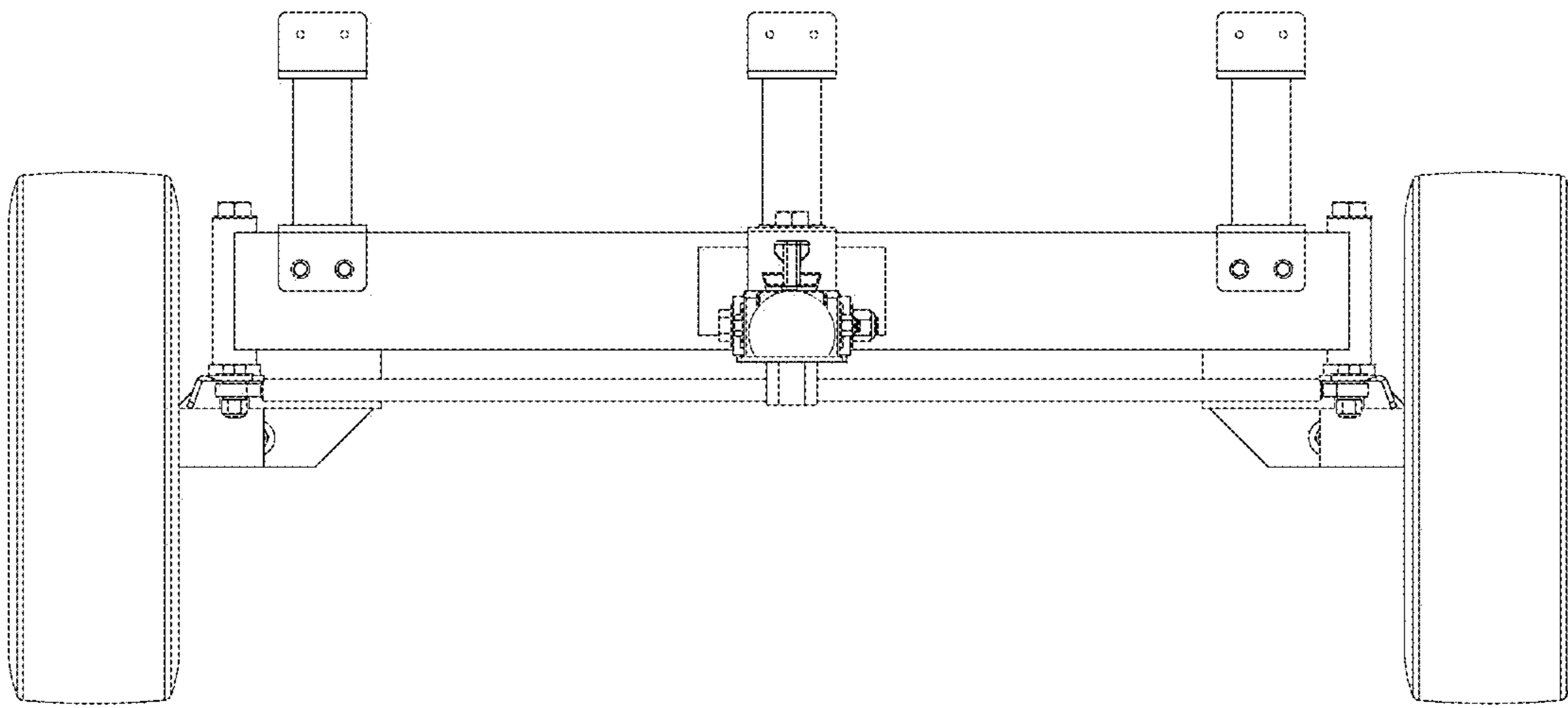


FIG. 6

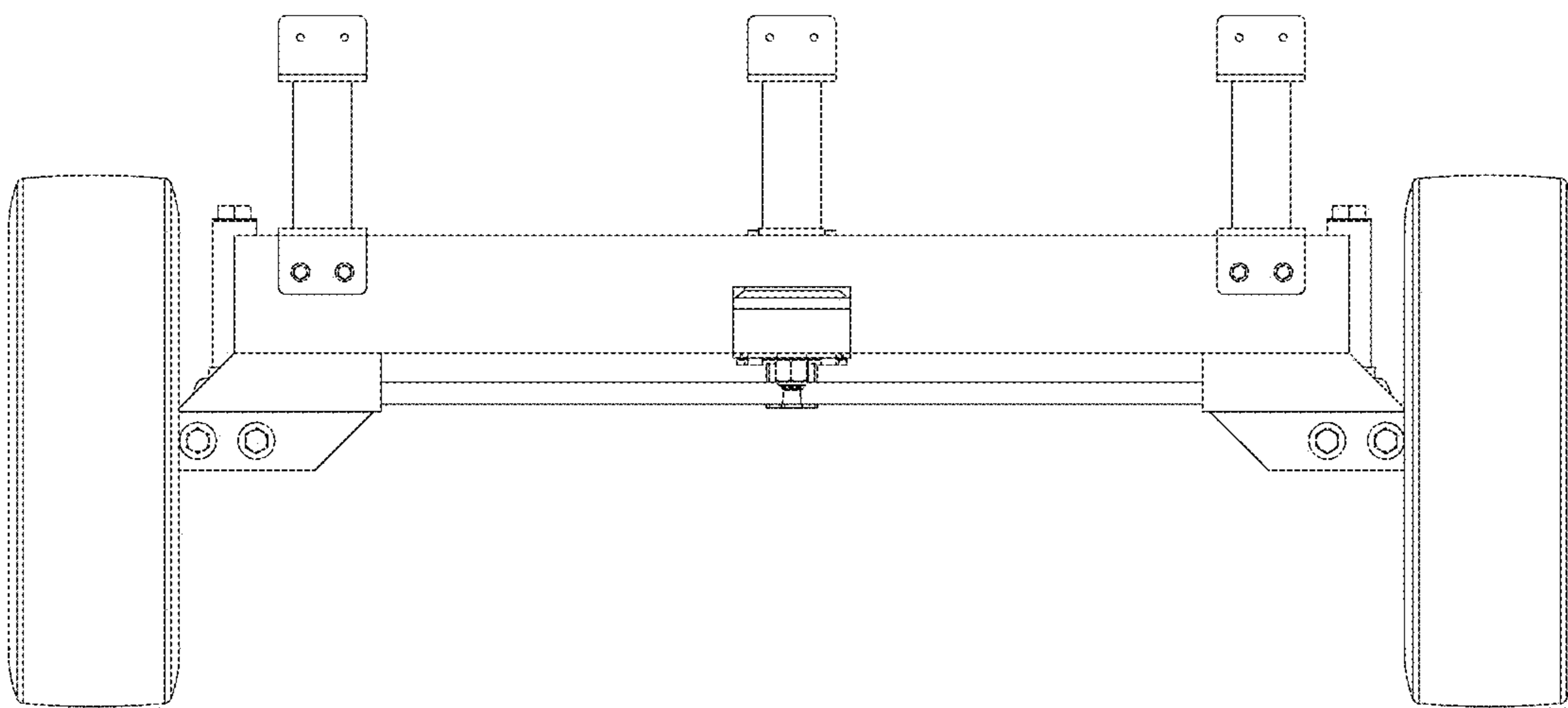


FIG. 7

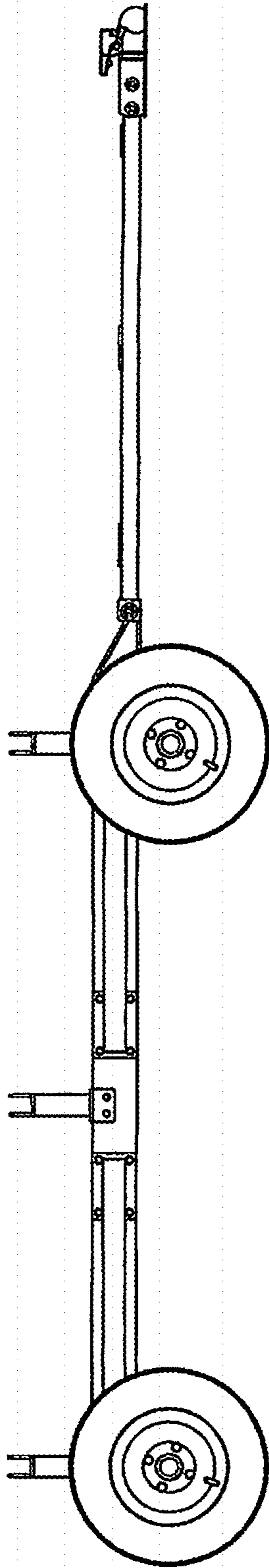


FIG. 8

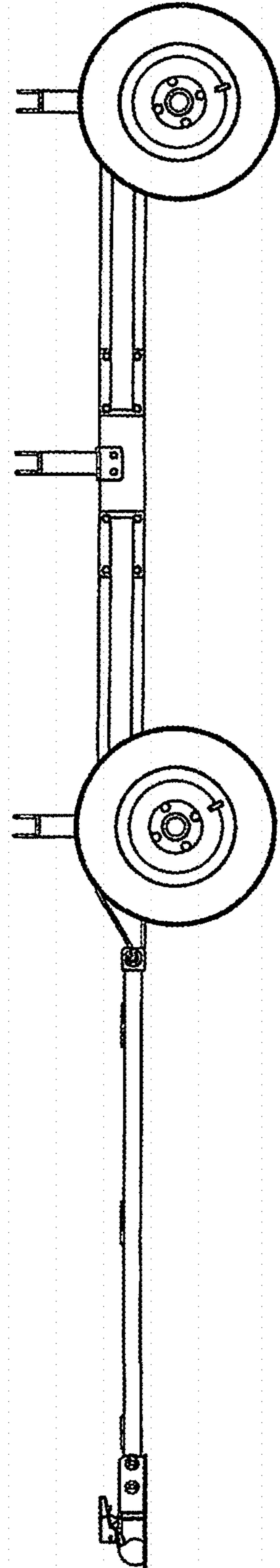


FIG. 9

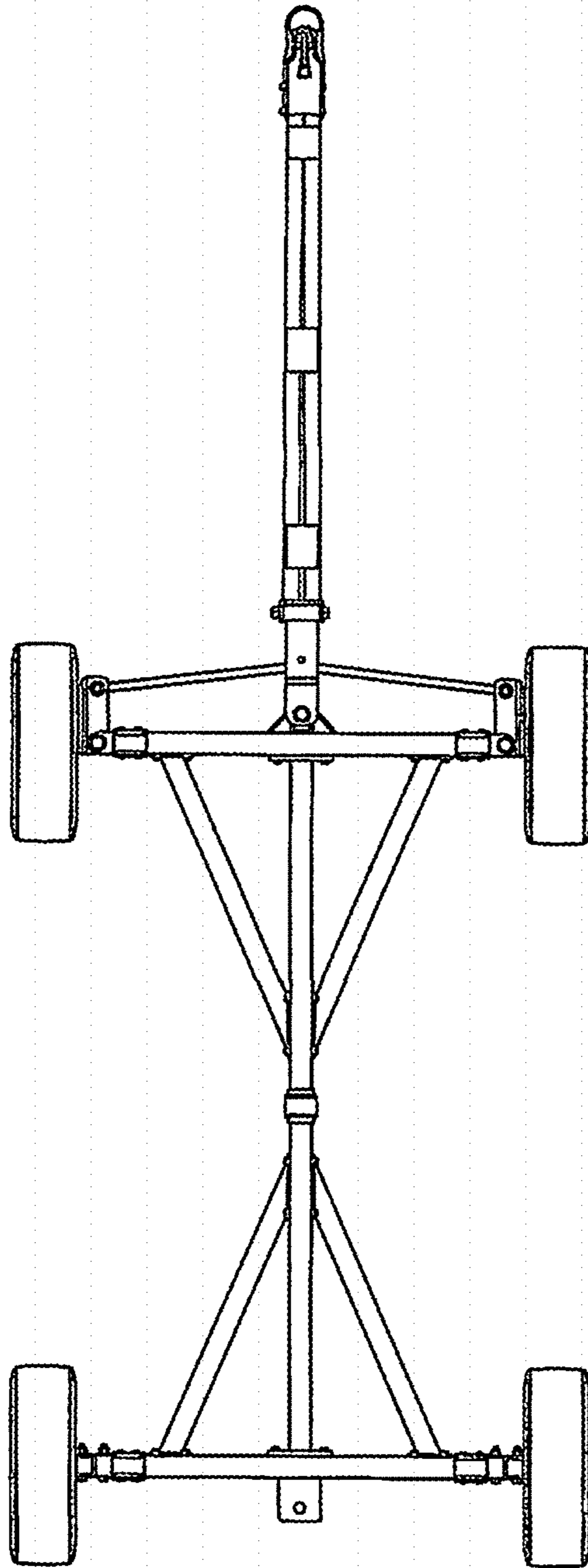


FIG. 10

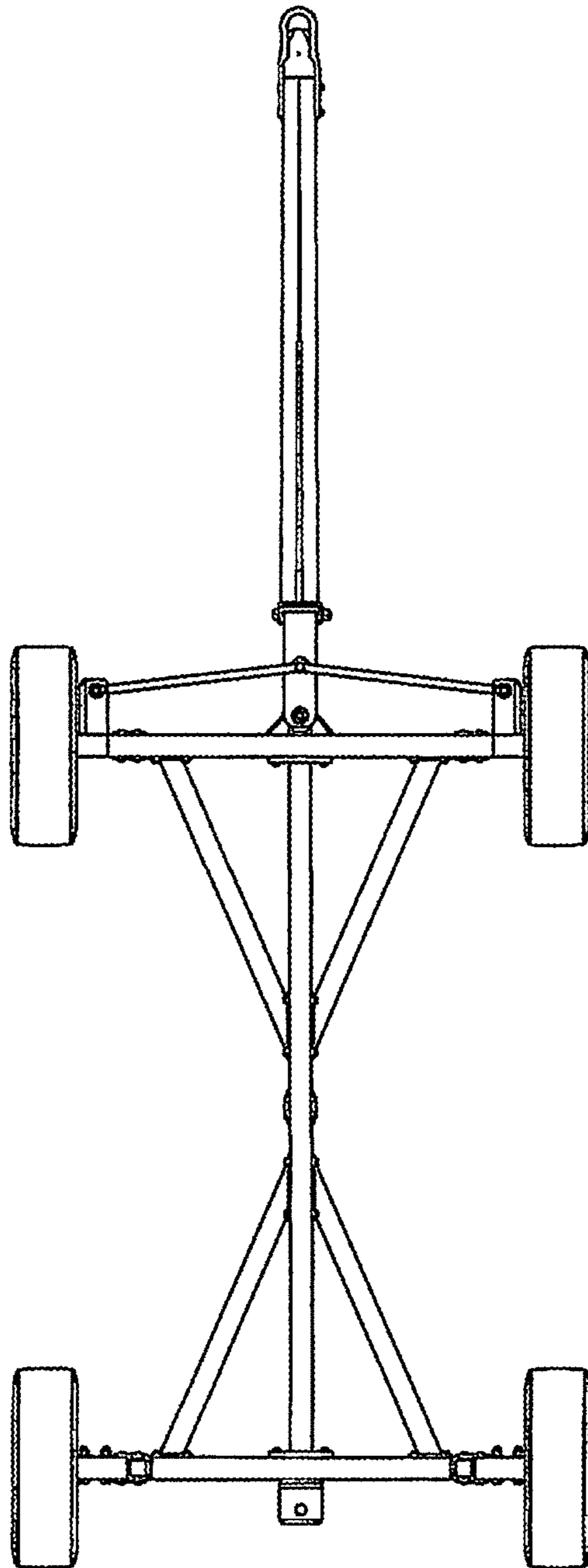


FIG. 11

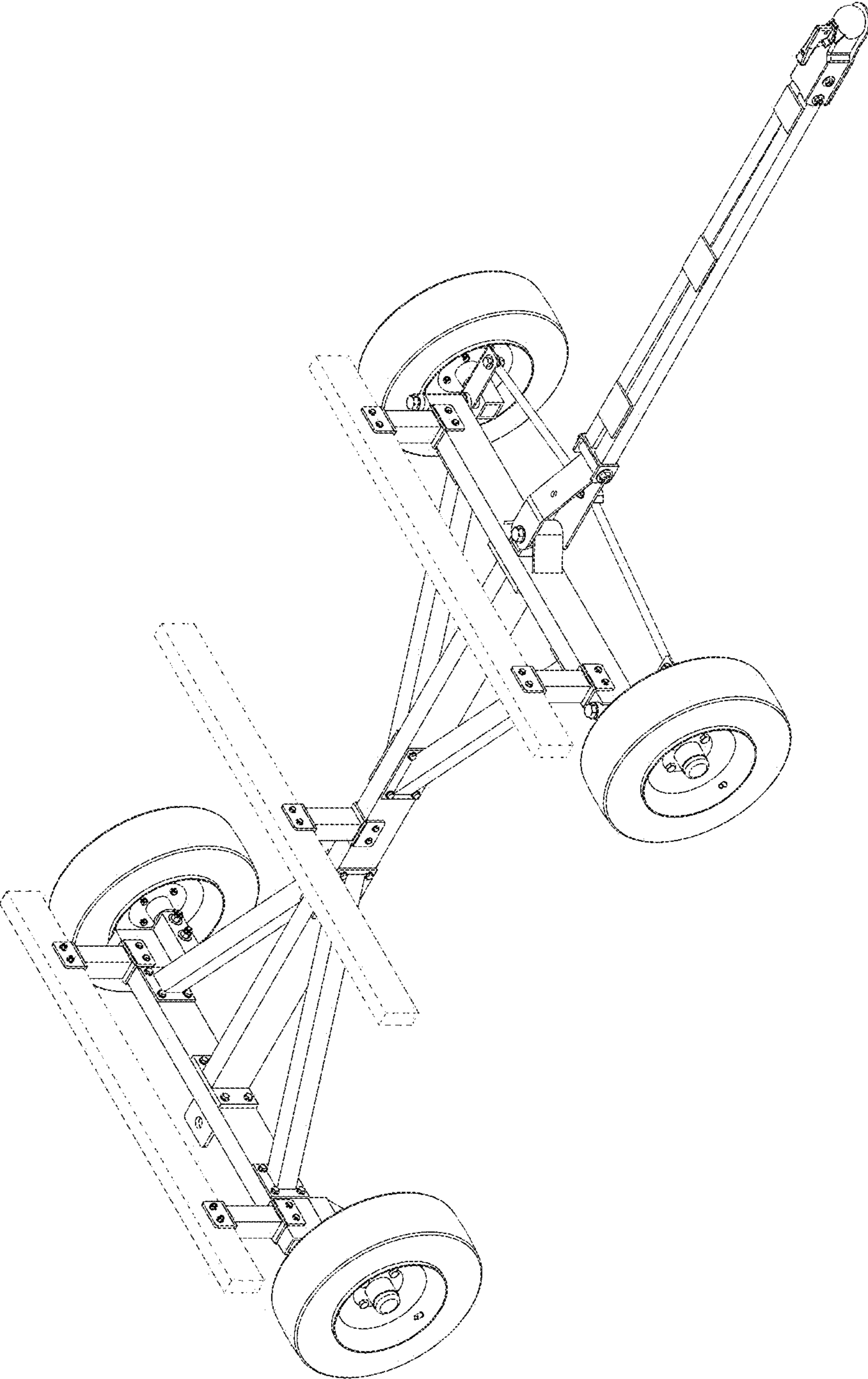


FIG. 12

