



US00D898621S

(12) **United States Design Patent** (10) **Patent No.:** **US D898,621 S**  
**Fahr-Becker** (45) **Date of Patent:** **\*\* Oct. 13, 2020**

(54) **MOTOR VEHICLE, TOY AND/OR REPLICAS THEREOF**

(71) Applicant: **AUDI AG**, Ingolstadt (DE)

(72) Inventor: **Stephan Fahr-Becker**, Ingolstadt (DE)

(73) Assignee: **AUDI AG**, Ingolstadt (DE)

(\*\*) Term: **15 Years**

(21) Appl. No.: **29/706,862**

(22) Filed: **Sep. 24, 2019**

(30) **Foreign Application Priority Data**

Jul. 24, 2019 (EM) ..... 006 645 636

(51) **LOC (12) Cl.** ..... **12-08**

(52) **U.S. Cl.**  
USPC ..... **D12/91**

(58) **Field of Classification Search**  
USPC ..... D12/86, 90-92, 88, 164; D21/424, 433,  
D21/434; 296/181.1-181.5, 183.1  
CPC ..... B62D 25/00; B62D 25/06; B62D 33/00;  
B62D 35/00  
See application file for complete search history.

(56) **References Cited**

**U.S. PATENT DOCUMENTS**

D637,943 S *	5/2011	Bischoff	.....	D12/92
D671,034 S *	11/2012	Bischoff	.....	D12/91
D671,035 S *	11/2012	Bischoff	.....	D12/91
D690,231 S *	9/2013	Bischoff	.....	D12/91
D699,157 S *	2/2014	Bischoff	.....	D12/92
D701,145 S *	3/2014	Bischoff	.....	D12/91
D706,174 S *	6/2014	Garand	.....	D12/92
D712,788 S *	9/2014	Bischoff	.....	D12/91
D714,689 S *	10/2014	Bischoff	.....	D12/92
D715,693 S *	10/2014	Lamberty	.....	D12/92

D740,177 S *	10/2015	Callum	.....	D12/92
D740,178 S *	10/2015	Bischoff	.....	D12/92
D748,534 S *	2/2016	Bischoff	.....	D12/92
D756,849 S *	5/2016	Garcia Lopez	.....	D12/92
D761,697 S *	7/2016	Bischoff	.....	D12/92
D764,352 S *	8/2016	Pires	.....	D12/92
D767,448 S *	9/2016	Leu	.....	D12/92
D769,155 S *	10/2016	Garand	.....	D12/92
D783,457 S *	4/2017	Wehrli	.....	D12/92
D793,910 S *	8/2017	Liese	.....	D12/92
D801,873 S *	11/2017	Lamberty	.....	D12/92
D802,483 S *	11/2017	Fahr-Becker	.....	D12/92
D804,362 S *	12/2017	Jung	.....	D12/92
D813,099 S *	3/2018	Brendel	.....	D12/92
D814,356 S *	4/2018	Lamberty	.....	D12/92
D815,565 S *	4/2018	Hoess	.....	D12/91
D823,723 S *	7/2018	Brendel	.....	D12/92

(Continued)

*Primary Examiner* — Melody N Brown

(74) *Attorney, Agent, or Firm* — Lucas & Mercanti, LLP;  
Klaus P. Stoffel

(57) **CLAIM**

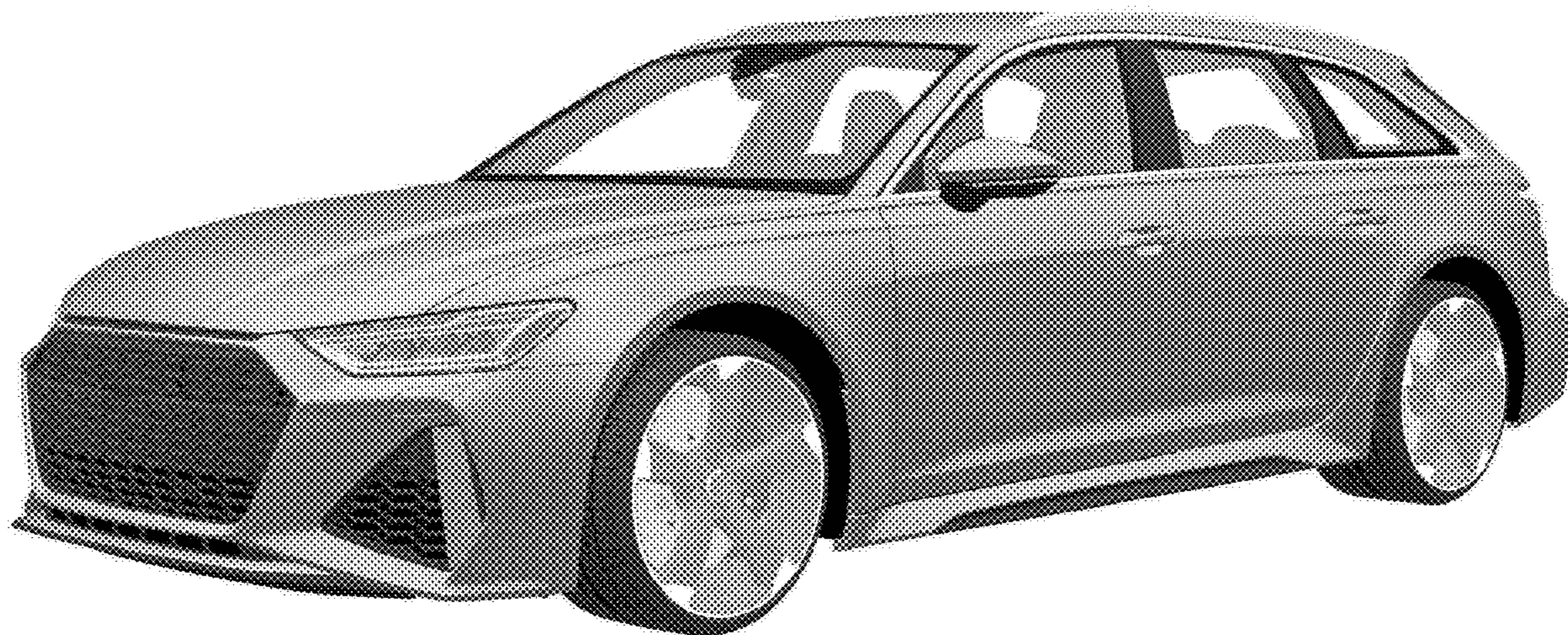
The ornamental design for a motor vehicle, toy and/or replicas thereof, as shown and described.

**DESCRIPTION**

FIG. 1 is a front and right side perspective view of a motor vehicle, toy and/or replicas thereof showing my new design; FIG. 2 is a rear and left side perspective view thereof; FIG. 3 is a front view thereof; FIG. 4 is a rear view thereof; FIG. 5 is a left side view thereof; FIG. 6 is a right side view thereof; and, FIG. 7 is a top view thereof.

The wheels and lights of the motor vehicle shown throughout the drawings views in a de-emphasized and faded out half tone manner are for environmental and illustrative purposes and form no part of the claimed design.

**1 Claim, 4 Drawing Sheets**



(56)

**References Cited**

U.S. PATENT DOCUMENTS

D826,095 S *	8/2018	Hirzel .....	D12/92
D828,785 S *	9/2018	Seebers .....	D12/92
D831,542 S *	10/2018	Russo .....	D12/92
D864,024 S *	10/2019	Romers .....	D12/88
D873,714 S *	1/2020	Torone .....	D12/88
D874,980 S *	2/2020	Caffrey .....	D12/88

\* cited by examiner



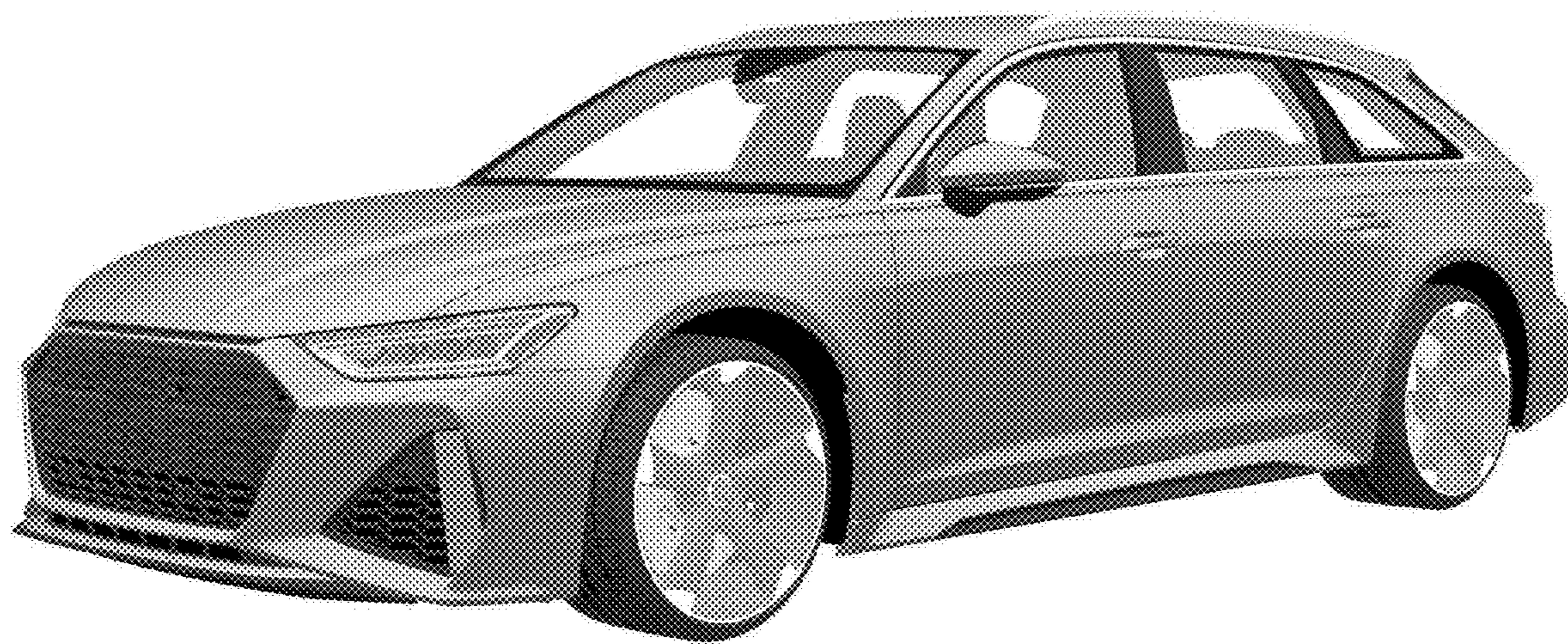


FIG. 1



FIG. 2



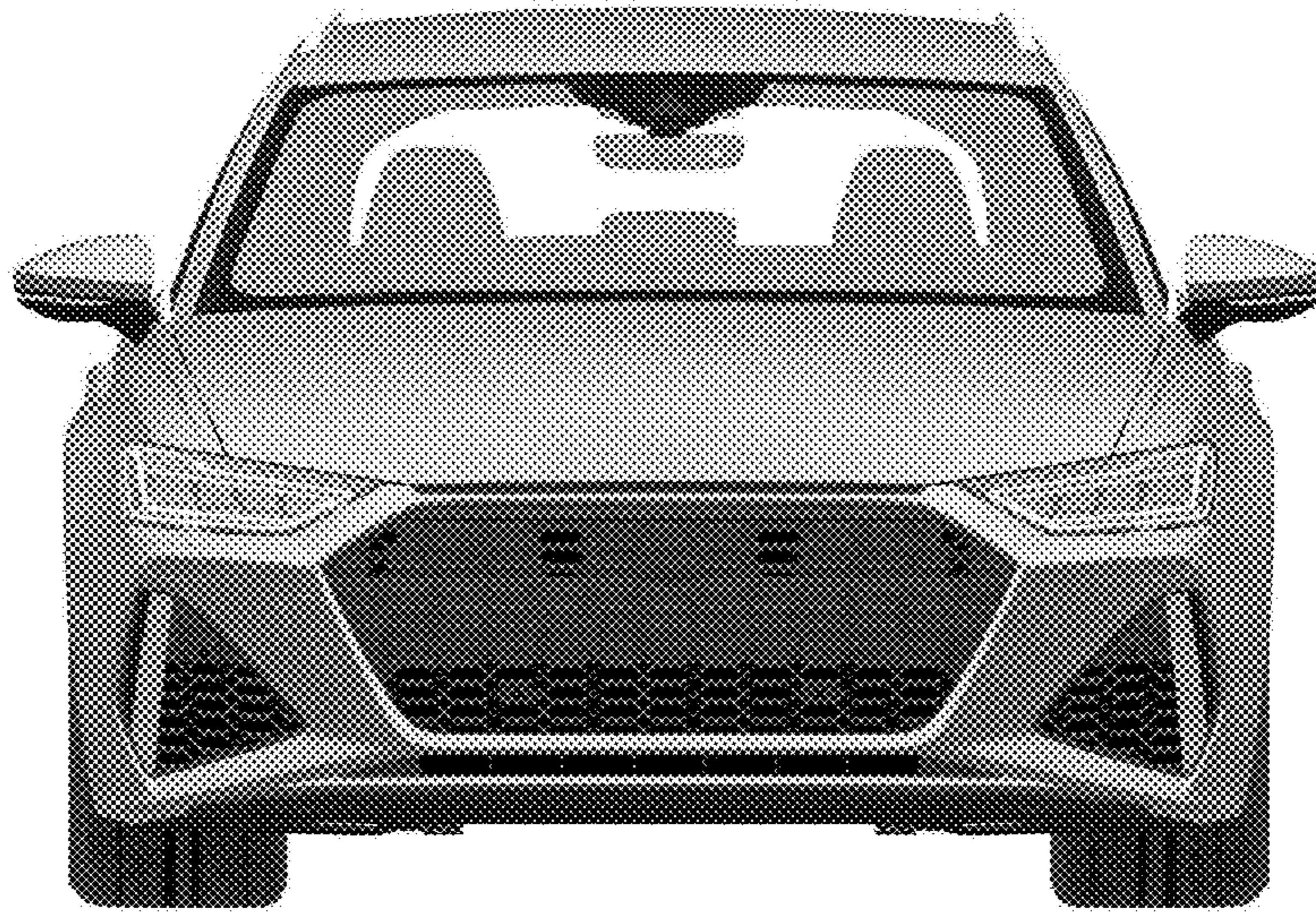


FIG. 3



FIG. 4



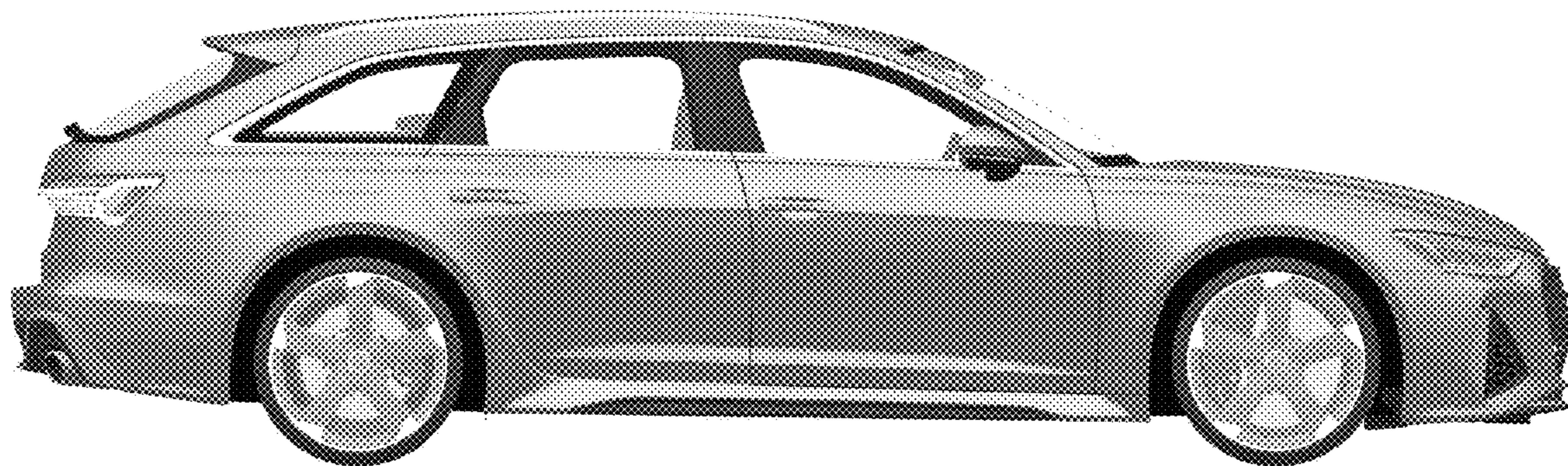


FIG. 5

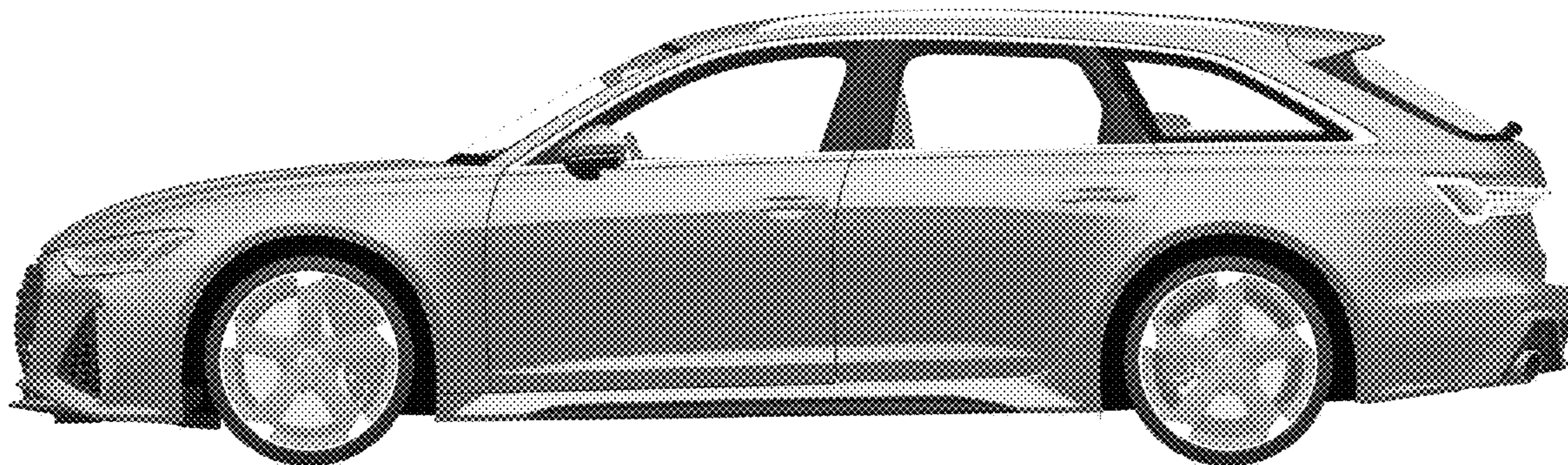


FIG. 6



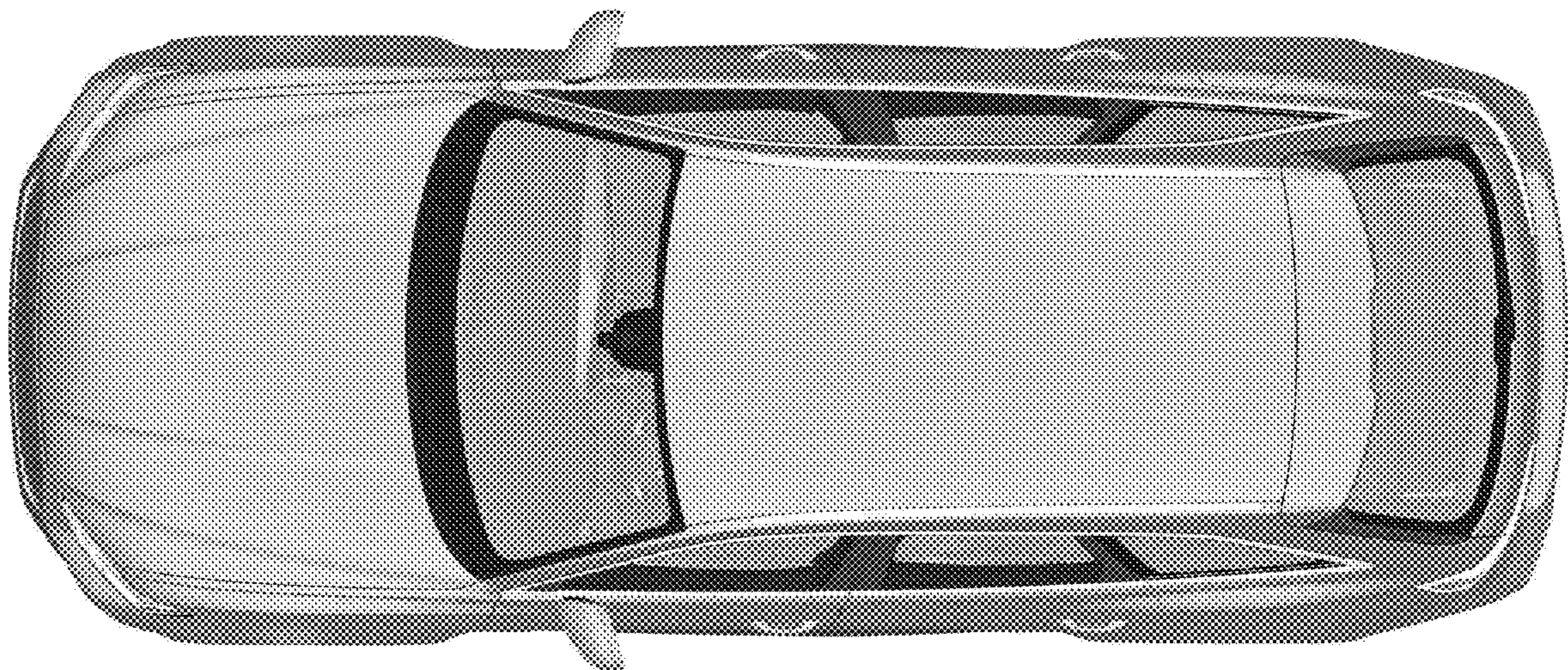


FIG. 7