



US00D898614S

(12) **United States Design Patent**
Hintner

(10) **Patent No.:** **US D898,614 S**

(45) **Date of Patent:** **** Oct. 13, 2020**

(54) **BRA STRAP RETENTION BUTTON**

D878,238 S * 3/2020 Holmes D11/86
D886,658 S * 6/2020 Duncan D11/87
2002/0073732 A1* 6/2002 Masina A44C 17/02
63/1.11

(71) Applicant: **Kyle Ann Hintner**, Austin, TX (US)

(72) Inventor: **Kyle Ann Hintner**, Austin, TX (US)

* cited by examiner

(**) Term: **15 Years**

Primary Examiner — Zenia I Bennett

(21) Appl. No.: **29/679,913**

(22) Filed: **Feb. 11, 2019**

(51) **LOC (12) Cl.** **11-01**

(52) **U.S. Cl.**
USPC **D11/220**

(58) **Field of Classification Search**
USPC D11/1-25.43, 86, 87, 220
CPC .. A44C 1/00; A44C 7/00; A44C 7/002; A44C
7/003; A44B 7/00; A44B 7/0005; A44B
7/0017; A44B 7/0023; A44B 7/0029;
A44B 7/0035; A44B 7/0041; A44B
7/0058; A44B 7/0064

See application file for complete search history.

(56) **References Cited**

U.S. PATENT DOCUMENTS

- 3,831,398 A * 8/1974 Davis, Sr. A44C 15/0045
63/14.9
- 3,905,525 A * 9/1975 Kawamata A63B 57/207
224/245
- 4,959,890 A * 10/1990 Pazurek A44B 1/04
24/113 MP
- 5,048,311 A * 9/1991 Mastrobuono A44C 7/00
24/662
- 5,505,061 A * 4/1996 Fleury, Jr. A44C 7/002
63/13
- 6,898,950 B2* 5/2005 Masina A44C 5/00
63/1.11
- D803,716 S * 11/2017 Grainger D11/86
- D867,920 S * 11/2019 O'Connell D11/86

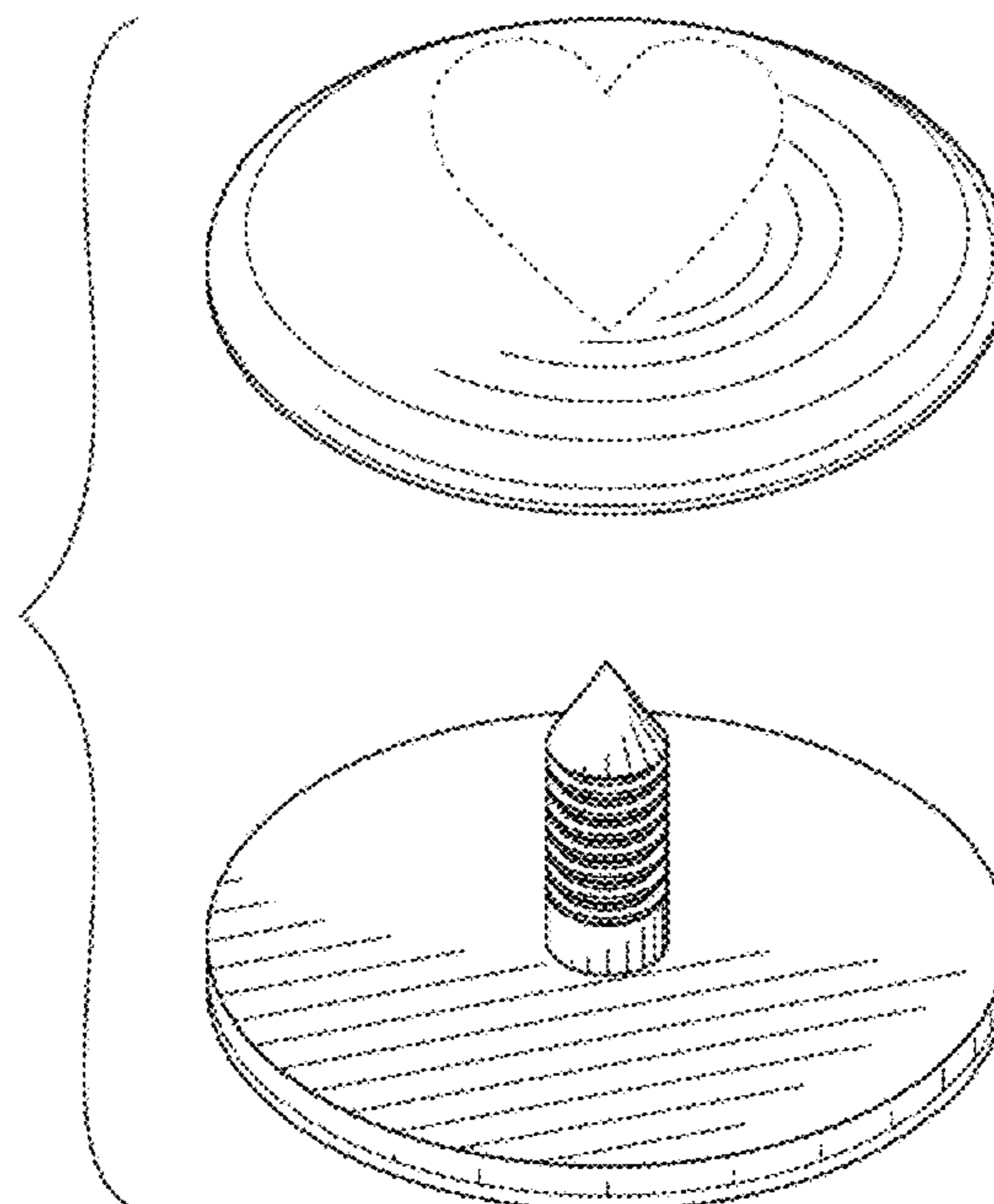
(57) **CLAIM**

The ornamental design for a bra strap retention button, as shown and described.

DESCRIPTION

FIG. 1 is a ¾ top perspective view of a bra strap retention button, including an upper portion and a lower portion, showing my new design;
 FIG. 2 is a ¾ top perspective view of an assembled upper portion and lower portion of the bra strap retention button thereof;
 FIG. 3 is a bottom side view thereof;
 FIG. 4 is a top side plan view thereof;
 FIG. 5 is a right side plan view thereof;
 FIG. 6 is a left side plan view thereof;
 FIG. 7 is a top downward plan view of the upper portion and lower portion thereof;
 FIG. 8 is a bottom upward plan view of the upper portion and lower portion thereof; and,
 FIG. 9 is a ¾ top perspective view of a bra strap retention button thereof showing placement of said upper portion and said lower portion for retaining a bra strap;
 The broken lines showing in the Figures are included for the purposes of illustrating portions of the bra strap retention button and form no part of the claimed design.

1 Claim, 8 Drawing Sheets



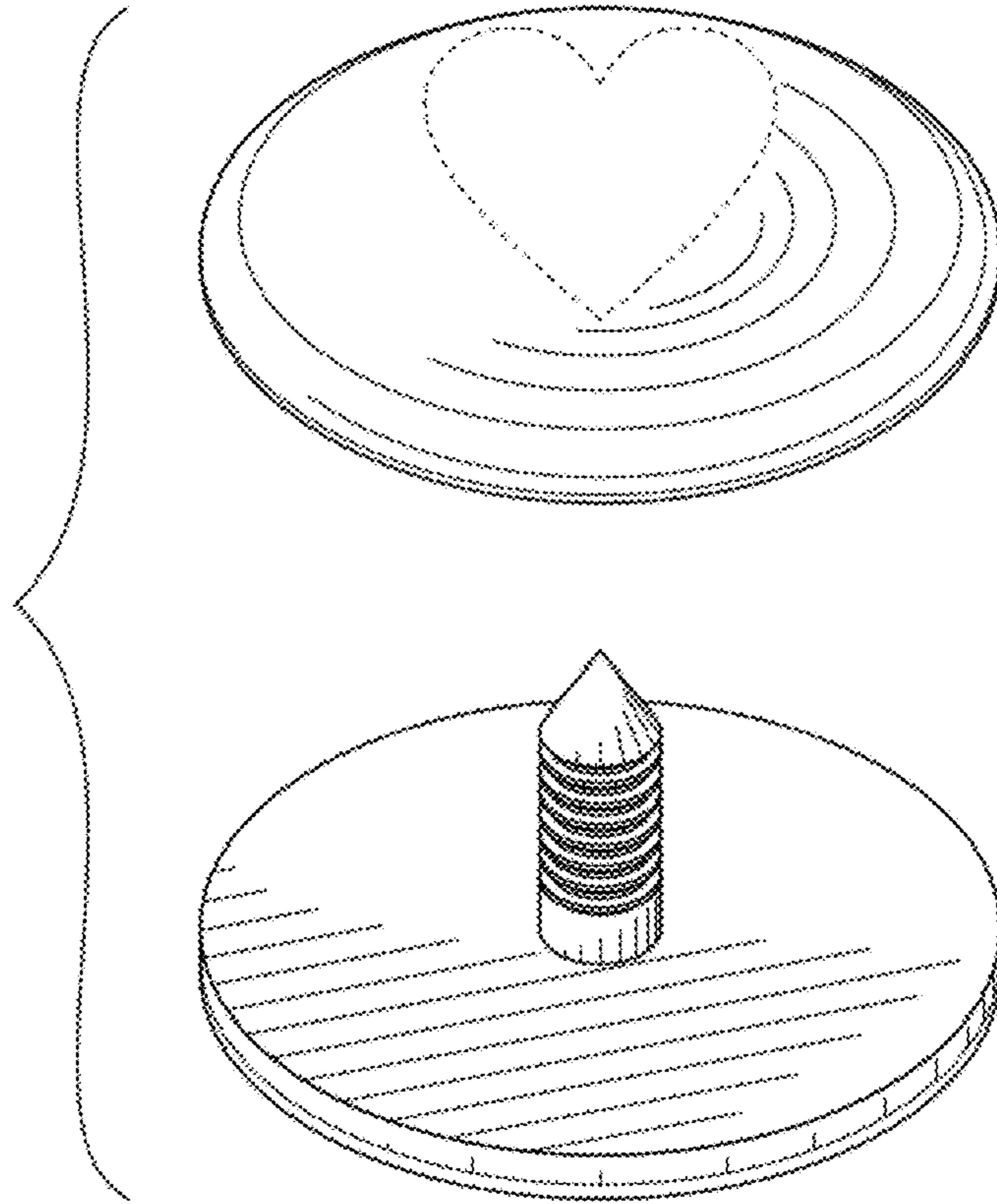


FIG. 1

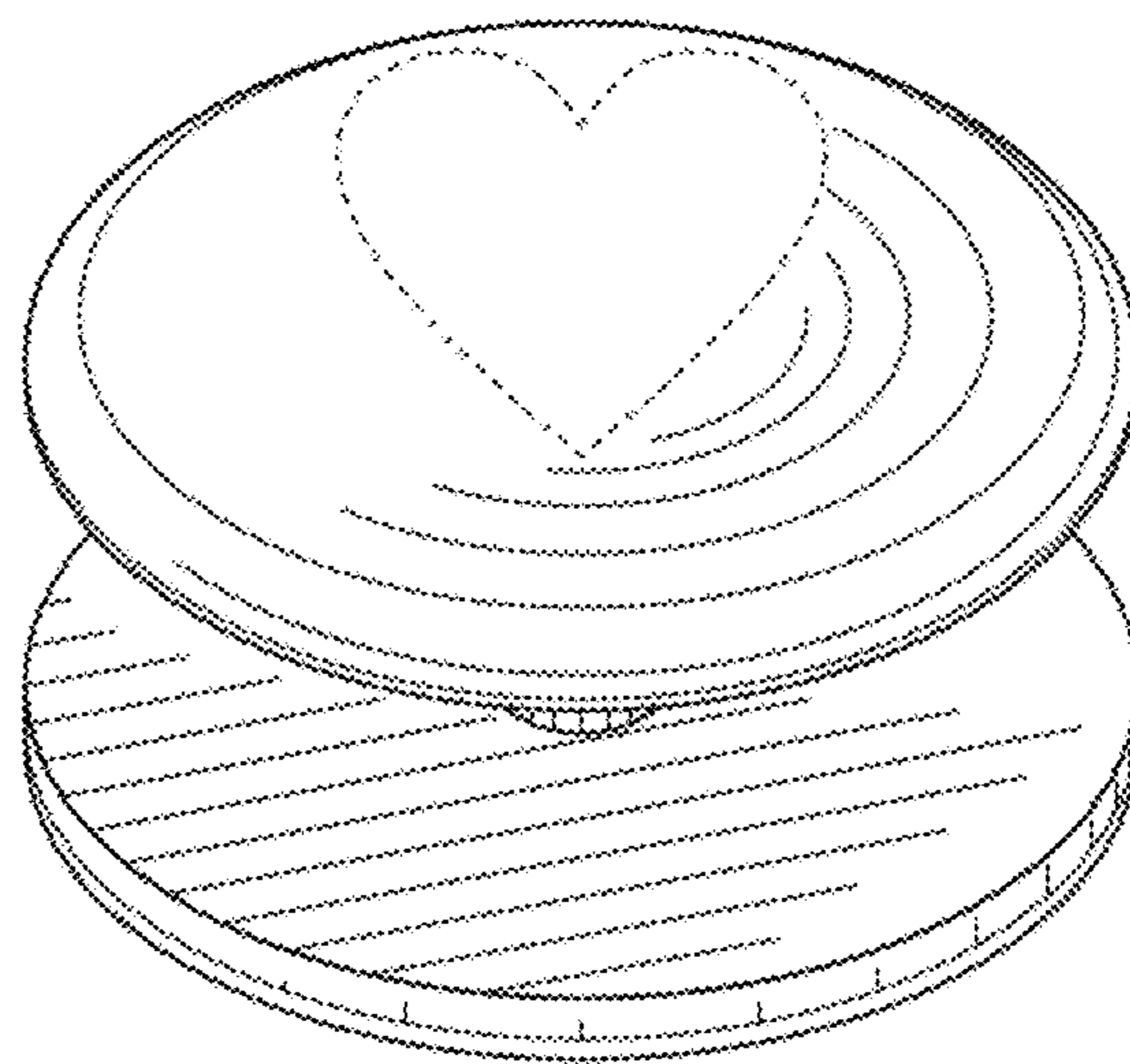


FIG. 2

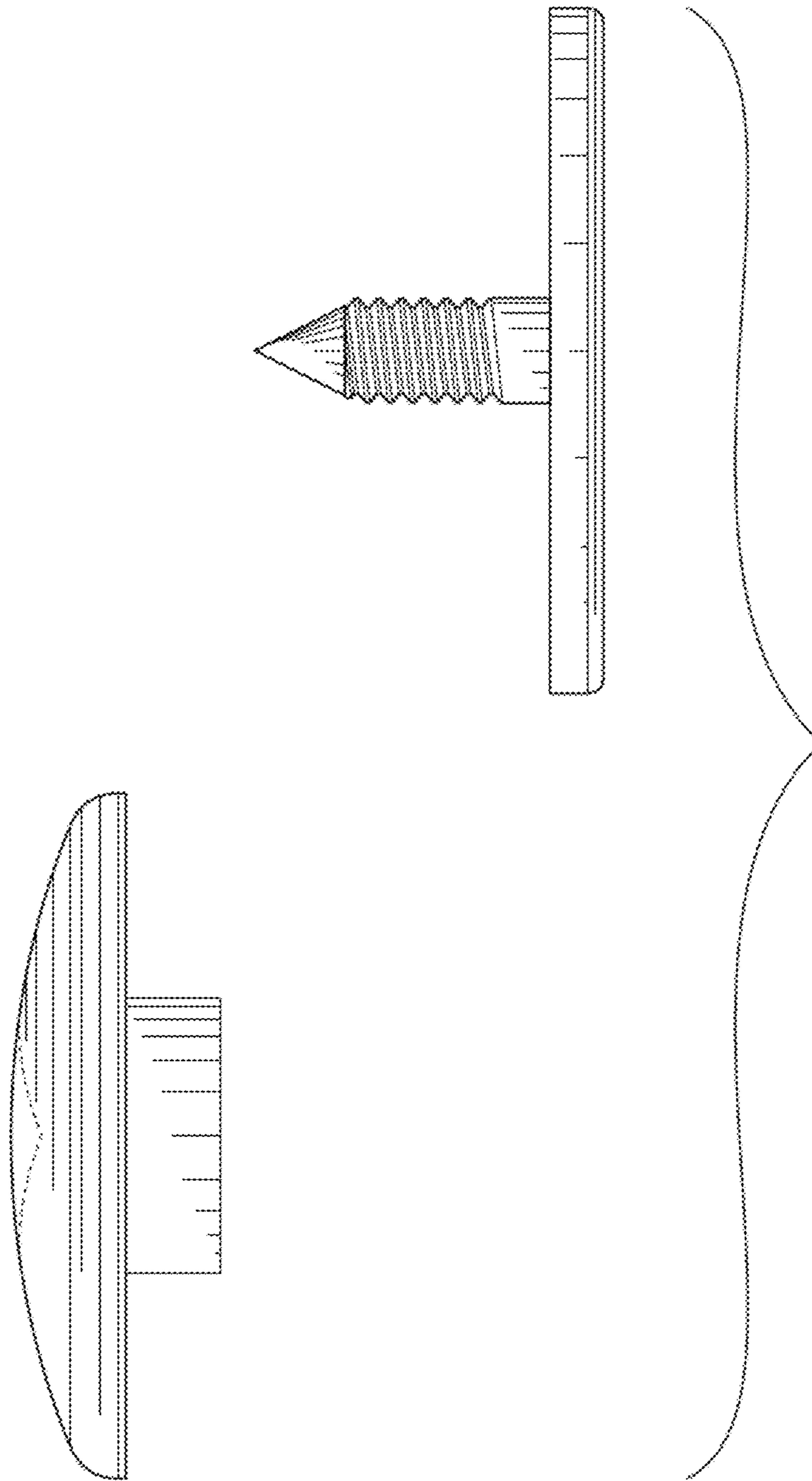


FIG. 3

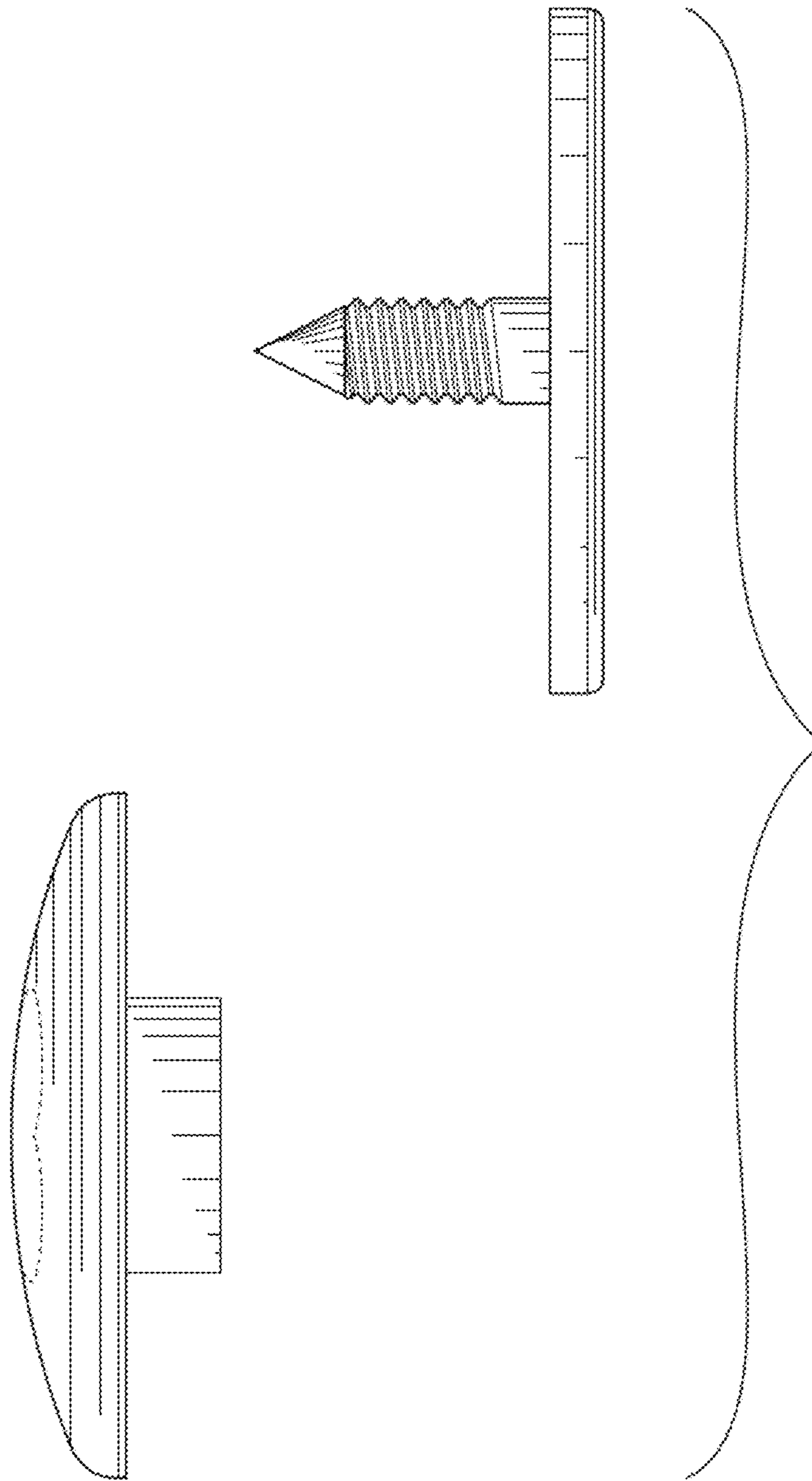


FIG. 4

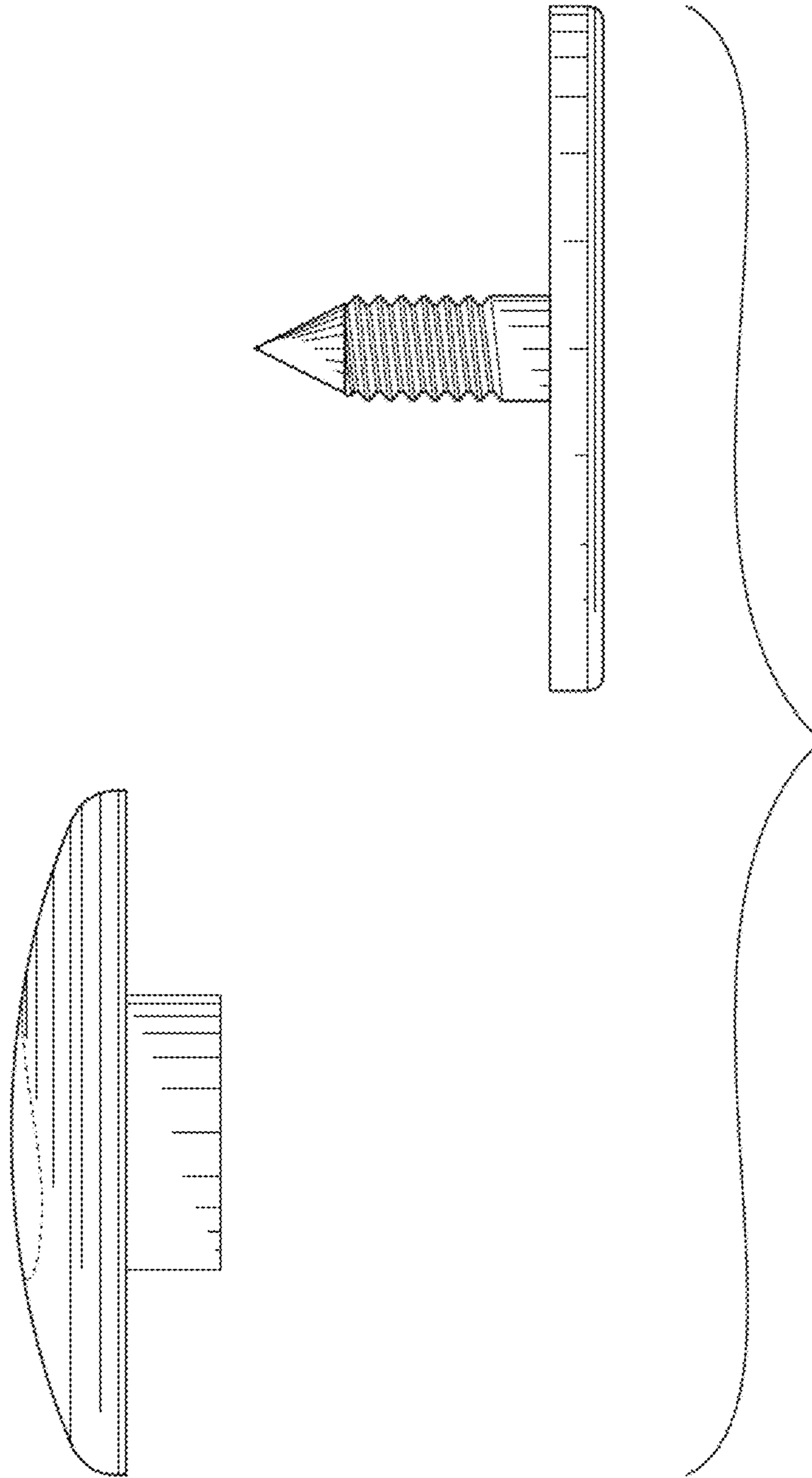


FIG. 5

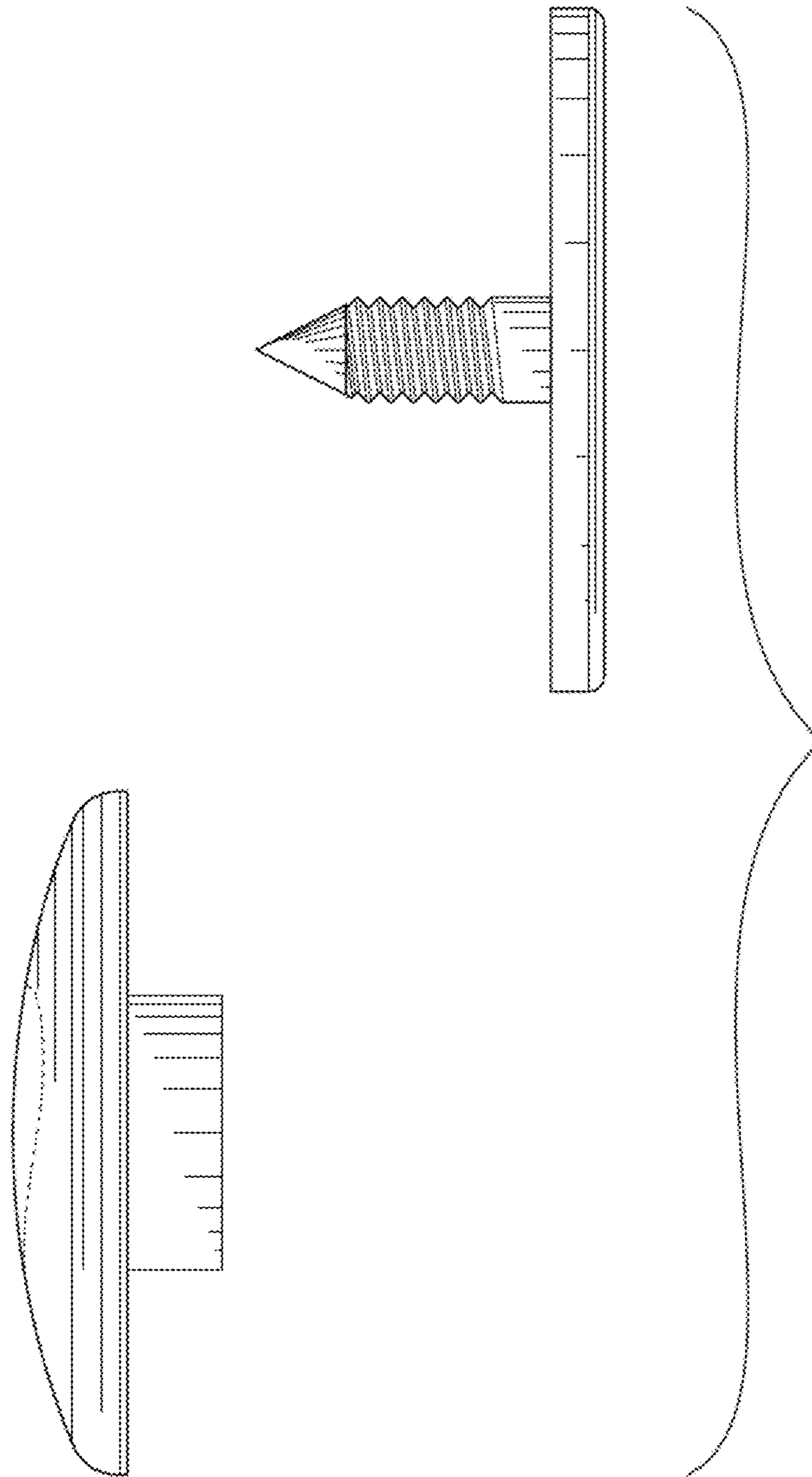


FIG. 6

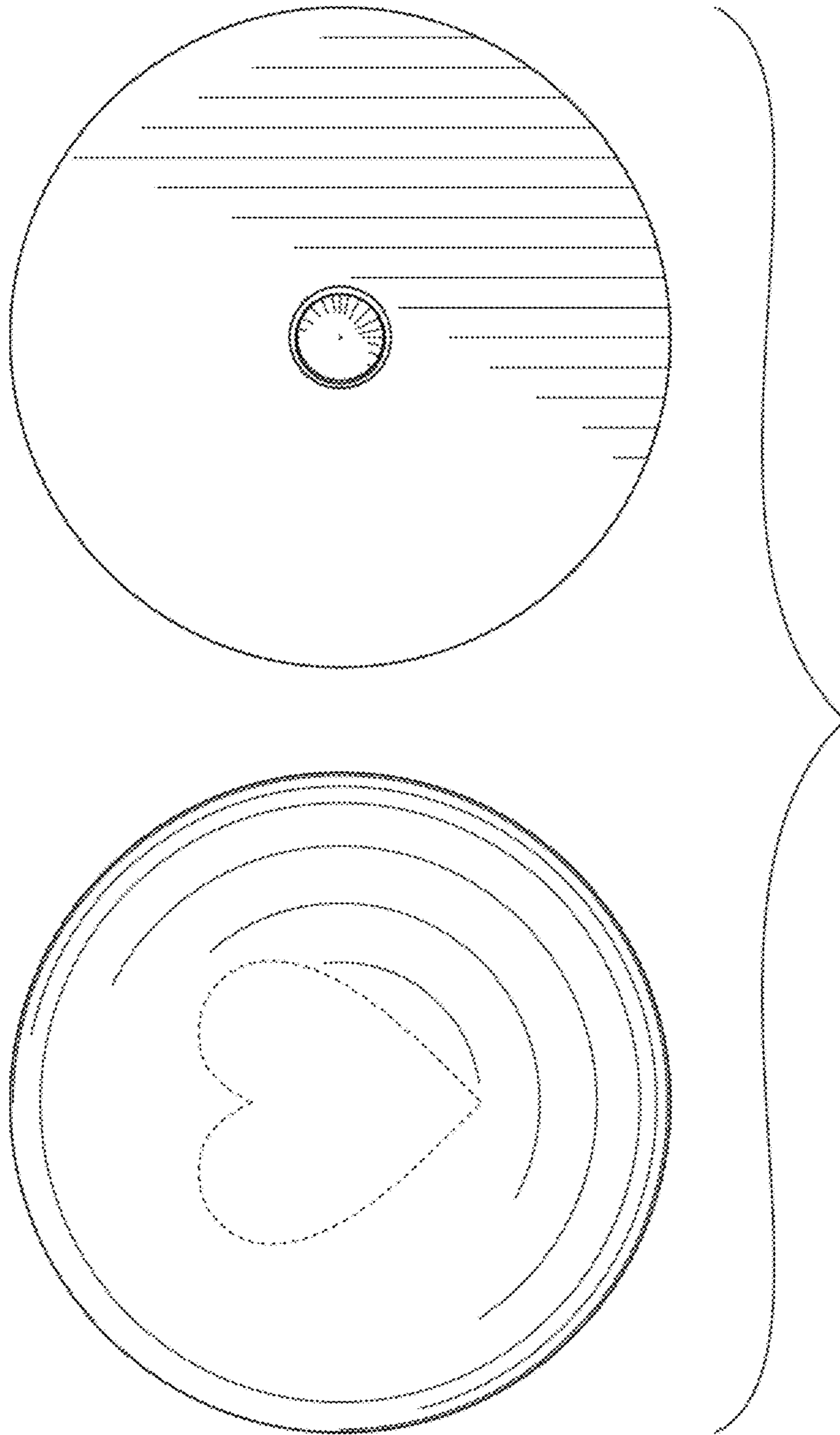


FIG. 7

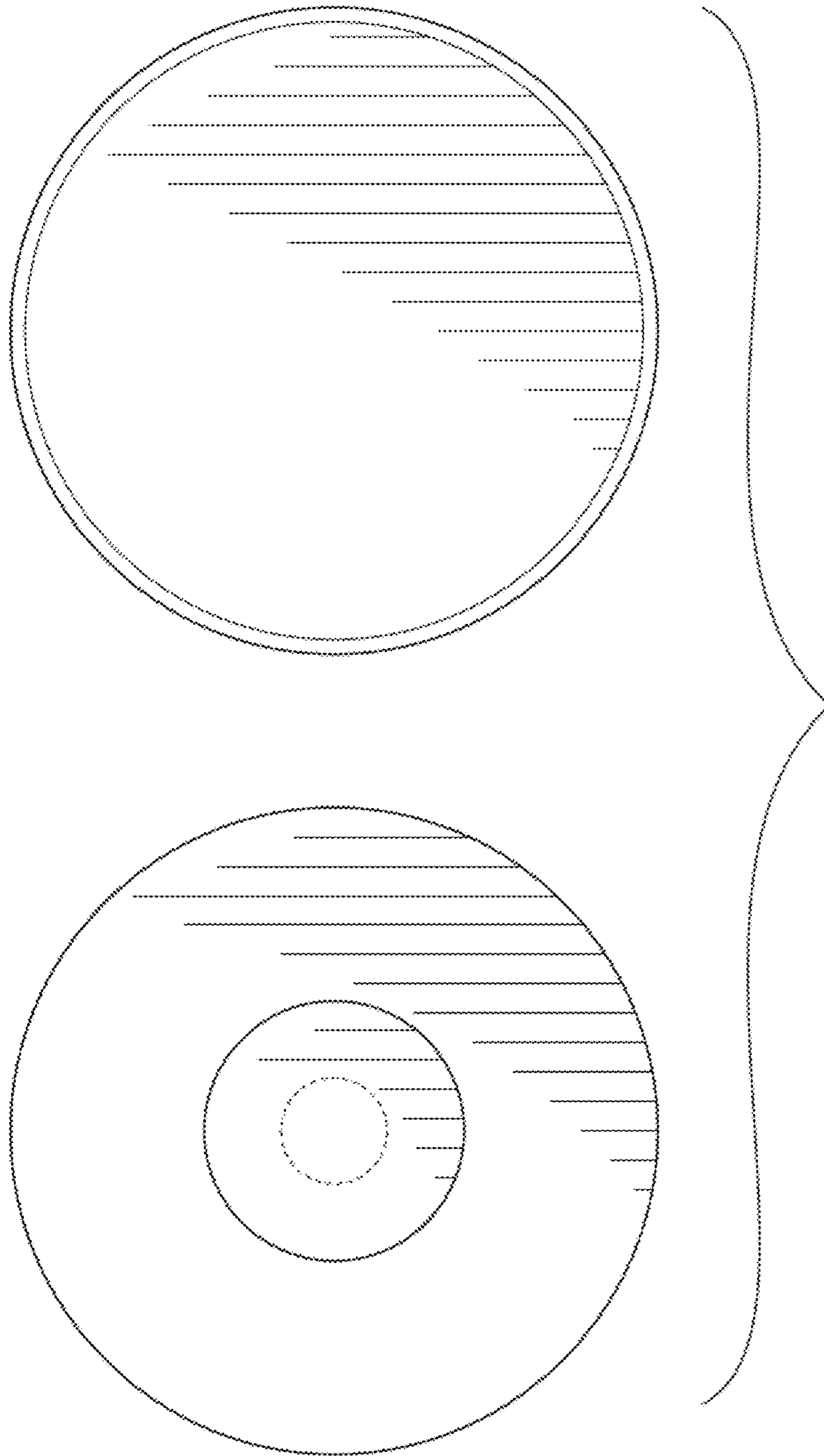


FIG. 8

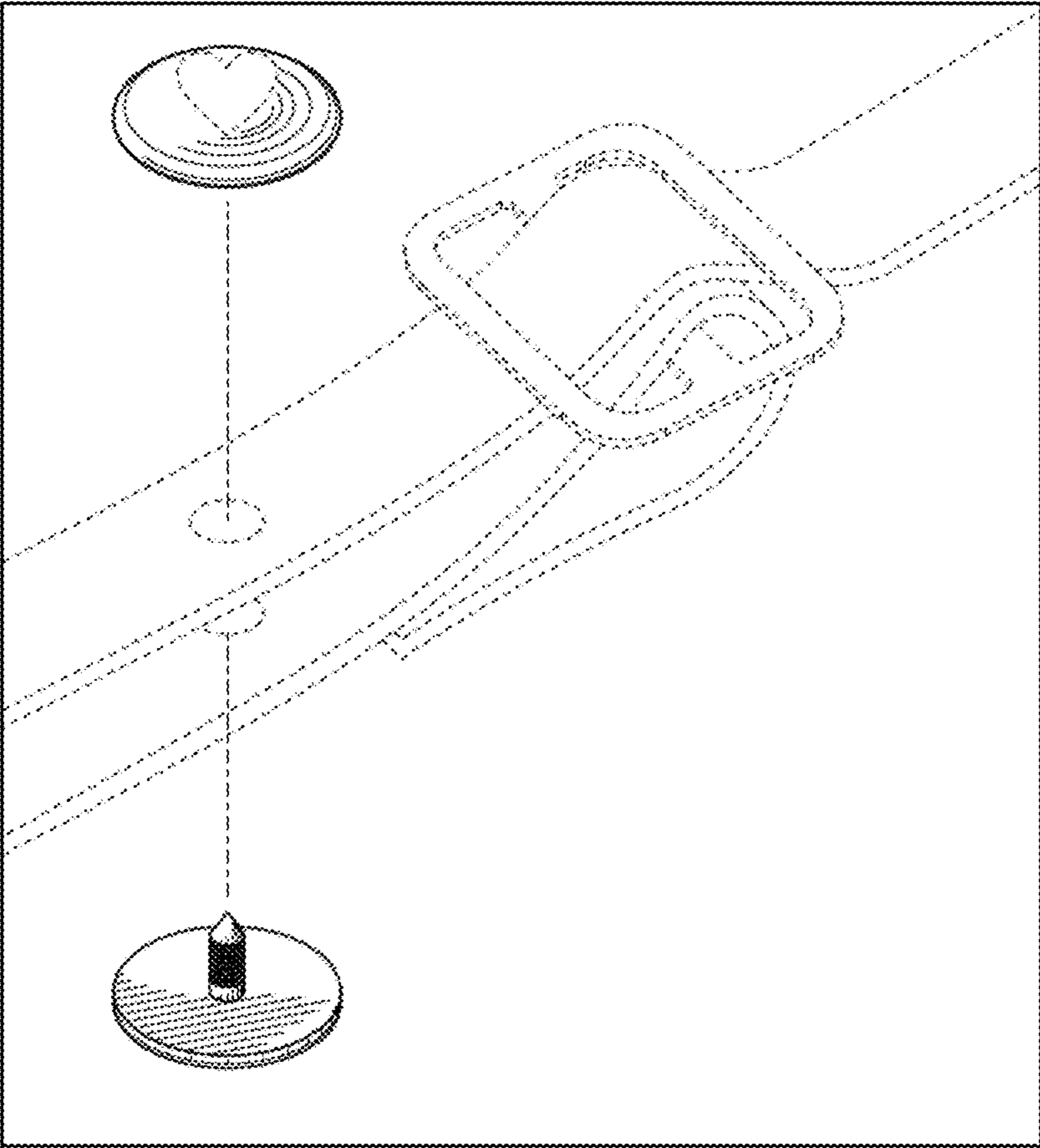


FIG. 9