



US00D898613S

(12) **United States Design Patent**
Stapleton

(10) **Patent No.:** **US D898,613 S**

(45) **Date of Patent:** **** Oct. 13, 2020**

- (54) **SEPARABLE TAG FOR A COLLAR**
- (71) Applicant: **David Stapleton**, Boston, MA (US)
- (72) Inventor: **David Stapleton**, Boston, MA (US)
- (**) Term: **15 Years**
- (21) Appl. No.: **29/636,202**
- (22) Filed: **Feb. 7, 2018**
- (51) **LOC (12) Cl.** **02-07**
- (52) **U.S. Cl.**
USPC **D11/216**; D30/155; D30/152
- (58) **Field of Classification Search**
USPC D11/200, 201, 210, 216–219; D30/152,
D30/155; D2/706
CPC A44B 11/04; A44B 11/06; A44B 11/25;
A44B 11/258; A44B 11/2588; A44B
11/2592; A44B 11/2596; A44B 11/26;
A44B 11/263; A44B 11/266; A44B
17/0023; A44B 99/005; A41F 1/002;
A41F 1/006; A41F 1/008; A01K 11/00;
A01K 11/08; A01K 27/001; Y10T
24/45948
See application file for complete search history.

- D485,209 S * 1/2004 Tracy A44B 11/005
D11/216
- 7,861,443 B2 1/2011 Hill
- 7,877,844 B2 2/2011 Nichols et al.
- D637,365 S * 5/2011 Li D30/155
- 8,151,419 B2 4/2012 Rolain et al.
- 8,356,579 B2 1/2013 Sullivan
- 8,413,357 B1 4/2013 Hagen et al.
- 8,726,850 B2 5/2014 Rosenquist et al.
- 9,675,045 B2 6/2017 Bloom et al.
- 9,861,080 B1 * 1/2018 Hathway A01K 27/009
(Continued)

FOREIGN PATENT DOCUMENTS

BR	PI 0700886-4	10/2008
CN	104145842	11/2014
WO	2008112065	9/2008

Primary Examiner — Kevin K Rudzinski
Assistant Examiner — Clare Ann Gannon
 (74) *Attorney, Agent, or Firm* — Gary E. Lambert; David
 J. Connaughton, Jr.; Lambert Shortell & Connaughton

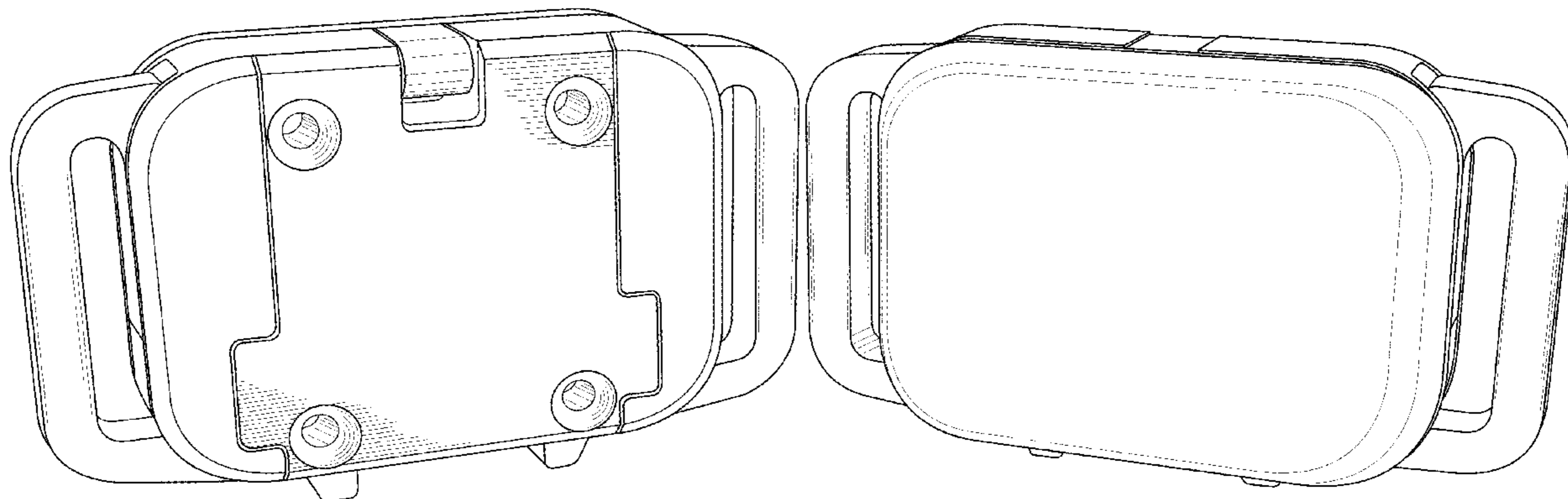
(57) **CLAIM**

The ornamental design for a separable tag for a collar, as shown and described.

DESCRIPTION

FIG. 1 is a rear perspective view of the separable tag for a collar, which embodies my design;
 FIG. 2 is a front perspective view thereof;
 FIG. 3 is a rear view thereof;
 FIG. 4 is a front view thereof;
 FIG. 5 is a top view thereof;
 FIG. 6 is a bottom view thereof;
 FIG. 7 is a right side view thereof;
 FIG. 8 is a left side view thereof;
 FIG. 9 is a front perspective view thereof, shown in an open configuration; and,
 FIG. 10 is a rear perspective view thereof, shown in a separated configuration.

1 Claim, 7 Drawing Sheets



(56)

References Cited

U.S. PATENT DOCUMENTS

D822,536 S * 7/2018 Wu A01K 27/009
D11/216
D867,923 S * 11/2019 Li D11/216
D882,459 S * 4/2020 Fildan A41F 1/00
D11/216
D888,609 S * 6/2020 Templeton D11/216
2003/0217703 A1 11/2003 Kiss
2005/0145203 A1* 7/2005 Wang A01K 27/005
119/865
2006/0032464 A1 2/2006 Newman
2007/0034165 A1 2/2007 Yang
2007/0221140 A1 9/2007 Warren et al.
2007/0283901 A1 12/2007 LeVally
2009/0038670 A1 2/2009 Shu
2009/0064472 A1 3/2009 Olsen
2009/0288616 A1 11/2009 Csenar
2012/0073517 A1 3/2012 Dukes
2013/0027207 A1* 1/2013 Goetzl A01K 11/008
340/573.3
2014/0157554 A1 6/2014 Hammond et al.
2016/0120154 A1* 5/2016 Hill A01K 29/005
340/573.3
2016/0135431 A1* 5/2016 Sheldon H02J 7/0047
119/859
2016/0165853 A1* 6/2016 Goldfain A01K 29/005
340/573.3
2018/0049409 A1* 2/2018 Sporn A01K 27/008
2018/0153138 A1* 6/2018 Goetzl A01K 15/022

* cited by examiner

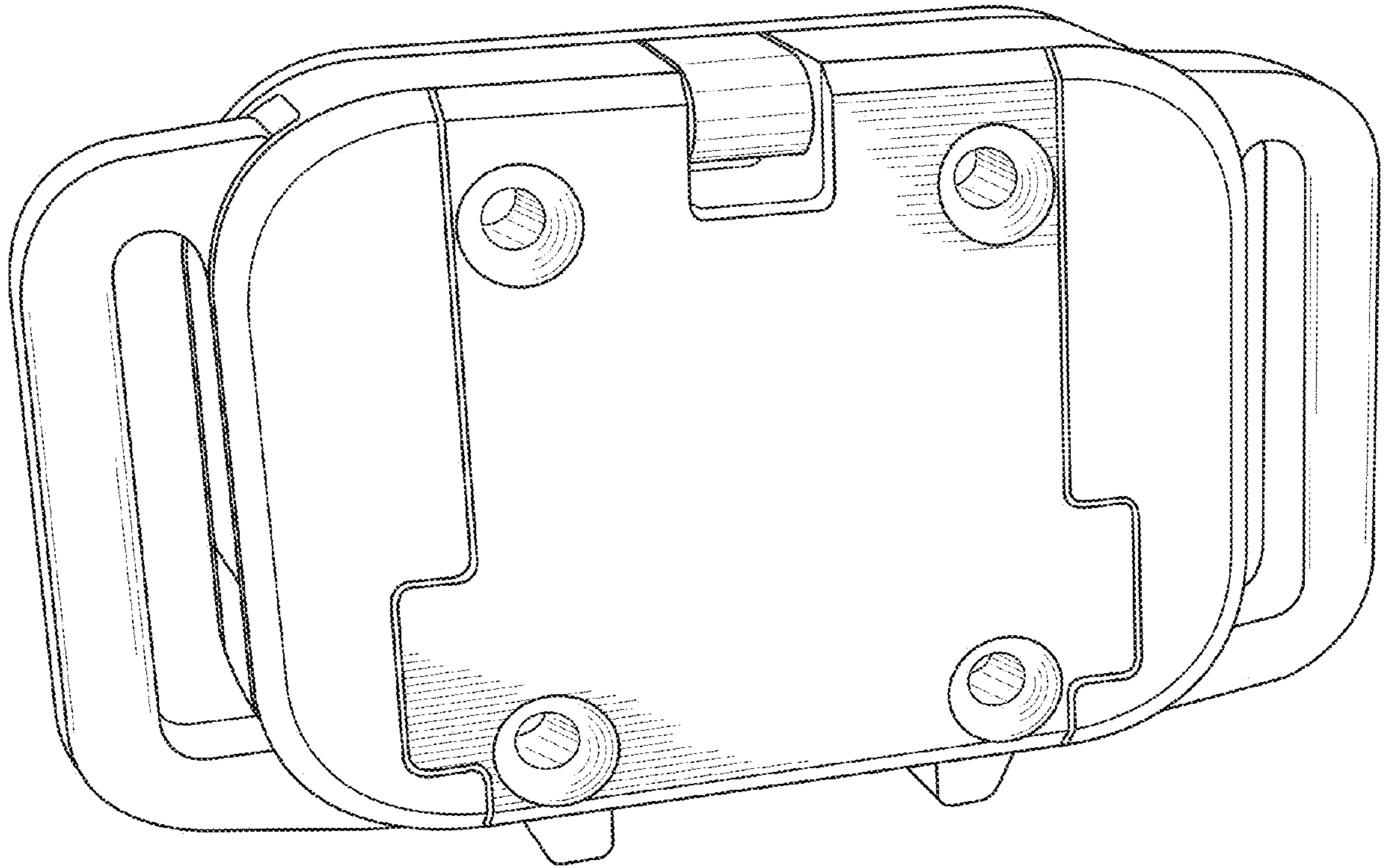


Fig. 1

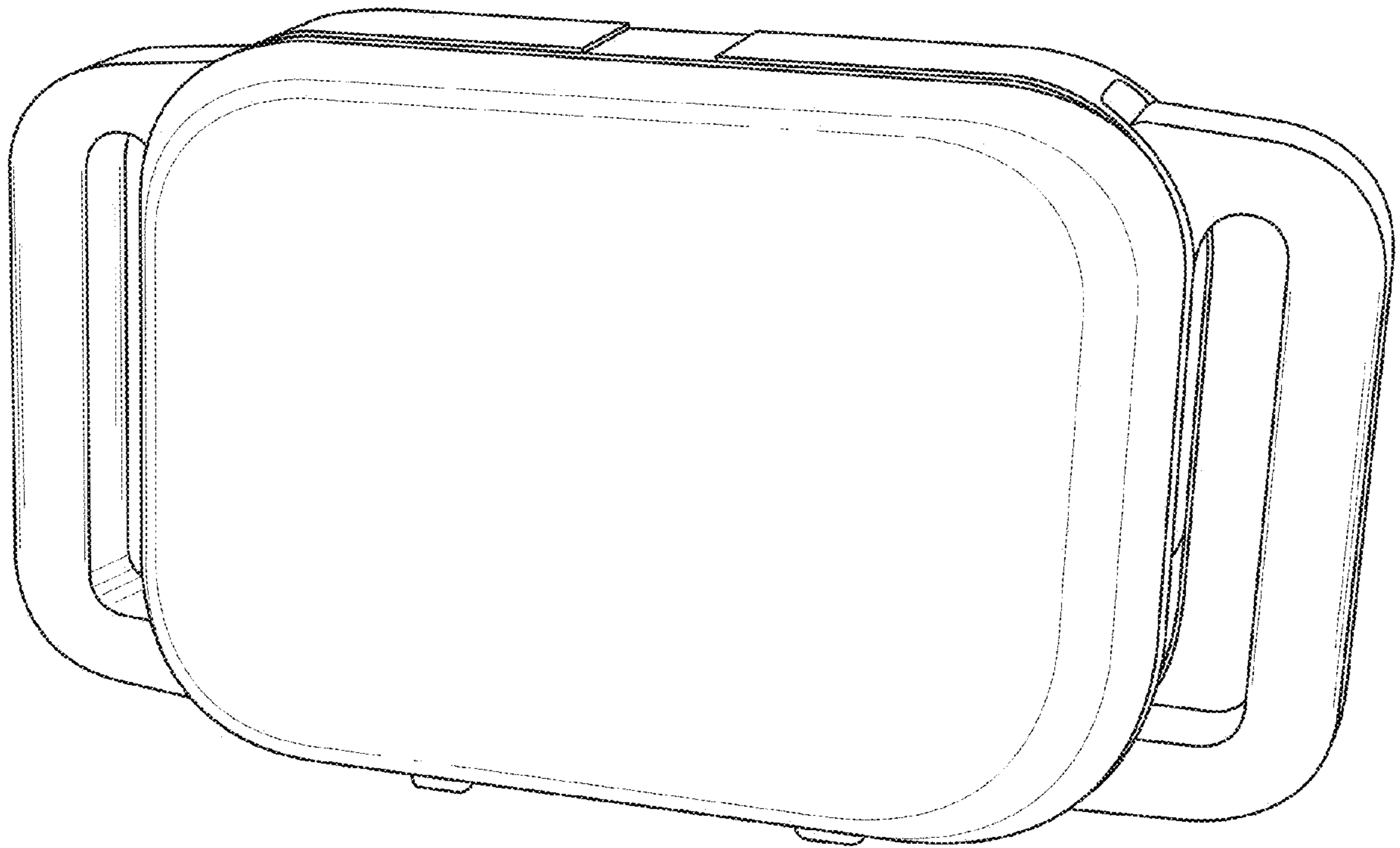


Fig. 2

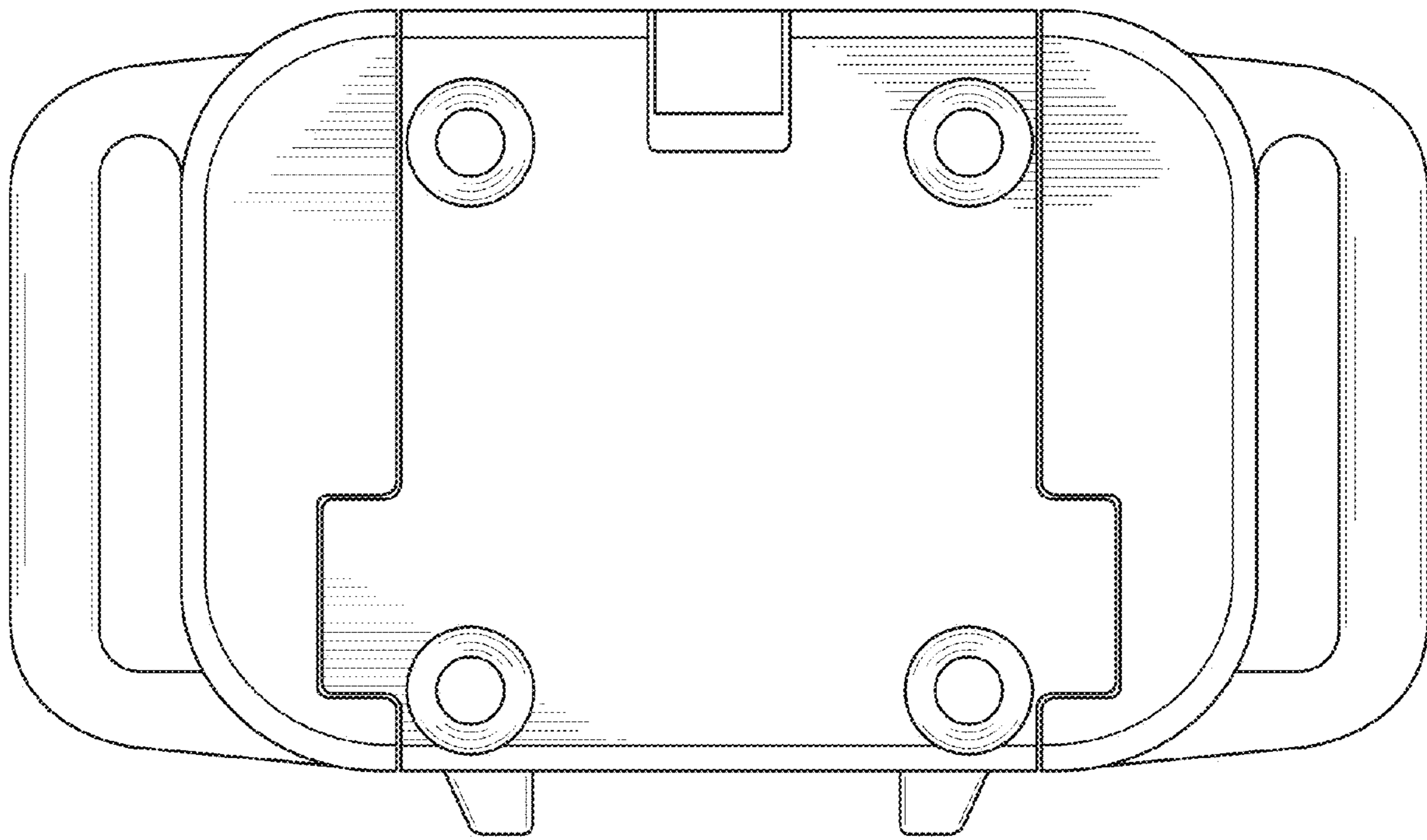


Fig. 3

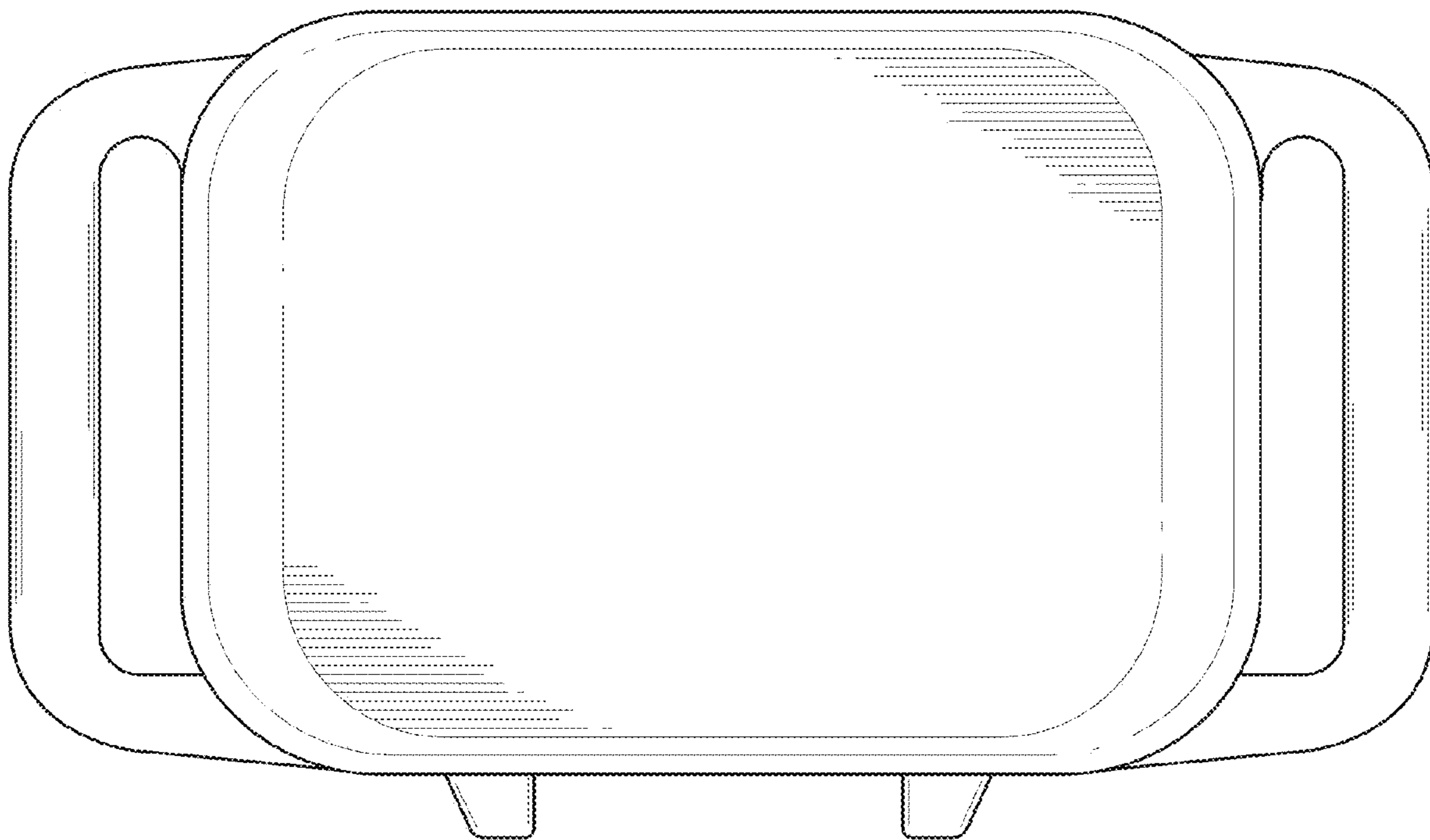


Fig. 4

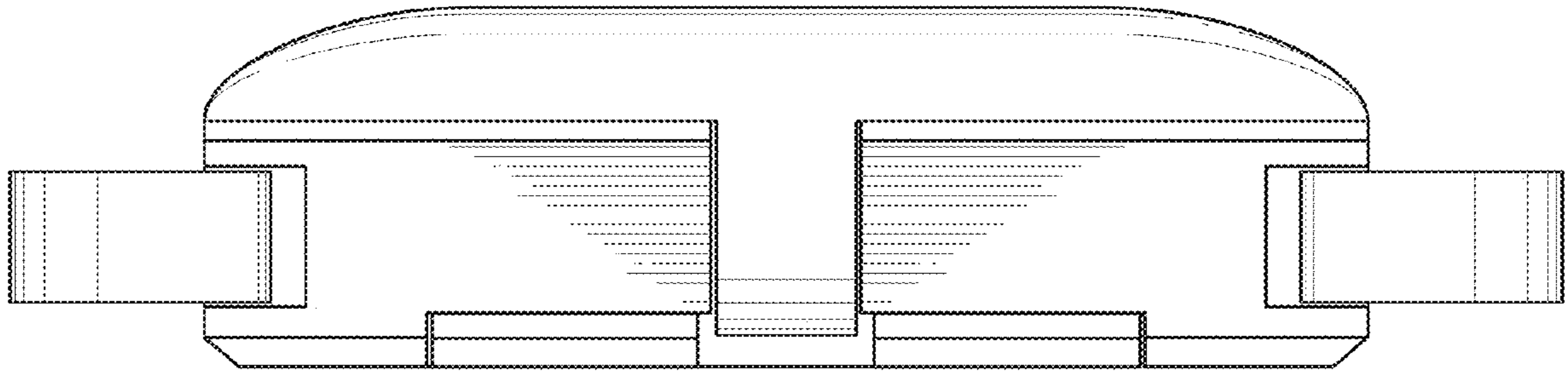


Fig. 5

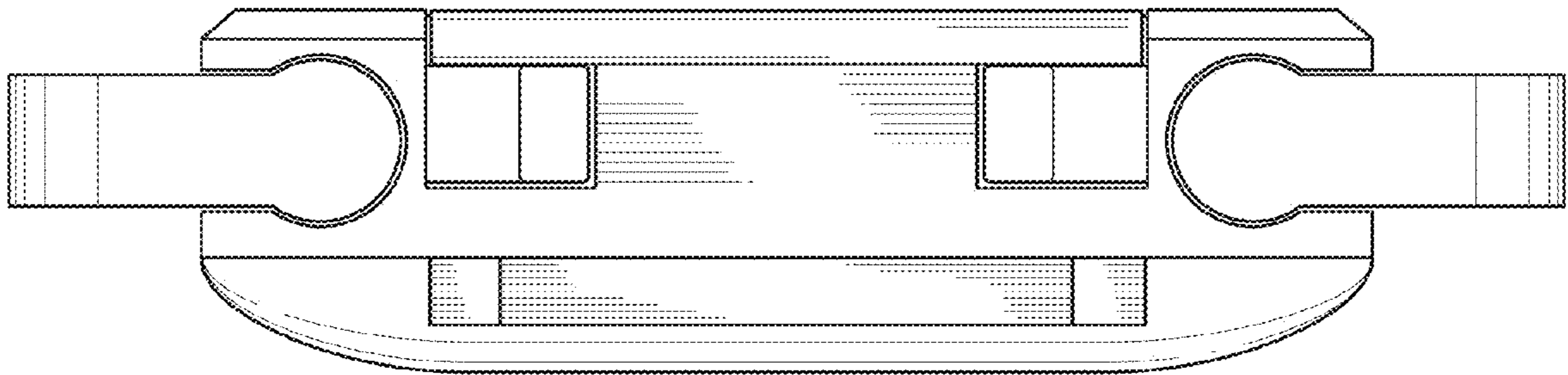


Fig. 6

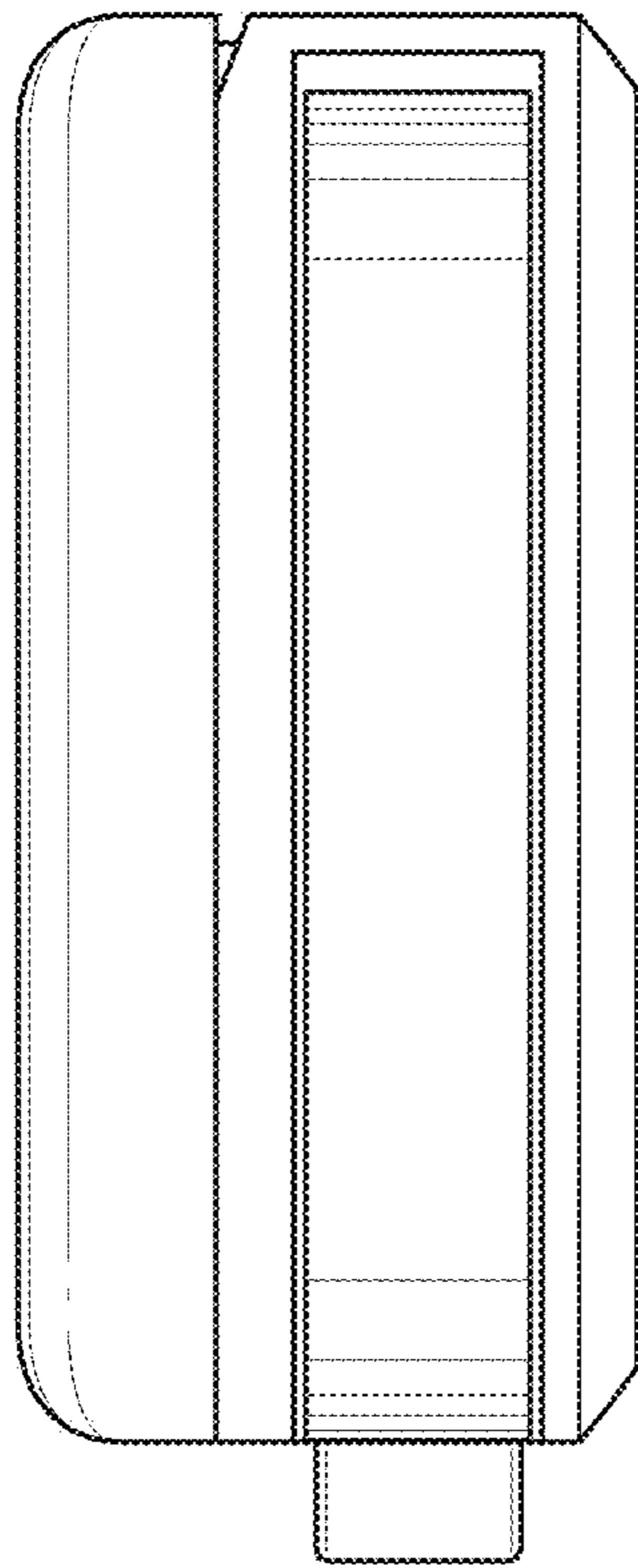


Fig. 7

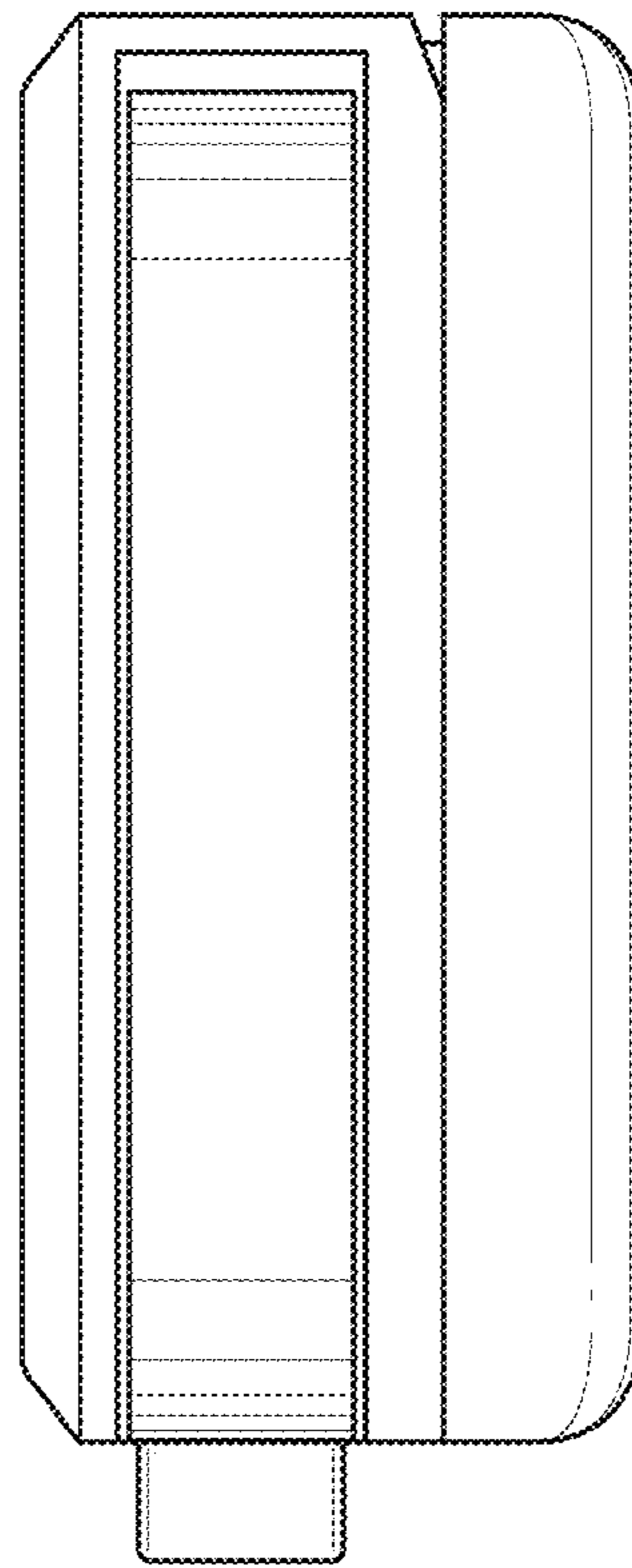


Fig. 8



Fig. 9

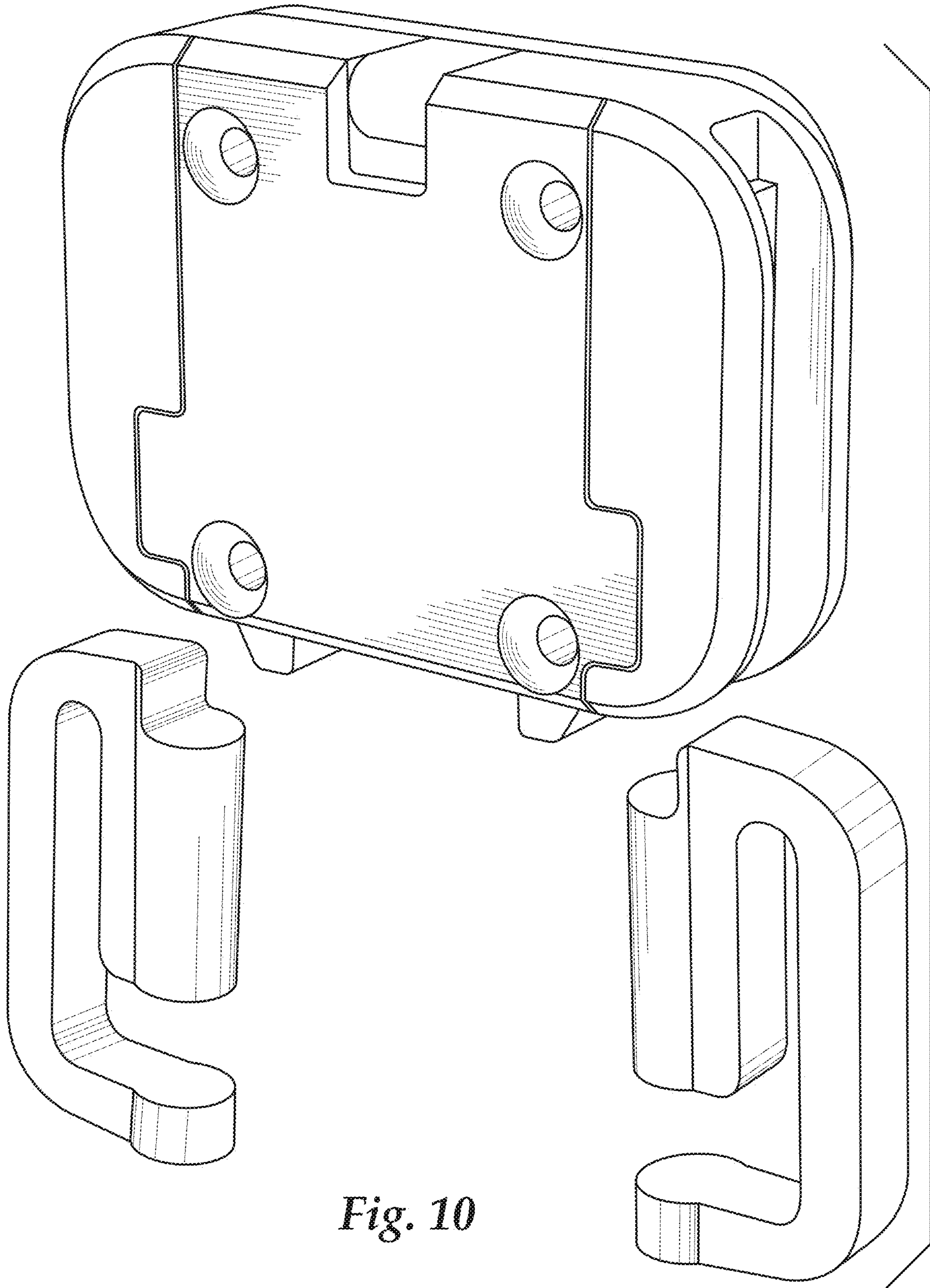


Fig. 10