



US00D898603S

(12) **United States Design Patent**
Nauroy

(10) **Patent No.:** **US D898,603 S**
(45) **Date of Patent:** **** Oct. 13, 2020**

(54) **WATCH BAND**

DESCRIPTION

- (71) Applicant: **Design Pool Limited**, Sheung Wan (HK)
- (72) Inventor: **Fabien Malcom Nauroy**, Sheung Wan (HK)
- (73) Assignee: **DESIGN POOL LIMITED**, Sheung Wan (HK)
- (**) Term: **15 Years**
- (21) Appl. No.: **29/595,899**
- (22) Filed: **Mar. 2, 2017**
- (30) **Foreign Application Priority Data**
 - Sep. 2, 2016 (HK) 1601678.6M001-M002
- (51) **LOC (12) Cl.** **11-01**
- (52) **U.S. Cl.**
 - USPC **D11/3**
- (58) **Field of Classification Search**
 - USPC D11/1-6; D10/32, 38, 70; D14/344
 - (Continued)
- (56) **References Cited**
 - U.S. PATENT DOCUMENTS**
 - 2,266,953 A * 12/1941 Blue A44C 5/0053
224/178
 - D136,736 S * 11/1943 Mercer D11/3
 - (Continued)

Primary Examiner — Llorellys Martinez
(74) *Attorney, Agent, or Firm* — JCIP; Joseph G. Chu; Jeremy I. Maynard

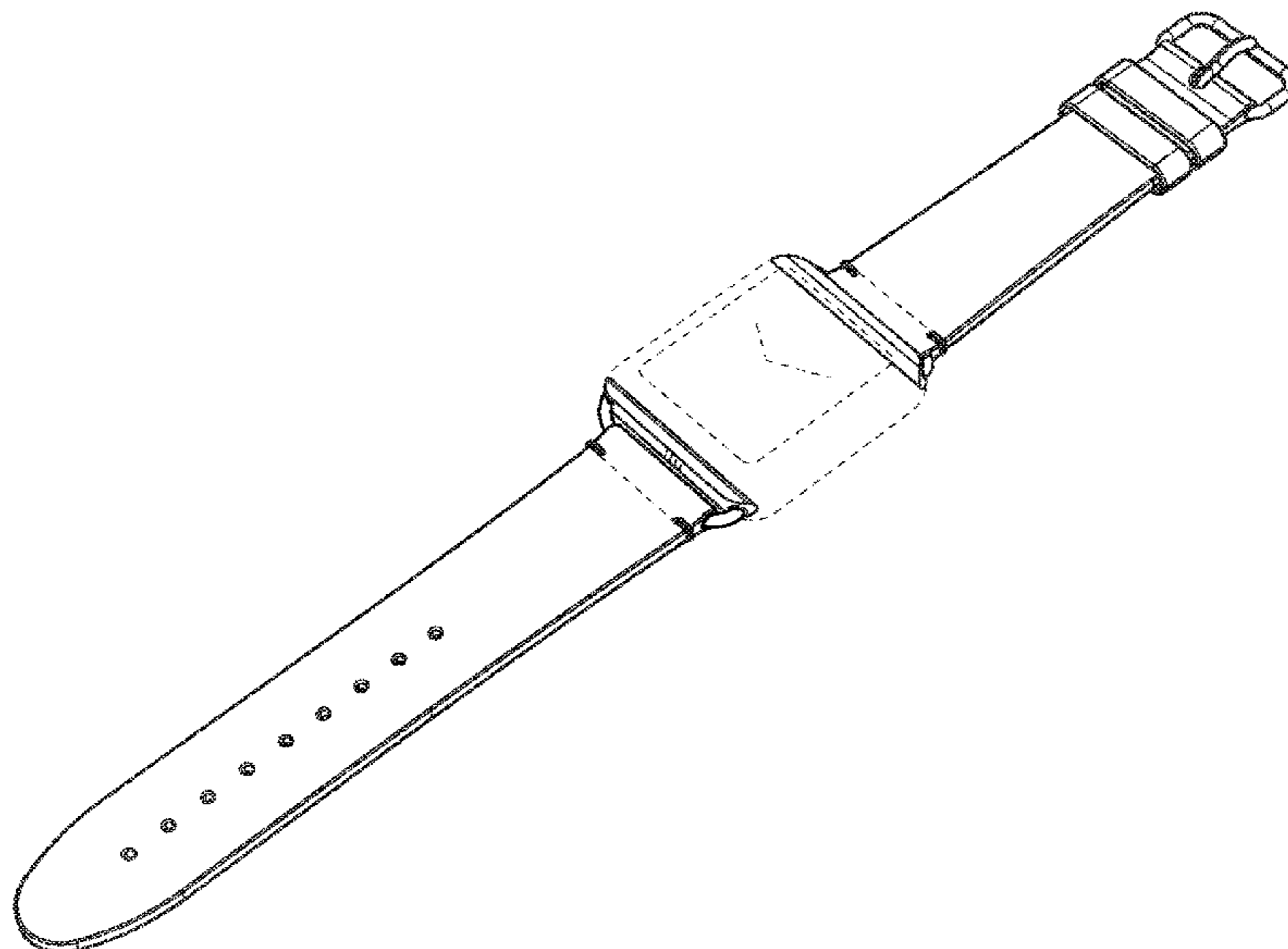
(57) **CLAIM**
The ornamental design for a watch band, as shown and described.

FIG. 1 is a front view of a first embodiment of a watch band;
 FIG. 2 is a rear view of the first embodiment of the watch band;
 FIG. 3 is a top view of the first embodiment of the watch band;
 FIG. 4 is a bottom view of the first embodiment of the watch band;
 FIG. 5 is a left side view of the first embodiment of the watch band;
 FIG. 6 is a right side view of the first embodiment of the watch band;
 FIG. 7 is a front perspective view of the first embodiment of the watch band;
 FIG. 8 is a front view of a second embodiment of the watch band;
 FIG. 9 is a rear view of the second embodiment of the watch band;
 FIG. 10 is a top view of the second embodiment of the watch band;
 FIG. 11 is a bottom view of the second embodiment of the watch band;
 FIG. 12 is a left side view of the second embodiment of the watch band;
 FIG. 13 is a right side view of the second embodiment of the watch band; and
 FIG. 14 is a front perspective view of the second embodiment of the watch band.

The vertical and horizontal broken lines shown along the perimeter of the rear side of the second embodiment of the watch band in FIG. 9 represent a surface/stitching pattern that intersects and intertwines with the diagonal surface pattern.

The broken lines in the drawings showing a watch element represent environmental subject matter only and form no part of the claimed design. The other broken lines in the drawings represent portions of the watch band that form no part of the claimed design.

1 Claim, 6 Drawing Sheets



(58) **Field of Classification Search**

CPC A44C 5/00; A44C 5/0053; A44C 5/0084;
 A44C 5/0092; A44C 5/12; A44C 5/14
 See application file for complete search history.

(56) **References Cited**

U.S. PATENT DOCUMENTS

D257,334	S	*	10/1980	Hofman	D11/3
D257,335	S	*	10/1980	Hofman	D11/3
D324,343	S	*	3/1992	Tse	D10/32
D377,613	S	*	1/1997	Consolo	D10/32
D378,807	S	*	4/1997	Houlihan	D11/3
D382,819	S	*	8/1997	Shapiro	D10/32
D383,692	S	*	9/1997	Woo	D11/3
D391,865	S	*	3/1998	Brzezinski	D10/30
D407,342	S	*	3/1999	Ishizaka	D11/3
D652,756	S	*	1/2012	Lans	D11/3
D660,740	S	*	5/2012	Cullen	D11/3
D675,123	S	*	1/2013	Nunez	D11/3
D718,170	S	*	11/2014	Aumiller	D10/32
D719,467	S	*	12/2014	Bradbury	D10/32
D799,362	S	*	10/2017	Haynes	D11/5
D802,465	S	*	11/2017	Dukerschein	D11/3
D802,467	S	*	11/2017	Novak	D11/3
D808,844	S	*	1/2018	Lee-Hearn	D11/5
D824,273	S	*	7/2018	Akana	D11/3
D854,439	S	*	7/2019	Dukerschein	D11/3
2009/0274015	A1	*	11/2009	Sun	A44C 5/0053 368/282
2011/0209373	A1	*	9/2011	Padgett	A44C 5/14 40/633
2016/0282899	A1	*	9/2016	Inagaki	A44C 5/0053
2017/0181510	A1	*	6/2017	Novak	A44C 5/147
2017/0188669	A1	*	7/2017	Dukerschein	A44C 5/0053

* cited by examiner

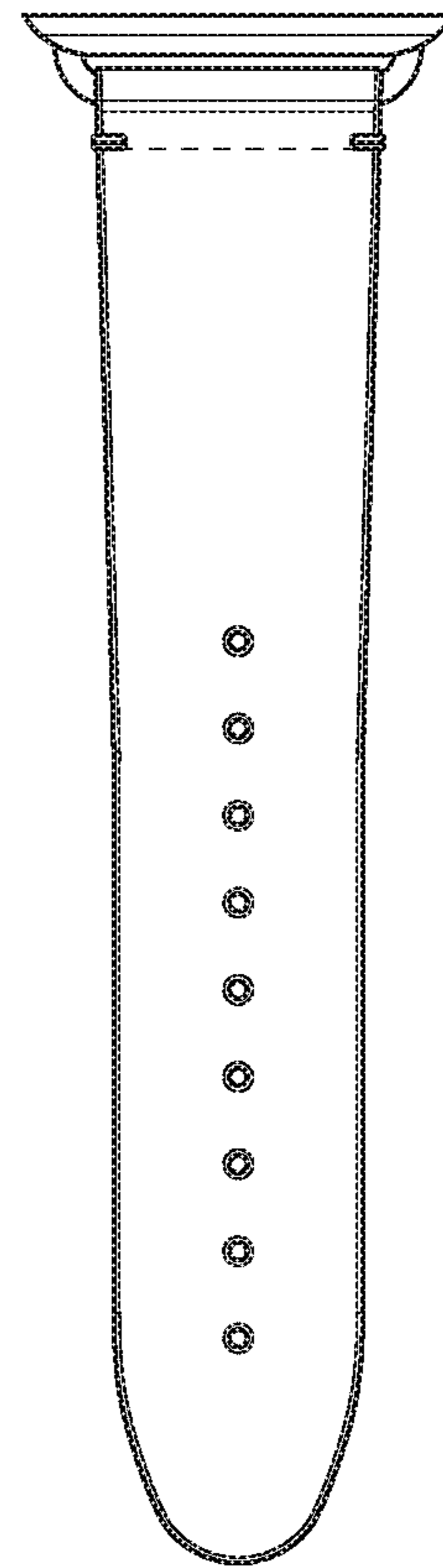
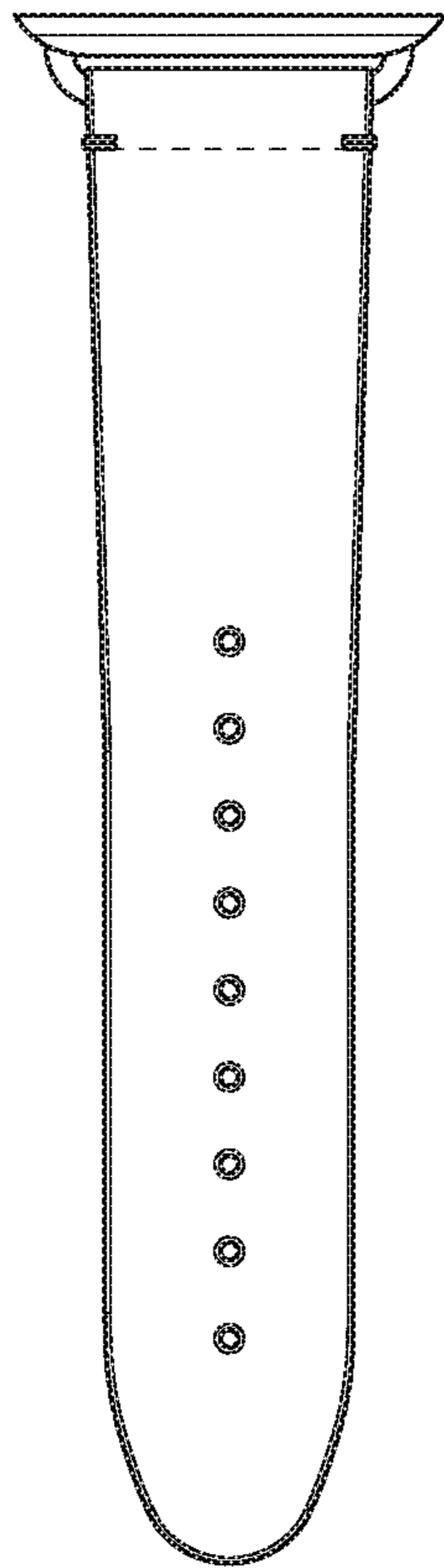
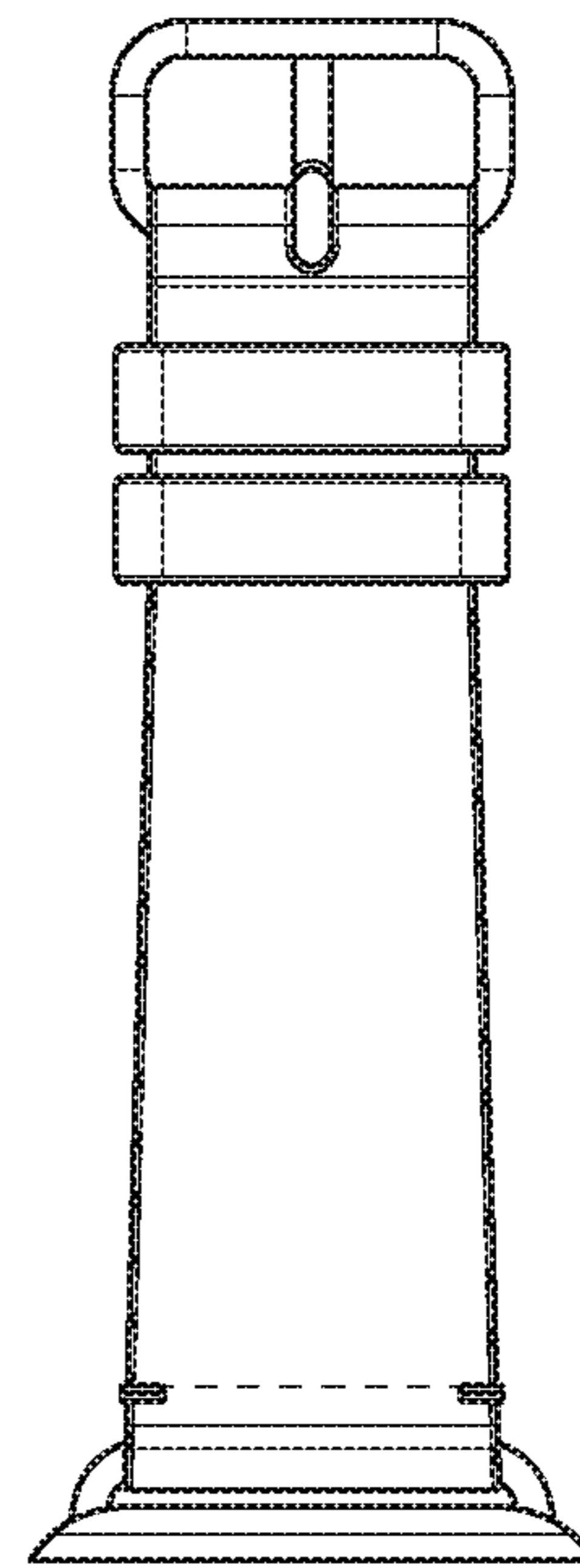
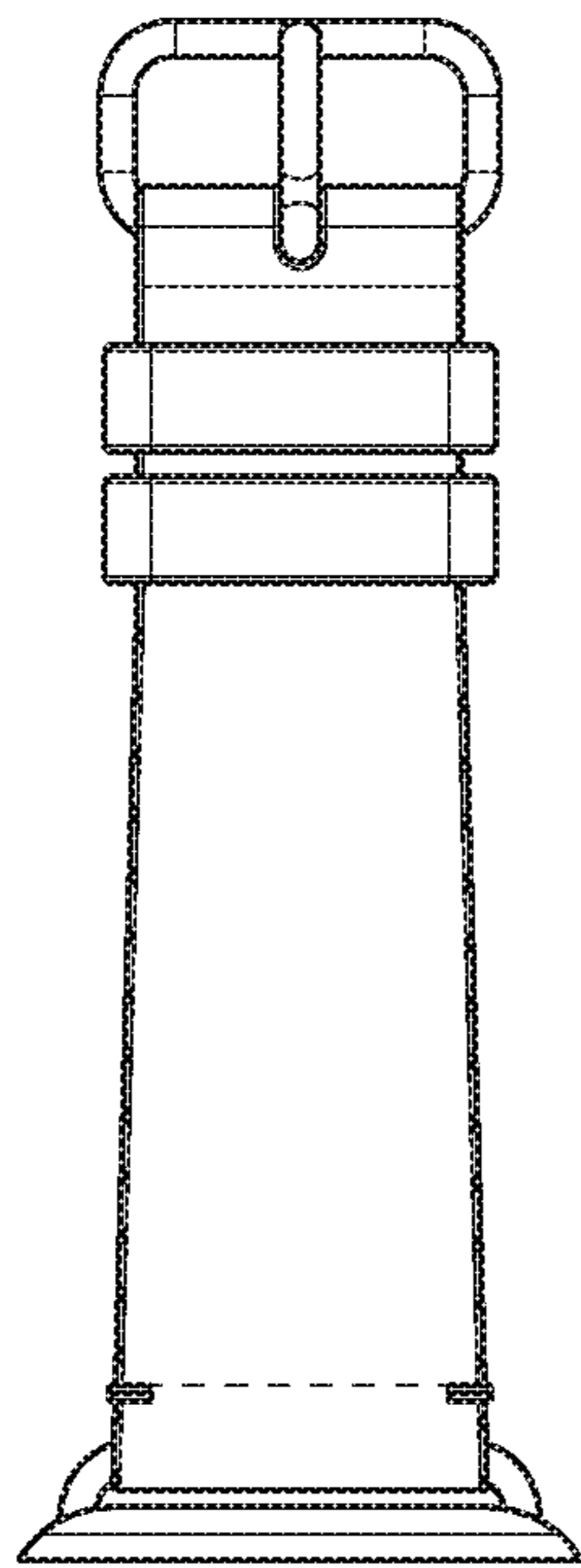


FIG. 1

FIG. 2



FIG. 3



FIG. 4

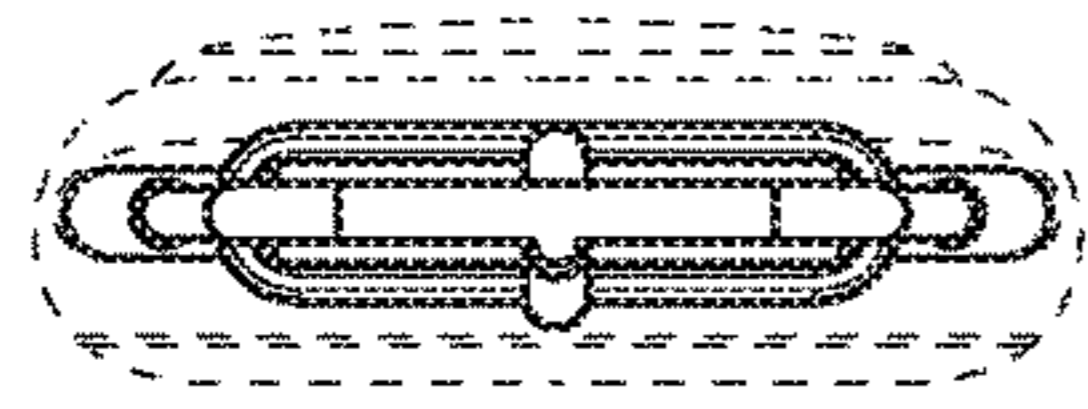


FIG. 5

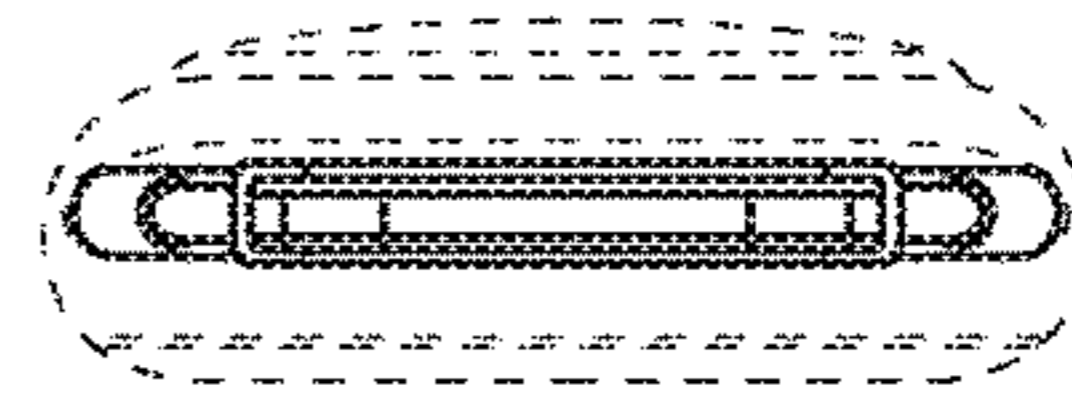


FIG. 6

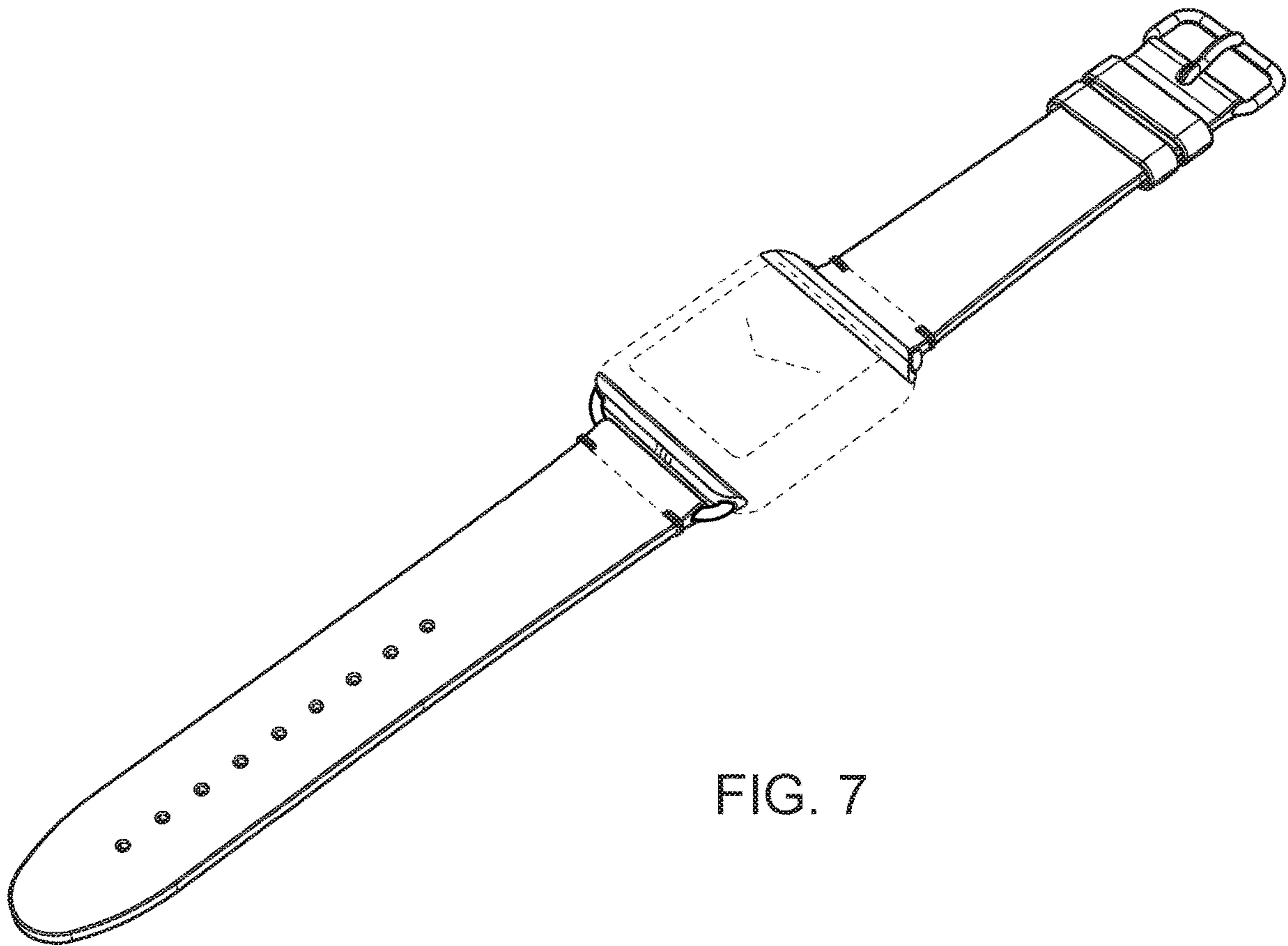


FIG. 7

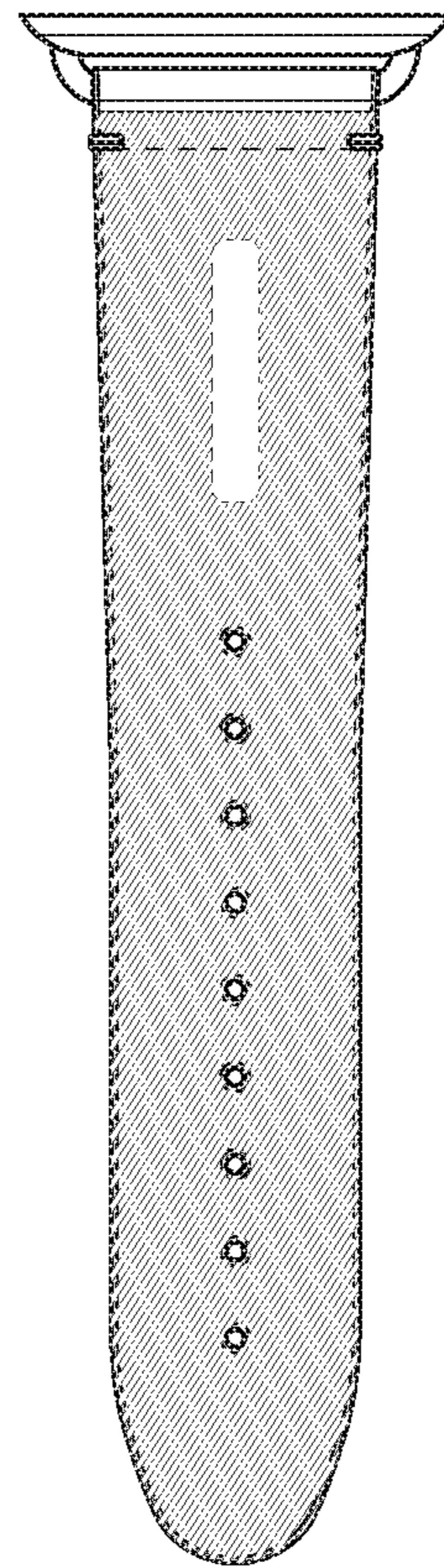
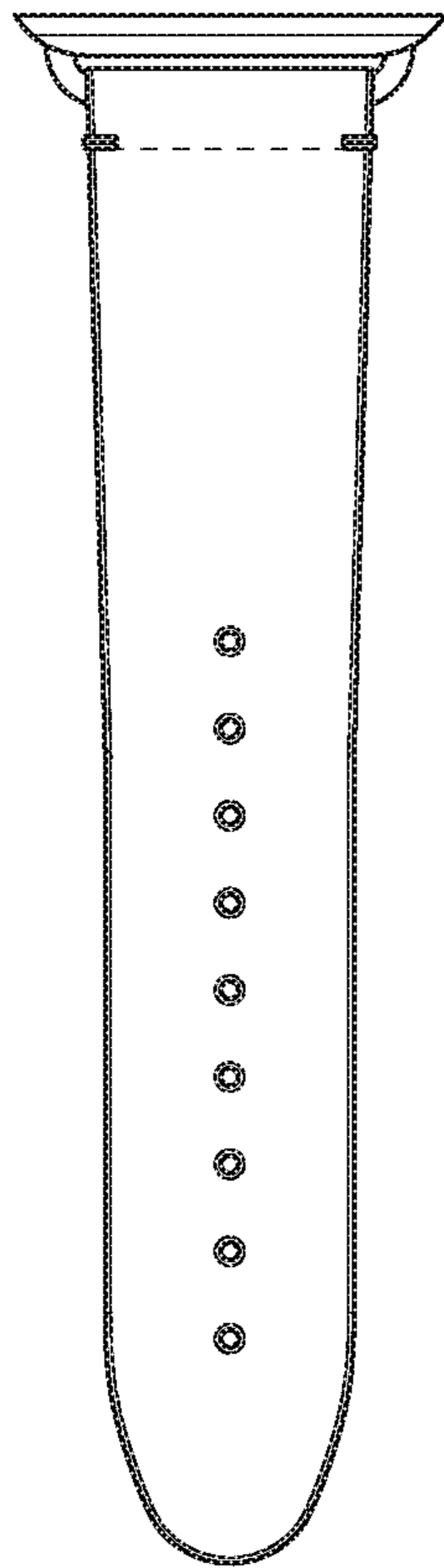
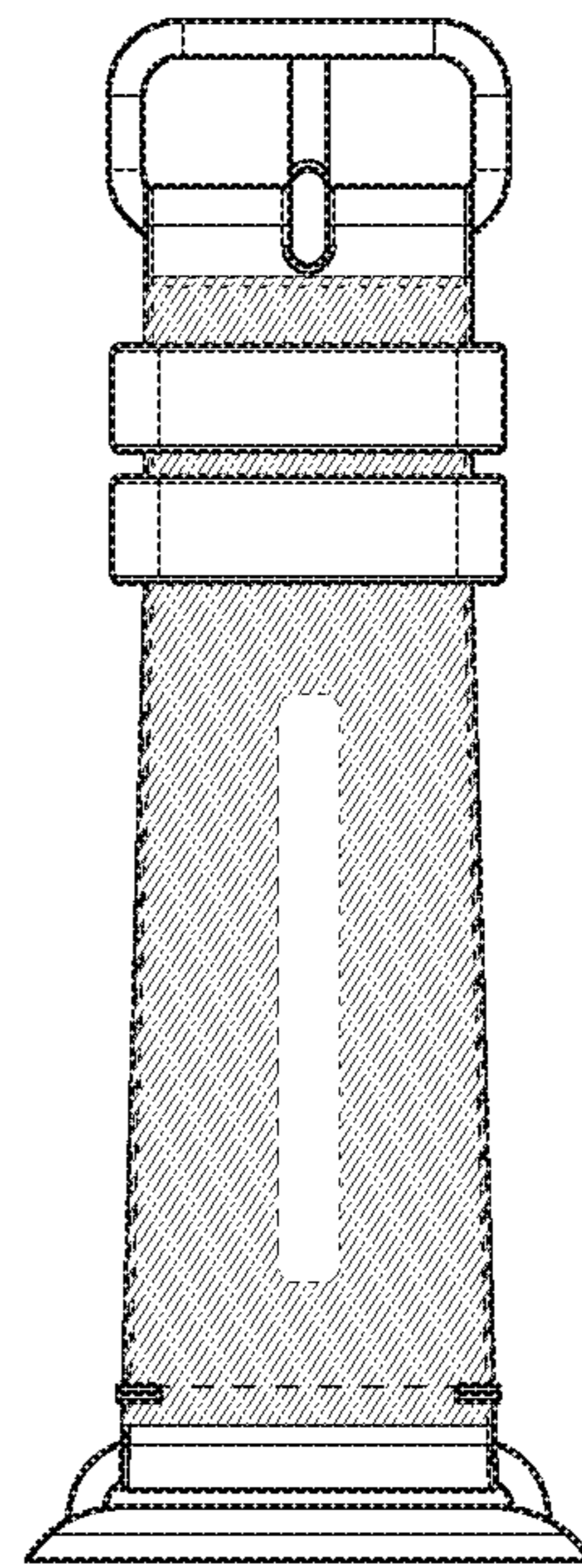
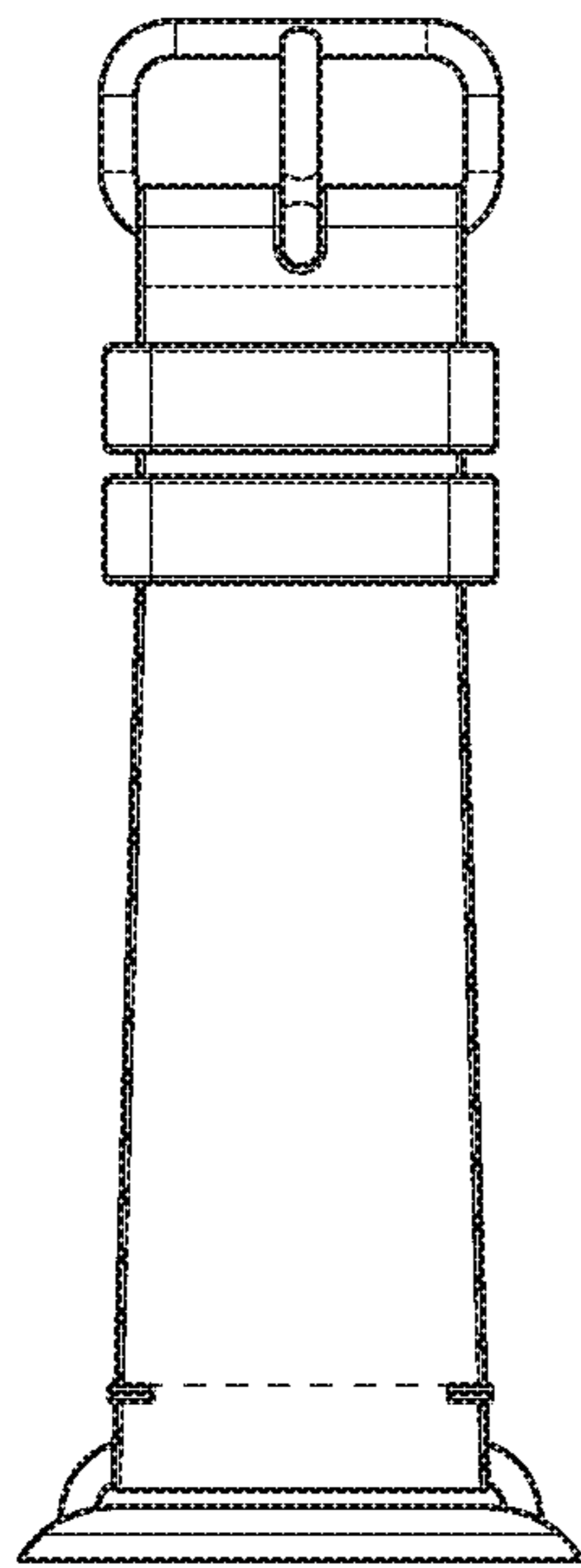


FIG. 8

FIG. 9



FIG. 10



FIG. 11

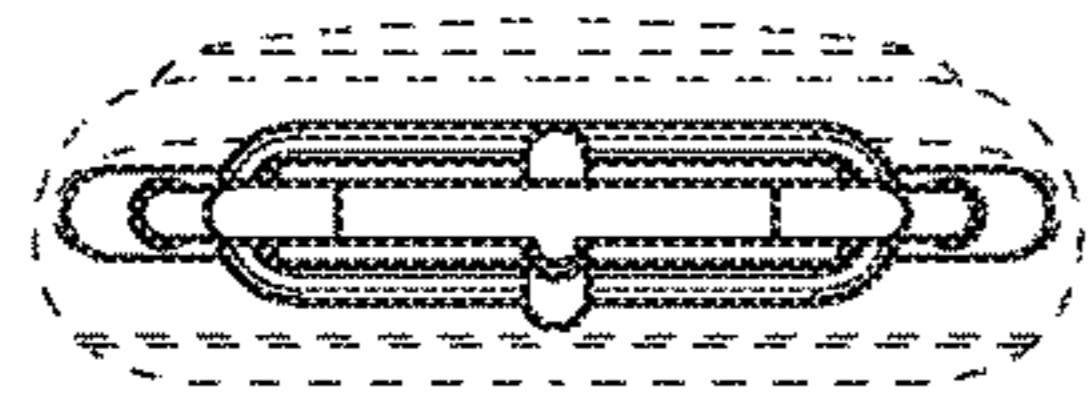


FIG. 12

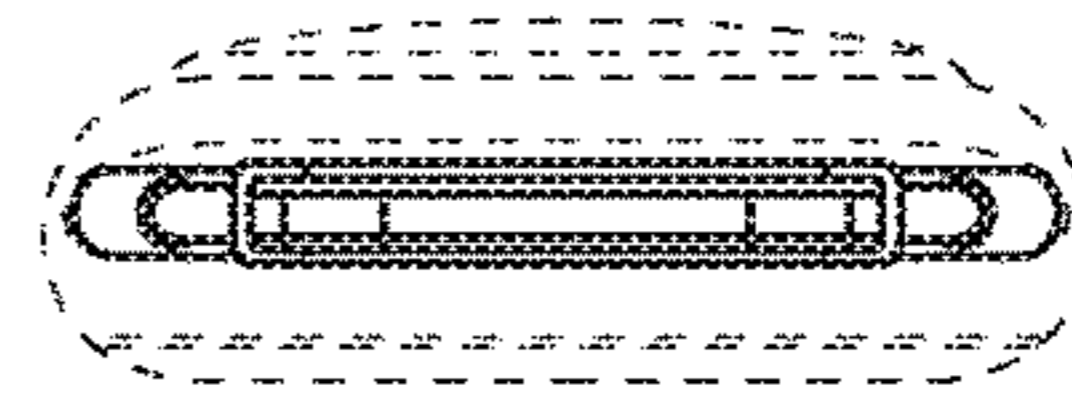


FIG. 13

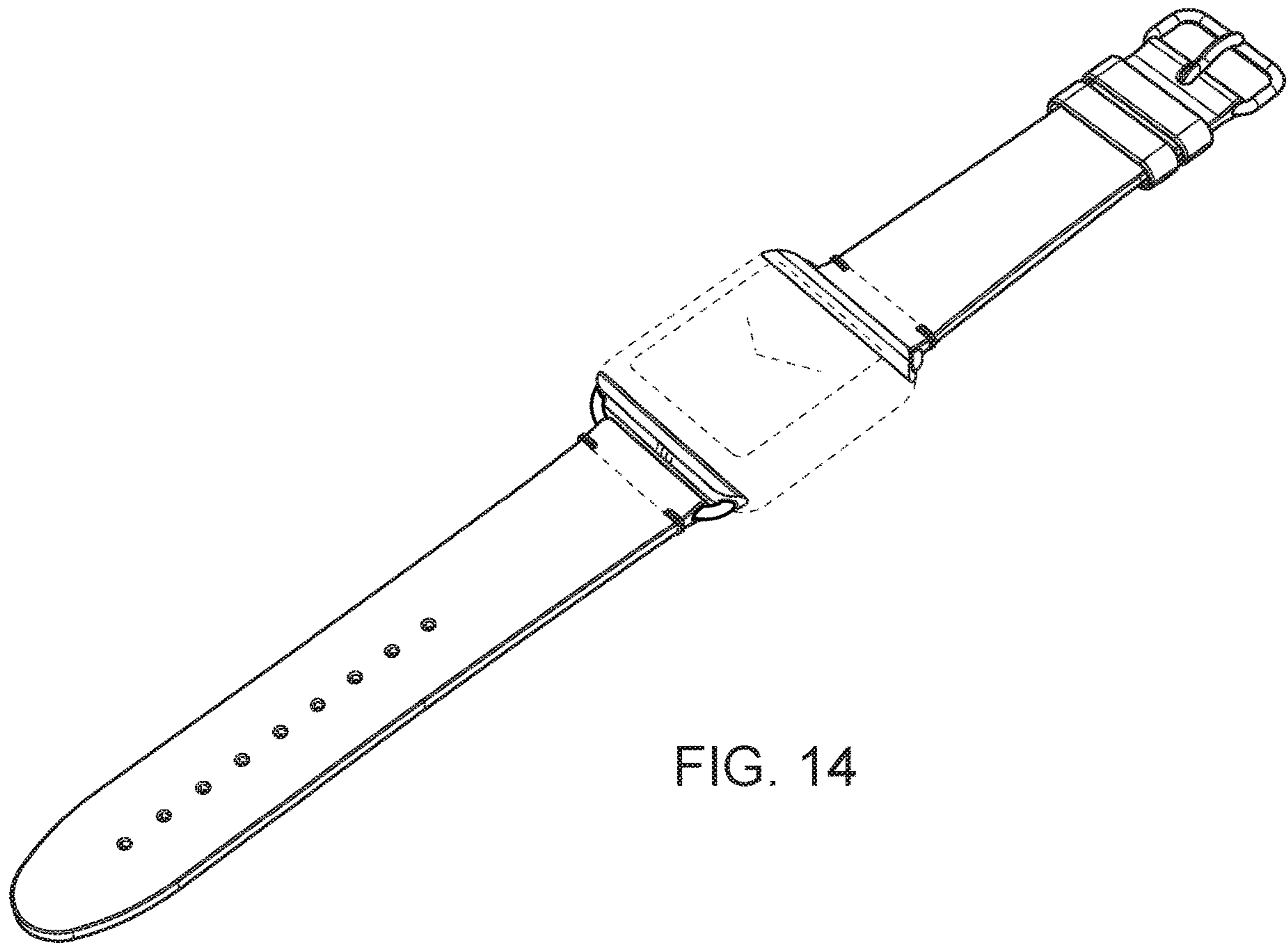


FIG. 14