



US00D898601S

(12) **United States Design Patent** (10) **Patent No.:** **US D898,601 S**
Cui (45) **Date of Patent:** **** Oct. 13, 2020**

(54) **DOORBELL SET**

(71) Applicant: **Ningbo Fiercer Leopard Electrical Appliance Co., Ltd.**, Ningbo, Zhejiang (CN)

(72) Inventor: **Jianqing Cui**, Zhejiang (CN)

(73) Assignee: **Ningbo Fiercer Leopard Electrical Appliance Co., Ltd.**, Ningbo (CN)

(**) Term: **15 Years**

(21) Appl. No.: **29/707,595**

(22) Filed: **Sep. 30, 2019**

(51) **LOC (12) Cl.** **10-05**

(52) **U.S. Cl.**
USPC **D10/118.2**

(58) **Field of Classification Search**
USPC D10/104.1, 108, 116.1, 118, 118.2, D10/121-126; D16/202, 203, 208, 209, D16/215
CPC ... G08B 3/00; G08B 3/10; G08B 7/00; G08B 7/06; G08B 13/1436; G08B 13/1463; G08B 13/1481
See application file for complete search history.

(56) **References Cited**

U.S. PATENT DOCUMENTS

D609,727 S	*	2/2010	Adolfsson	D16/200
D778,755 S	*	2/2017	Yang	D10/118.2
D816,528 S	*	5/2018	Wen	D10/118.2
D822,518 S	*	7/2018	Siminoff	D10/118.2
D822,519 S	*	7/2018	Siminoff	D10/118.2
D822,520 S	*	7/2018	Siminoff	D10/118.2
D824,370 S	*	7/2018	Nicolas	D14/221
D829,585 S	*	10/2018	Siminoff	D10/118.2

D830,871 S	*	10/2018	Siminoff	D10/118.2
D833,313 S	*	11/2018	Siminoff	D10/118.2
D853,265 S	*	7/2019	Grearson	D10/118.2
D854,958 S	*	7/2019	Siminoff	D10/118.2
D858,338 S	*	9/2019	Yu	D10/118.2
D860,029 S	*	9/2019	Yang	D10/118.2
D866,379 S	*	11/2019	Siminoff	D10/118.2
D866,380 S	*	11/2019	Siminoff	D10/118.2
D882,443 S	*	4/2020	Siminoff	D10/118.2
D889,300 S	*	7/2020	Siminoff	D10/118.2
D889,301 S	*	7/2020	Siminoff	D10/118.2

* cited by examiner

Primary Examiner — George D. Kirschbaum

Assistant Examiner — Joseph J Kukella

(57) **CLAIM**

The ornamental design for a doorbell set, as shown and described.

DESCRIPTION

FIG. 1 is a top, front and right side perspective view of a doorbell set, which includes an outdoor component and an indoor component, showing my new design;

FIG. 2 is a bottom, rear and left side perspective view thereof;

FIG. 3 is a front elevational view thereof;

FIG. 4 is a rear elevational view thereof;

FIG. 5 is a left side view thereof;

FIG. 6 is a right side view thereof;

FIG. 7 is a top plan view thereof;

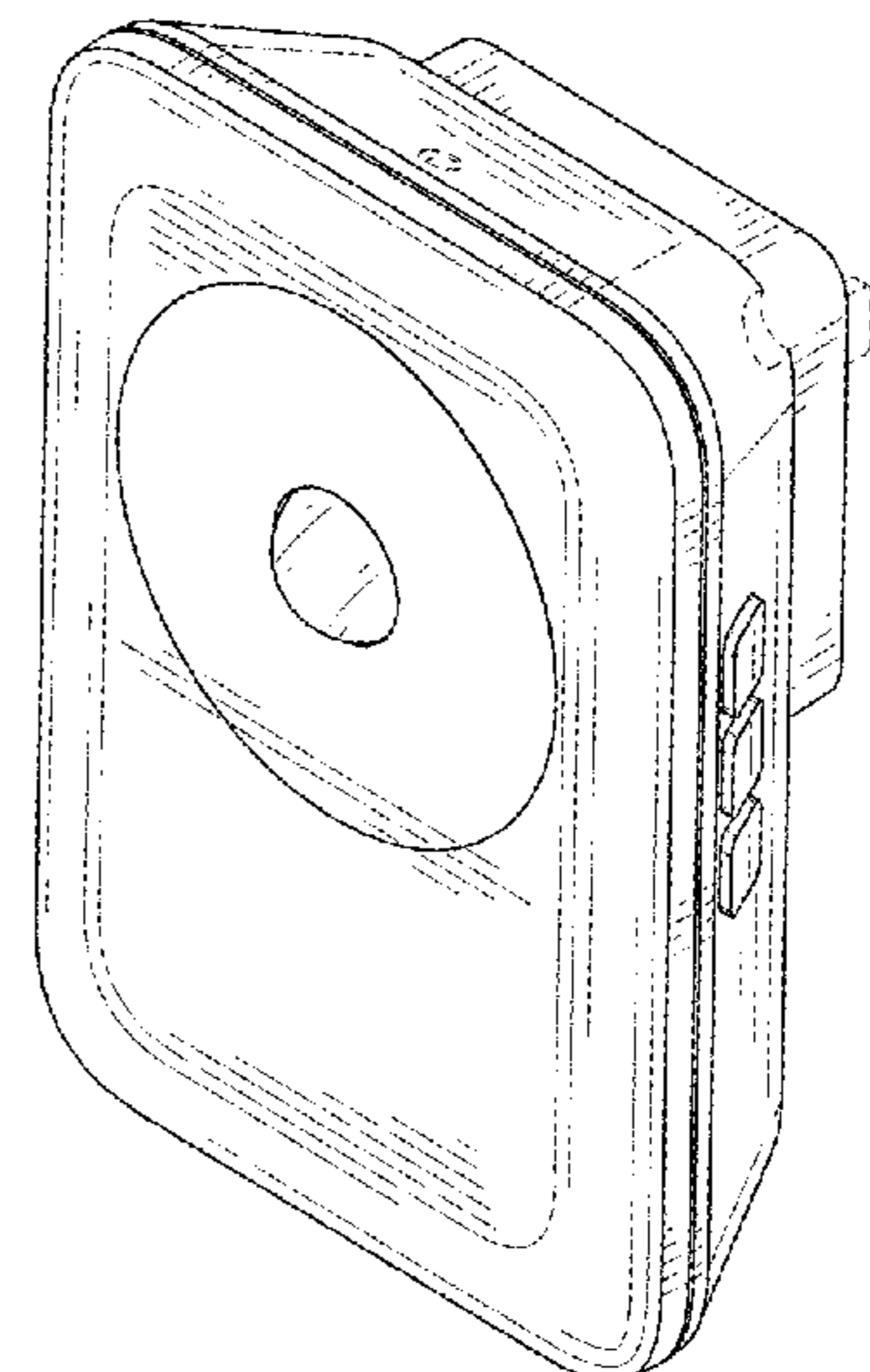
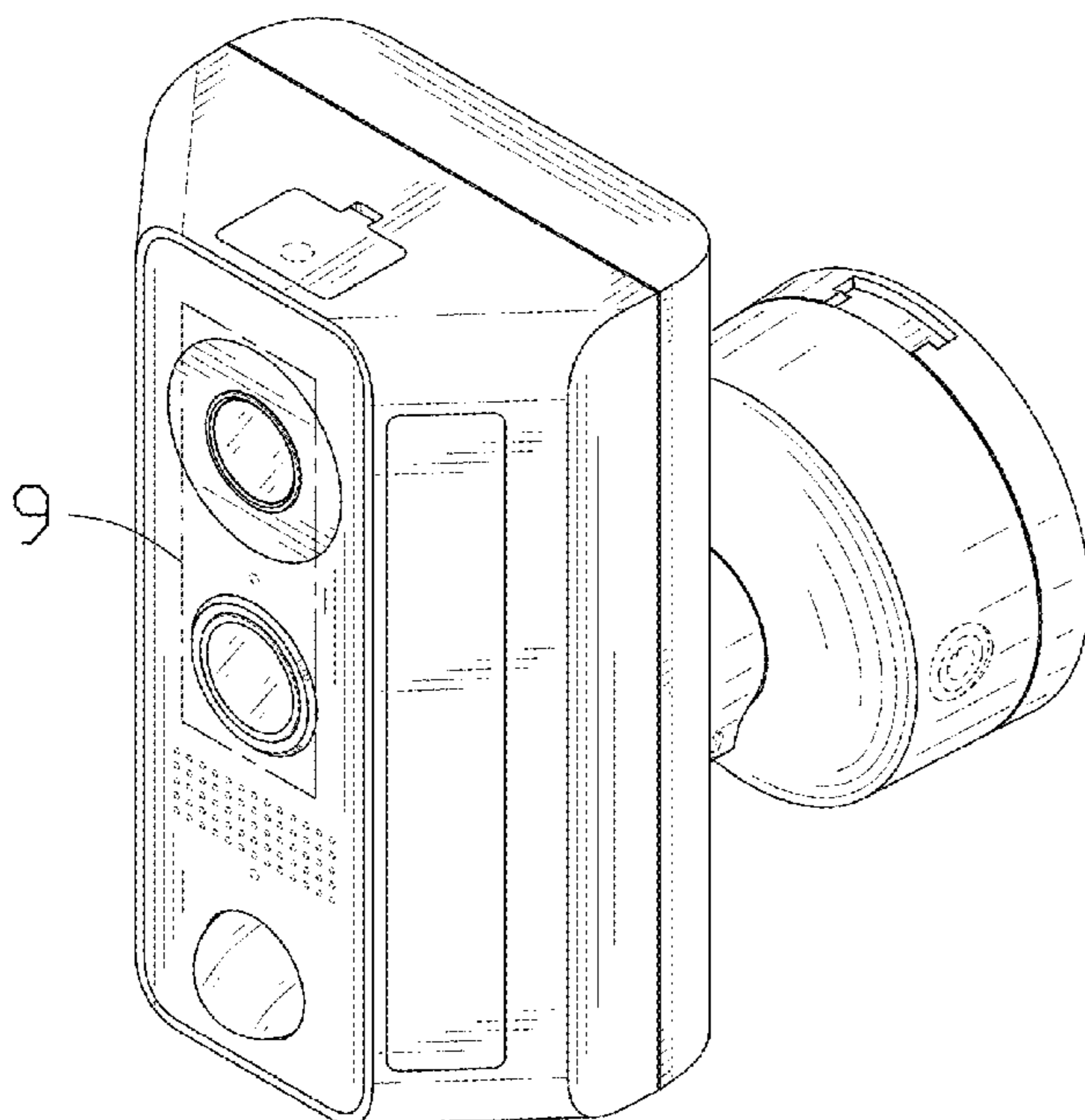
FIG. 8 is a bottom plan view thereof; and,

FIG. 9 is an enlarged view of portion 9 in FIG. 1.

The broken lines in the drawings illustrate portions of the doorbell set which form no part of the claimed design.

The oblique lines in the drawings represent reflective surfaces.

1 Claim, 9 Drawing Sheets



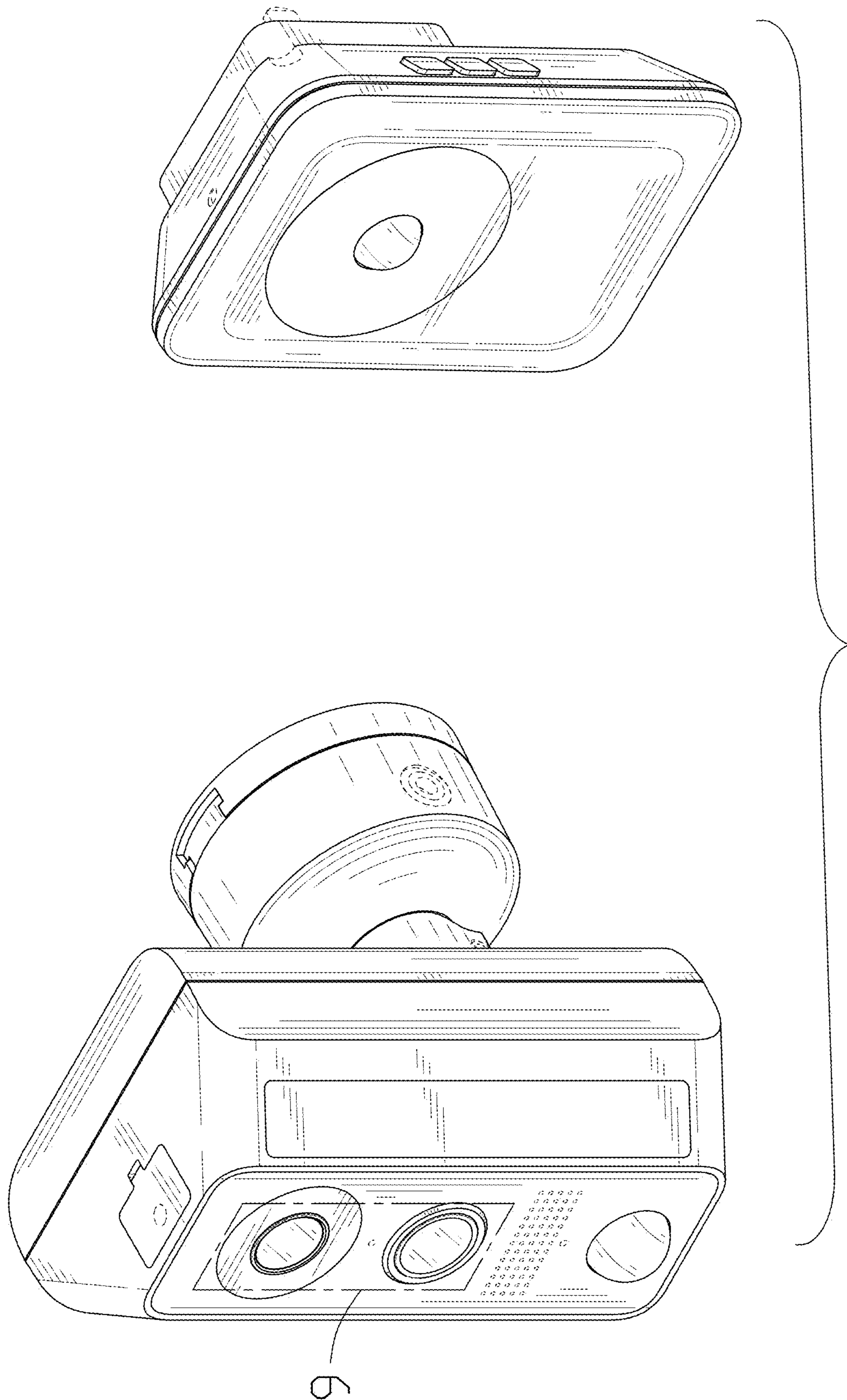


FIG. 1

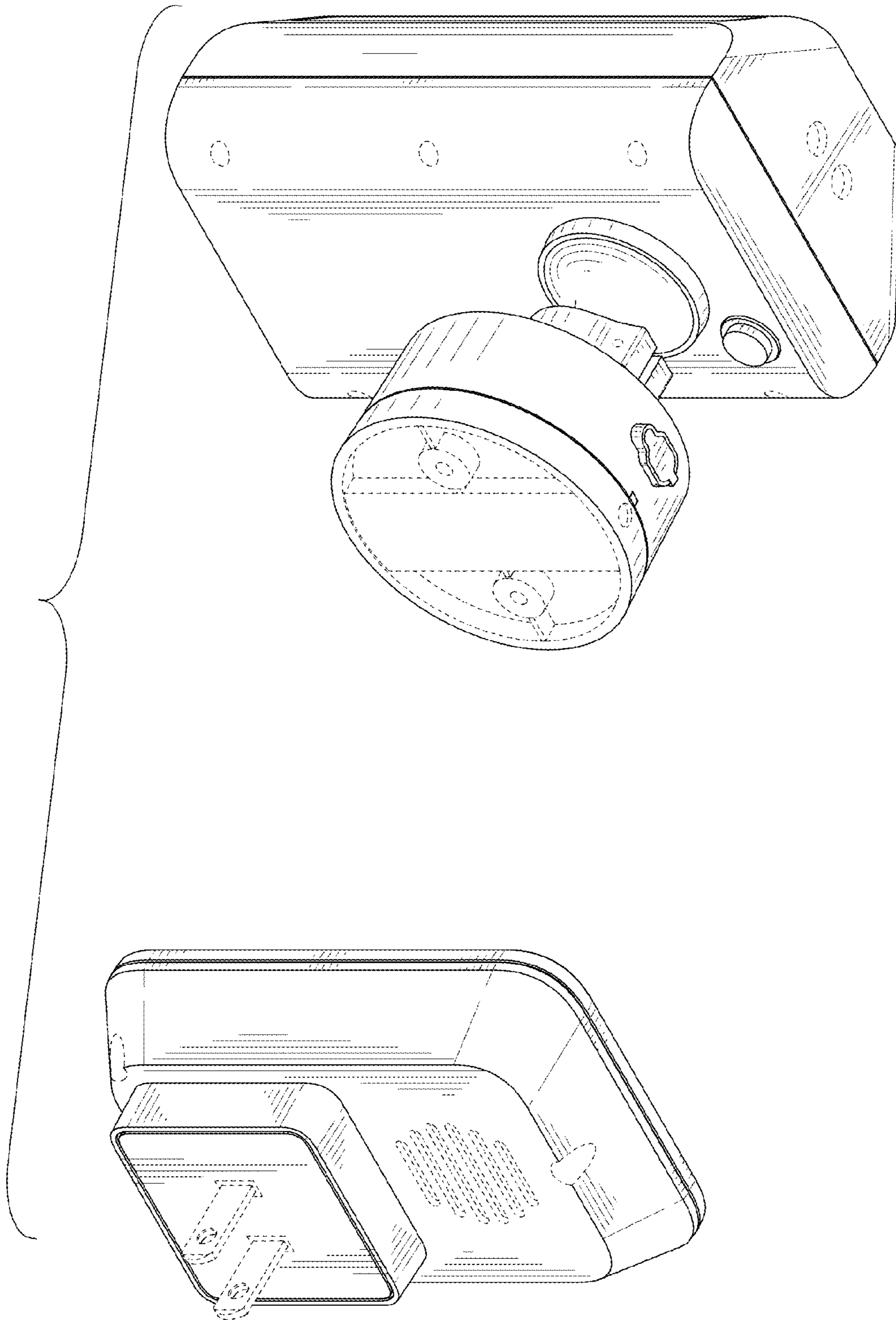


FIG. 2

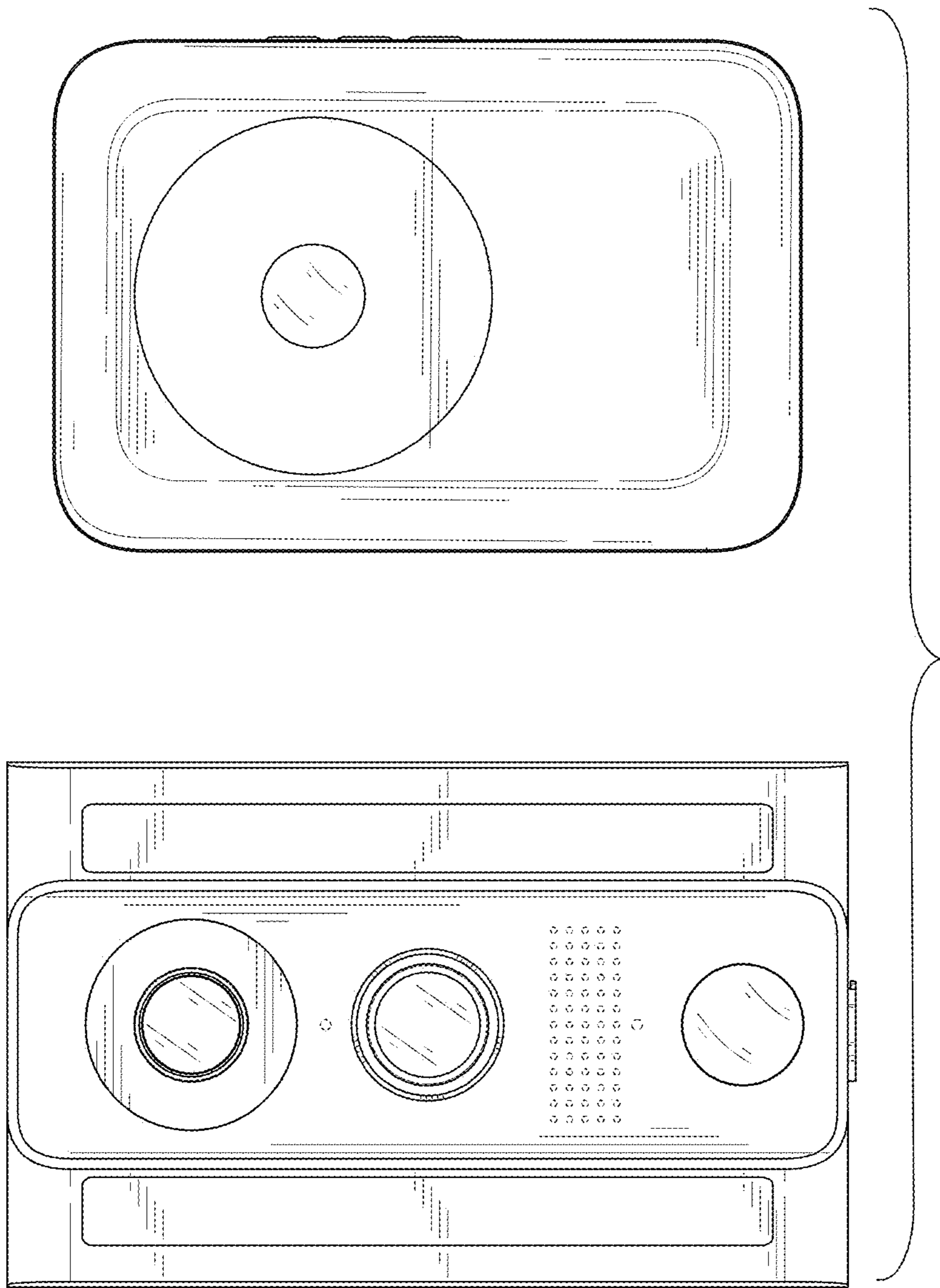


FIG. 3

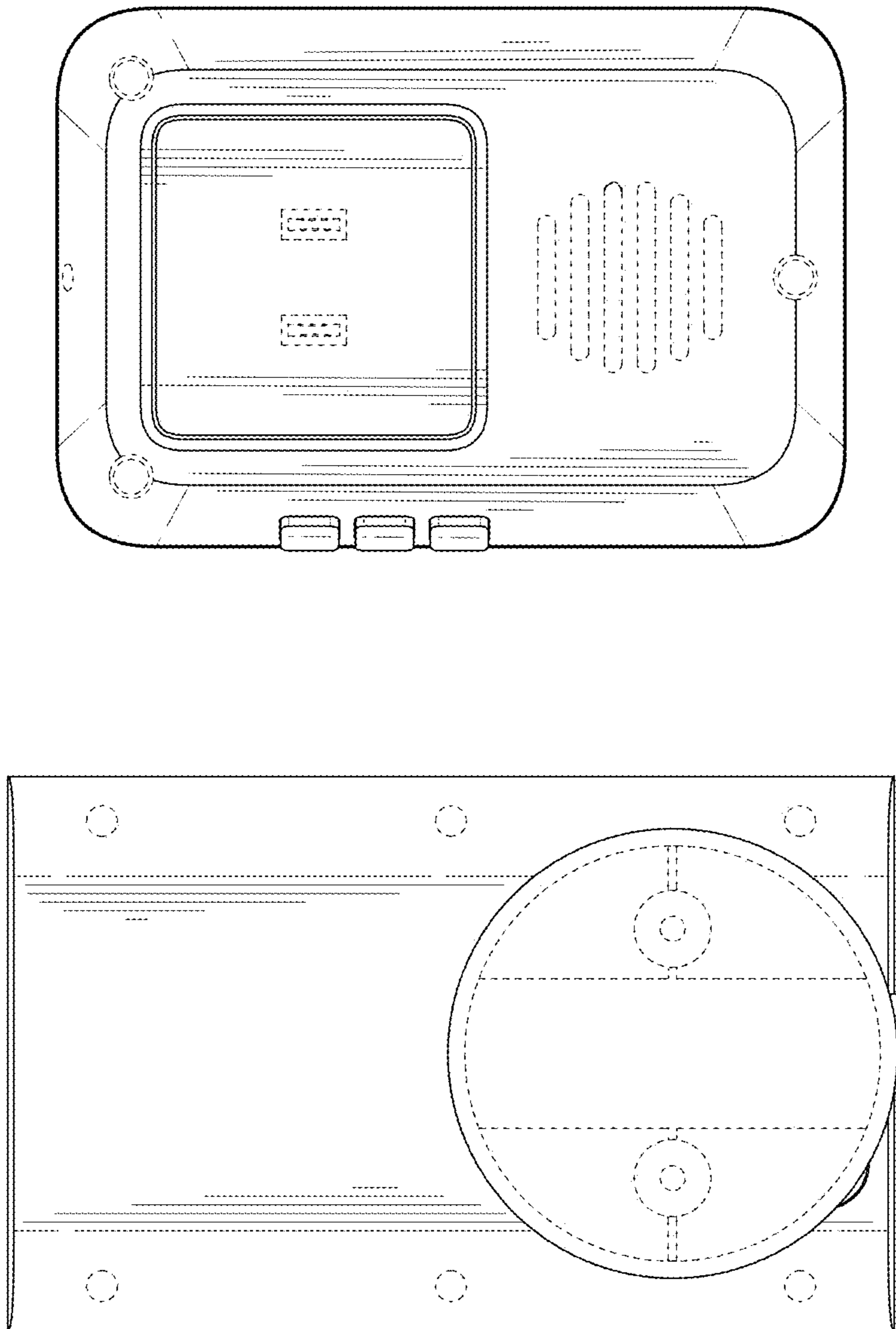


FIG. 4

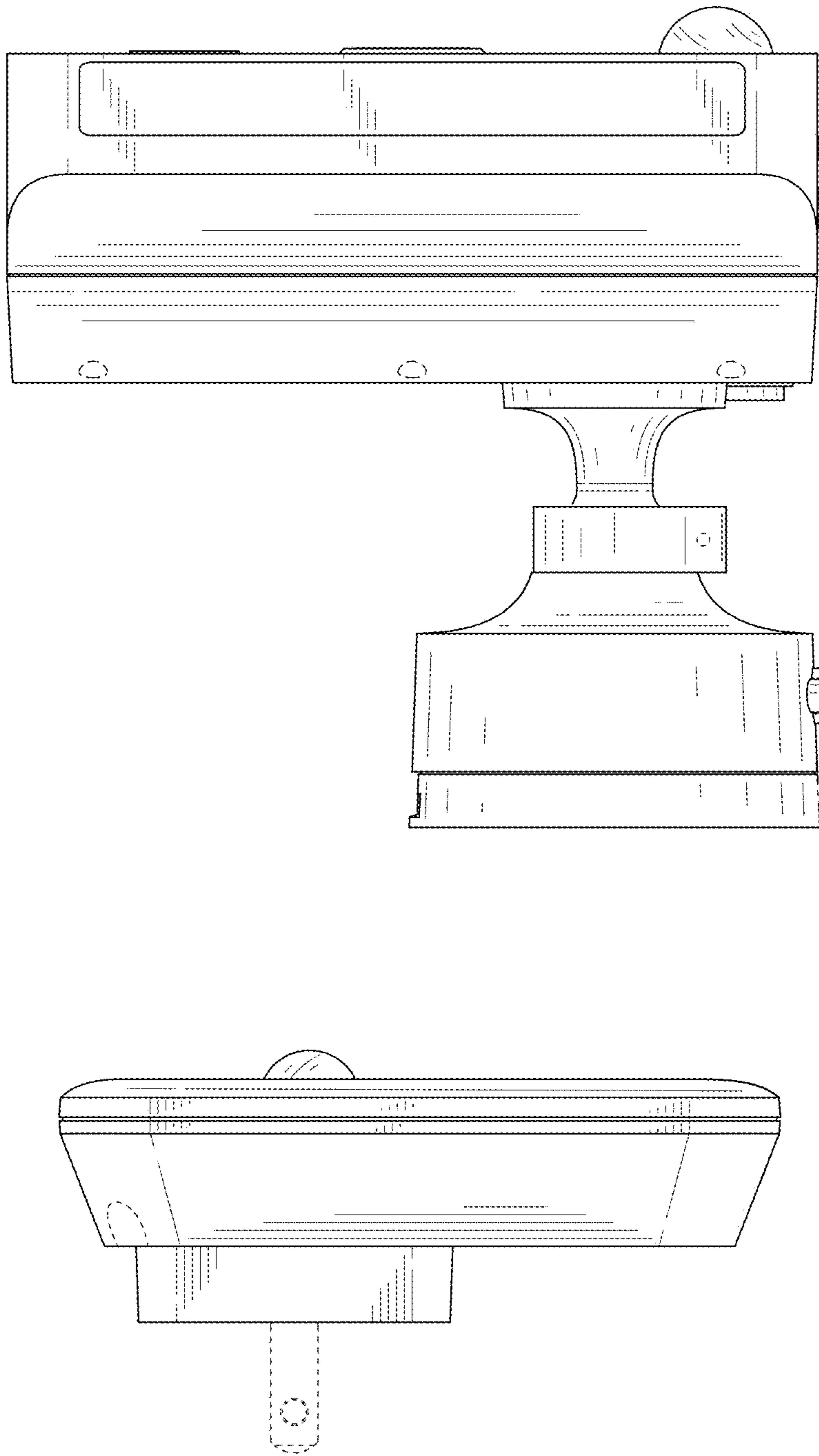


FIG. 5

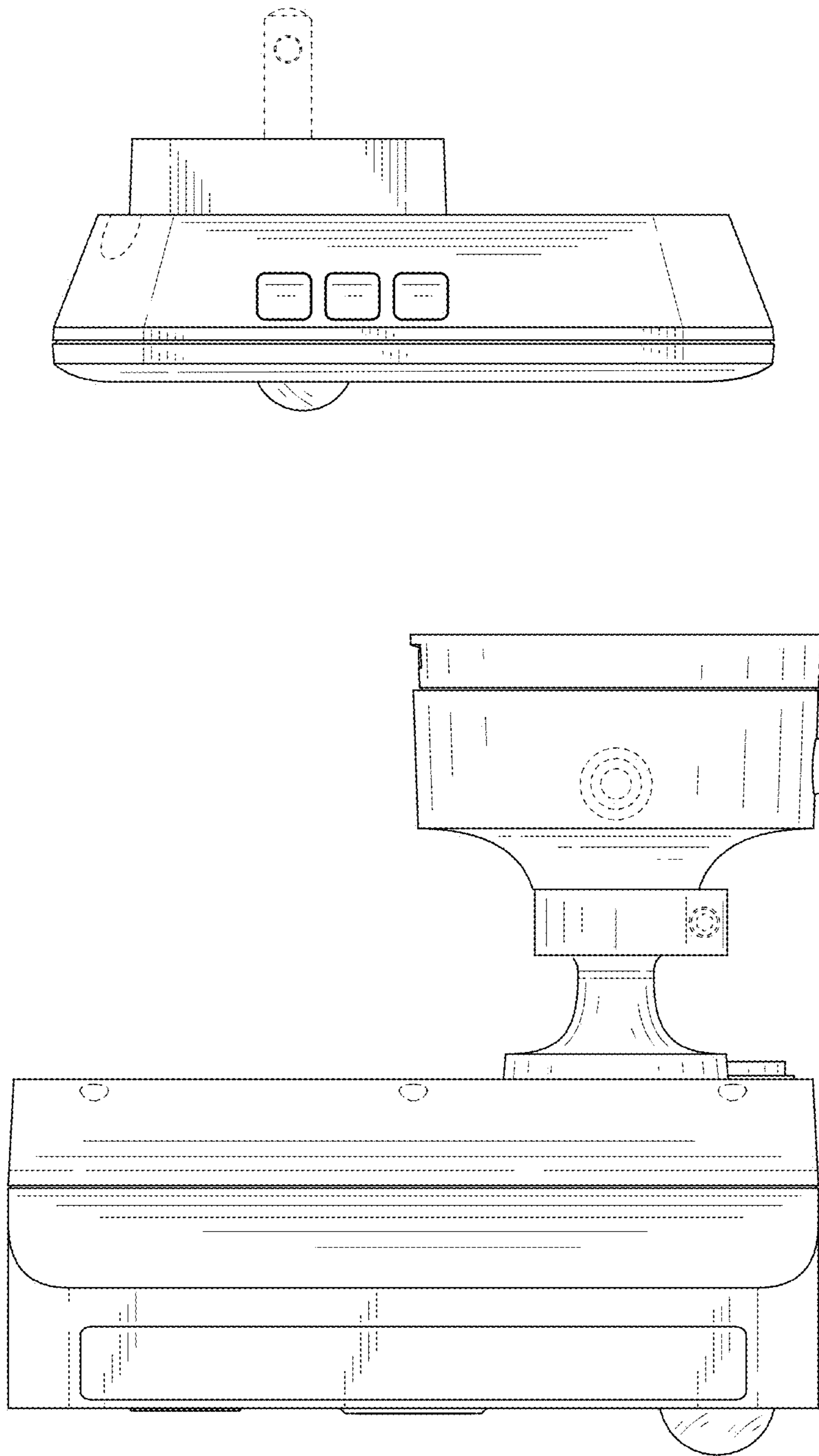


FIG. 6

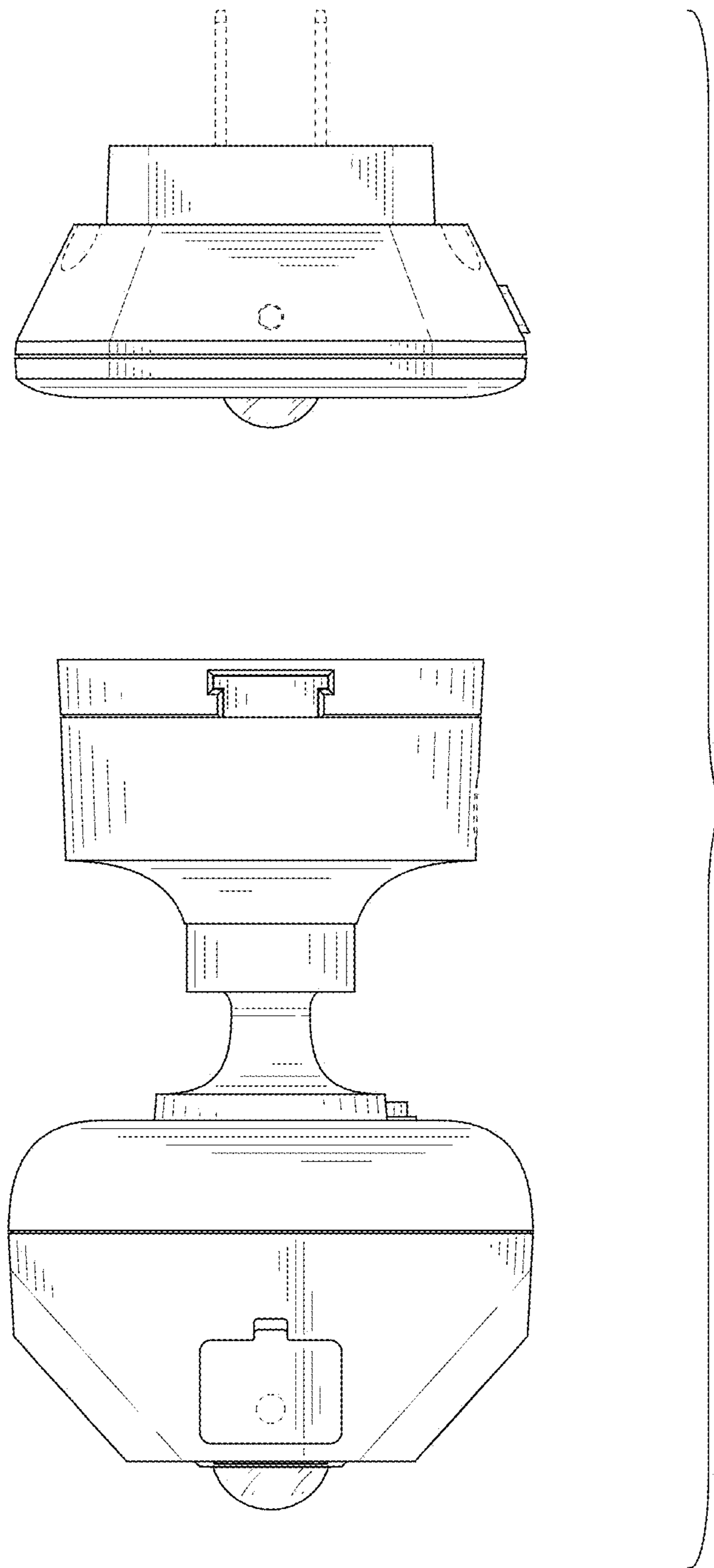


FIG. 7

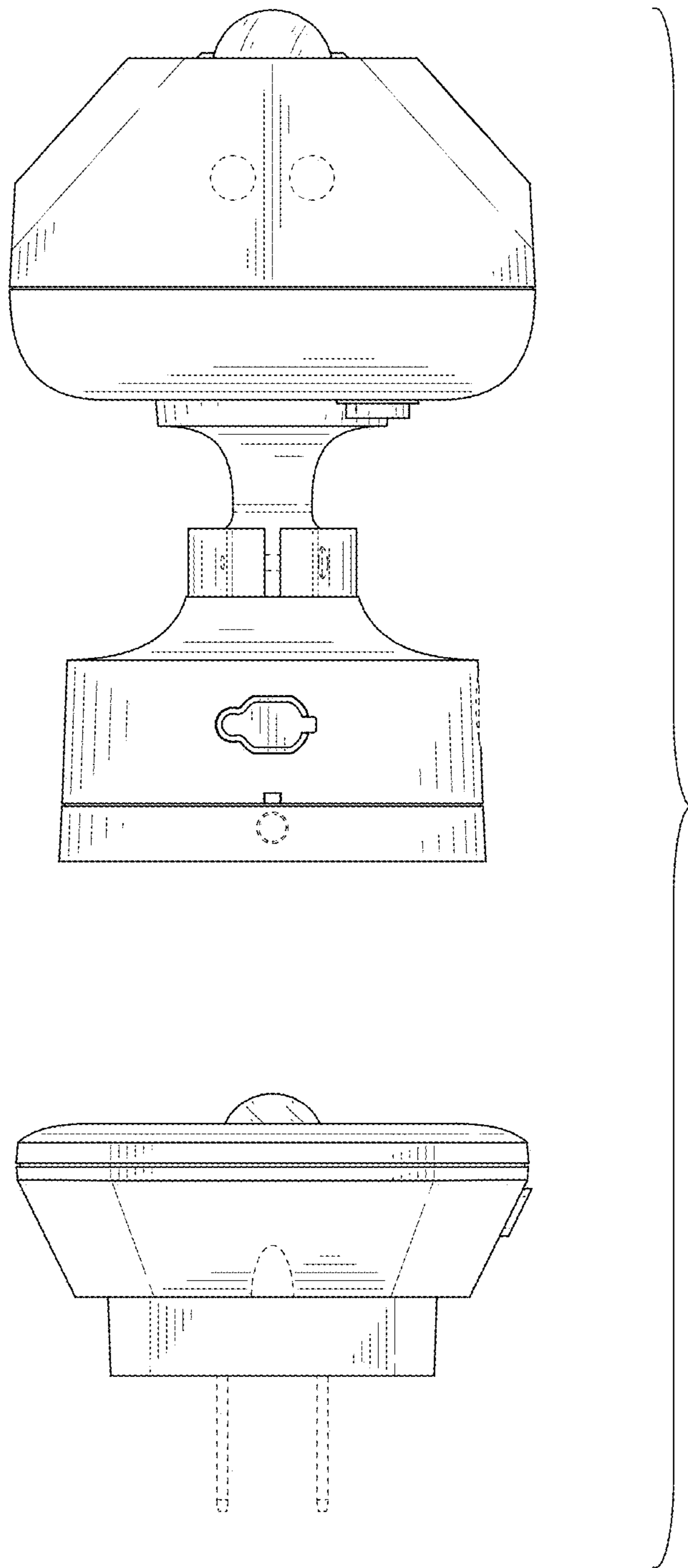


FIG. 8

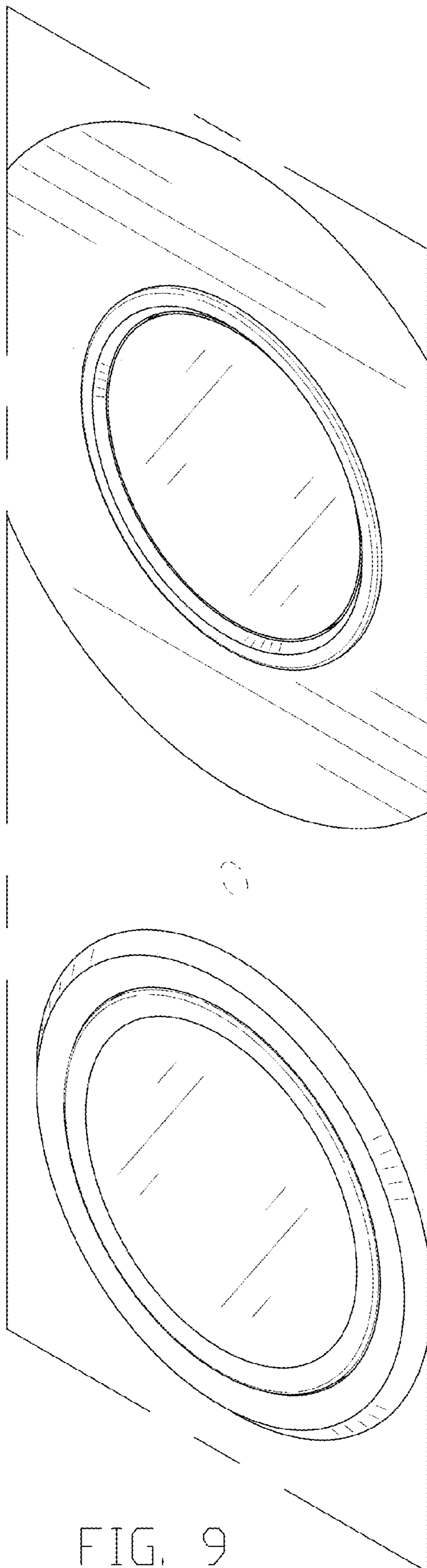


FIG. 9