



US00D898599S

(12) **United States Design Patent**  
**Chen**

(10) **Patent No.:** **US D898,599 S**

(45) **Date of Patent:** **\*\* Oct. 13, 2020**

(54) **DEVICE FOR RECEIVING AND TRANSMITTING INFORMATION DATA AND SENDING OUT LIGHT AND SOUND FOR WARNINGS**

D575,183 S \* 8/2008 Seitz ..... D10/111  
D791,630 S \* 7/2017 Miyatake ..... D10/114.1  
D808,839 S \* 1/2018 Moeller ..... D10/114.1  
D876,267 S \* 2/2020 Kuwano ..... D10/114.1

\* cited by examiner

(71) Applicant: **Wei-Yu Chen**, New Taipei (TW)

*Primary Examiner* — George D. Kirschbaum

(72) Inventor: **Wei-Yu Chen**, New Taipei (TW)

(74) *Attorney, Agent, or Firm* — Leong C. Lei

(\*\*) Term: **15 Years**

(57) **CLAIM**

(21) Appl. No.: **29/669,773**

The ornamental design for a device for receiving and transmitting information data and sending out light and sound for warnings, as shown and described.

(22) Filed: **Nov. 12, 2018**

**DESCRIPTION**

(51) **LOC (12) Cl.** ..... **10-05**

(52) **U.S. Cl.**  
USPC ..... **D10/109.2**

(58) **Field of Classification Search**  
USPC ..... D10/109.2, 109.1, 114.1, 114.2  
See application file for complete search history.

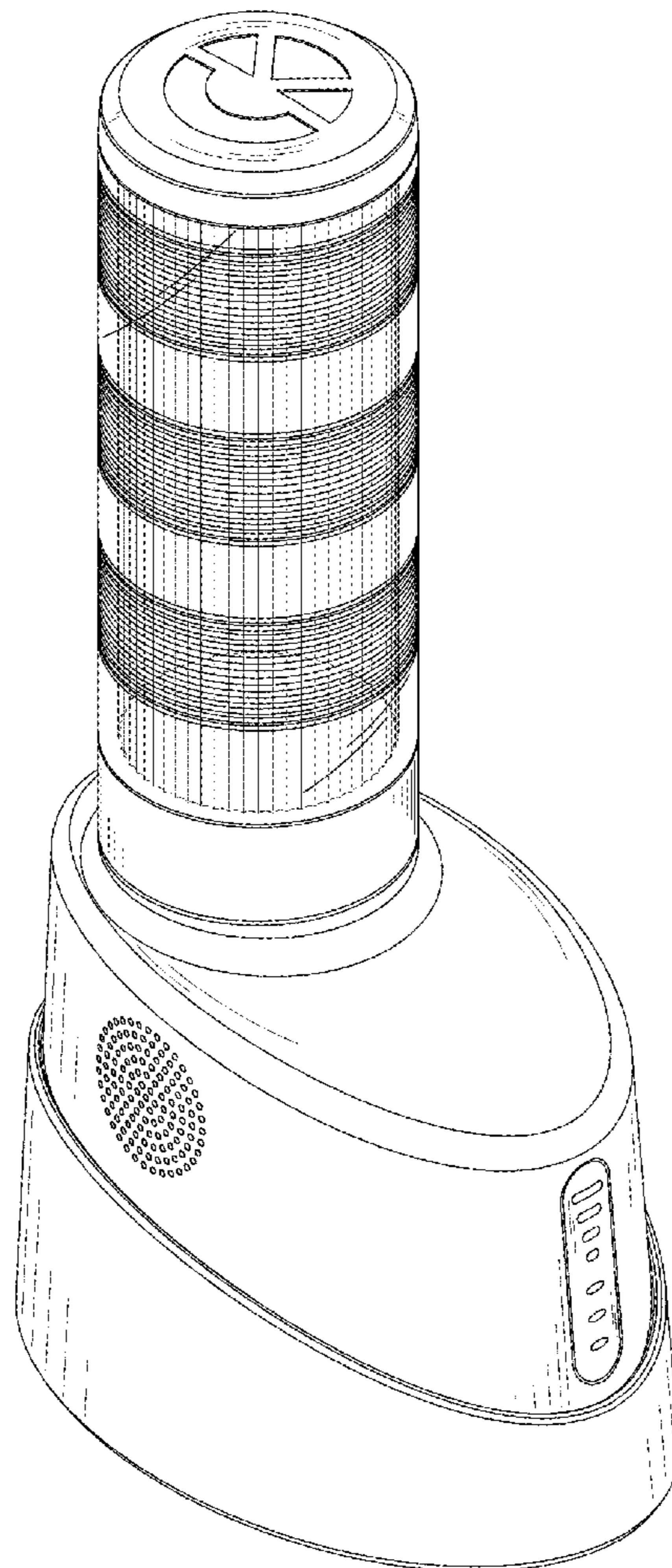
FIG. 1 is a front perspective view of a device for receiving and transmitting information data and sending out light and sound for warnings showing my new design;  
FIG. 2 is a front elevational view thereof;  
FIG. 3 is a rear elevational view thereof;  
FIG. 4 is a left elevational view thereof;  
FIG. 5 is a right elevational view thereof;  
FIG. 6 is a top plan view thereof; and,  
FIG. 7 is a bottom plan view thereof.

(56) **References Cited**

**U.S. PATENT DOCUMENTS**

D363,250 S \* 10/1995 Miyatake ..... D10/114.1  
D411,124 S \* 6/1999 Karlin ..... D10/114.1

**1 Claim, 7 Drawing Sheets**



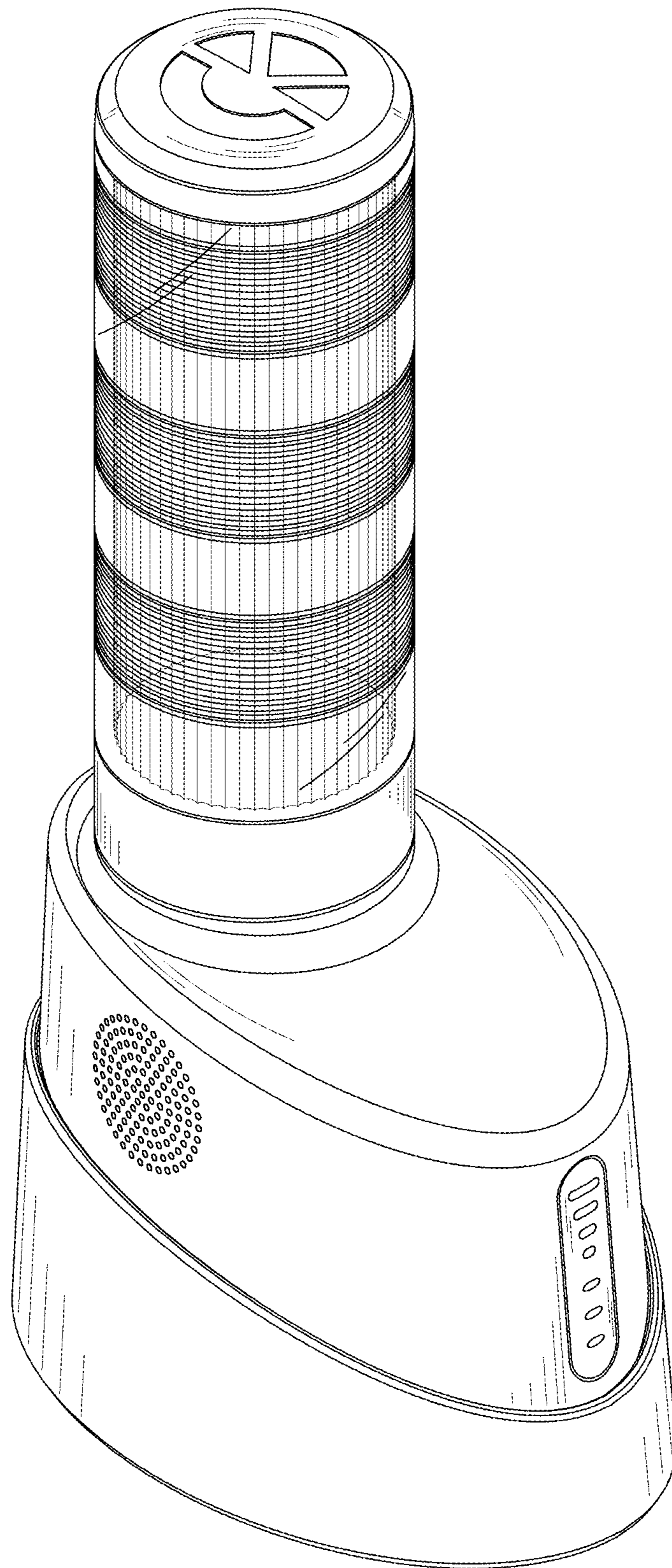


FIG. 1

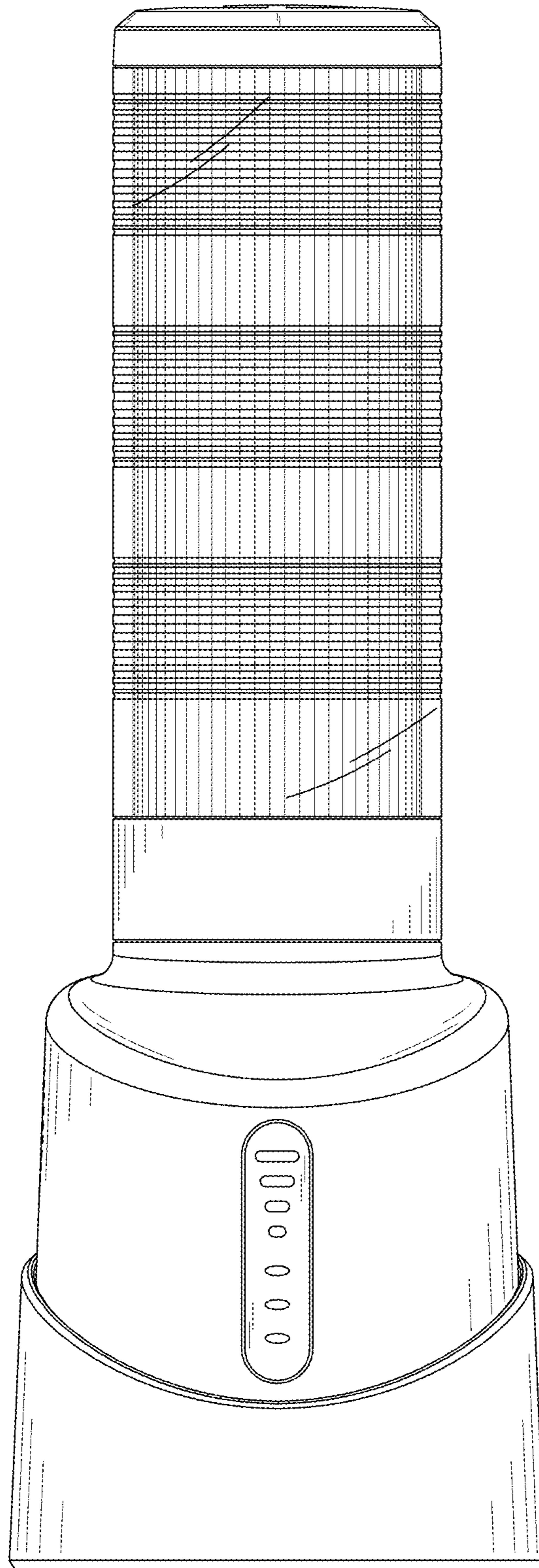


FIG. 2

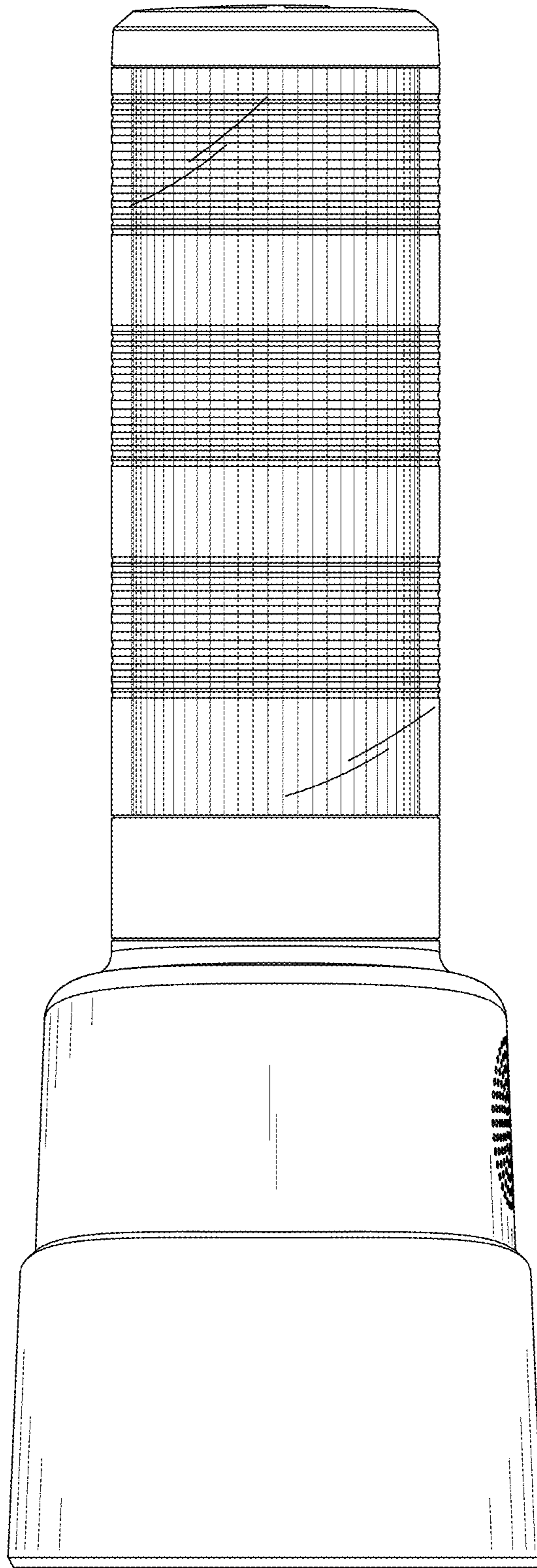


FIG. 3

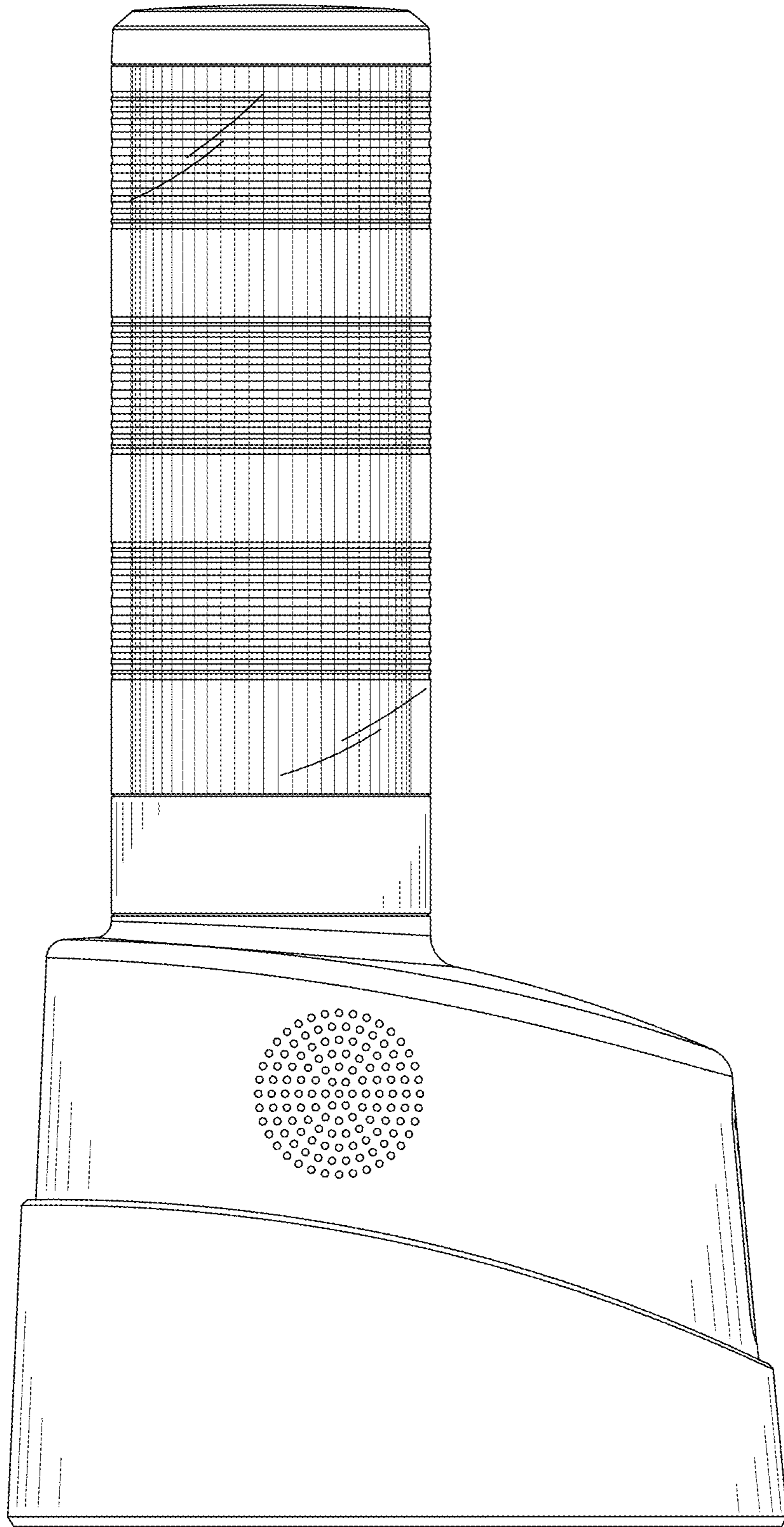


FIG. 4

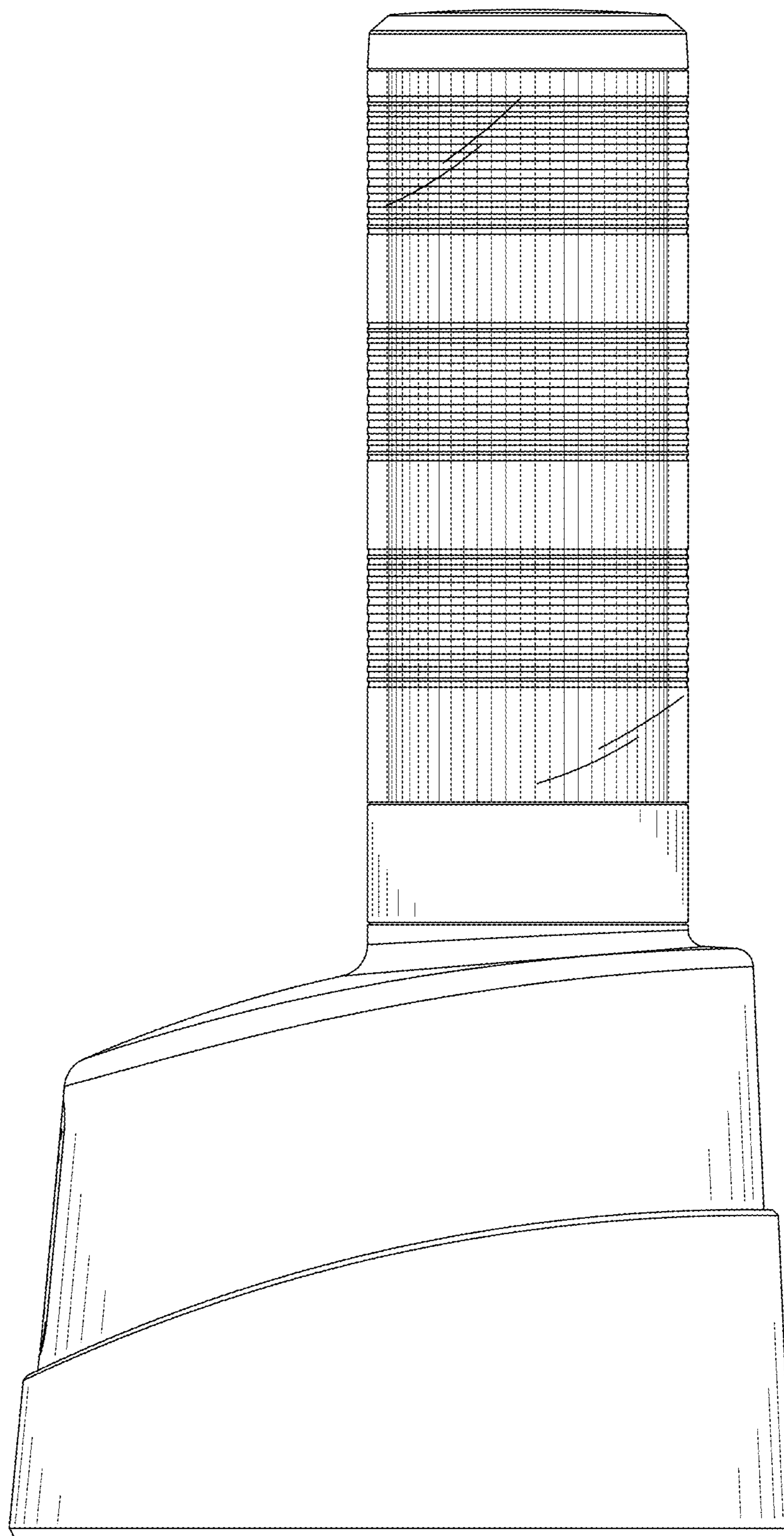


FIG. 5

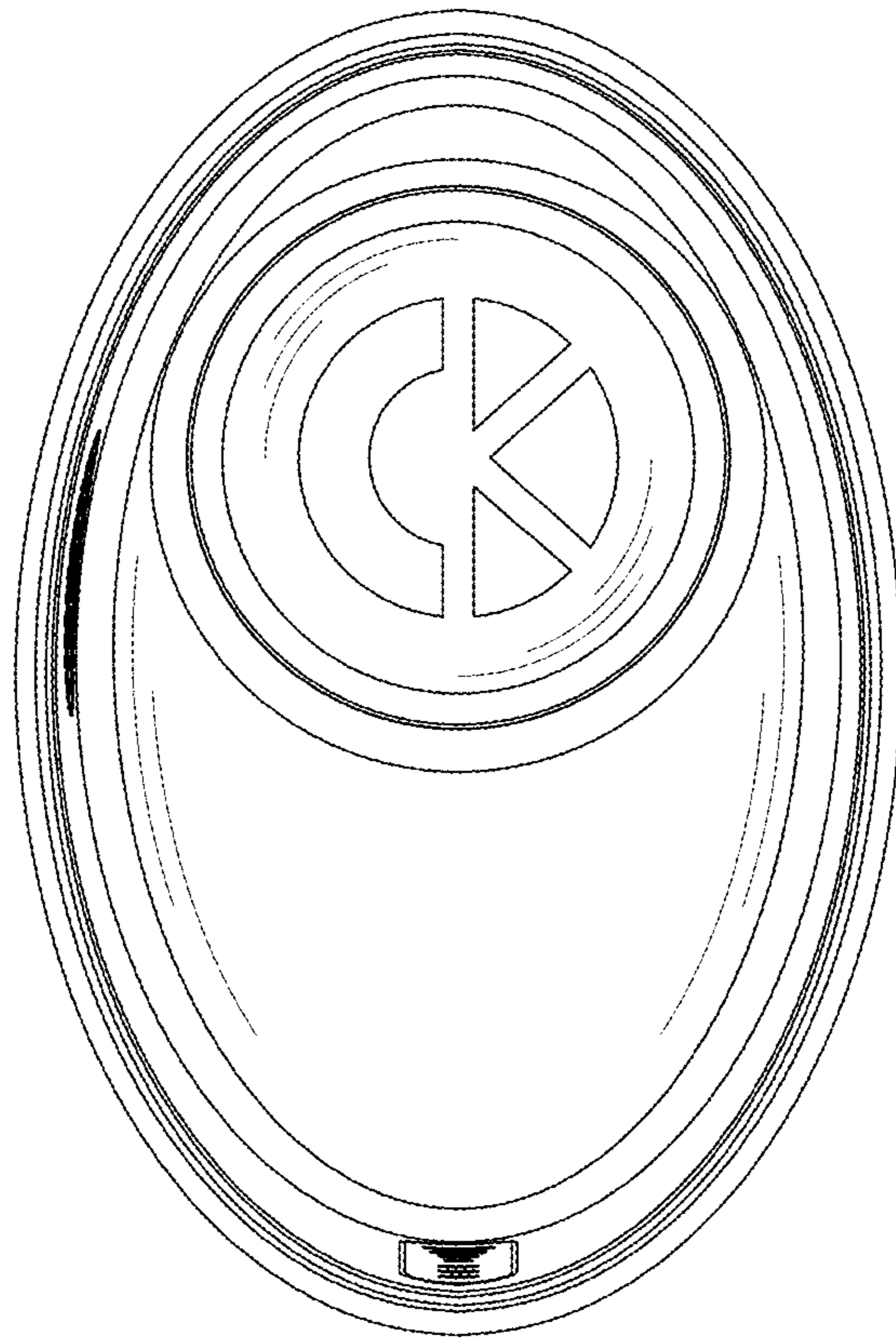


FIG. 6

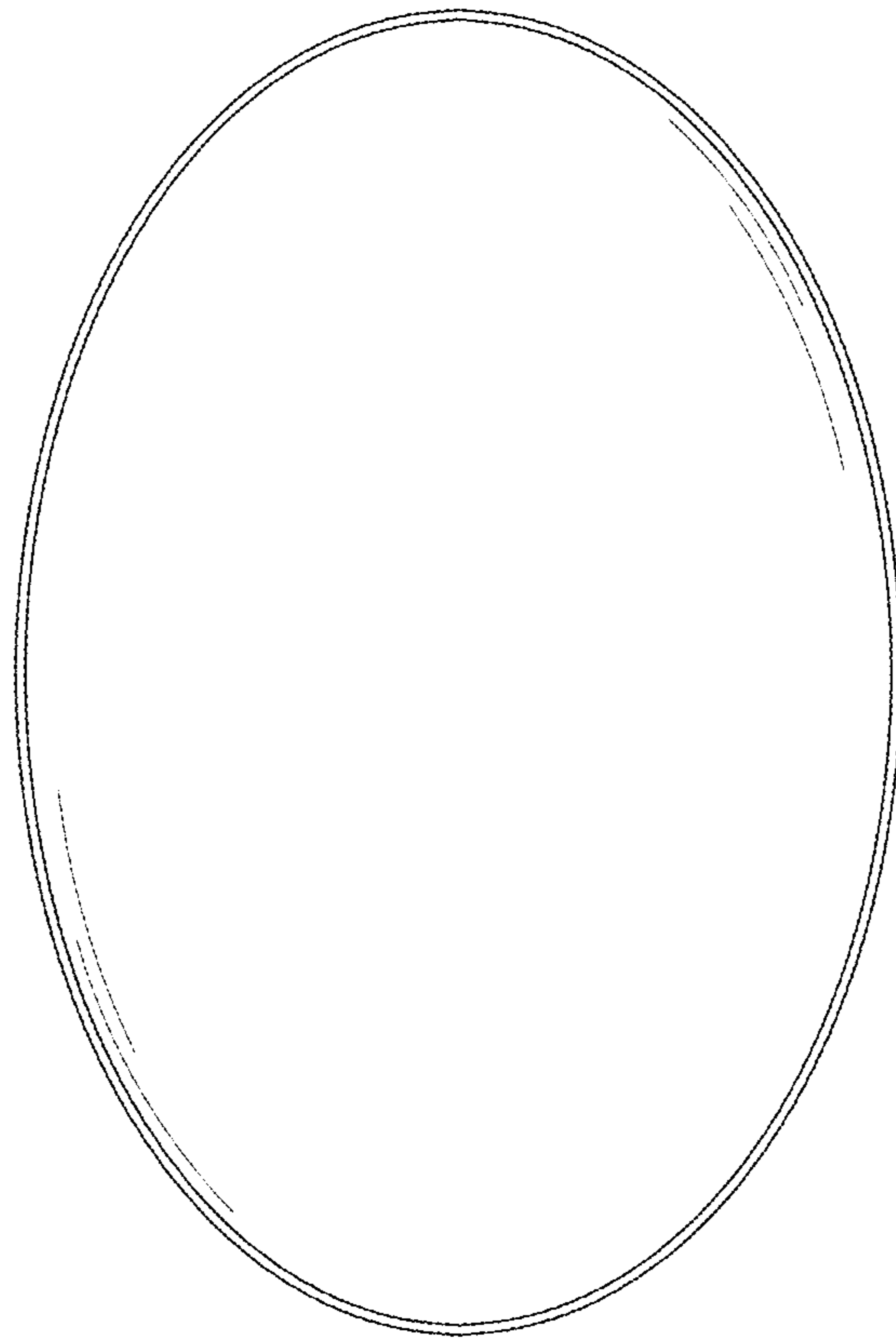


FIG. 7