



US00D898598S

(12) **United States Design Patent**
Roth et al.

(10) **Patent No.:** **US D898,598 S**
(45) **Date of Patent:** **** Oct. 13, 2020**

(54) **WATER PROOF WATER SENSOR**
(71) Applicant: **Roth Technologies LLC**, San Antonio, TX (US)
(72) Inventors: **Ronald B. Roth**, San Antonio, TX (US); **Peter Brian Ayrton Yssel de Schepper**, San Antonio, TX (US)

D432,933 S * 10/2000 Einck D10/101
D561,872 S * 2/2008 Milner D23/208
D603,738 S * 11/2009 Nies D10/101
D811,254 S * 2/2018 Lee D10/101
D883,815 S * 5/2020 Billman G08B 3/10
D10/49
2020/0018665 A1* 1/2020 Ostashev G08B 3/10

(**) Term: **15 Years**

* cited by examiner
Primary Examiner — Sheryl Lane
Assistant Examiner — Calvin E Vansant
(74) *Attorney, Agent, or Firm* — Not Just Patents LLC;
Wendy S Peterson

(21) Appl. No.: **29/677,669**

(22) Filed: **Jan. 23, 2019**

(57) **CLAIM**

(51) **LOC (12) Cl.** **10-04**

The ornamental design for a water proof water sensor, as shown and described.

(52) **U.S. Cl.**

DESCRIPTION

USPC **D10/101**; D23/303; D10/52; D10/56

(58) **Field of Classification Search**

USPC D23/200, 202, 207-210; D10/101

CPC B01D 5/006; B01D 35/30; C02F 1/002;

C02F 1/003; G08B 21/20

See application file for complete search history.

FIG. 1 is a left facing isometric view of the water proof water sensor showing our new design;
FIG. 2 is left view thereof;
FIG. 3 is a right view thereof;
FIG. 4 is a back view thereof;
FIG. 5 is a front view thereof;
FIG. 6 is a top view thereof; and,
FIG. 7 is a bottom view thereof.

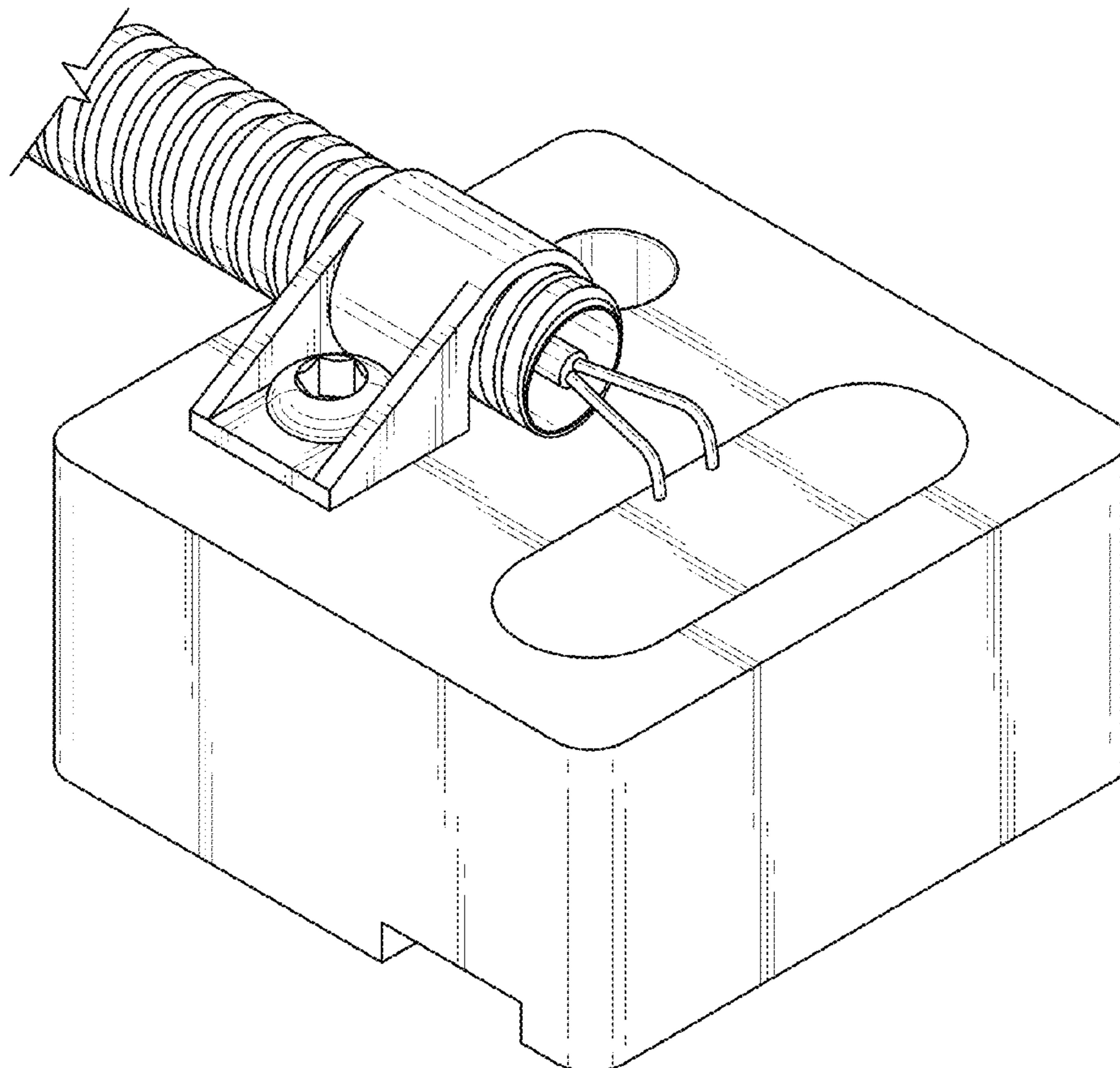
(56) **References Cited**

U.S. PATENT DOCUMENTS

D335,828 S * 5/1993 Edwards D10/101
D350,076 S * 8/1994 Frederick D10/101
5,861,811 A * 1/1999 Lease G01F 23/265
340/618

The broken lines depict portions of the water proof water sensor that form no part of the claimed design.

1 Claim, 7 Drawing Sheets



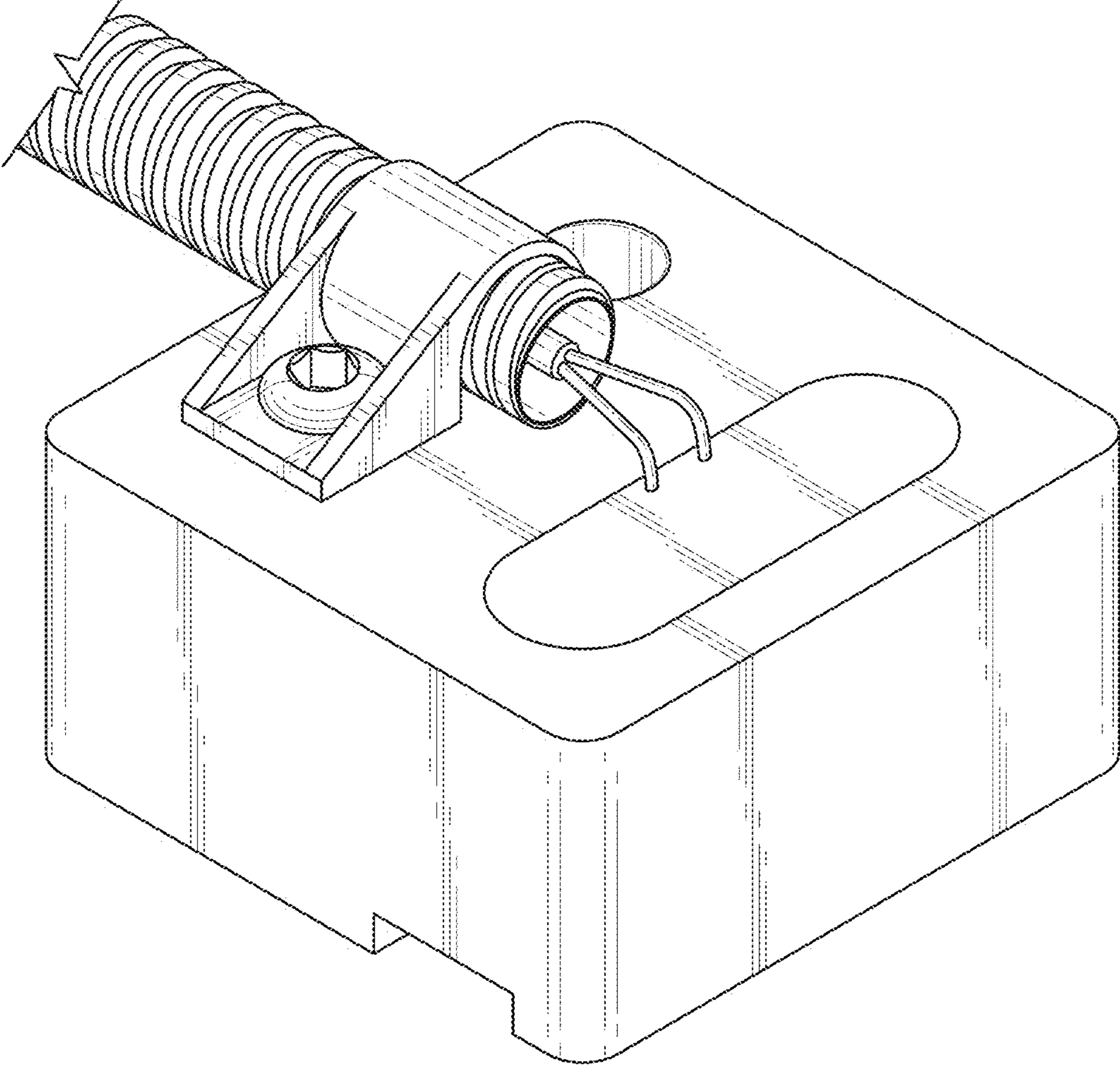


FIG. 1

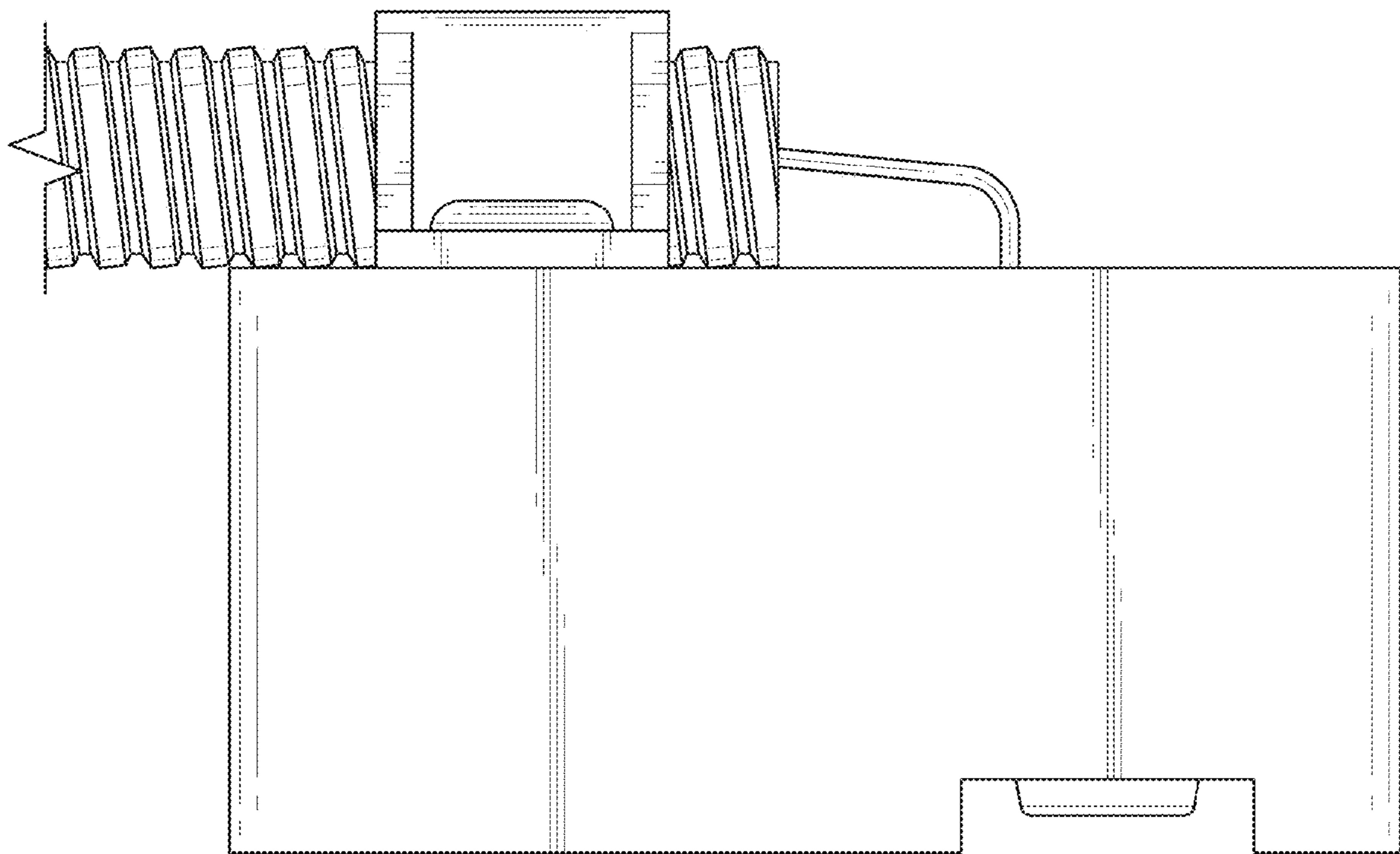


FIG. 2

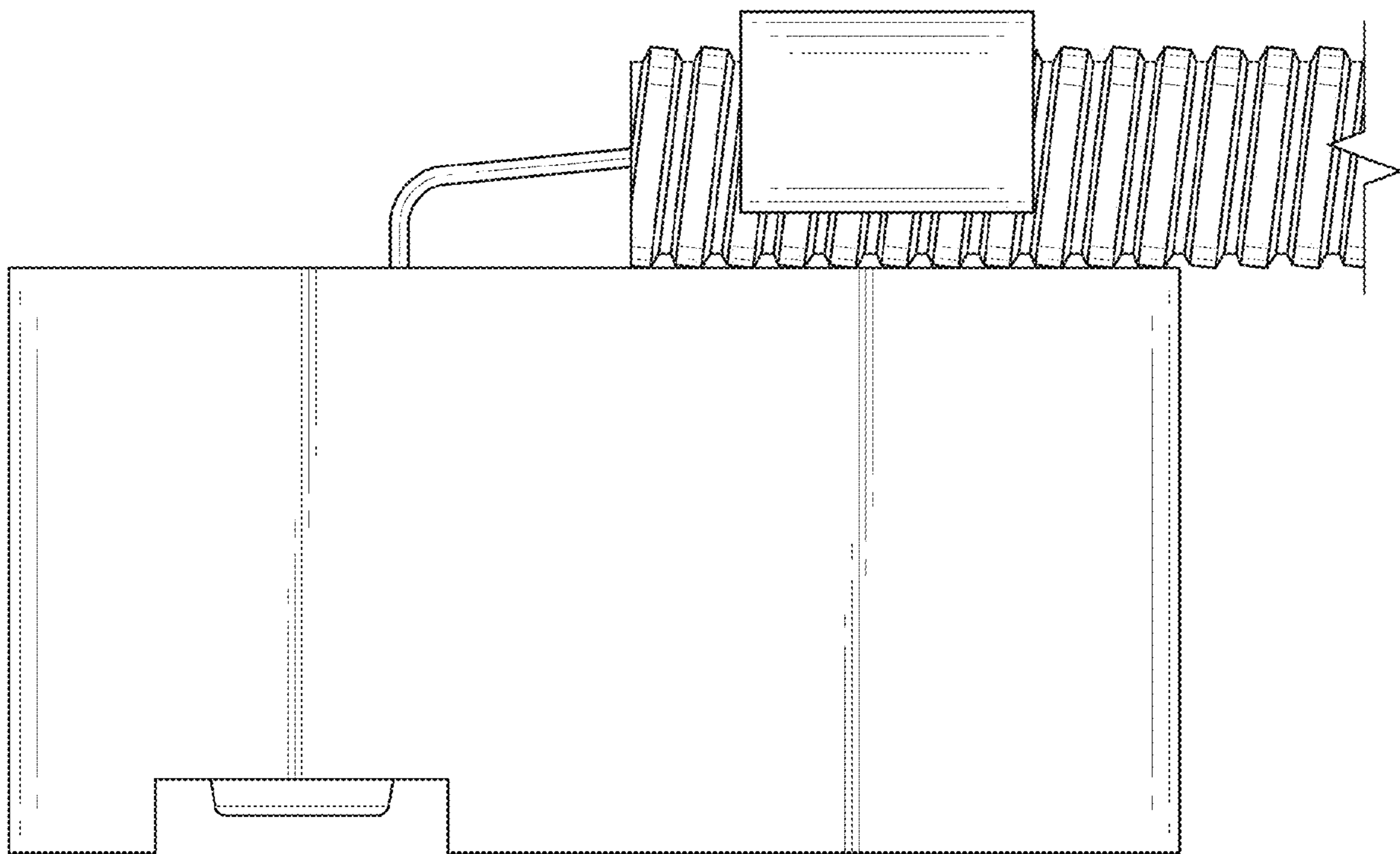


FIG. 3

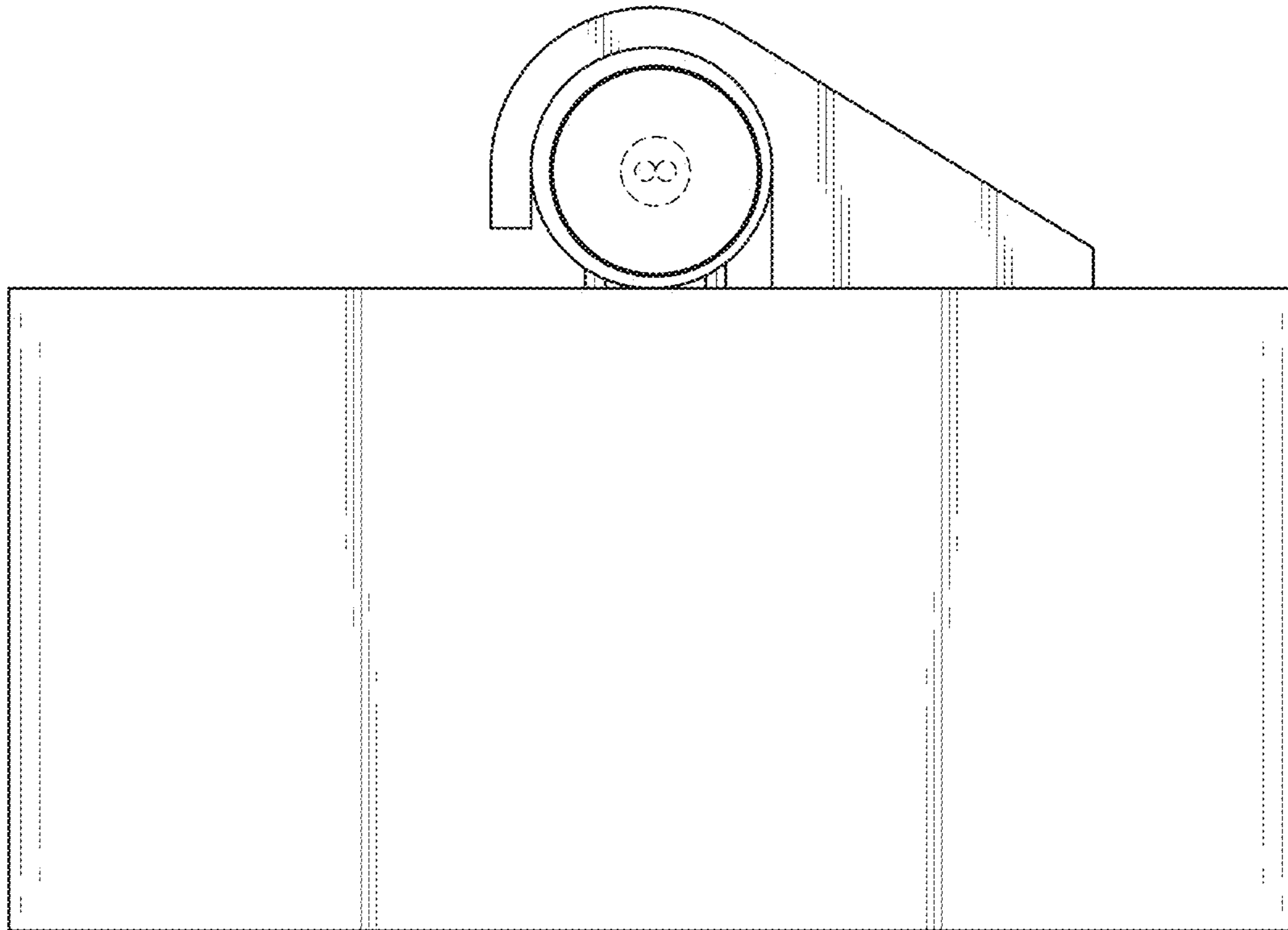


FIG. 4

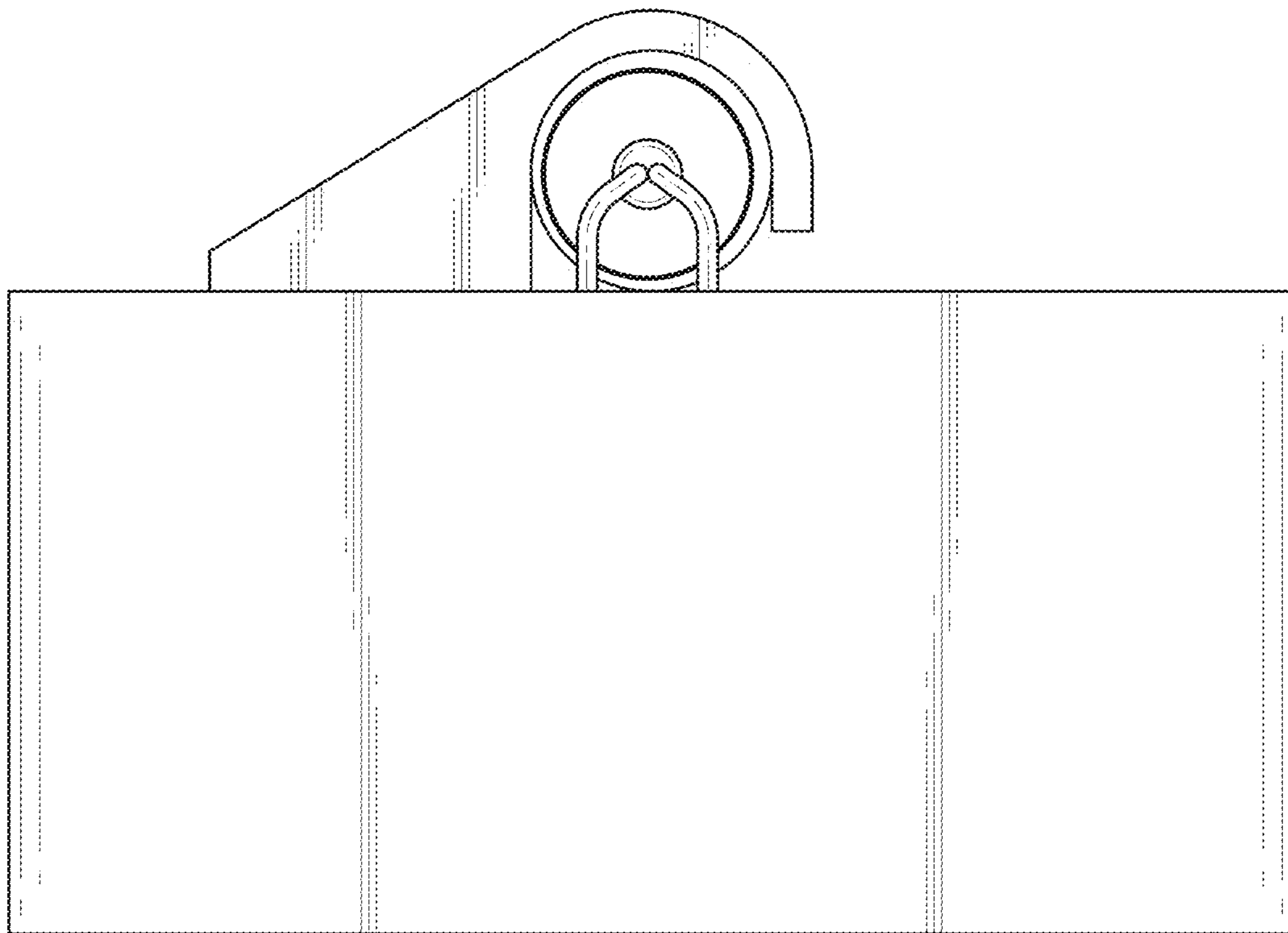


FIG. 5

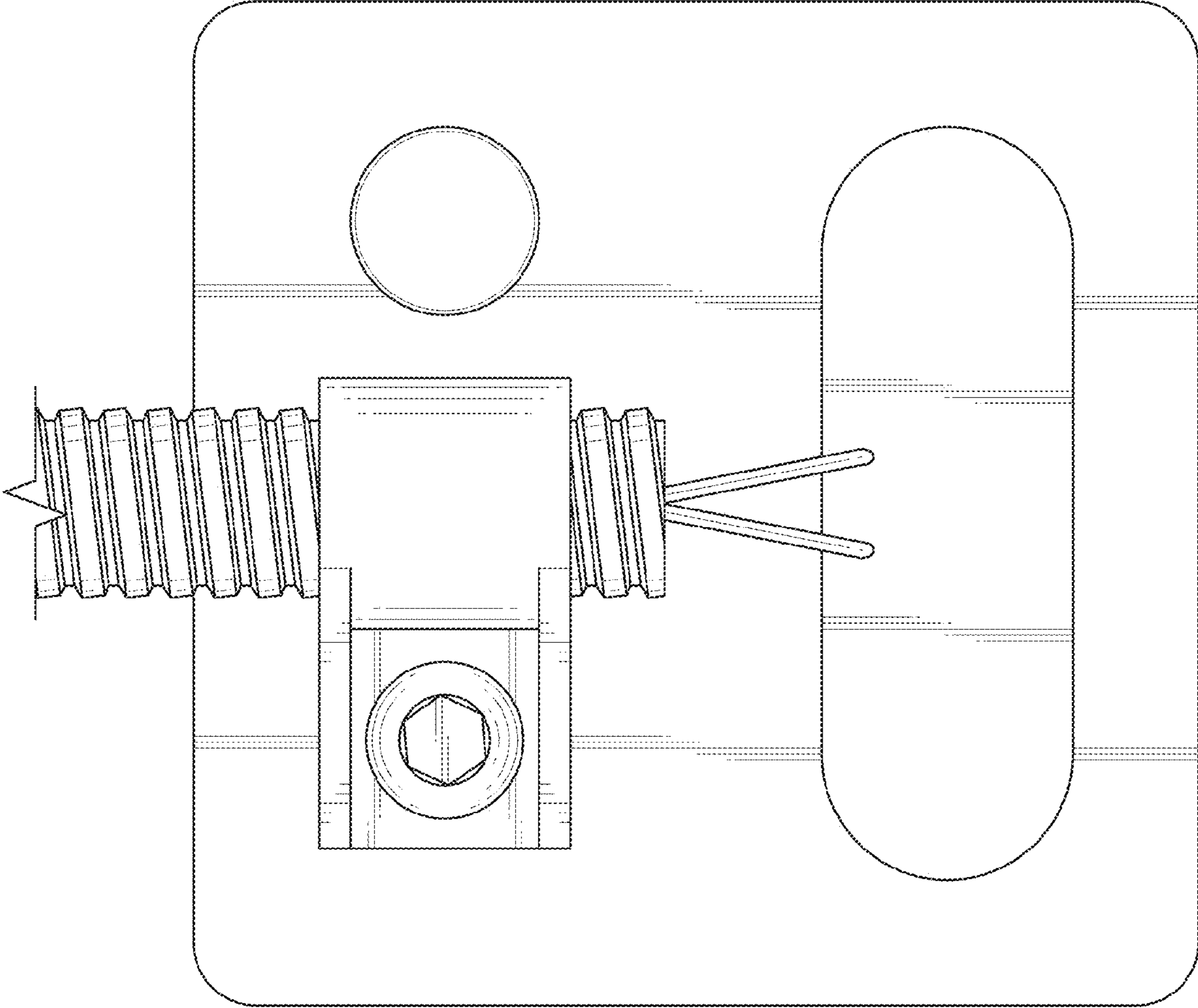


FIG. 6

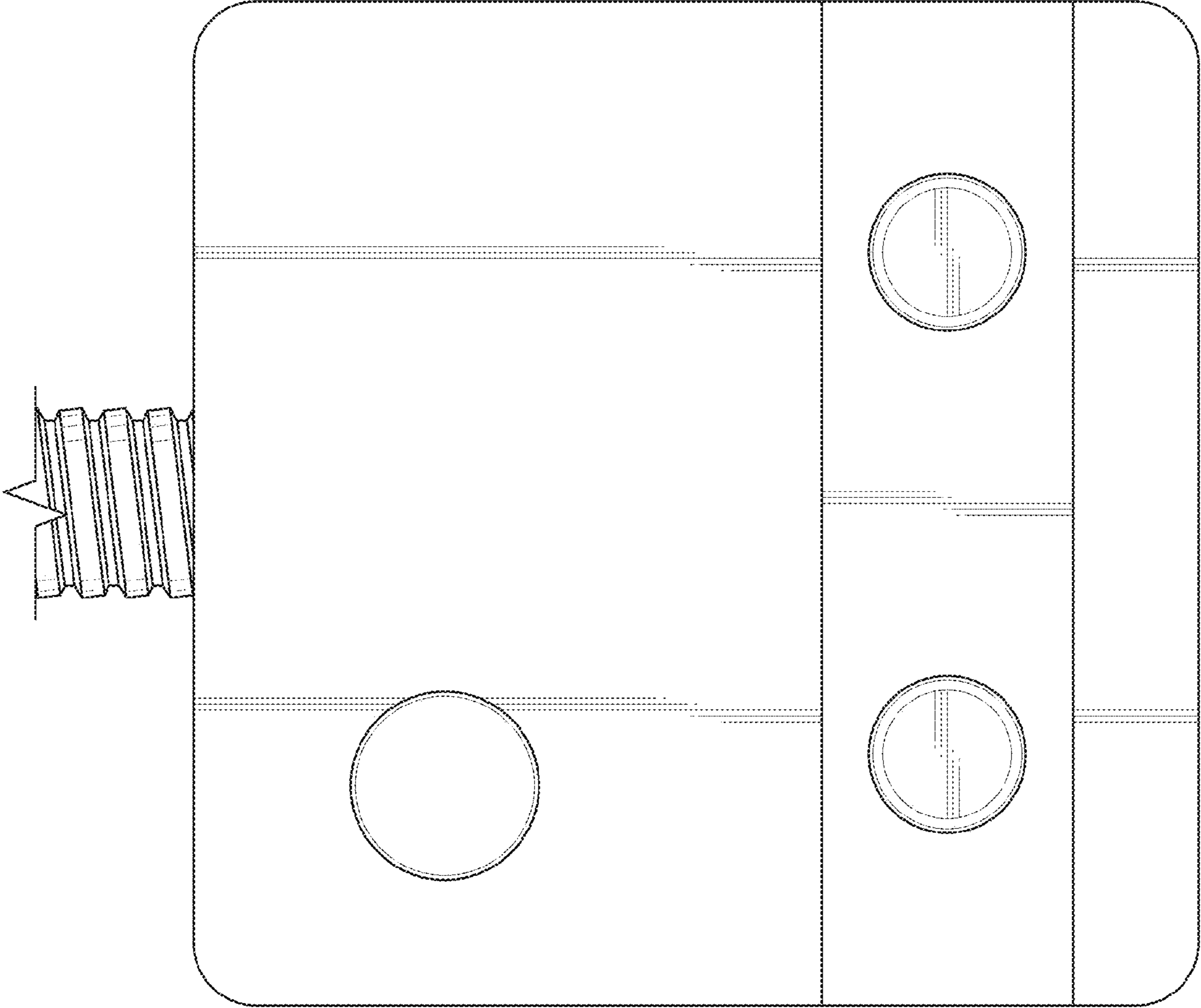


FIG. 7