



US00D898597S

(12) **United States Design Patent**
Oda et al.

(10) **Patent No.:** **US D898,597 S**
(45) **Date of Patent:** **** Oct. 13, 2020**

(54) **WEARABLE SENSOR**

(71) Applicant: **Hitachi, Ltd.**, Chiyoda-ku, Tokyo (JP)

(72) Inventors: **Masaru Oda**, Tokyo (JP); **Yoshihiro Iwama**, Tokyo (JP); **Miki Hayakawa**, Tokyo (JP); **Yuuichi Ogawa**, Tokyo (JP); **Masaki Komatsu**, Tokyo (JP)

(73) Assignee: **Hitachi, Ltd.**, Tokyo (JP)

(**) Term: **15 Years**

(21) Appl. No.: **29/681,435**

(22) Filed: **Feb. 26, 2019**

(30) **Foreign Application Priority Data**

Sep. 27, 2018 (JP) 2018-021146

(51) **LOC (12) Cl.** **10-04**

(52) **U.S. Cl.**
USPC **D10/70; D10/78**

(58) **Field of Classification Search**
USPC D10/70, 78; D13/168; D14/341;
250/339.06; 340/539, 545.02,
340/870.11-870.15, 10.51, 12.5, 447,
340/539.16, 573.1, 854.4, 870.09, 870.29,
340/870.39; 398/108, 109
CPC A61B 5/103; A61B 5/4561; A61B 5/6805;
A61B 2562/0261; A61B 5/7455; A61B
5/486; A61B 5/6801; A61B 5/6802; A61B
5/6813; A61B 5/6814; A61B 5/6815;
A61B 5/6816; A61B 5/6817; A61B
5/6818; A61B 5/6819; A61B 5/6822;
A61B 5/6823; A61B 5/6824; A61B
5/6825; A61B 5/6826; A61B 5/6828;
A61B 5/6829; G08B 21/0446; G04B
47/065; G04B 47/066; G04B 47/068;
G08C 19/02; G08C 23/04; G08C 17/02;
G01C 22/006

See application file for complete search history.

(56) **References Cited**

U.S. PATENT DOCUMENTS

D375,695	S *	11/1996	Narai	D10/70
6,546,336	B1 *	4/2003	Matsuoka	G01C 22/006 701/408
D511,699	S *	11/2005	Pan	D10/70
D528,025	S *	9/2006	Tien	D10/70
D582,304	S *	12/2008	Hashino	B42D 25/22 D10/70
D682,126	S *	5/2013	Tello	B42D 25/22 D10/70
D693,250	S *	11/2013	Anderssen	A61B 5/112 D10/70
8,608,671	B2 *	12/2013	Kinoshita	A61B 5/112 600/595

(Continued)

FOREIGN PATENT DOCUMENTS

JP	D 1182588	S	8/2003
JP	D 1209556	S	6/2004
JP	D 1372770	S	11/2009

Primary Examiner — Antoine Duval Davis

(74) *Attorney, Agent, or Firm* — Crowell & Moring LLP

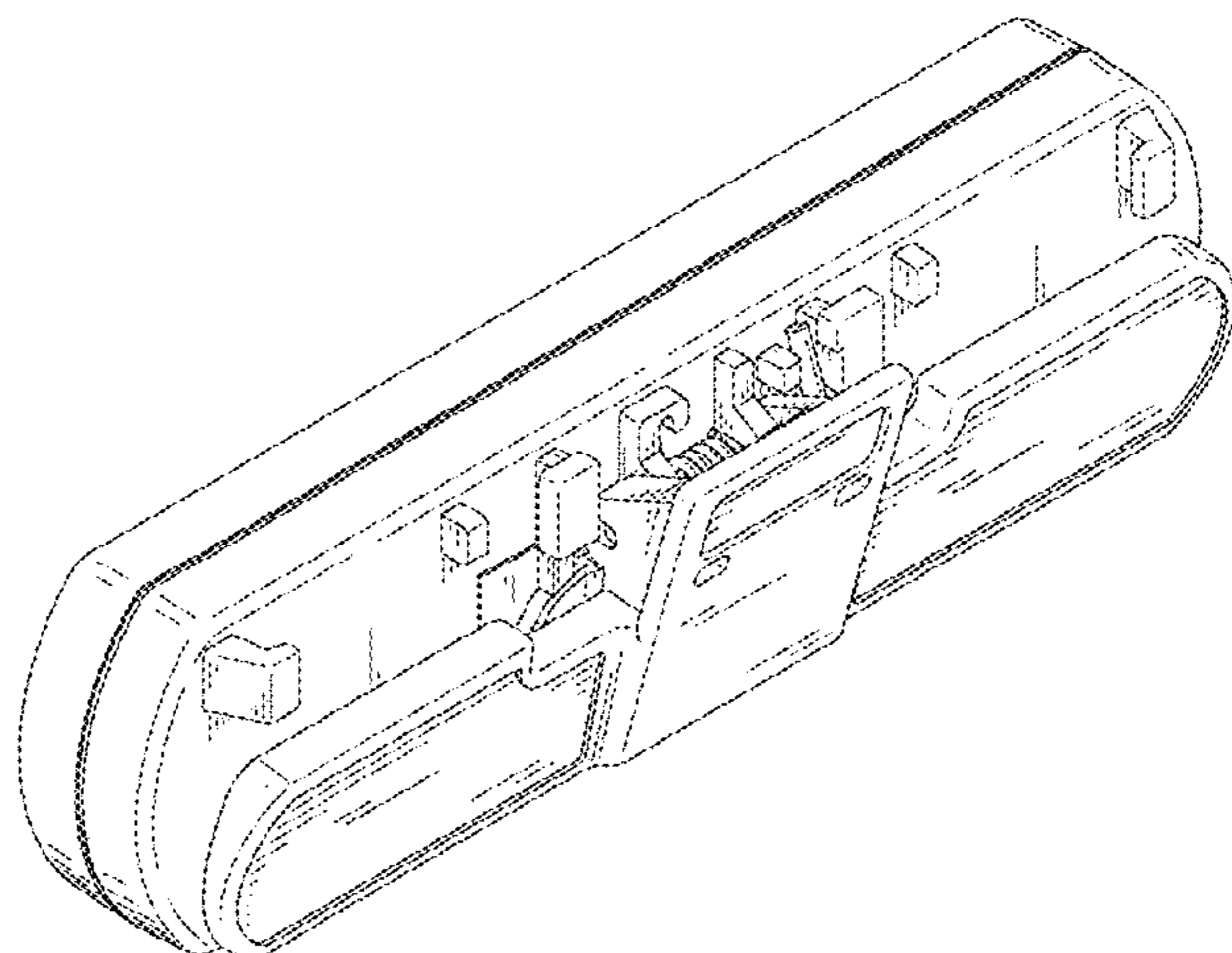
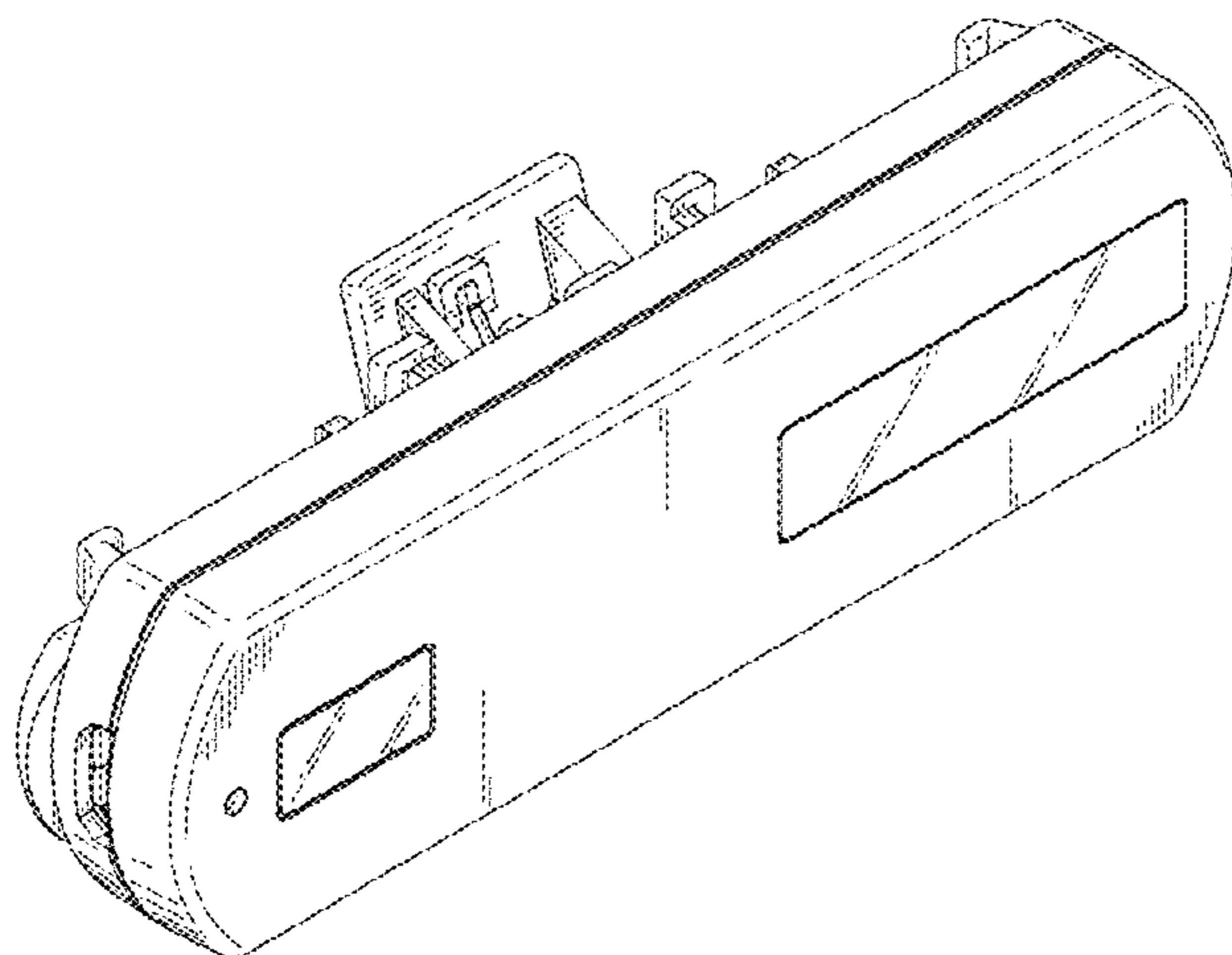
(57) **CLAIM**

The ornamental design for a wearable sensor, as shown and described.

DESCRIPTION

FIG. 1 is a front, top and left side perspective view of a wearable sensor according to the design;
FIG. 2 is a rear, top and right side perspective view thereof;
FIG. 3 is a front elevational view thereof;
FIG. 4 is a left side elevational view thereof;
FIG. 5 is a right side elevational view thereof;
FIG. 6 is a top plan view thereof;
FIG. 7 is a bottom plan view thereof; and,
FIG. 8 is a rear elevational view thereof.

1 Claim, 5 Drawing Sheets



(56)

References Cited

U.S. PATENT DOCUMENTS

9,646,476 B1 * 5/2017 Hansen G08B 21/0446
9,766,090 B2 * 9/2017 Takahashi A61B 5/1112

* cited by examiner

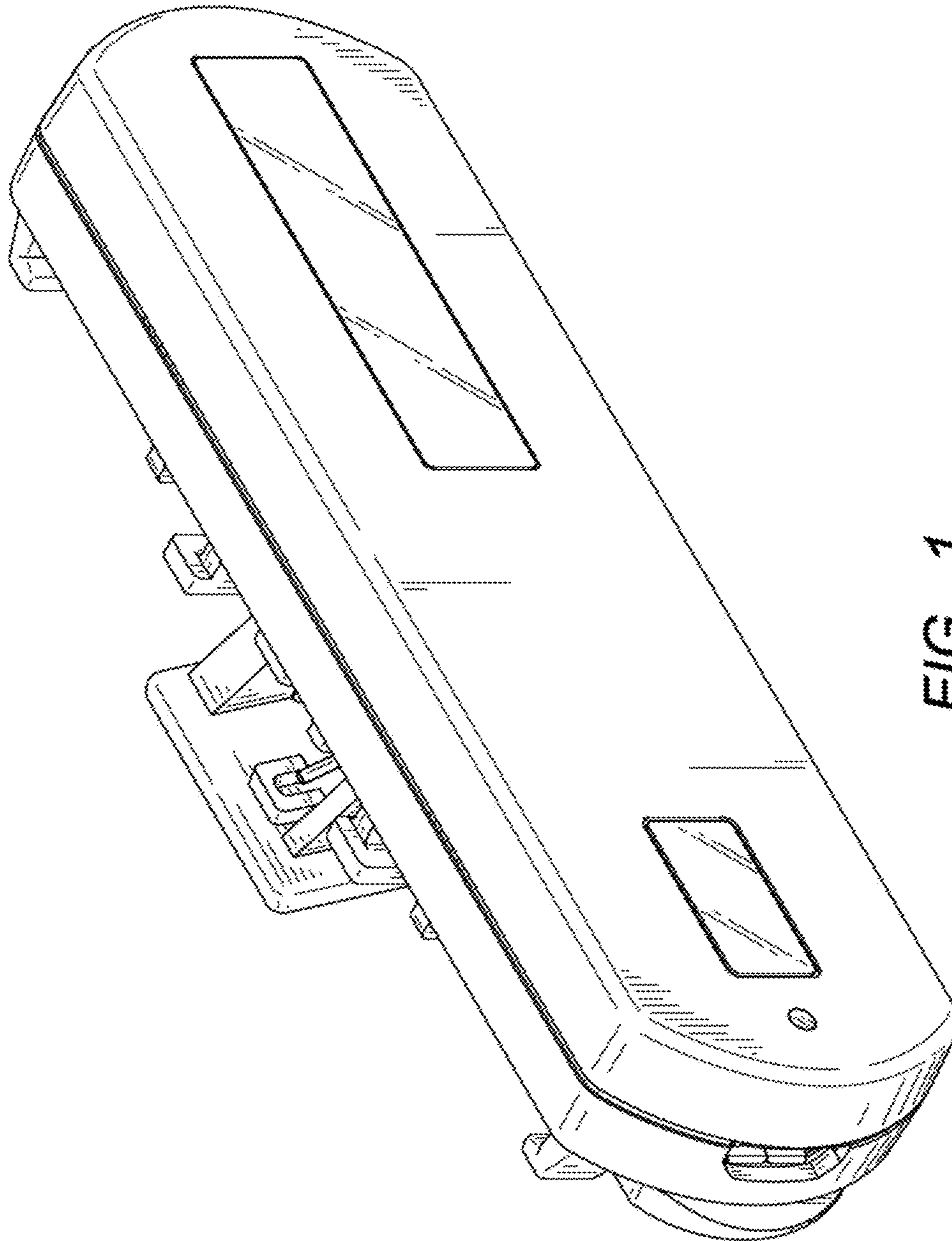


FIG. 1

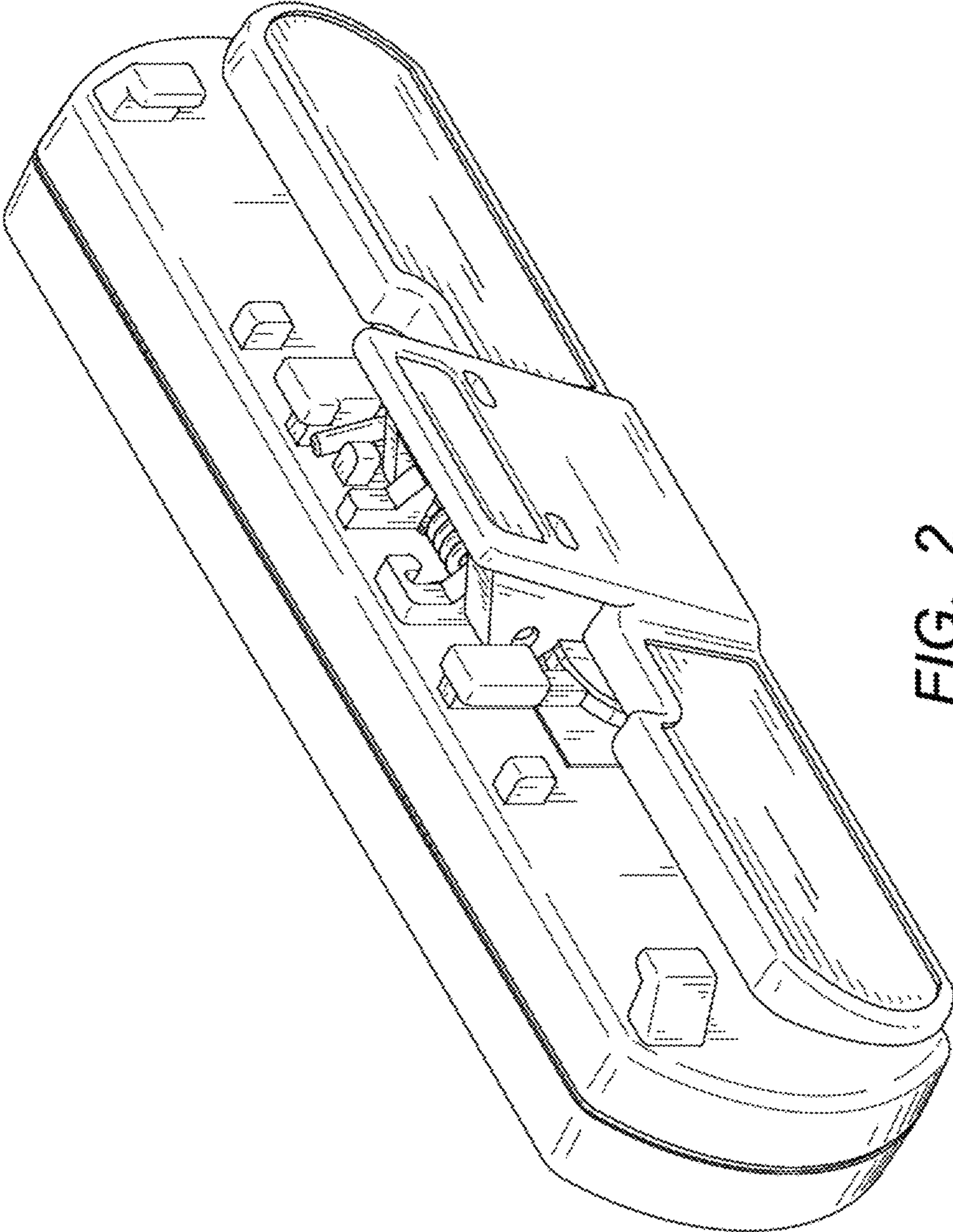


FIG. 2

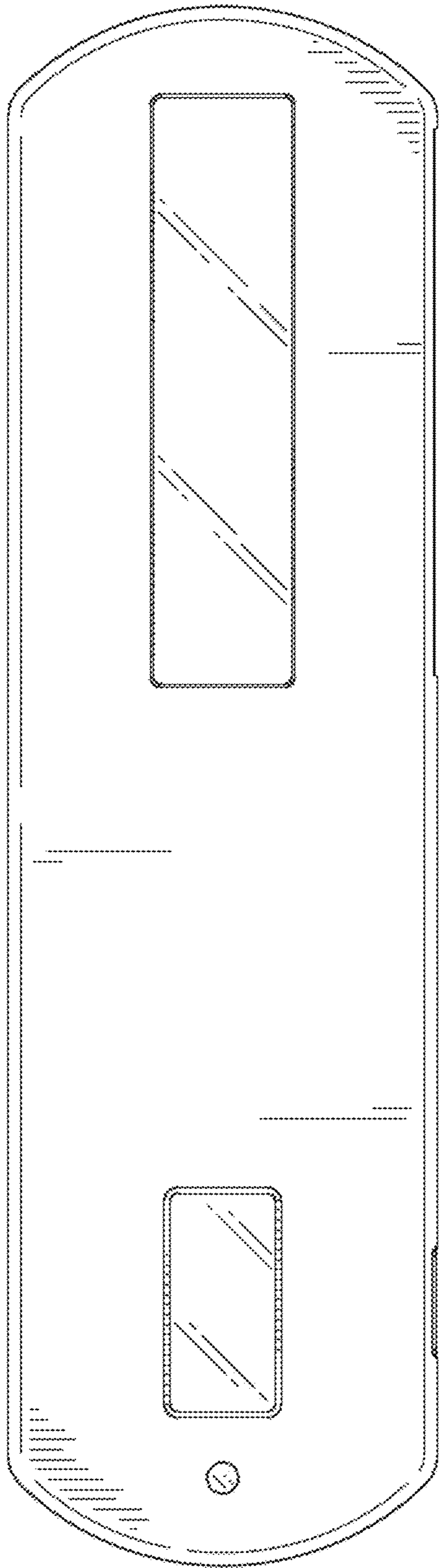


FIG. 3

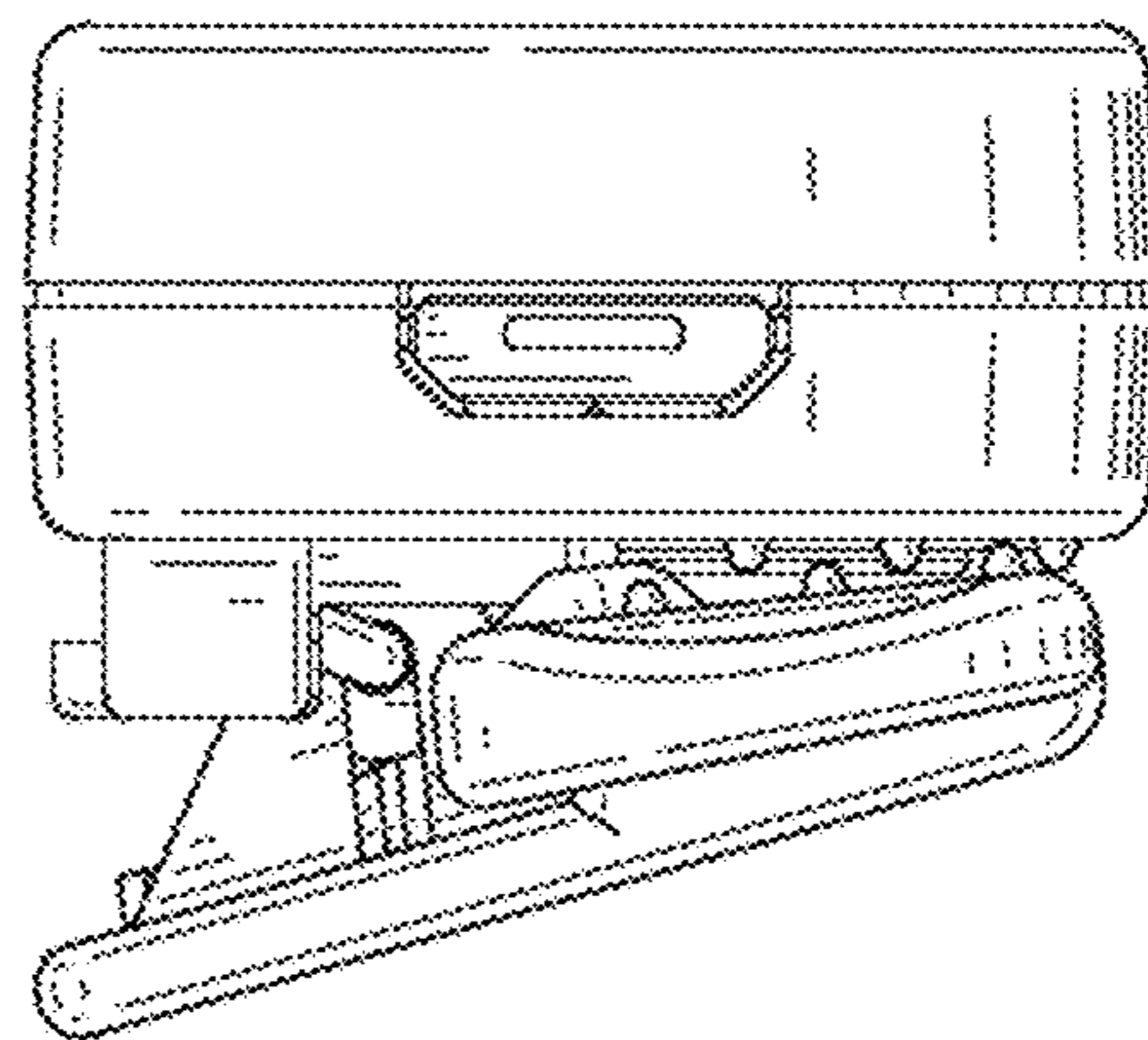


FIG. 4

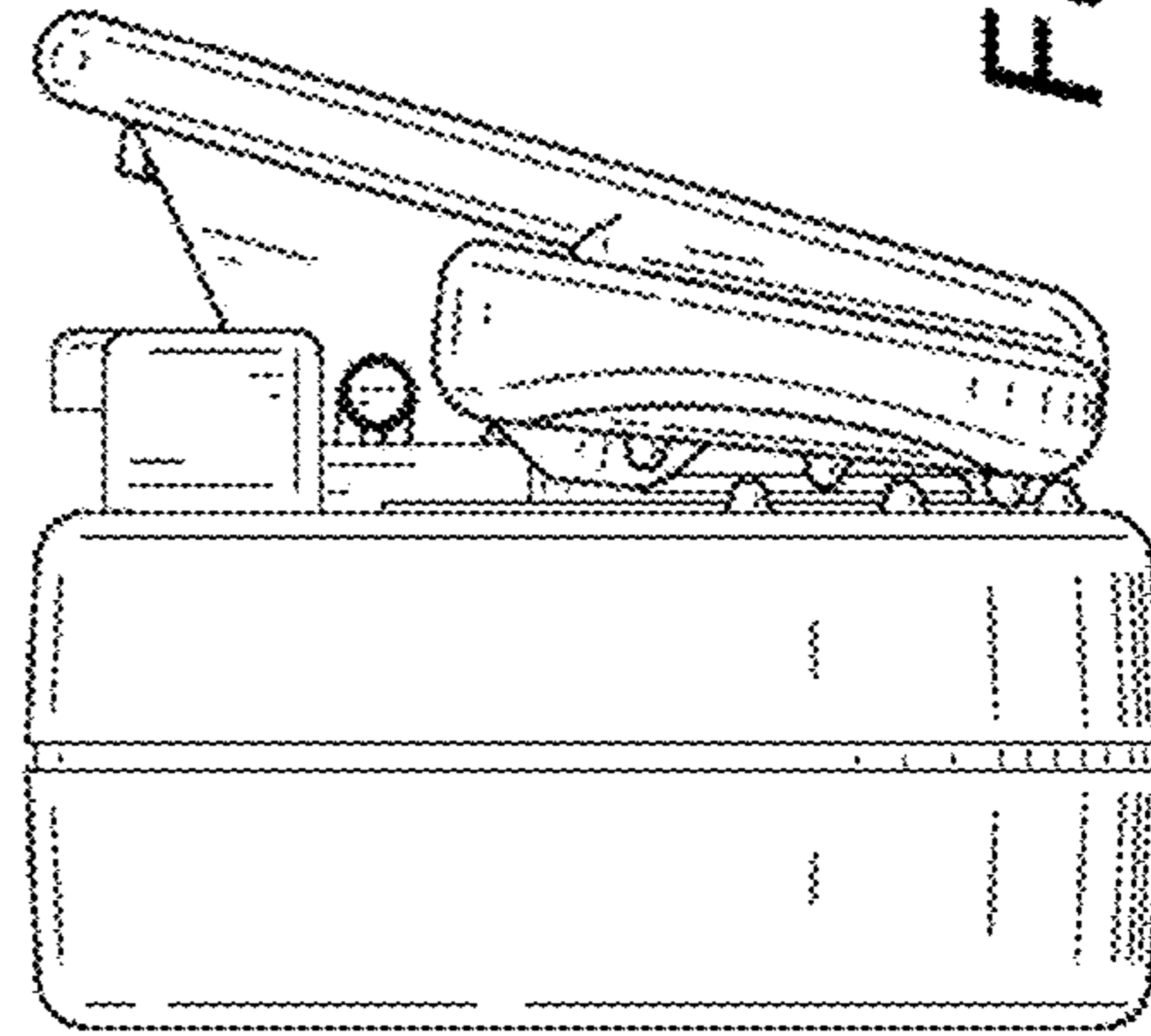


FIG. 5

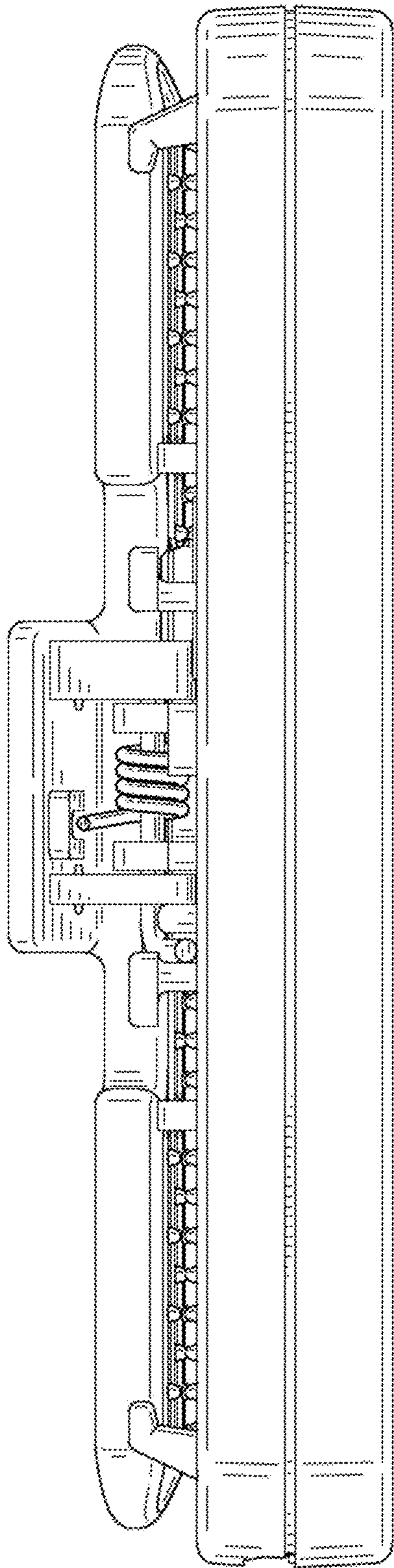


FIG. 6

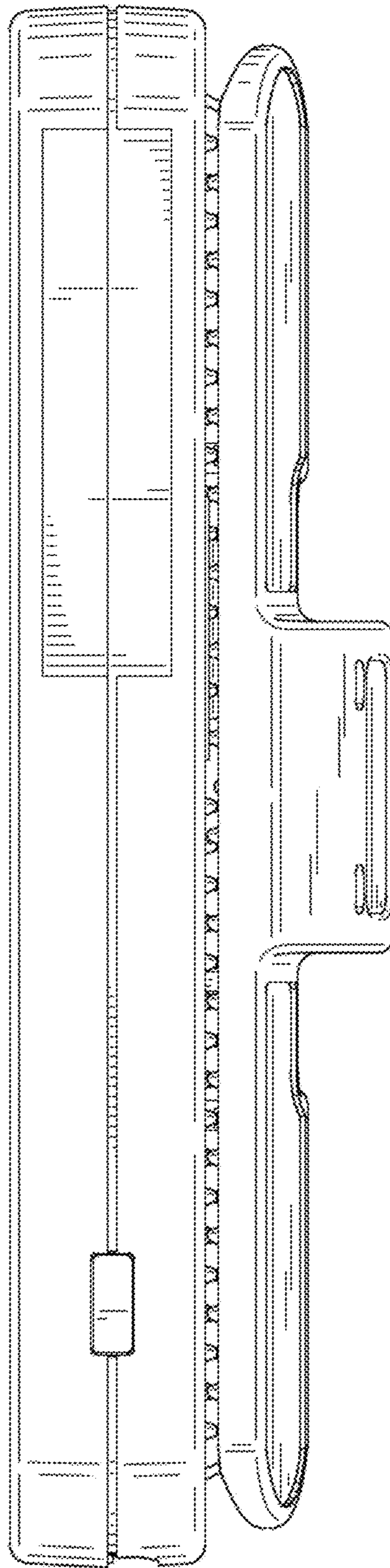


FIG. 7

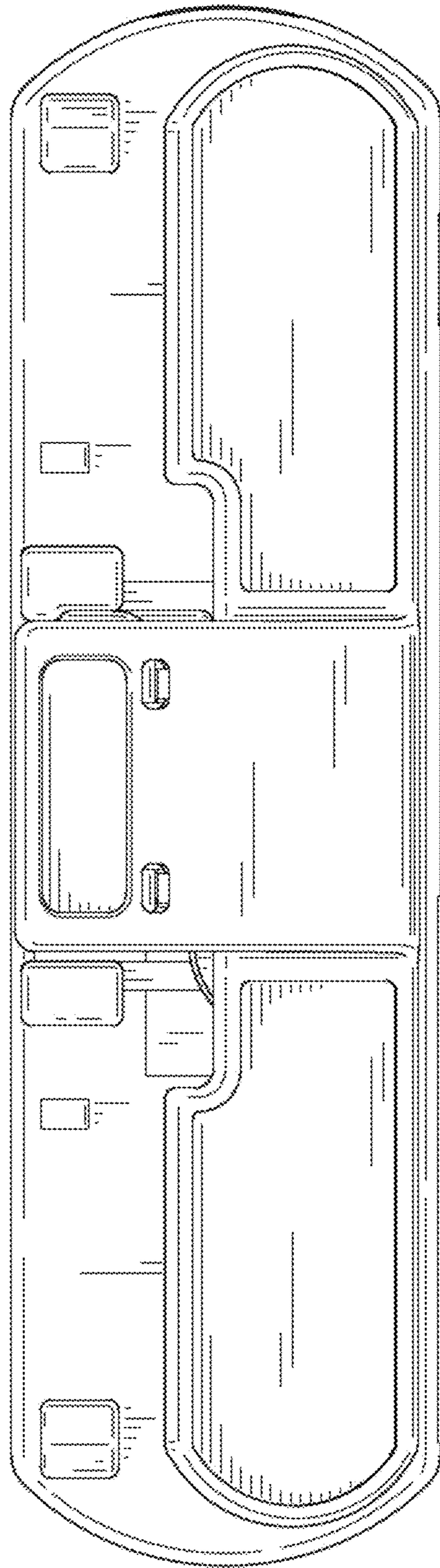


FIG. 8