

US00D898595S

(12) **United States Design Patent** (10) **Patent No.:** **US D898,595 S**  
**Wojciechowski et al.** (45) **Date of Patent:** **\*\* Oct. 13, 2020**

(54) **LASER ALIGNMENT TOOL**

(71) Applicant: **Diamond Tech LLC**, Carson City, NV (US)

(72) Inventors: **Timothy J. Wojciechowski**, Hubertus, WI (US); **David Mencil**, Menomonee Falls, WI (US)

(73) Assignee: **Diamond Tech, LLC**, Carson City, NV (US)

D675,117 S \* 1/2013 Diefenderfer ..... D10/69  
 9,228,888 B2 \* 1/2016 Luo ..... G01N 29/041  
 D827,461 S \* 9/2018 Doeren ..... D10/65  
 2004/0177523 A1 9/2004 Chang et al.  
 2005/0005462 A1 1/2005 Heger et al.  
 2007/0044332 A1 3/2007 Yung et al.  
 2007/0130785 A1 6/2007 Bublitz et al.

**FOREIGN PATENT DOCUMENTS**

CN 303519057 12/2015  
 EM 000103601-0001 5/2004

(\*\*) Term: **15 Years**

(21) Appl. No.: **29/681,659**

(22) Filed: **Feb. 27, 2019**

(51) **LOC (12) Cl.** ..... **10-04**

(52) **U.S. Cl.**  
 USPC ..... **D10/69**; D10/70

(58) **Field of Classification Search**  
 USPC ..... D10/65, 69, 70  
 CPC .... G01C 15/00; G01C 15/002; G01C 15/004;  
 G01C 15/006; G01C 3/00; G01C 3/02;  
 G01C 3/04; G01C 3/06; G01C 3/08;  
 G01C 3/085; G01C 5/00; Y10S 33/21;  
 G01B 11/26; G01B 11/27; G01B 11/272;  
 G01B 11/275; G01B 11/2755  
 See application file for complete search history.

**OTHER PUBLICATIONS**

Taiwan Appln. No. 108301592, IPO Search Report, dated Dec. 5, 2019, 1 page.

\* cited by examiner

*Primary Examiner* — Antoine Duval Davis  
 (74) *Attorney, Agent, or Firm* — Boyle Fredrickson, S.C.

(57) **CLAIM**

The ornamental design of a laser alignment tool, as shown and described.

**DESCRIPTION**

FIG. 1 is an isometric view of a laser alignment tool in accordance with my new design, in which the portions in phantom form no part of the claimed design; FIG. 2 is a front end elevation view thereof; FIG. 3 is a rear elevation view thereof; FIG. 4 is a right side elevation view thereof; FIG. 5 is a left side elevation view thereof; FIG. 6 is a top plan view thereof; and, FIG. 7 is a bottom plan view thereof.

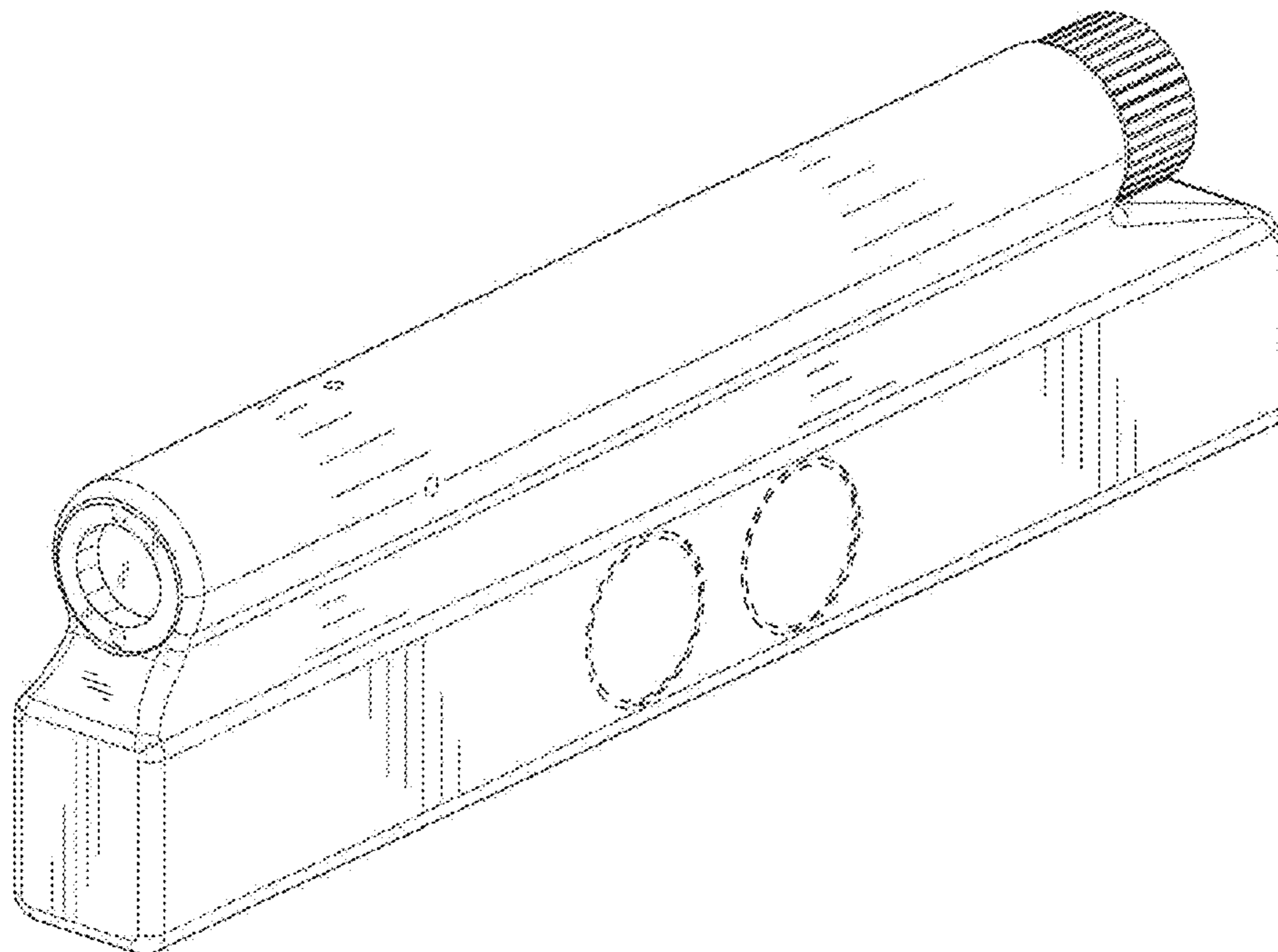
**1 Claim, 6 Drawing Sheets**

(56) **References Cited**

U.S. PATENT DOCUMENTS

7,336,433 B2 \* 2/2008 Ho ..... G02B 27/30  
 356/153

D567,121 S 4/2008 Zhang et al.  
 7,497,018 B2 3/2009 Hersey et al.



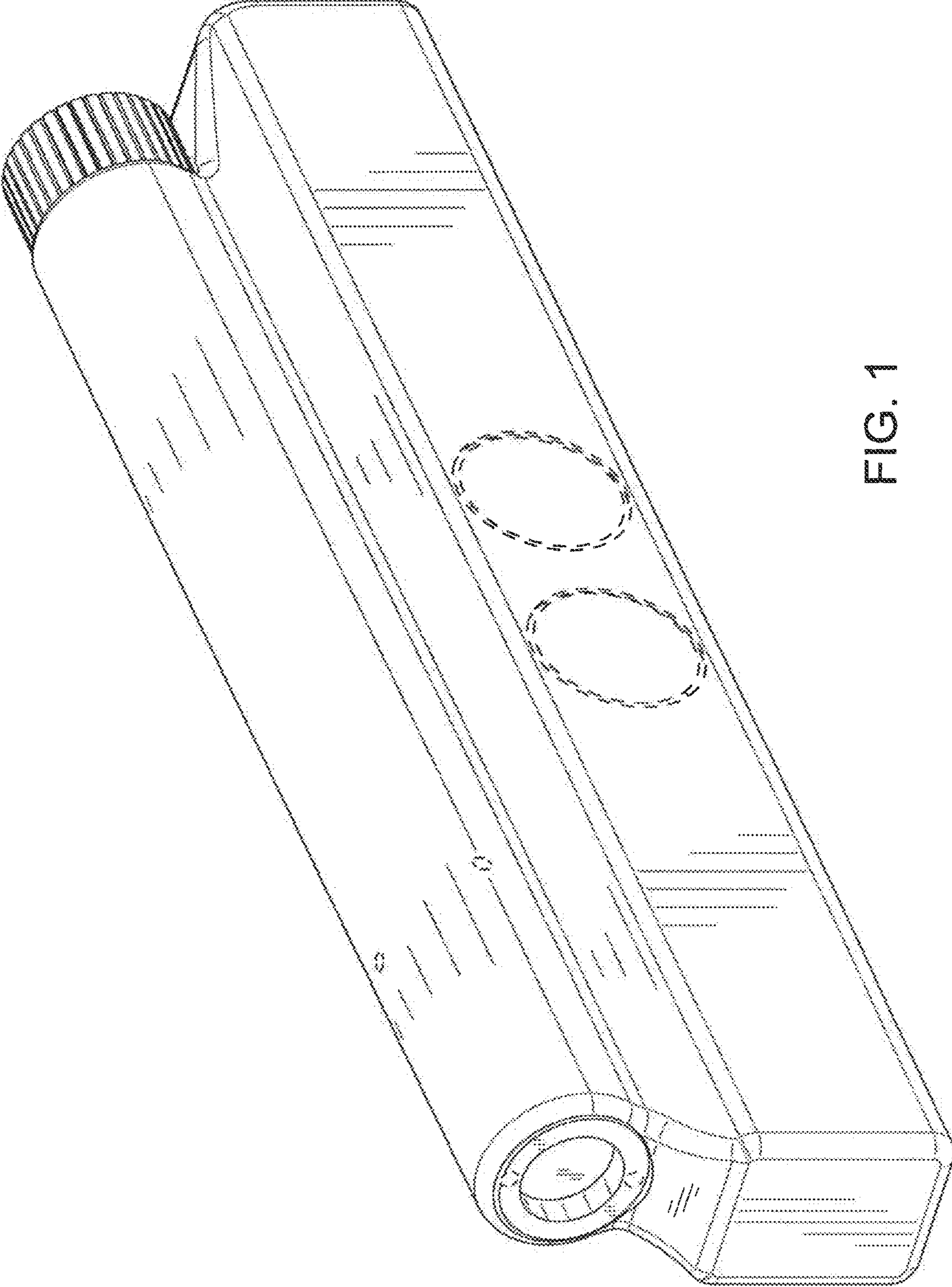


FIG. 1

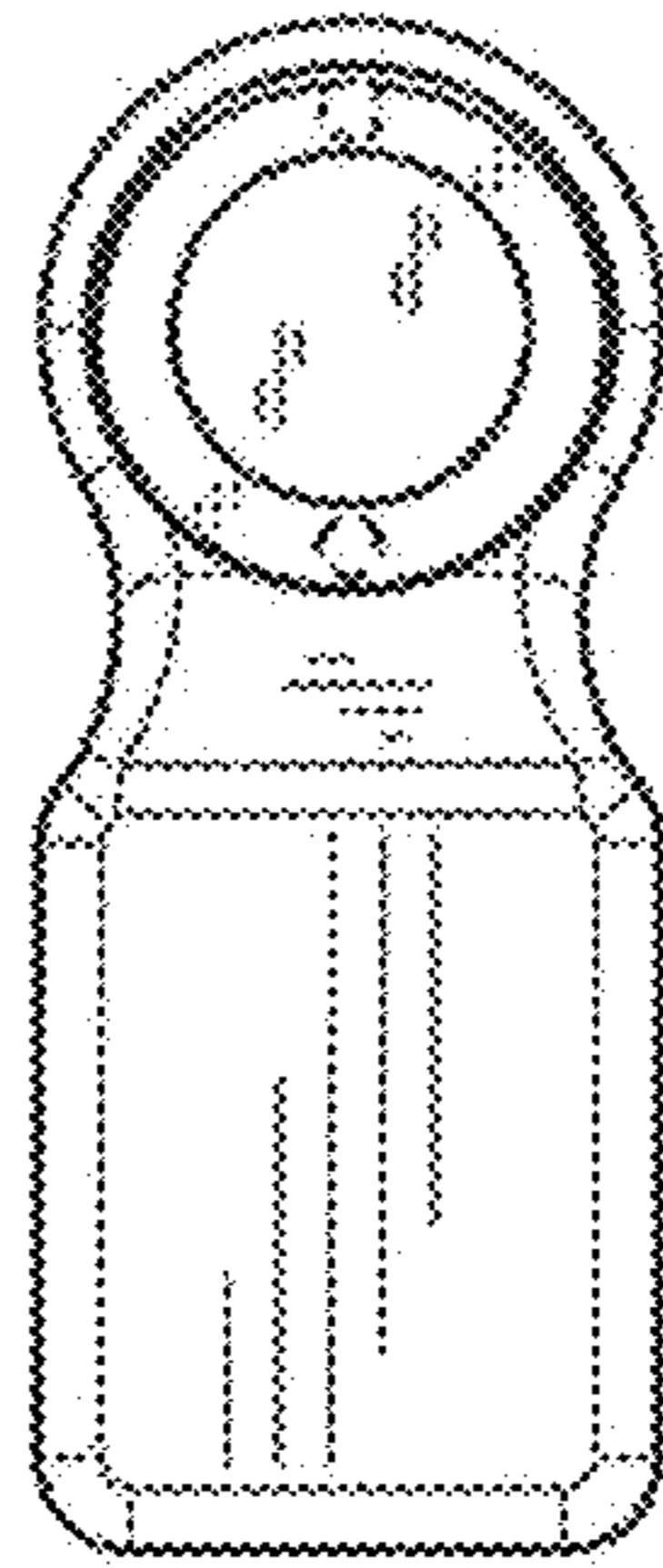


FIG. 2

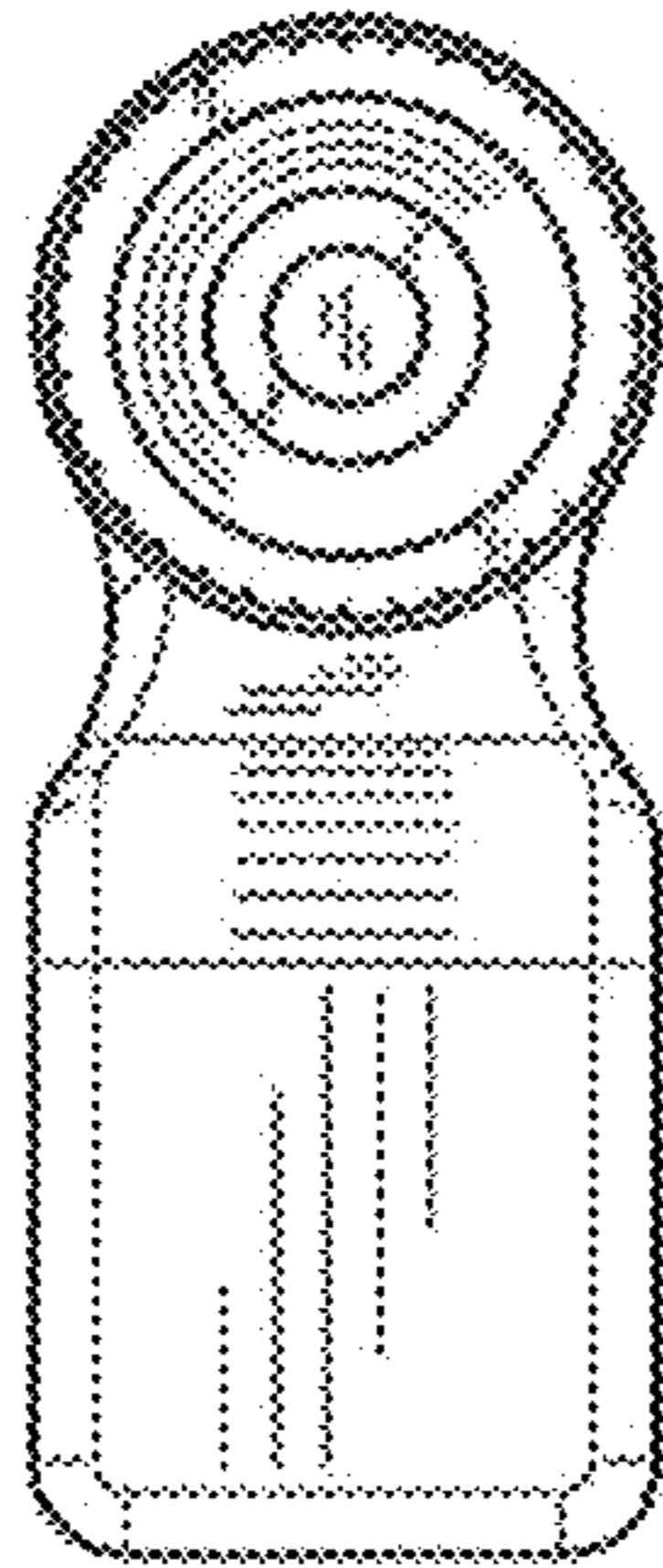


FIG. 3

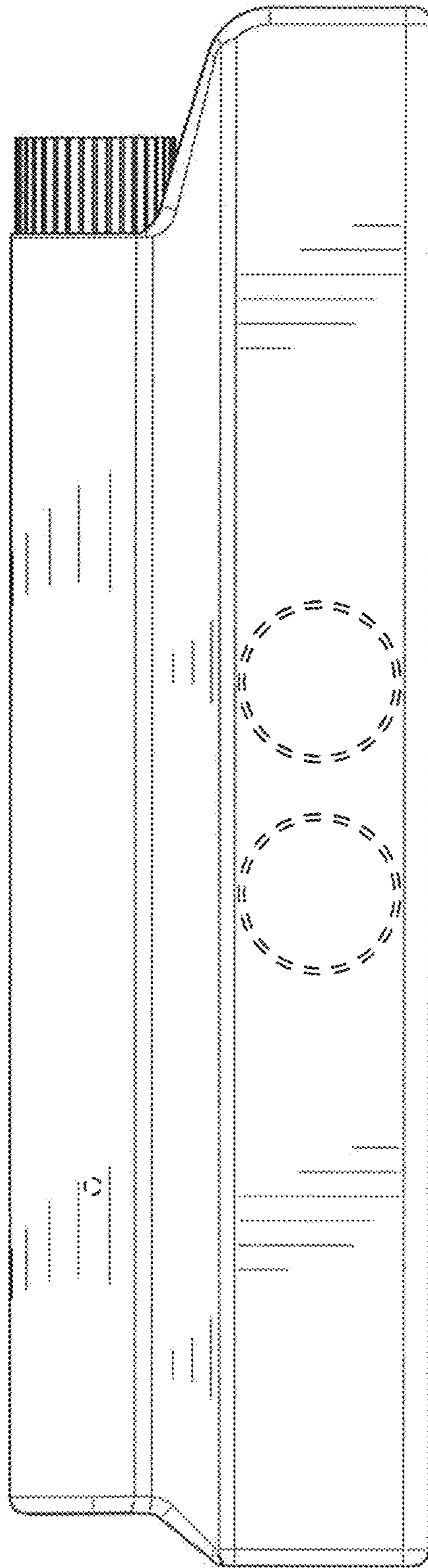


FIG. 4

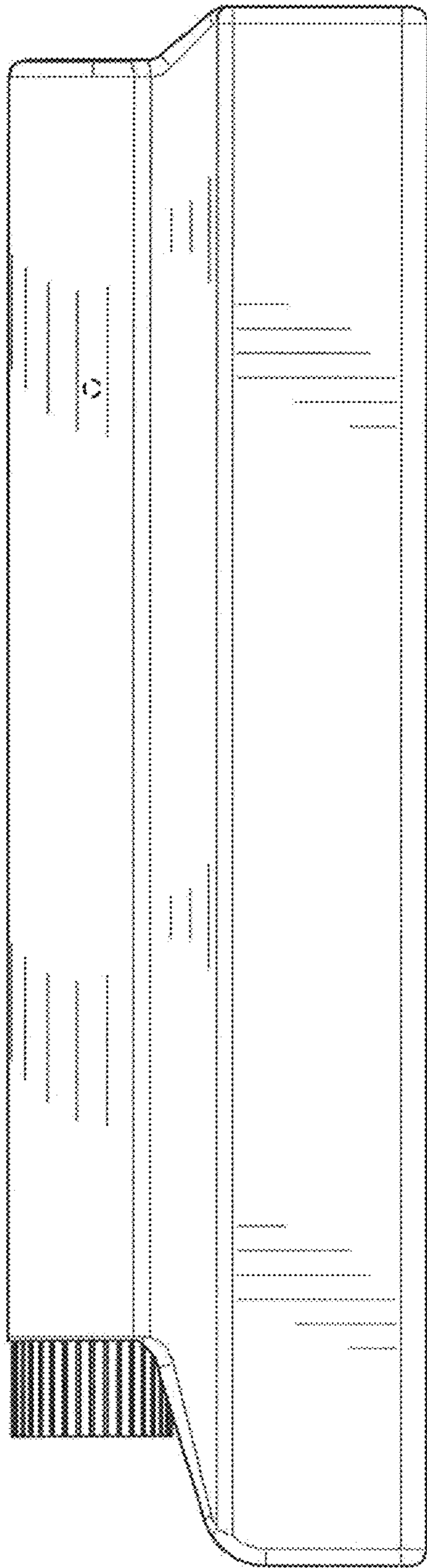


FIG. 5

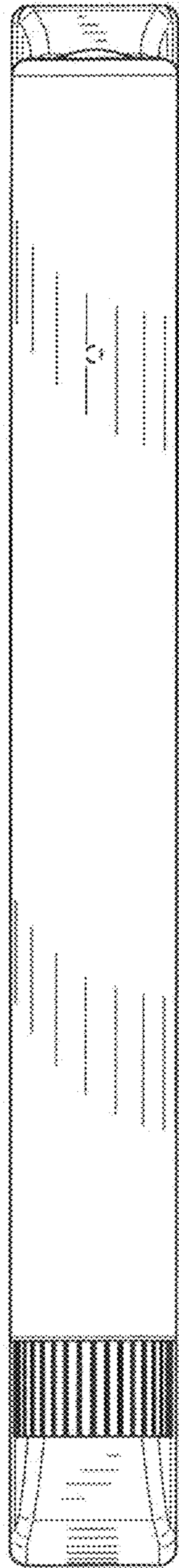


FIG. 6

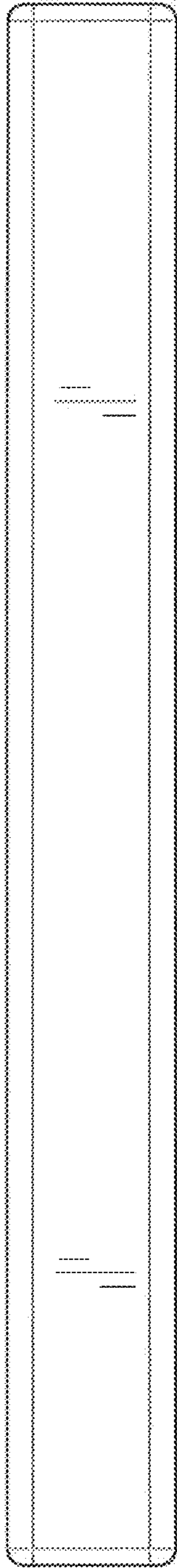


FIG. 7