



US00D898594S

(12) **United States Design Patent** (10) **Patent No.:** **US D898,594 S**
Wojciechowski et al. (45) **Date of Patent:** **** Oct. 13, 2020**

(54) **DIGITAL TORPEDO LEVEL**
(71) Applicant: **Diamond Tech LLC**, Carson City, NV (US)
(72) Inventors: **Timothy J. Wojciechowski**, Hubertus, WI (US); **David Mencil**, Menomonee Falls, WI (US)
(73) Assignee: **Diamond Tech LLC**, Carson City, NV (US)
(**) Term: **15 Years**
(21) Appl. No.: **29/681,655**
(22) Filed: **Feb. 27, 2019**
(51) **LOC (12) Cl.** **10-04**
(52) **U.S. Cl.**
USPC **D10/69**
(58) **Field of Classification Search**
USPC D10/69
CPC ... G01C 9/24; G01C 9/26; G01C 9/28; G01C 9/30; G01C 9/32; G01C 9/34; G01C 9/36
See application file for complete search history.

D280,185 S 8/1985 Wright
4,829,676 A 5/1989 Waldron
D301,553 S 6/1989 Makofsky et al.
4,876,798 A 10/1989 Zimmerman
5,103,569 A 4/1992 Leatherwood
D332,226 S 1/1993 Hutchins et al.
D355,134 S 2/1995 Kennedy
D371,309 S 7/1996 Webb
D389,758 S 1/1998 Motamed
5,755,037 A 5/1998 Stevens
D412,857 S 8/1999 Howard et al.
D415,436 S 10/1999 Martone
D438,477 S 3/2001 Douglas
6,360,446 B1 3/2002 Bijawat et al.
D469,370 S 1/2003 Gruetzmacher et al.
D472,168 S 3/2003 Levinson
6,568,095 B2 5/2003 Snyder
D507,194 S 7/2005 Budrow et al.
D513,198 S 12/2005 Levinson
D521,882 S 5/2006 Kim
7,152,335 B2 12/2006 Nichols
D536,999 S 2/2007 Chen
D582,302 S 12/2008 Johnson et al.

(Continued)

Primary Examiner — Antoine D Davis
(74) *Attorney, Agent, or Firm* — Boyle Fredrickson, S.C.

(57) **CLAIM**

The ornamental design of a digital torpedo level, as shown and described.

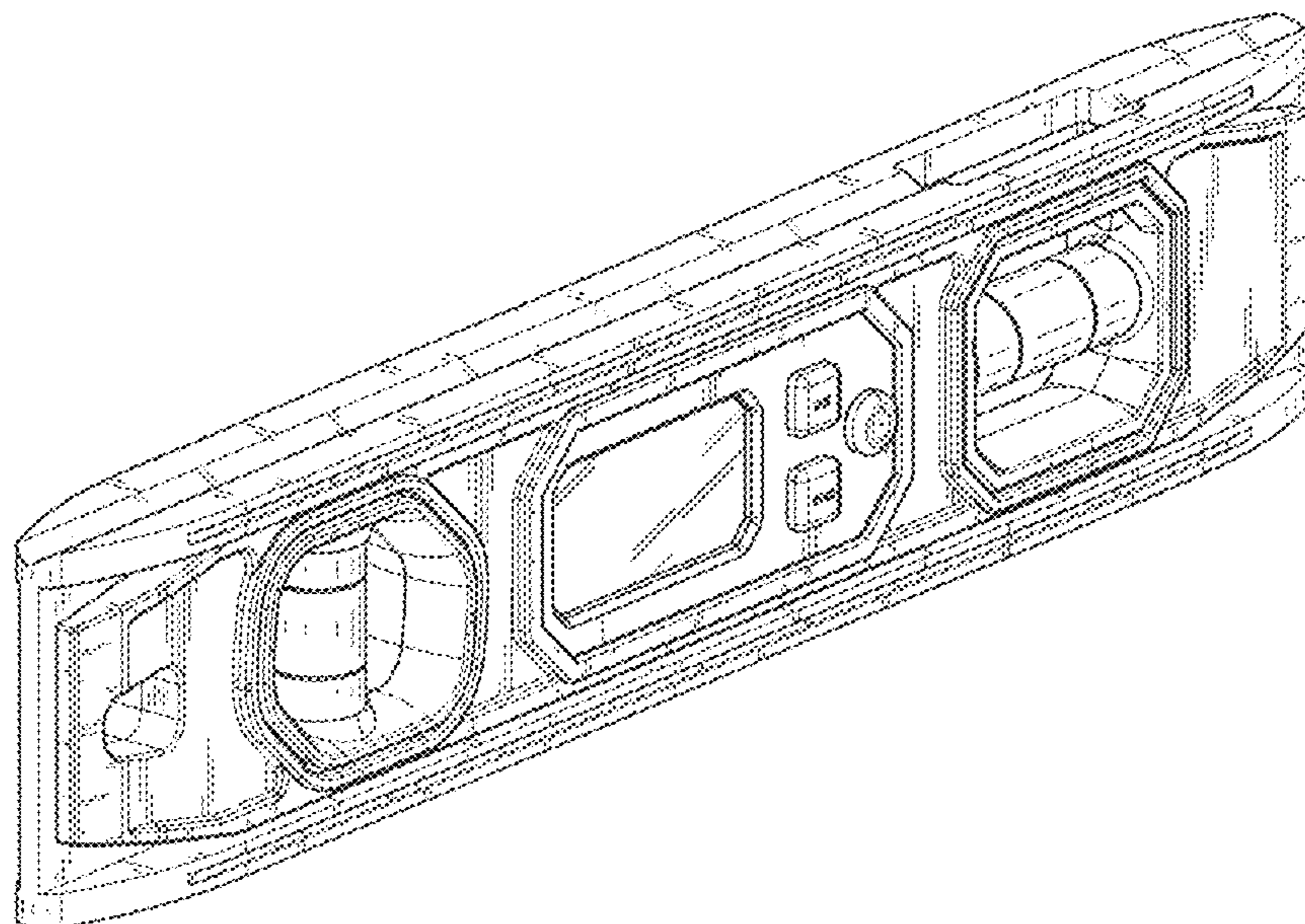
DESCRIPTION

FIG. 1 is an isometric view of a digital torpedo level incorporating our new design
FIG. 2 is a front elevation view thereof;
FIG. 3 is a rear elevation view thereof;
FIG. 4 is a first end elevation view thereof;
FIG. 5 is a second end elevation view thereof;
FIG. 6 is a top plan view thereof; and,
FIG. 7 is a bottom plan view thereof.

1 Claim, 6 Drawing Sheets

(56) **References Cited**
U.S. PATENT DOCUMENTS

1,061,638 A 5/1913 McGrath
2,541,880 A 2/1951 McMillan et al.
D168,401 S 12/1952 Harris
2,634,509 A 4/1953 Roberts
2,789,363 A 4/1957 Miley
2,813,349 A 11/1957 Harris
2,941,144 A 7/1960 Naylor
3,166,855 A 1/1965 Erritt
3,180,035 A 4/1965 Olexson et al.
D224,663 S 8/1972 de Jong
D236,959 S 9/1975 Wright
4,407,075 A 10/1983 MacDermott et al.
4,506,450 A 3/1985 Fleming et al.



(56)

References Cited

U.S. PATENT DOCUMENTS

D625,630 S 10/2010 Levinson
D628,914 S 12/2010 Kim et al.
7,946,045 B2 5/2011 Allemand
8,061,051 B2 11/2011 Allemand
D694,659 S 12/2013 Yong et al.
D723,955 S 3/2015 Wojciechowski et al.
D723,956 S * 3/2015 Johnson D10/69
D729,645 S 5/2015 Wojciechowski et al.
D777,589 S * 1/2017 Wojciechowski D10/69
D796,973 S * 9/2017 Wojciechowski D10/69
9,885,572 B2 * 2/2018 Schwoegler G01C 9/34
10,281,274 B2 * 5/2019 Block G01C 9/34

* cited by examiner

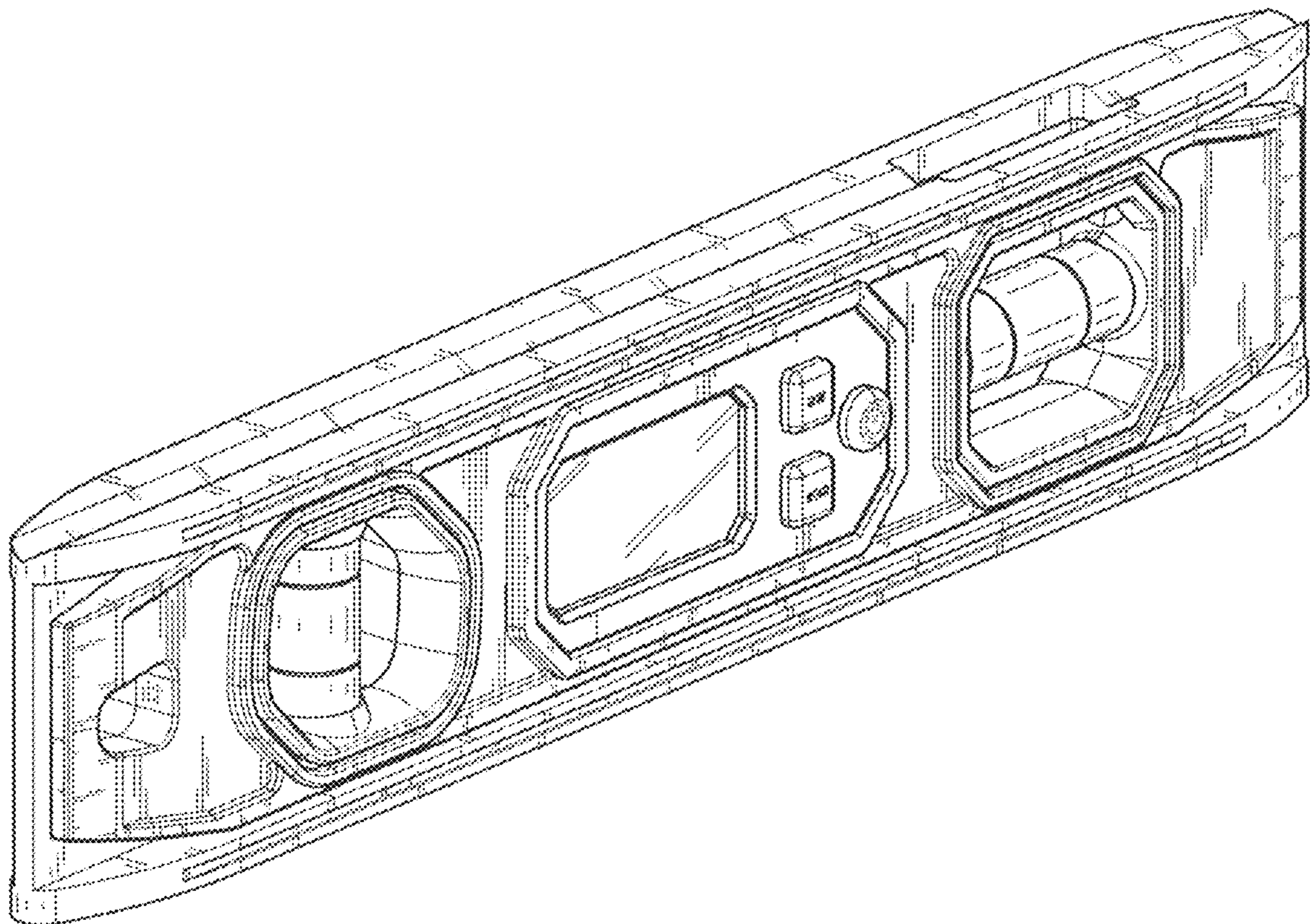


FIG. 1

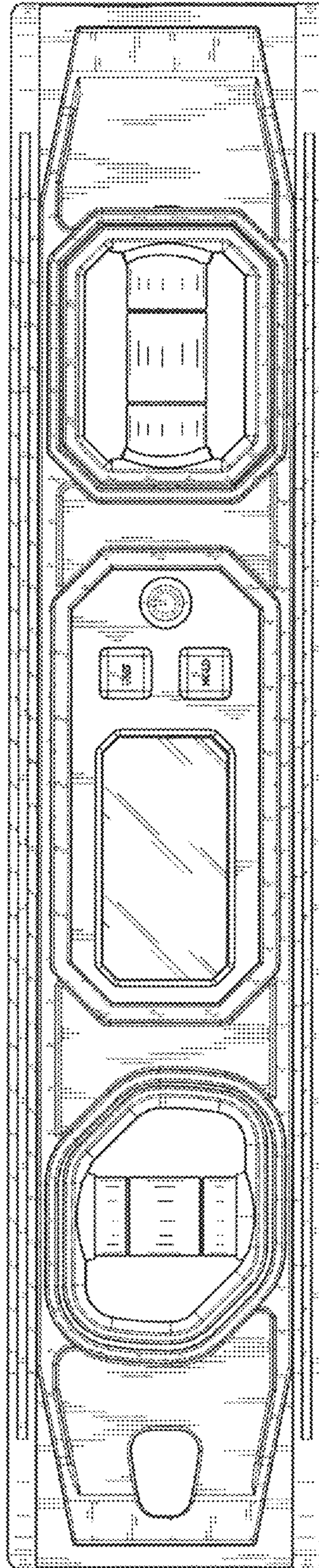


FIG. 2

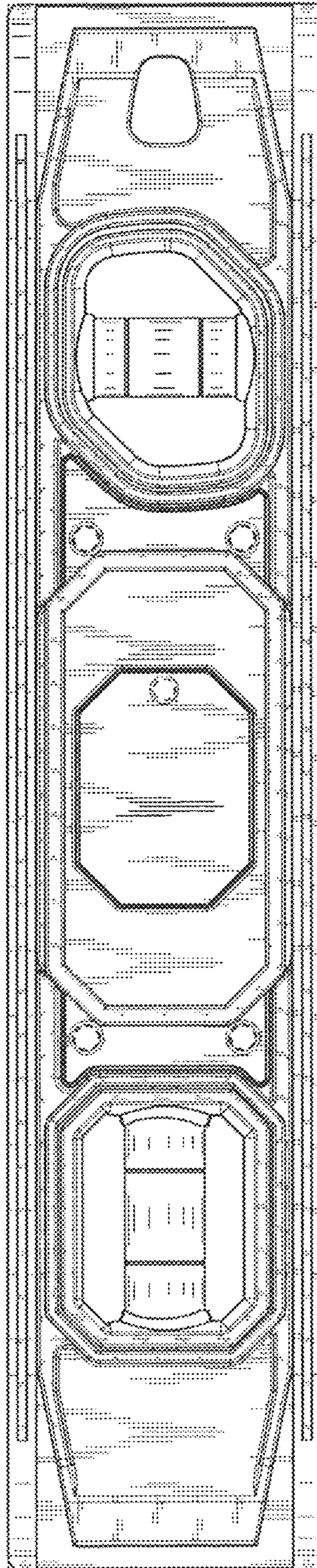


FIG. 3

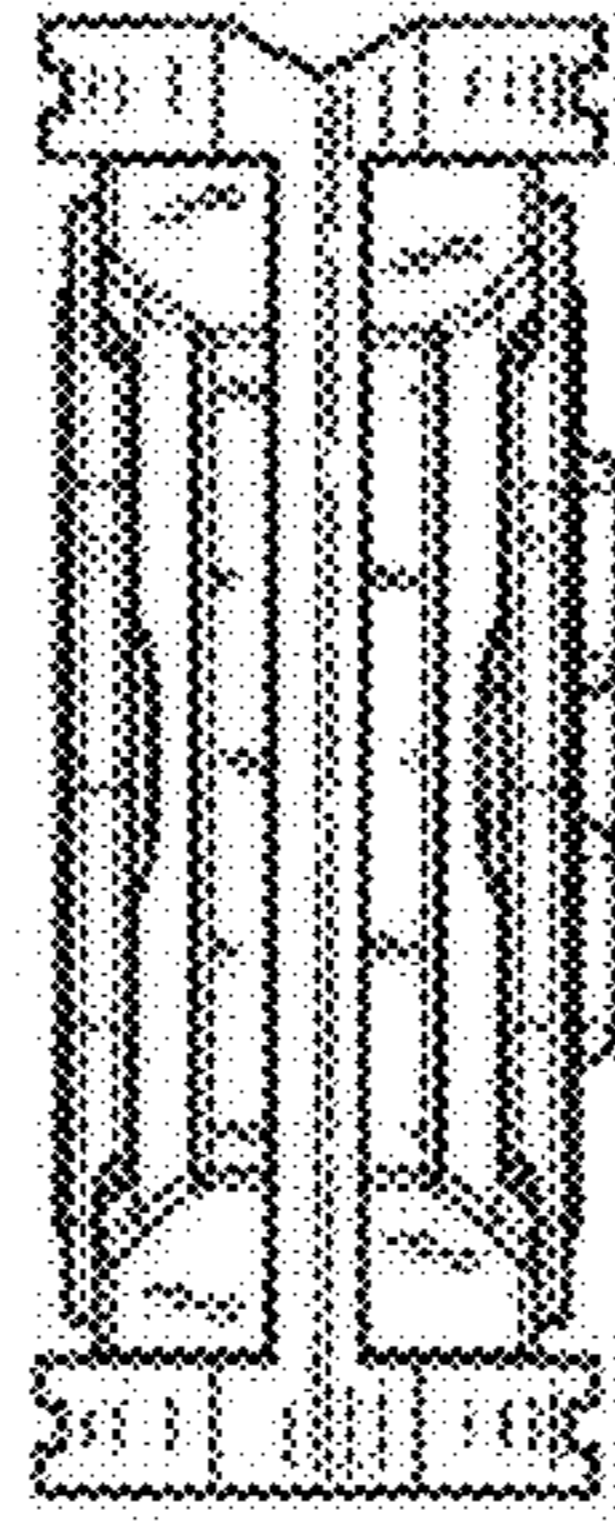


FIG. 4

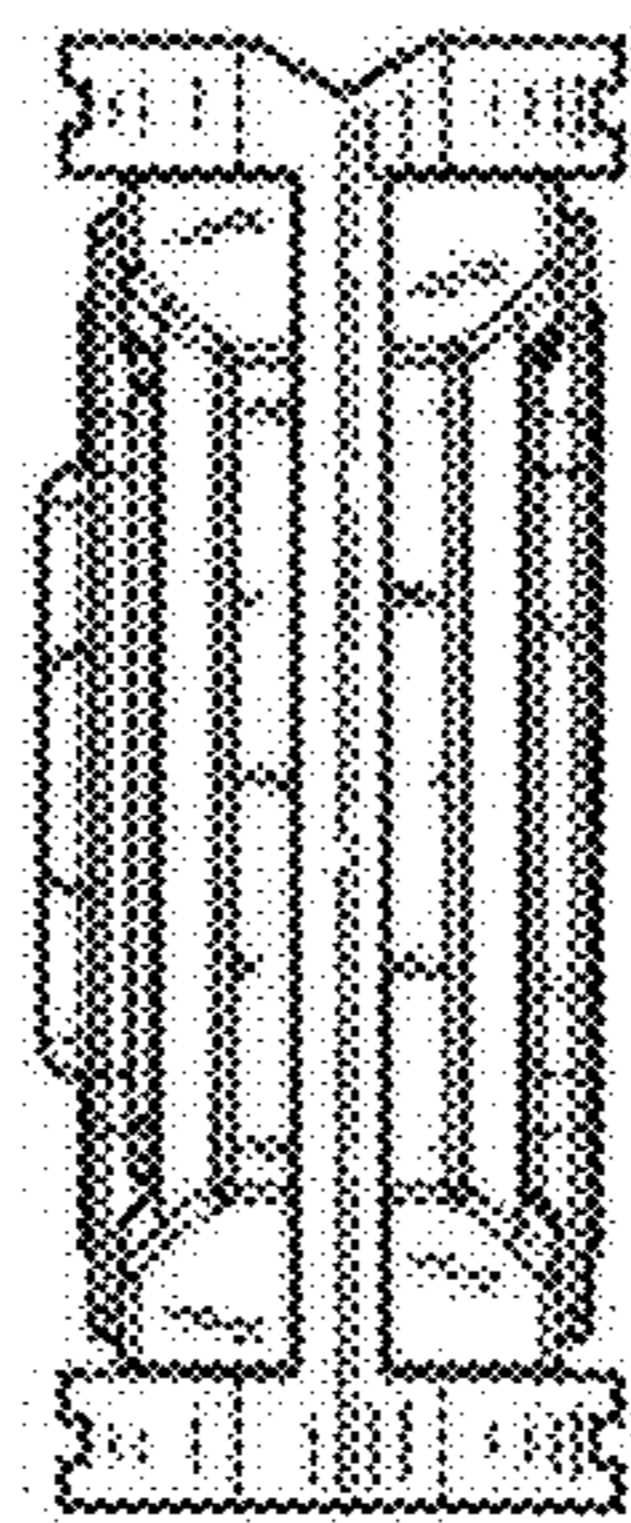


FIG. 5

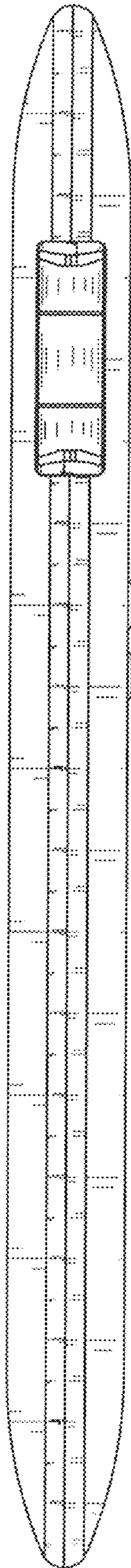


FIG. 6

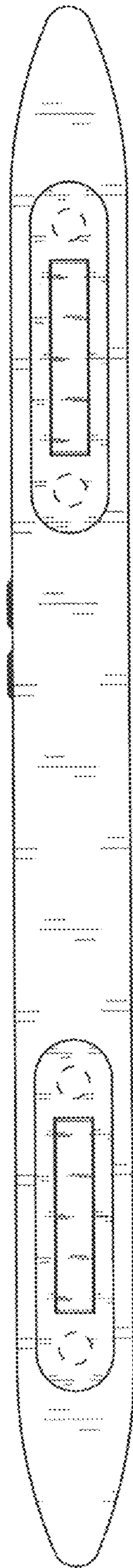


FIG. 7

UNITED STATES PATENT AND TRADEMARK OFFICE
CERTIFICATE OF CORRECTION

PATENT NO. : D898,594 S
APPLICATION NO. : 29/681655
DATED : October 13, 2020
INVENTOR(S) : Wojciechowski et al.

Page 1 of 1

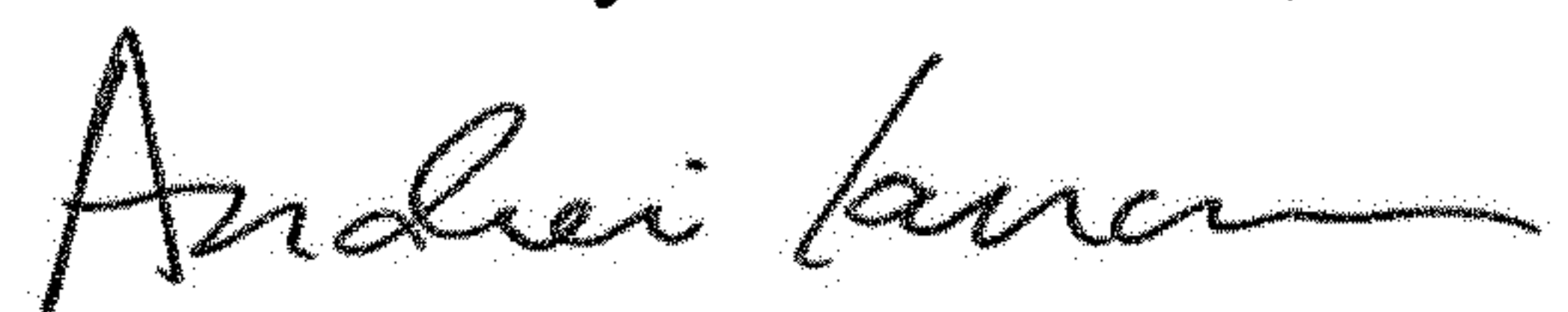
It is certified that error appears in the above-identified patent and that said Letters Patent is hereby corrected as shown below:

On the Title Page

Item (56), Column 1, Line 7, References Cited:

Delete "2,941,144" and substitute therefor -- 2,944,144 --.

Signed and Sealed this
Fifteenth Day of December, 2020



Andrei Iancu
Director of the United States Patent and Trademark Office