



US00D898590S

(12) **United States Design Patent**
Long

(10) **Patent No.:** **US D898,590 S**
(45) **Date of Patent:** **** Oct. 13, 2020**

(54) **ALARM CLOCK WITH WIRELESS CHARGING FUNCTION**

(71) Applicant: **Shenzhen Shuo Yu Technology Co., Ltd.**, Shenzhen, Guangdong (CN)

(72) Inventor: **Yuanyuan Long**, Guangdong (CN)

(73) Assignee: **Shenzhen Shuo Yu Technology Co., Ltd.**, Shenzhen (CN)

(**) Term: **15 Years**

(21) Appl. No.: **29/687,326**

(22) Filed: **Apr. 12, 2019**

(30) **Foreign Application Priority Data**

Jan. 18, 2019 (CN) 2019 3 0053082

(51) **LOC (12) Cl.** **10-01**

(52) **U.S. Cl.**
USPC **D10/2; D10/15; D13/108**

(58) **Field of Classification Search**
USPC D10/1-11, 14-15, 17, 22, 24-26, 29, D10/40-42, 45, 46, 49, 52-53, 104.2, D10/106.1; D14/168, 170-172, 175, 188, D14/203.8; D13/107, 108
CPC G04B 49/00; G04B 49/02; G04B 49/04; G04B 19/00; G04B 19/04; G04B 19/34; G04B 47/008; G04B 47/06; G04B 47/068
See application file for complete search history.

(56) **References Cited**

U.S. PATENT DOCUMENTS

- D242,385 S * 11/1976 Hamada D14/171
- 4,415,273 A * 11/1983 Hoffman G04G 13/025
368/204
- 4,588,901 A * 5/1986 Maclay G04G 15/003
307/125
- D348,397 S * 7/1994 Davis D10/15
- D358,337 S * 5/1995 Wilson D10/15

(Continued)

OTHER PUBLICATIONS

KSIX Smart Alarm Clock 2 Wireless Charger | posted at amazon.com Nov. 2019 [online]. © 1996-2020, Amazon.com, Inc [retrieved Jul. 14, 2020] from Internet: <<https://www.amazon.com/KSIX-Smart-Charge-Wireless-Charger/dp/B07ZDFMTDM>> (Year: 2019).*

Primary Examiner — Sandra Snapp
Assistant Examiner — Katherine Glennon

(57) **CLAIM**

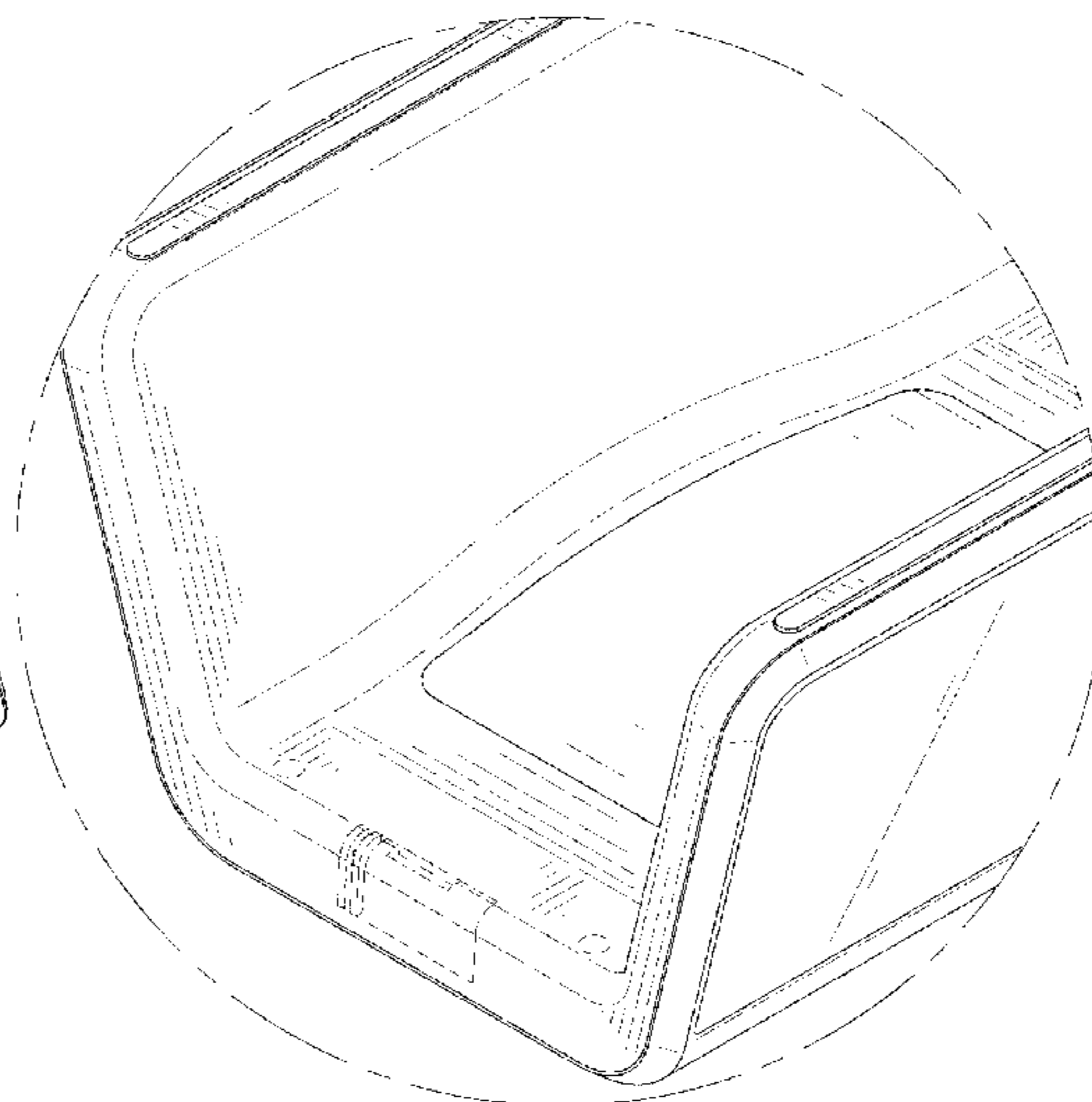
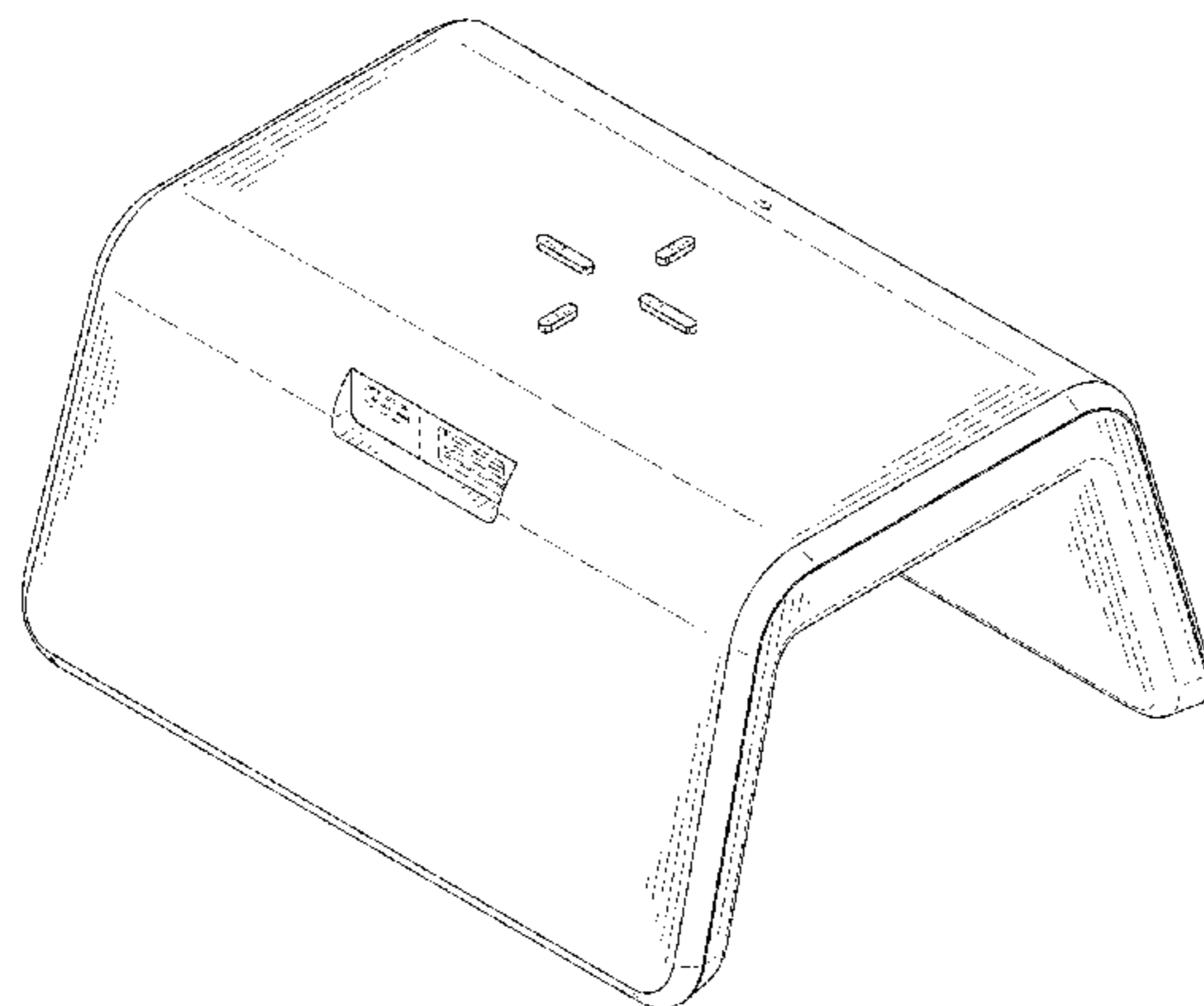
The ornamental design for an alarm clock with wireless charging function, as shown and described.

DESCRIPTION

FIG. 1 is a top, rear and left side perspective view of an alarm clock with wireless charging function showing my new design;
FIG. 2 is a bottom, front and right side perspective view thereof;
FIG. 3 is a rear elevational view thereof;
FIG. 4 is a front elevational view thereof;
FIG. 5 is a right side view thereof;
FIG. 6 is a left side view thereof;
FIG. 7 is a top plan view thereof;
FIG. 8 is a bottom plan view thereof;
FIG. 9 is an enlarged view of the portion as defined by the circle 9 in FIG. 2; and,
FIG. 10 is a top, front and right side perspective view showing the alarm clock with wireless charging function in a use state.

The broken lines shown in the drawings depicting portions of the alarm clock with wireless charging function in FIGS. 1-10 form no part of the claimed design. The broken lines shown in the drawings depicting a cell phone in FIG. 10 illustrate environment and form no part of the claimed design.

1 Claim, 10 Drawing Sheets



(56)

References Cited

U.S. PATENT DOCUMENTS

D360,139 S *	7/1995	Pistilli	D10/15
D549,707 S *	8/2007	Depay	D14/434
D583,360 S *	12/2008	Gredler	D10/2
D643,313 S *	8/2011	Bulsink	D10/15
D693,246 S *	11/2013	Richenberger	D10/41
D709,858 S *	7/2014	Kim	D14/171
D832,782 S *	11/2018	Leabman	D13/108
D832,783 S *	11/2018	Leabman	D13/108
D844,594 S *	4/2019	Karakasiliotis	D14/240
D876,965 S *	3/2020	Long	D10/2
D881,022 S *	4/2020	Long	D10/2

* cited by examiner

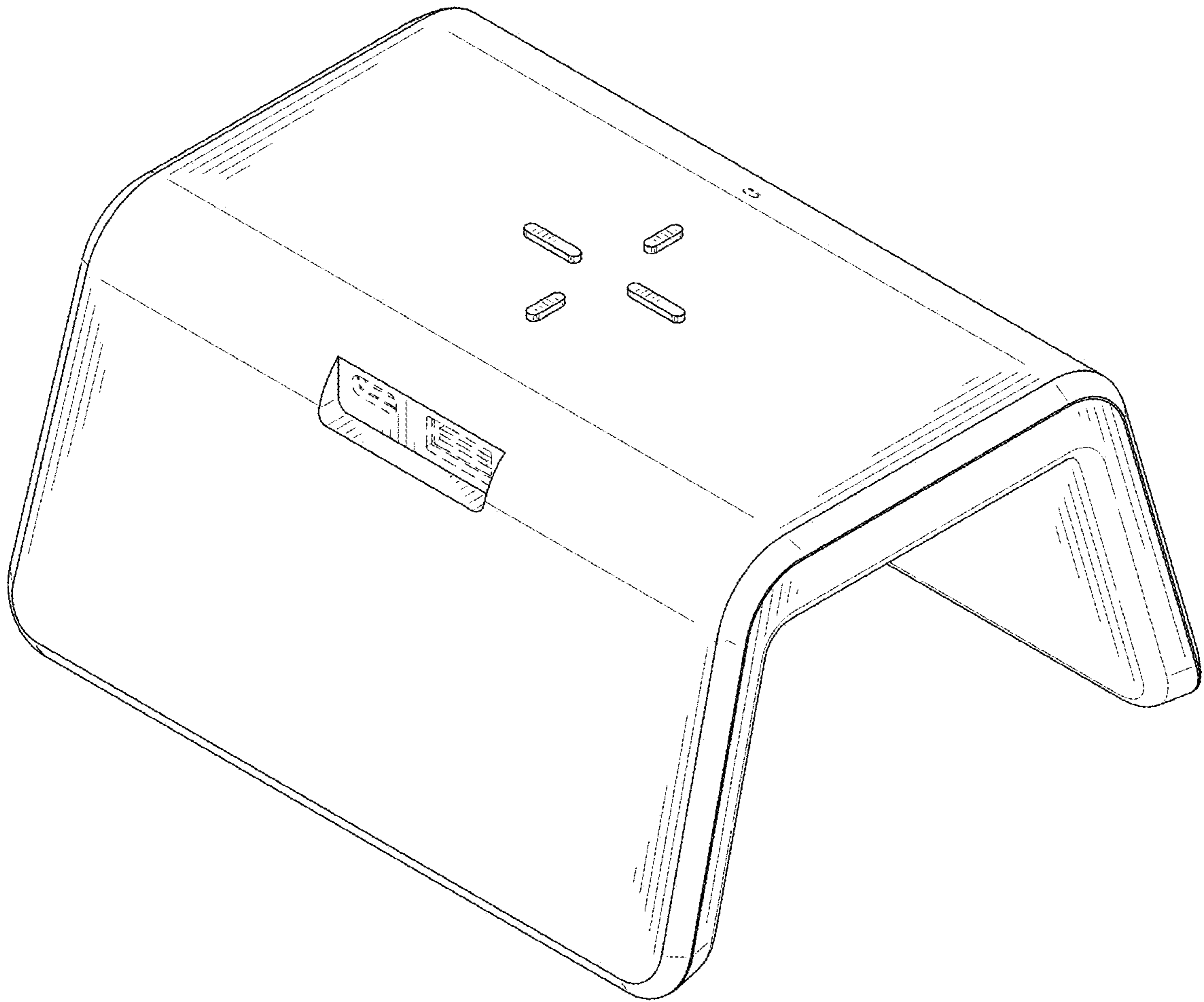


FIG. 1

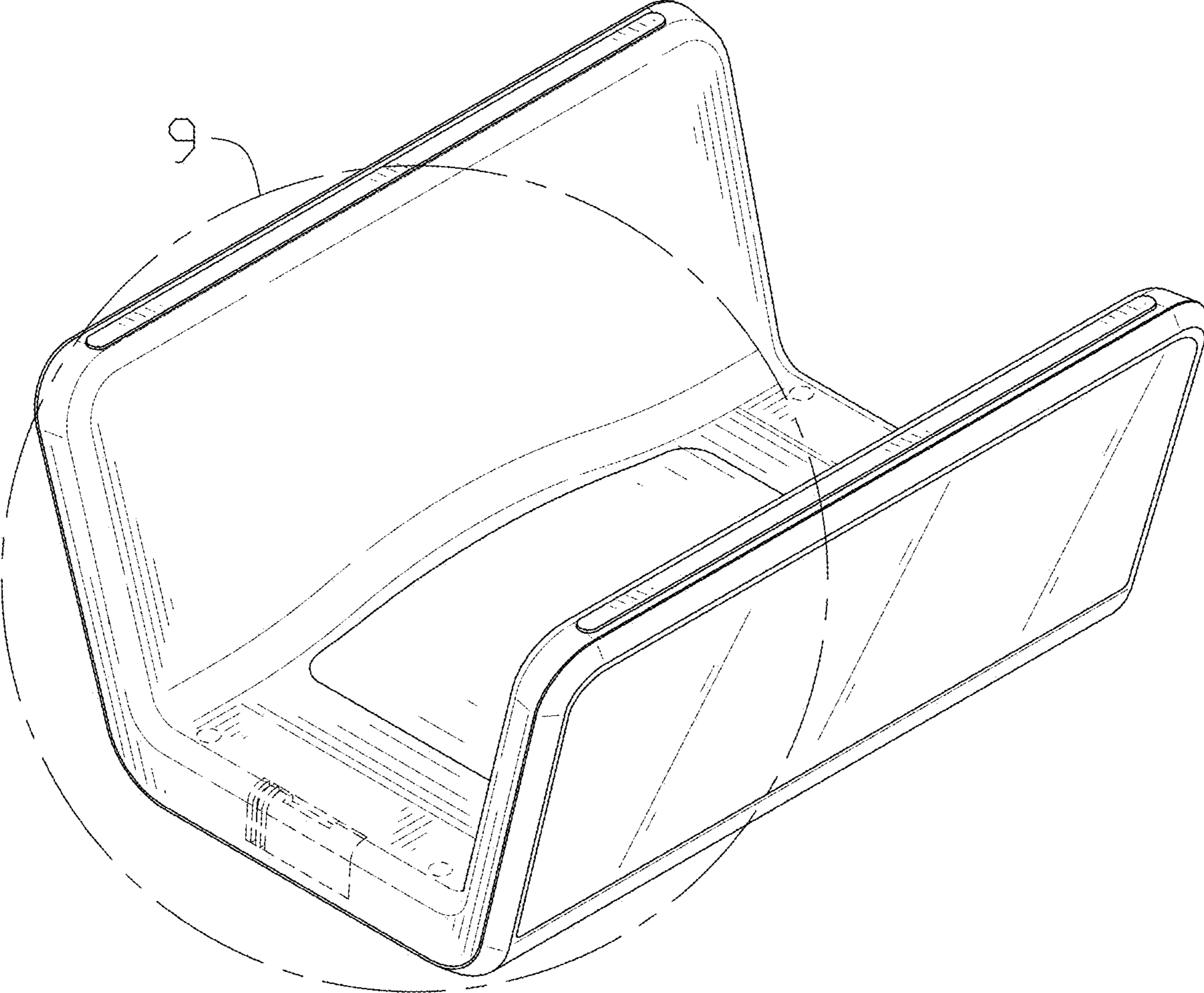


FIG. 2

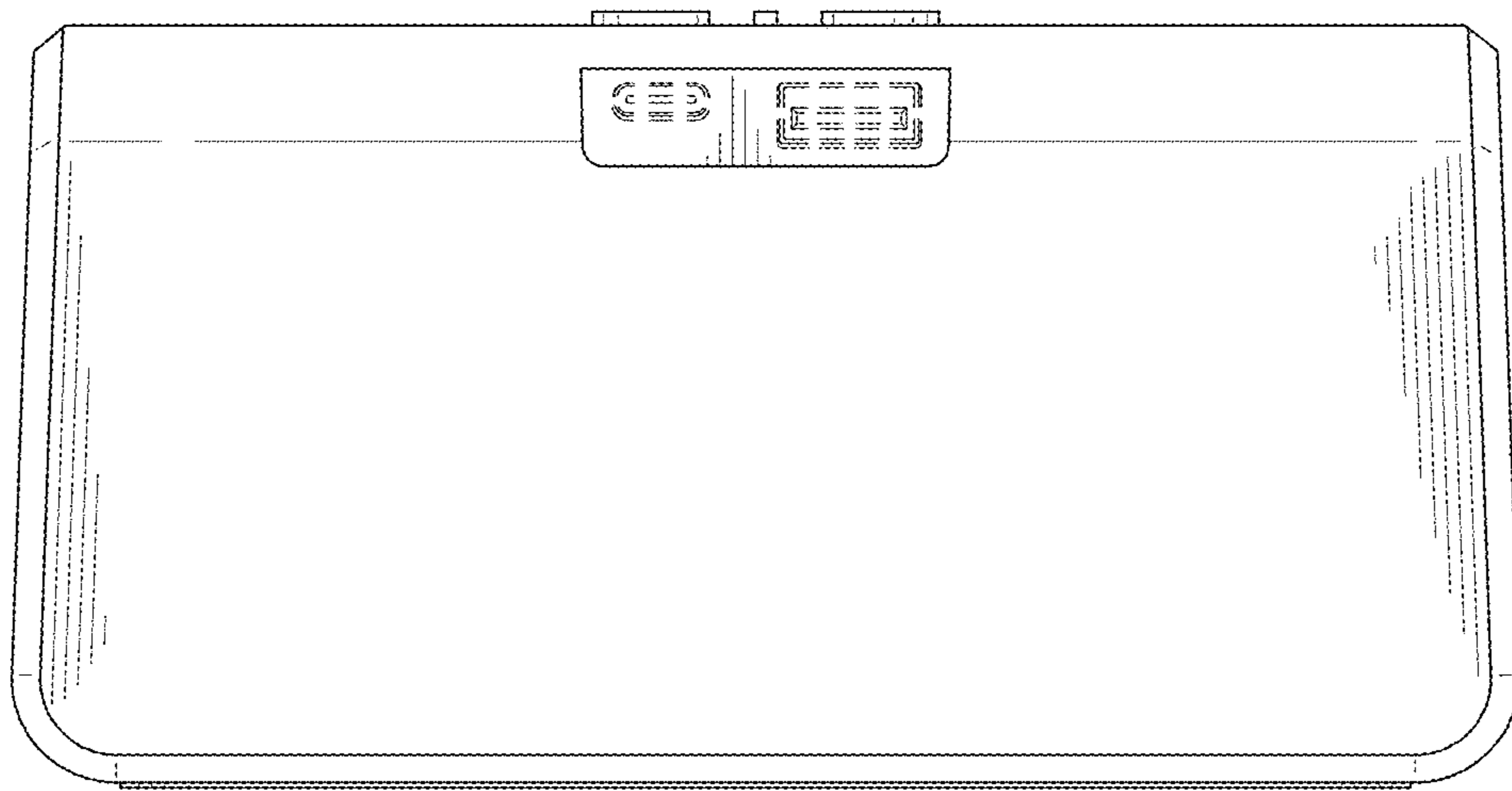


FIG. 3

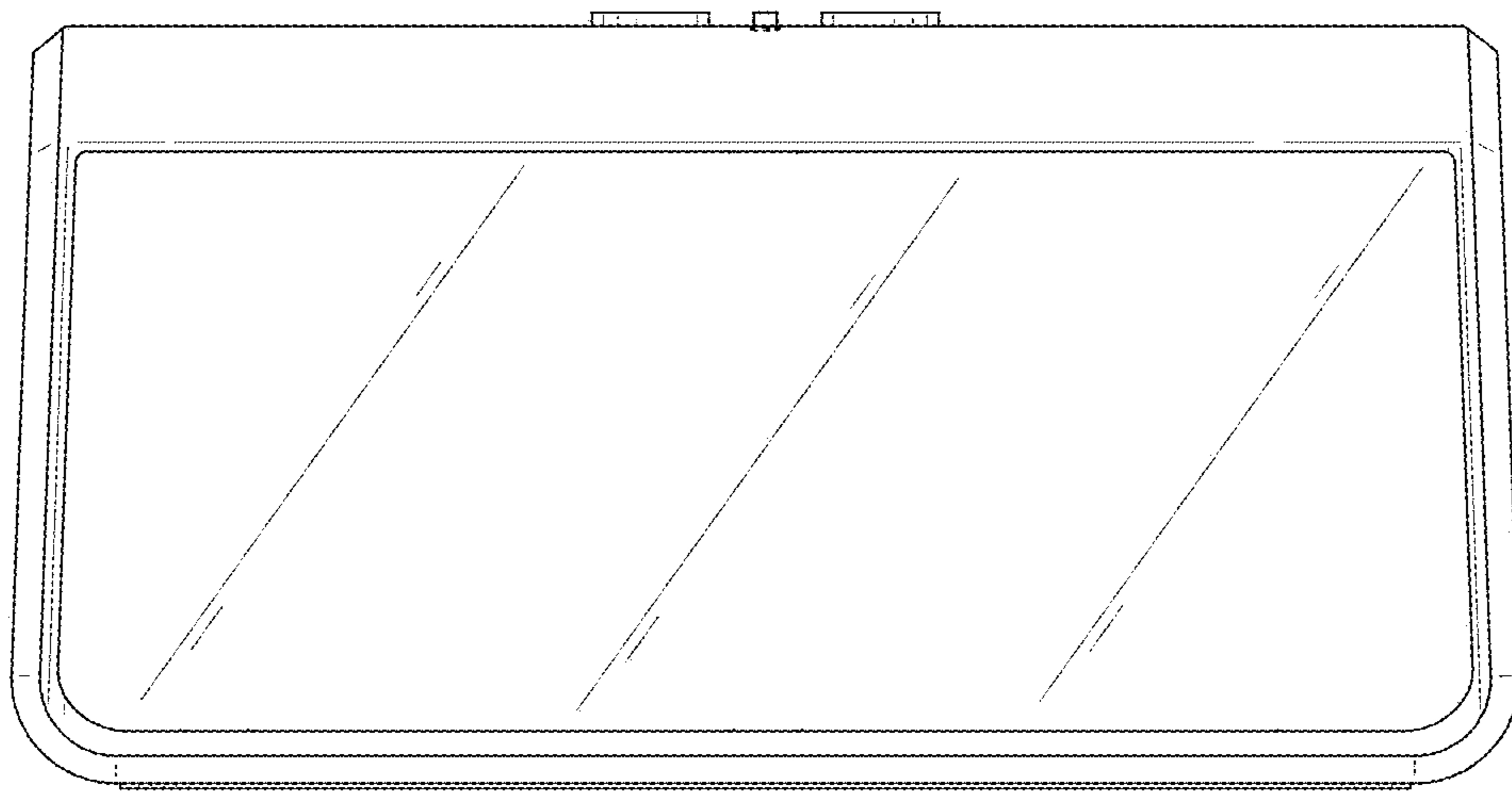


FIG. 4

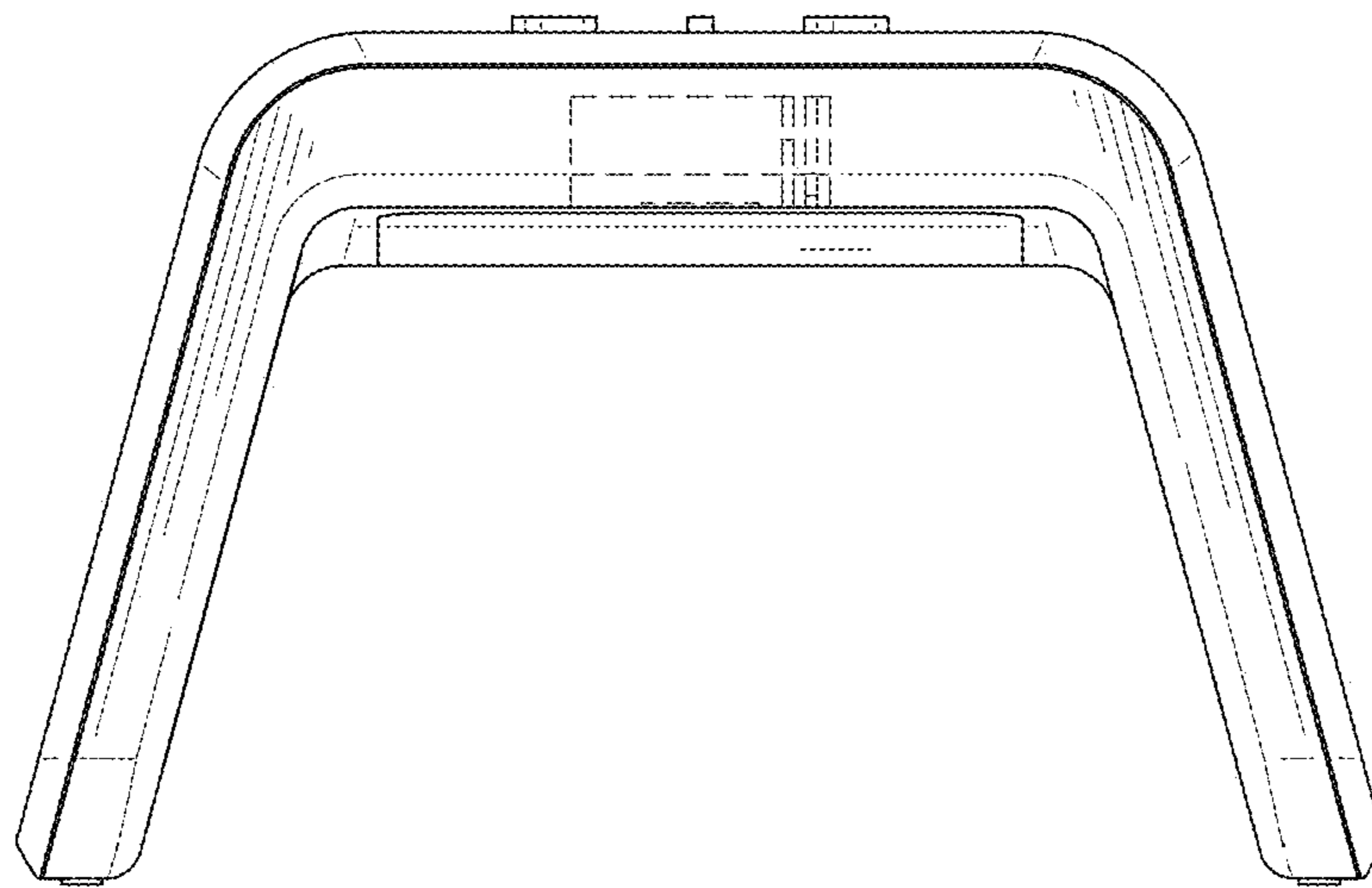


FIG. 5

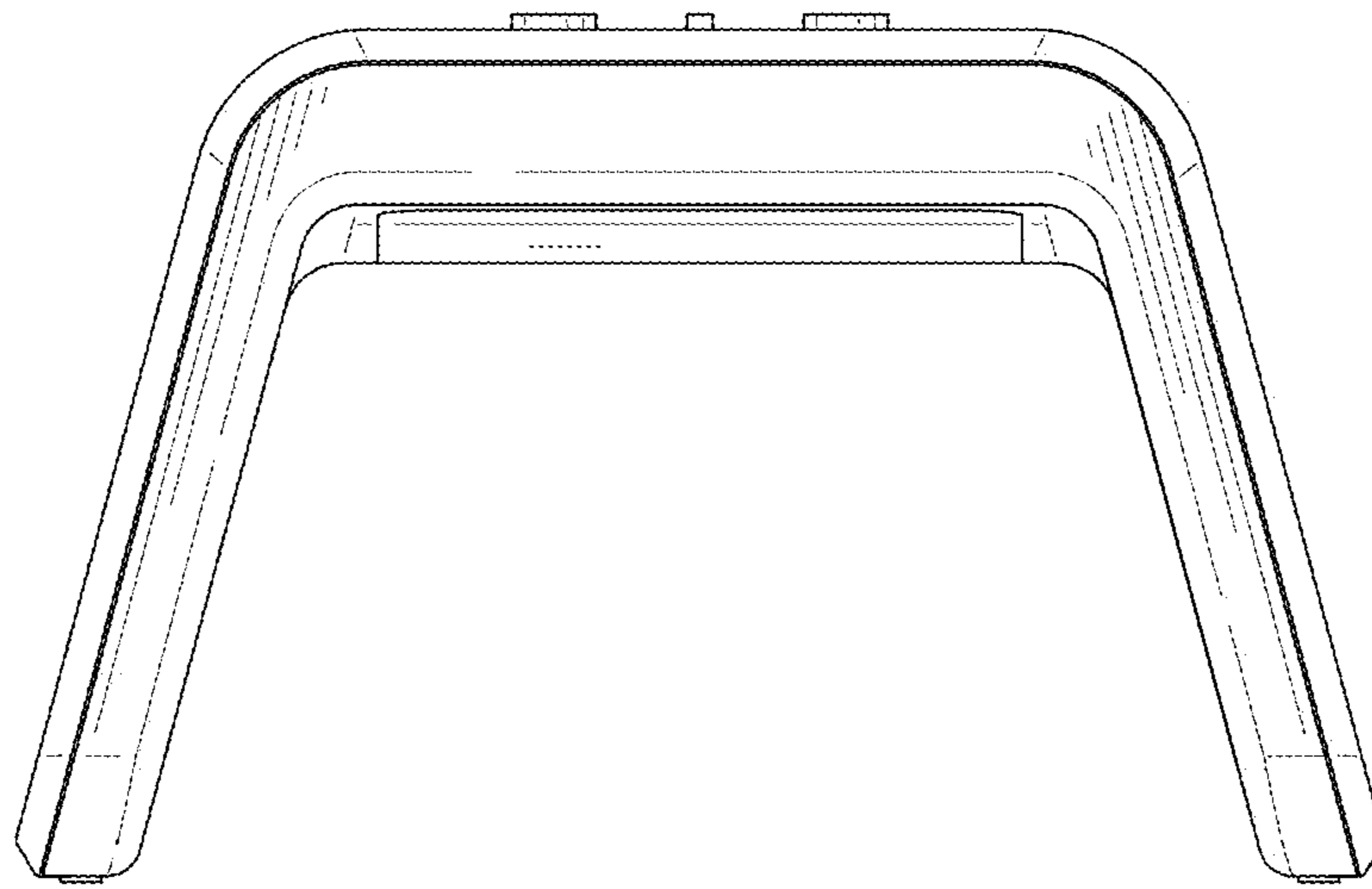


FIG. 6

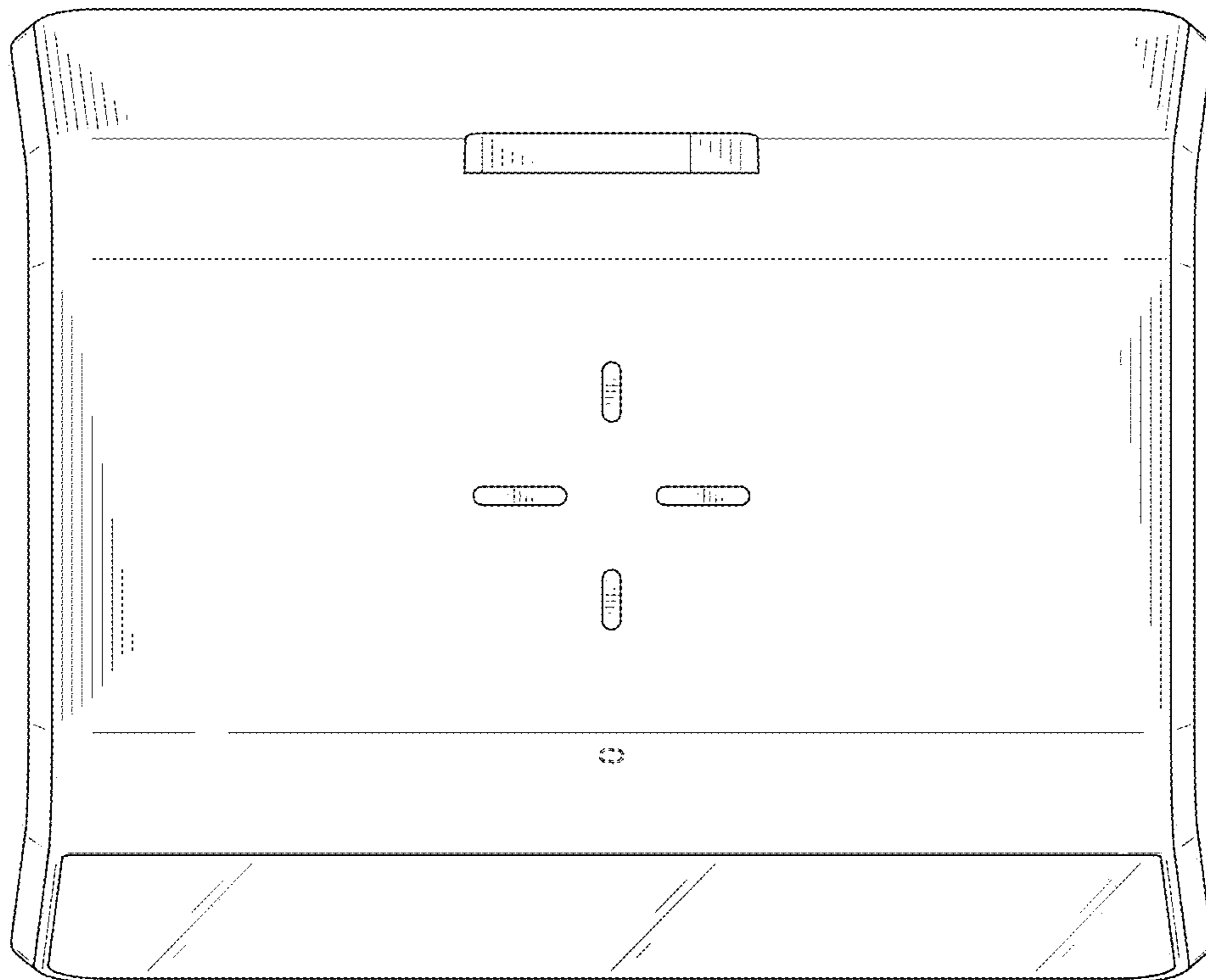


FIG. 7

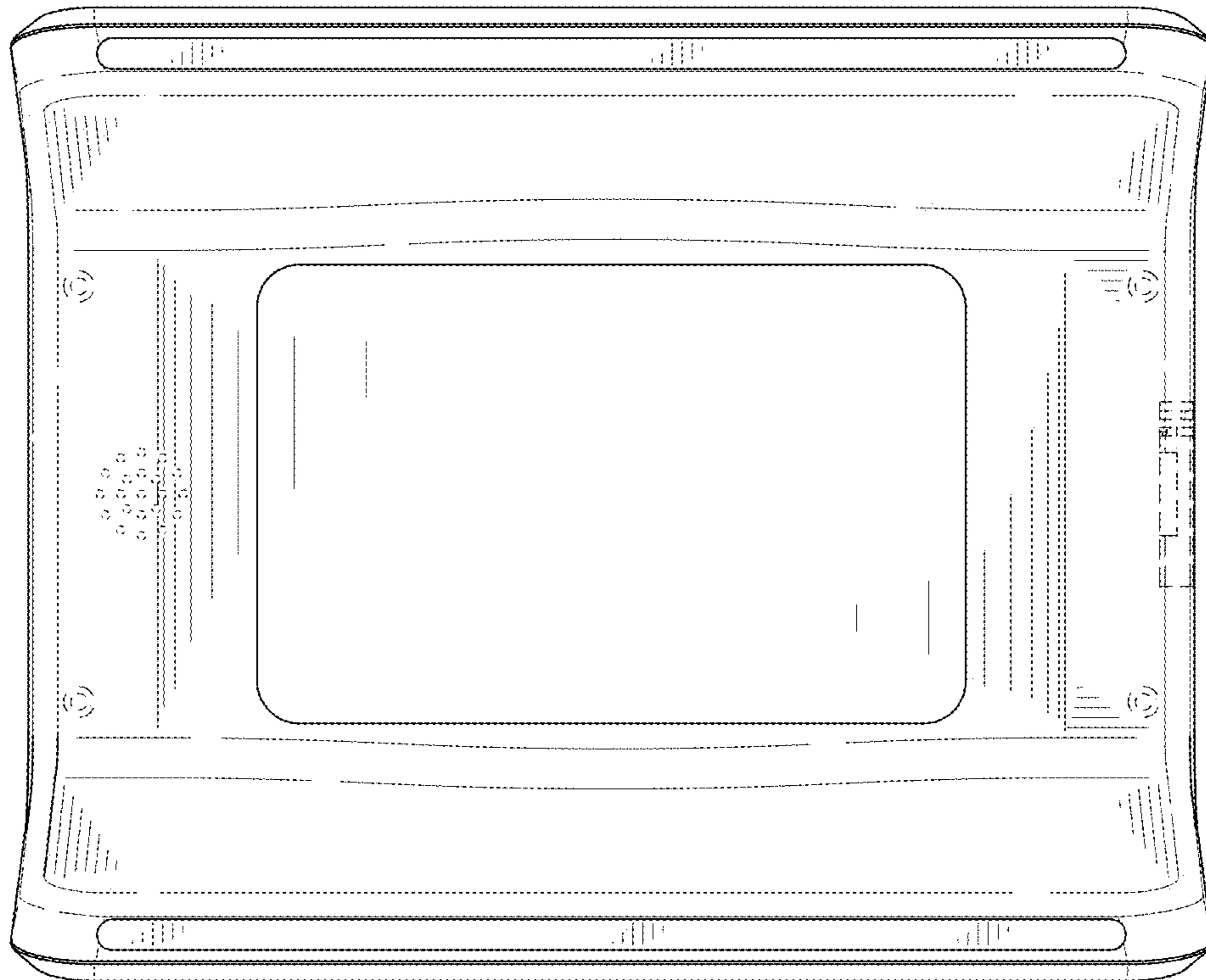


FIG. 8

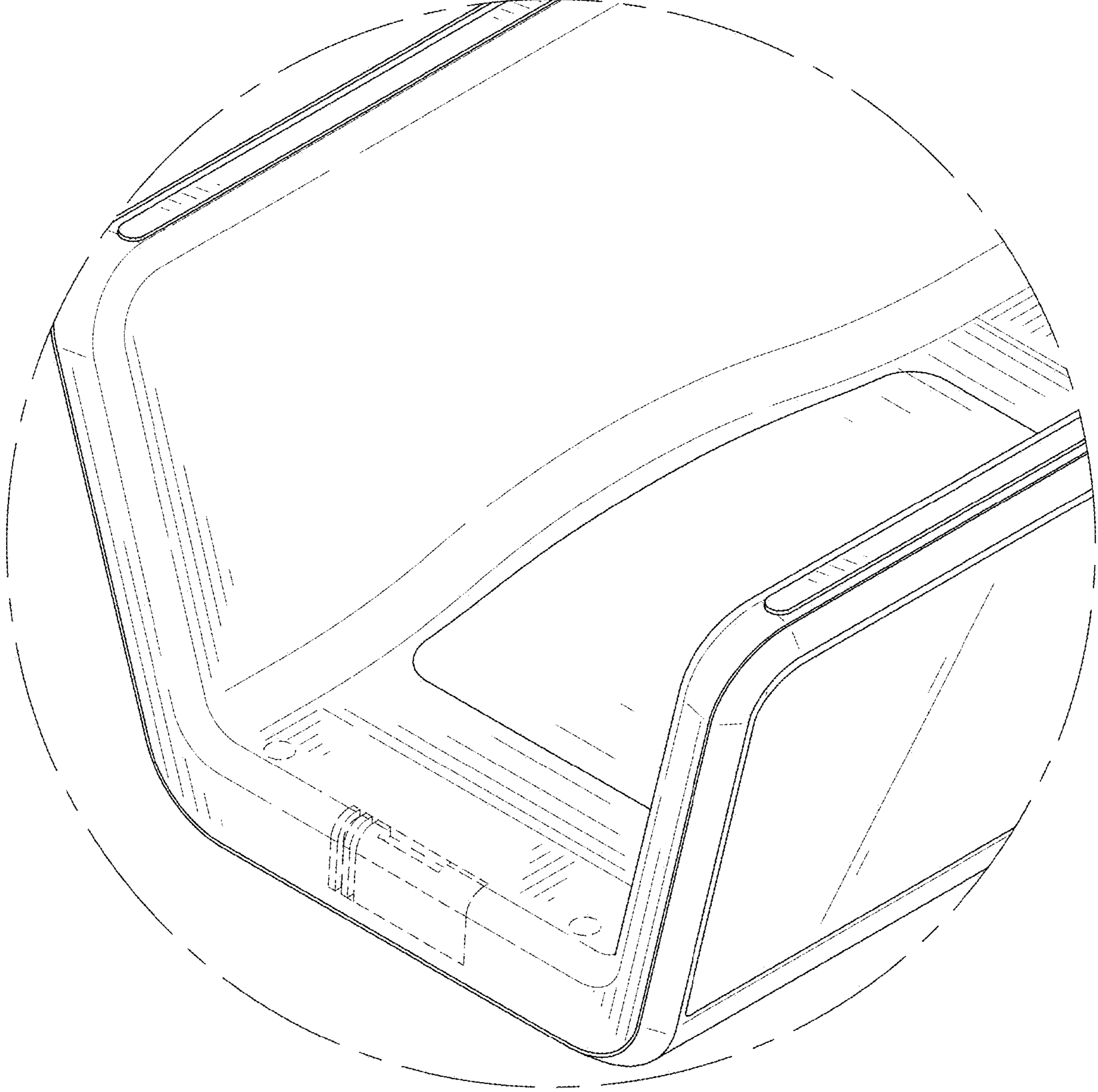


FIG. 9

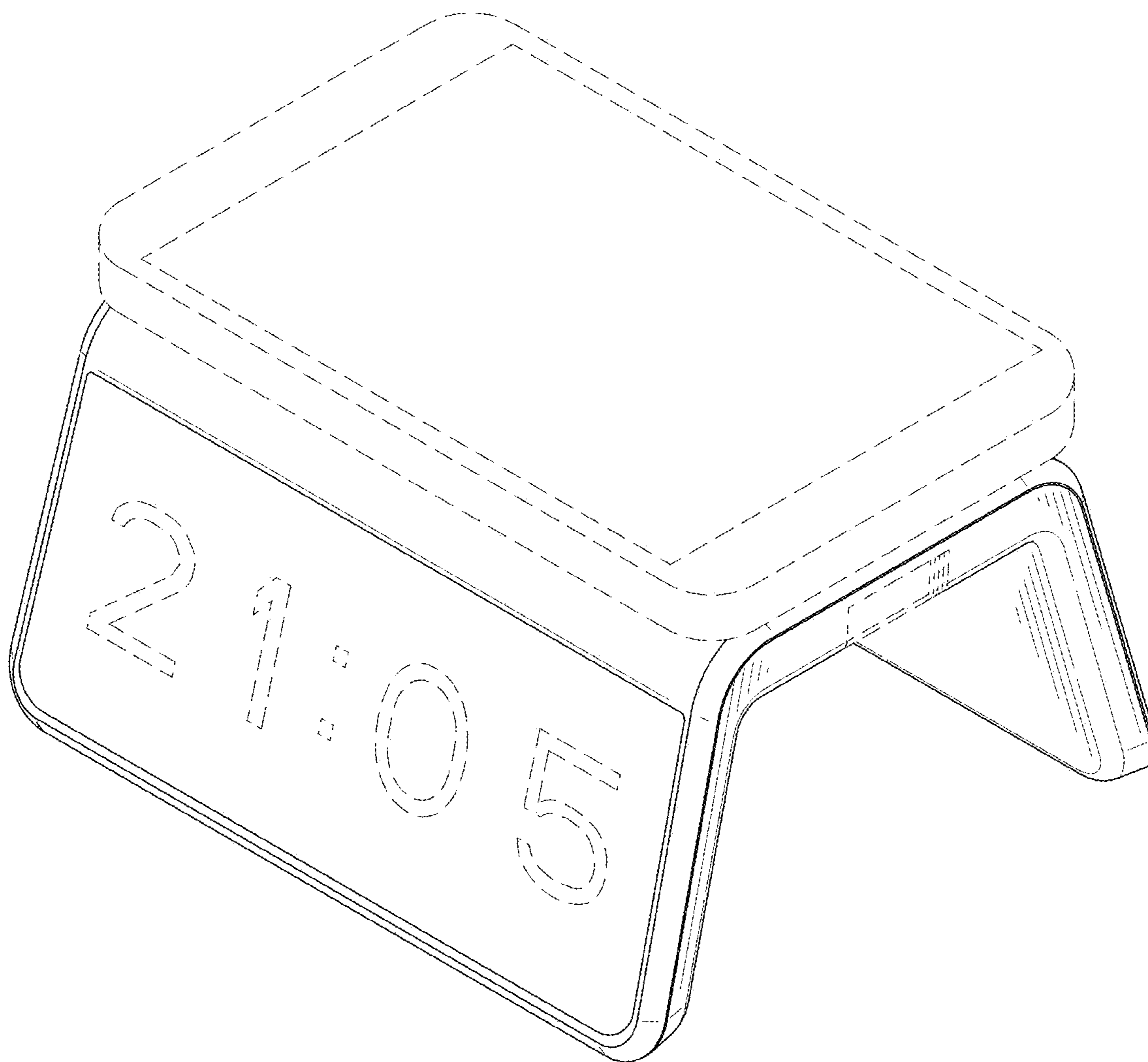


FIG. 10