



US00D898583S

(12) **United States Design Patent**
Beardsall et al.

(10) **Patent No.:** **US D898,583 S**

(45) **Date of Patent:** **** Oct. 13, 2020**

(54) **POP UP PACKET**

(71) Applicants: **Ashley Beardsall**, Telford (GB); **Barry Stephens**, Dorking (GB); **Richard Sargent**, Dorking (GB)

(72) Inventors: **Ashley Beardsall**, Telford (GB); **Barry Stephens**, Dorking (GB); **Richard Sargent**, Dorking (GB)

(**) Term: **15 Years**

(21) Appl. No.: **29/680,370**

(22) Filed: **Feb. 15, 2019**

(30) **Foreign Application Priority Data**

Aug. 17, 2018 (EM) 005611837

(51) **LOC (12) Cl.** **09-05**

(52) **U.S. Cl.**
USPC **D9/702; D19/3**

(58) **Field of Classification Search**
USPC D9/702-714, 414-415, 417-418, 737, D9/424, 430-433, 730-732, 756, 761; D7/549, 553.2, 590, 602; D3/201, 203.1, D3/203.3, 303, 202; 206/527, 4.27, 807, 206/260, 811, 103, 203, 207; 220/23.4, 220/500, 666; 229/120.02, 120.011, 229/87.06; 426/114-115, 119, 120; 222/92, 107, 215, 206
CPC B65D 85/00; B65D 75/00; B65D 33/00; B65D 33/04; B65D 33/24; B65D 33/16; B65D 33/12; B65D 33/008; B65D 25/04; B42D 15/00; B42D 15/02; B42D 15/04; B42D 15/022; B42D 15/042; B42D 15/045; G09F 1/00; G09F 1/04; G09F 1/0608

See application file for complete search history.

(56) **References Cited**

U.S. PATENT DOCUMENTS

D547,674 S * 7/2007 Donovan A61J 7/0007
D9/707

D643,745 S * 8/2011 Hartley D9/707

(Continued)

Primary Examiner — Abraham Bahta

(74) *Attorney, Agent, or Firm* — Ira Domnitz

(57) **CLAIM**

The ornamental design for a pop up packet, as shown and described.

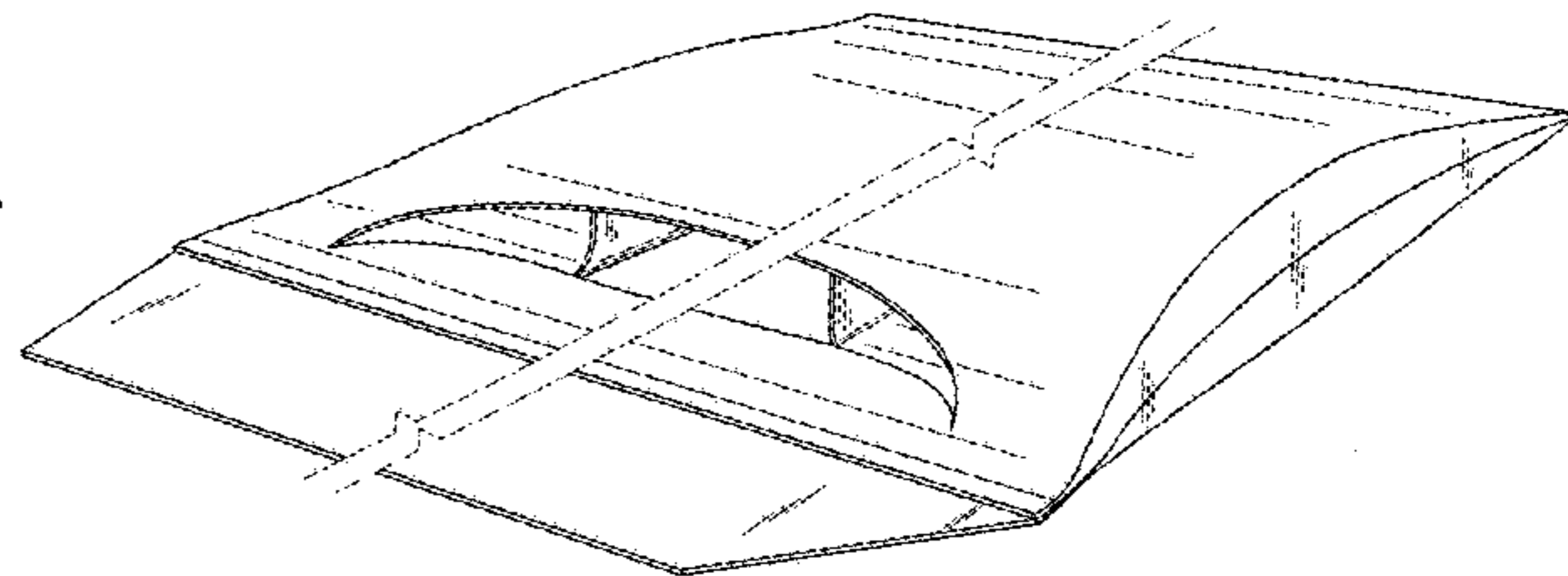
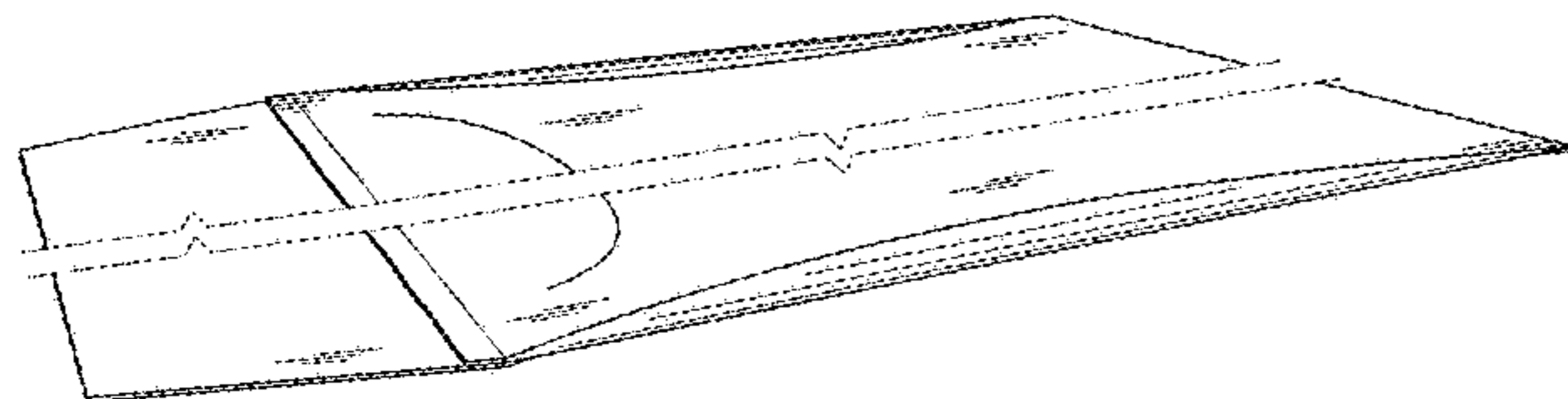
DESCRIPTION

FIG. 1 is a perspective view of the pop-up packet in a flat condition showing our new design; FIG. 2 is a front view thereof; FIG. 3 is a back view thereof; FIG. 4 is a left side view thereof; FIG. 5 is a right side view thereof; FIG. 6 is a top view thereof; FIG. 7 is a bottom view thereof; FIG. 8 is a perspective view of the pop-up packet wherein the packet is in a popped up condition; FIG. 9 is a front view thereof; FIG. 10 is a back view thereof; FIG. 11 is a left side view thereof; FIG. 12 is a right side view thereof; FIG. 13 is a left side view thereof; and, FIG. 14 is a right side view thereof.

The characteristic features of the design reside in the curved, folding side portions and the internal flaps that allow the packet to move between, and stay in, popped-up and flat positions; the pouch or channel formed within the packet by the internal flaps in the popped-up position; and also in the curved slit opening that is spaced away from the fold line between the packet body and the packet sealing flap.

The dash-dot-dash broken line showing of portions of the pop-up packet is included for the purpose of illustrating that the packet has no specific size and forms no part of the claimed design.

1 Claim, 10 Drawing Sheets



(56)

References Cited

U.S. PATENT DOCUMENTS

D756,801 S * 5/2016 Fenech, III D9/707
D836,715 S * 12/2018 Wang D19/3

* cited by examiner

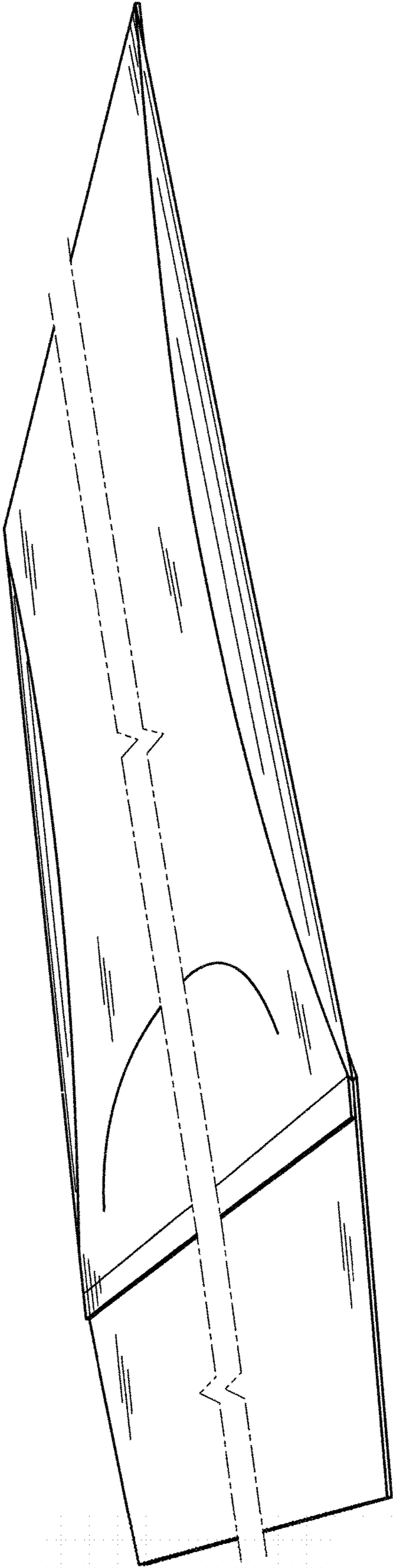


Fig. 1

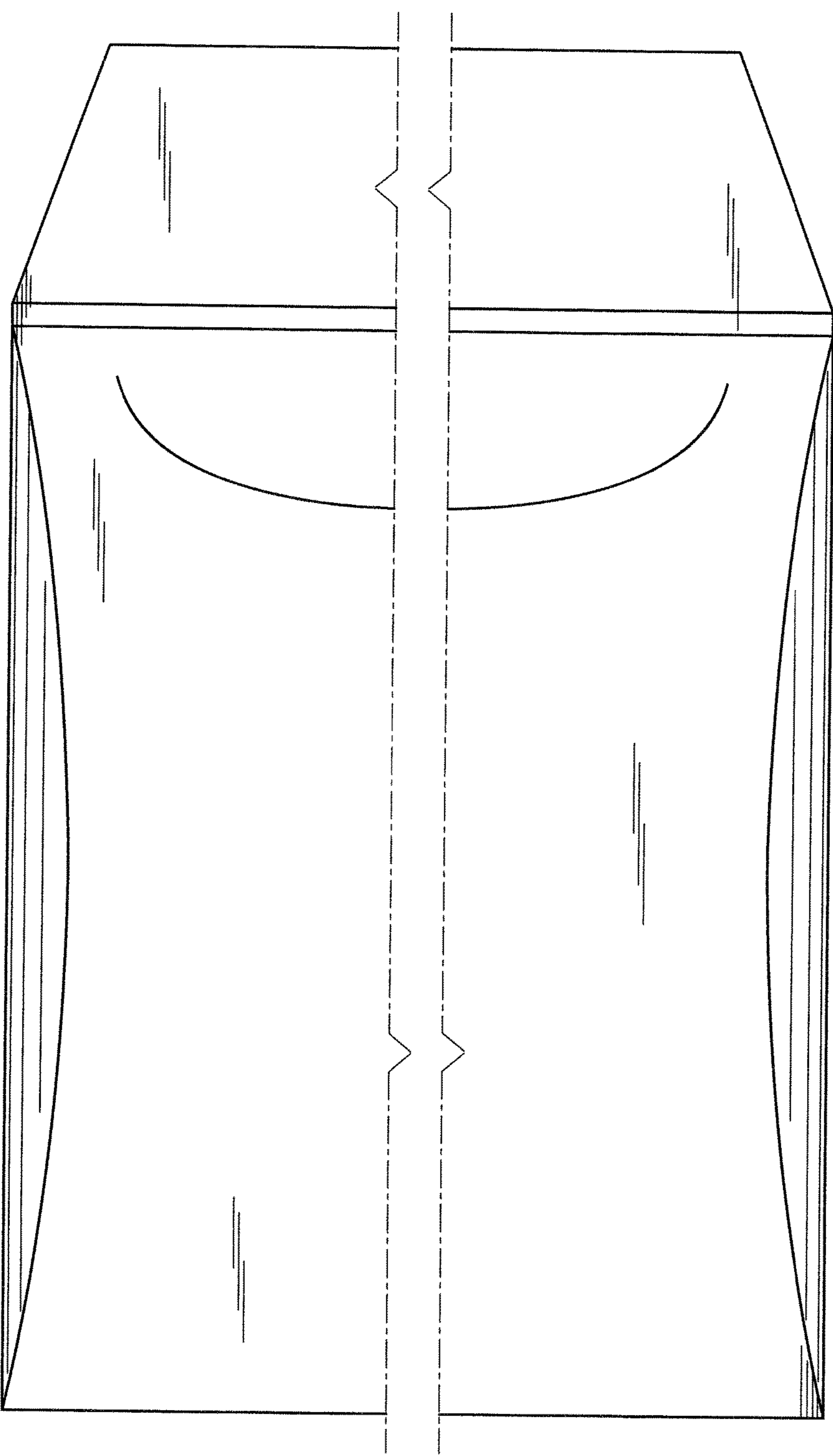


Fig. 2

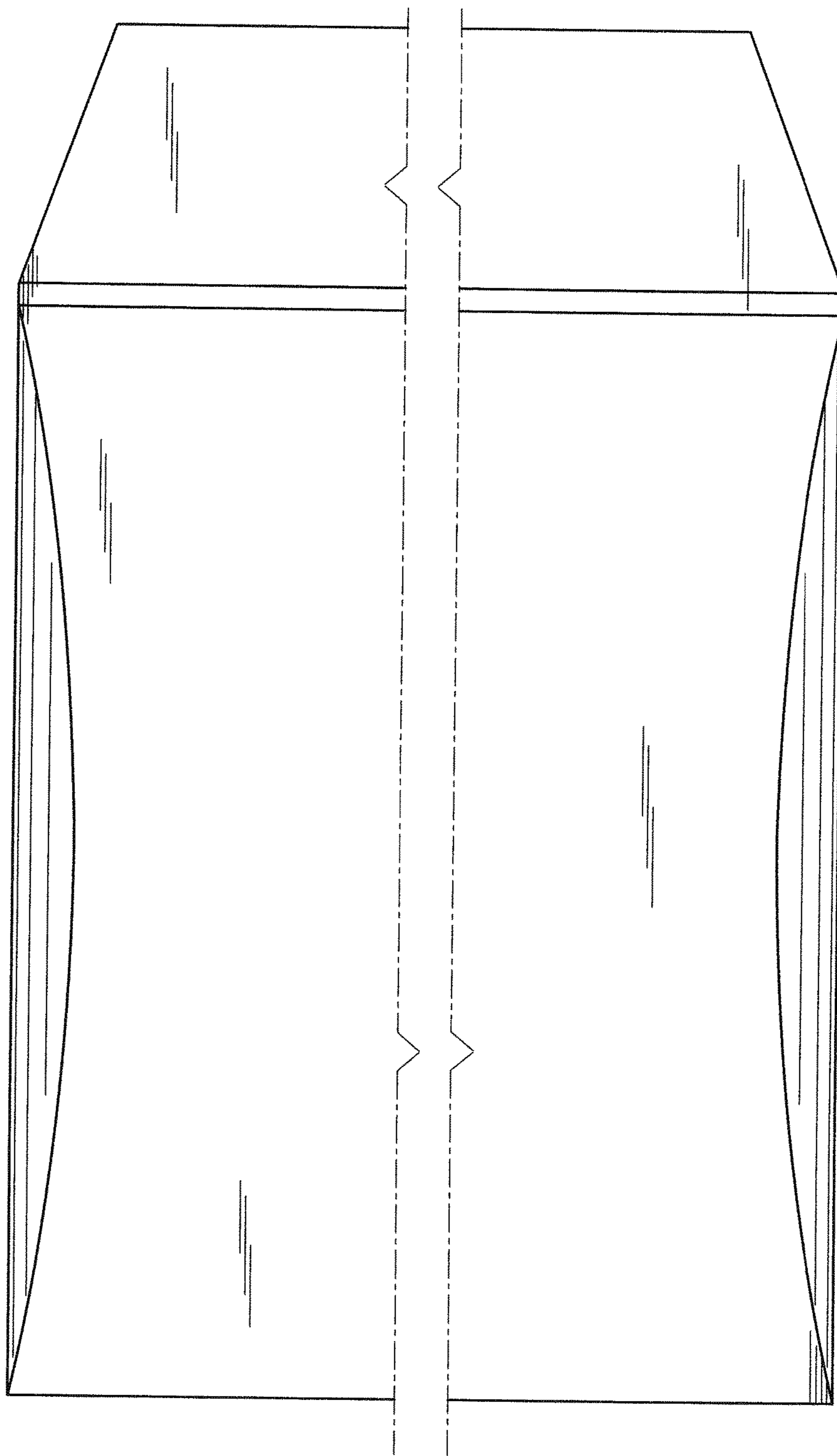


Fig. 3

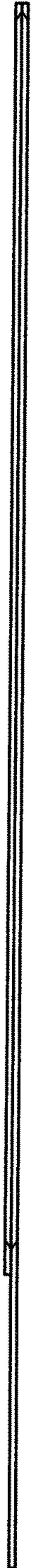


Fig. 4



Fig. 5

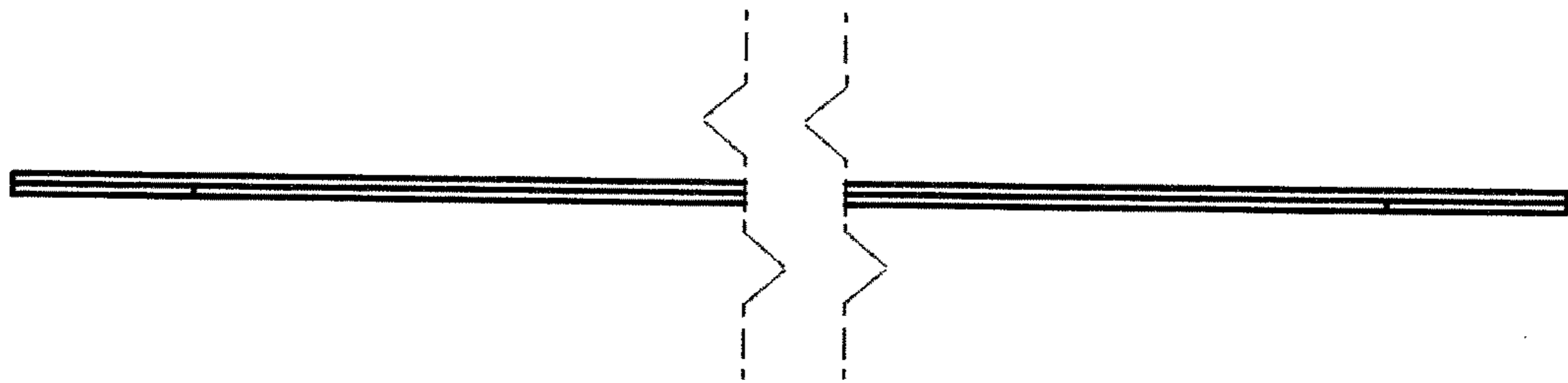


Fig. 6

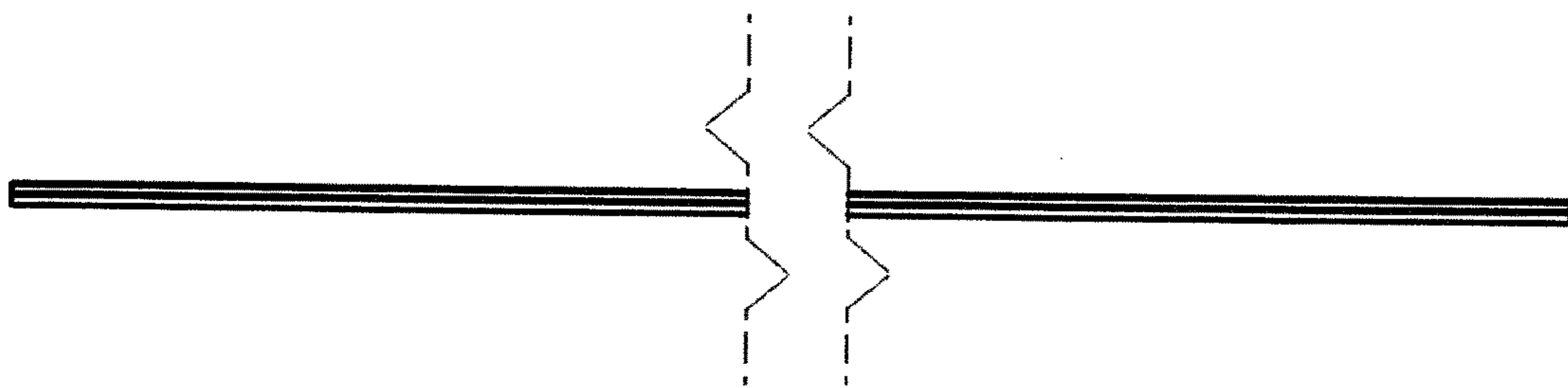


Fig. 7

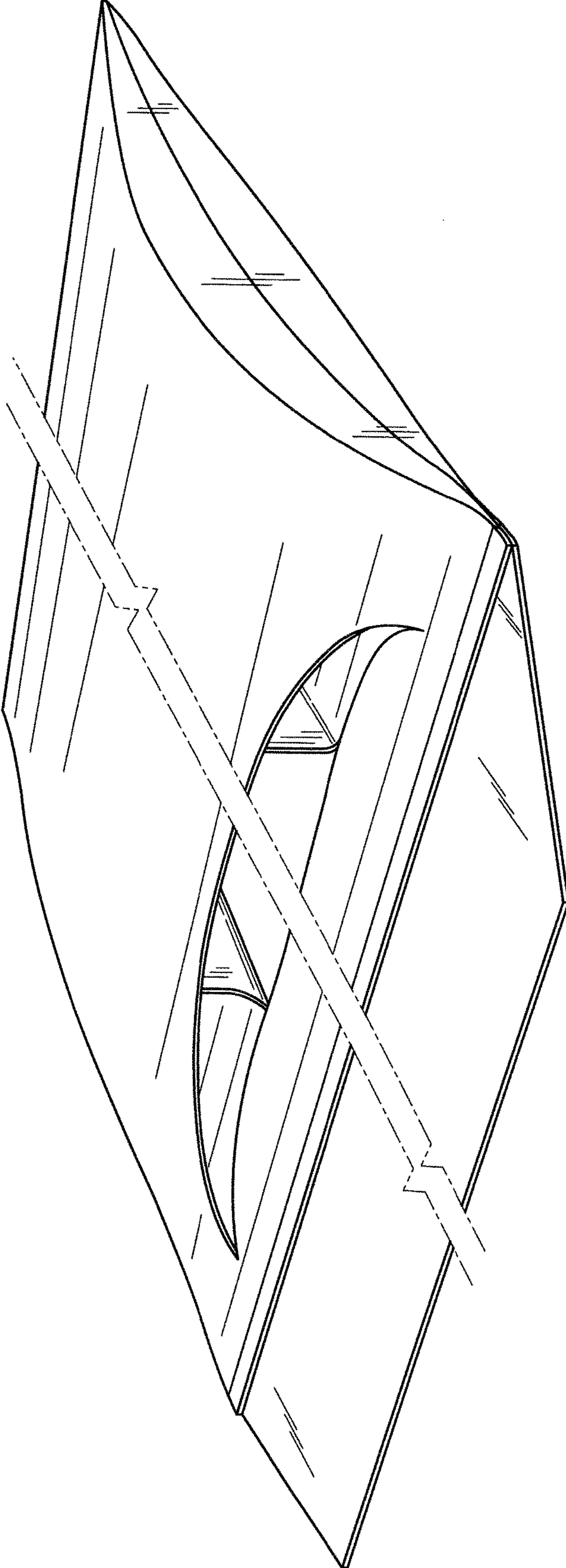


Fig. 8

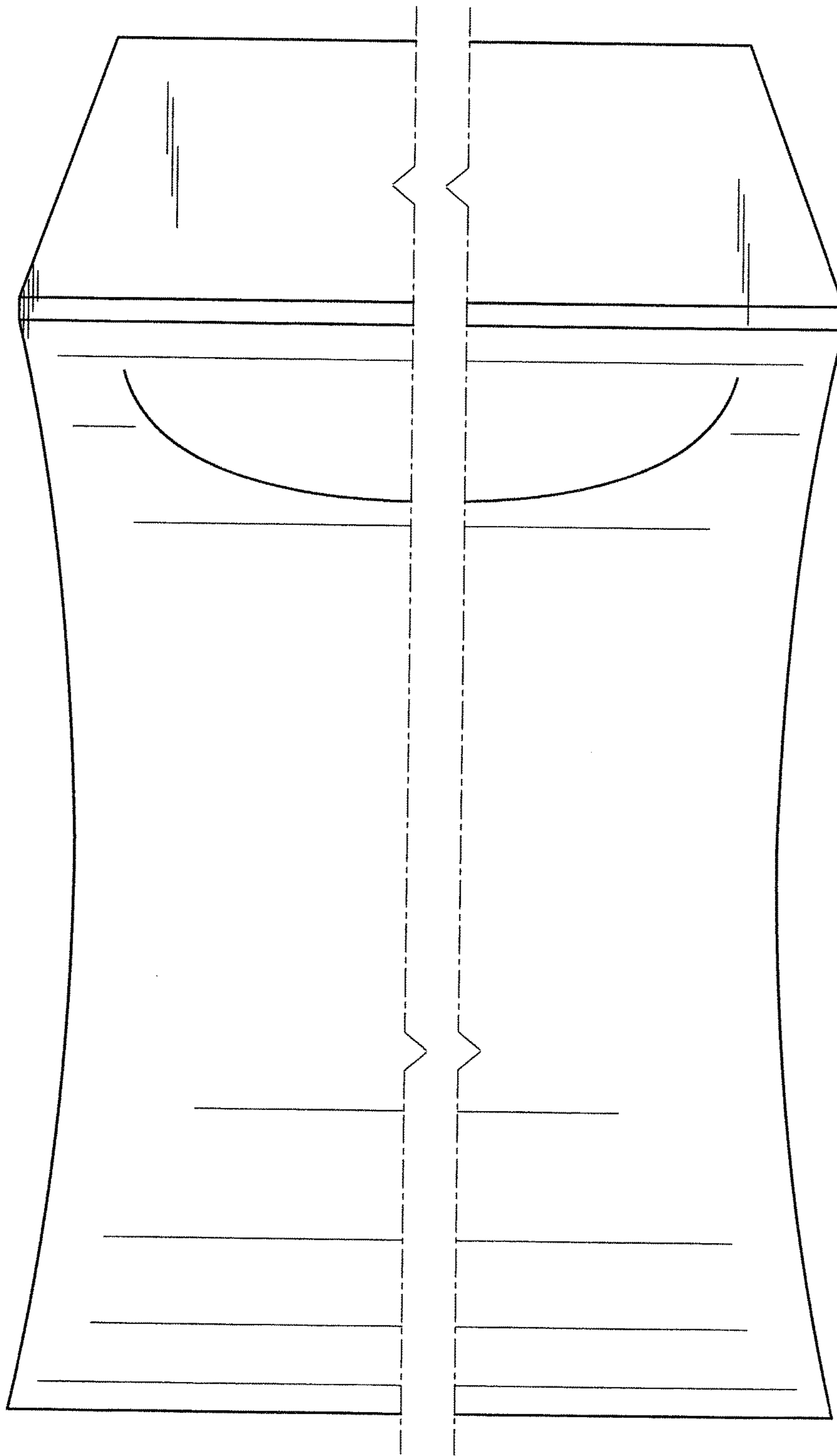


Fig. 9

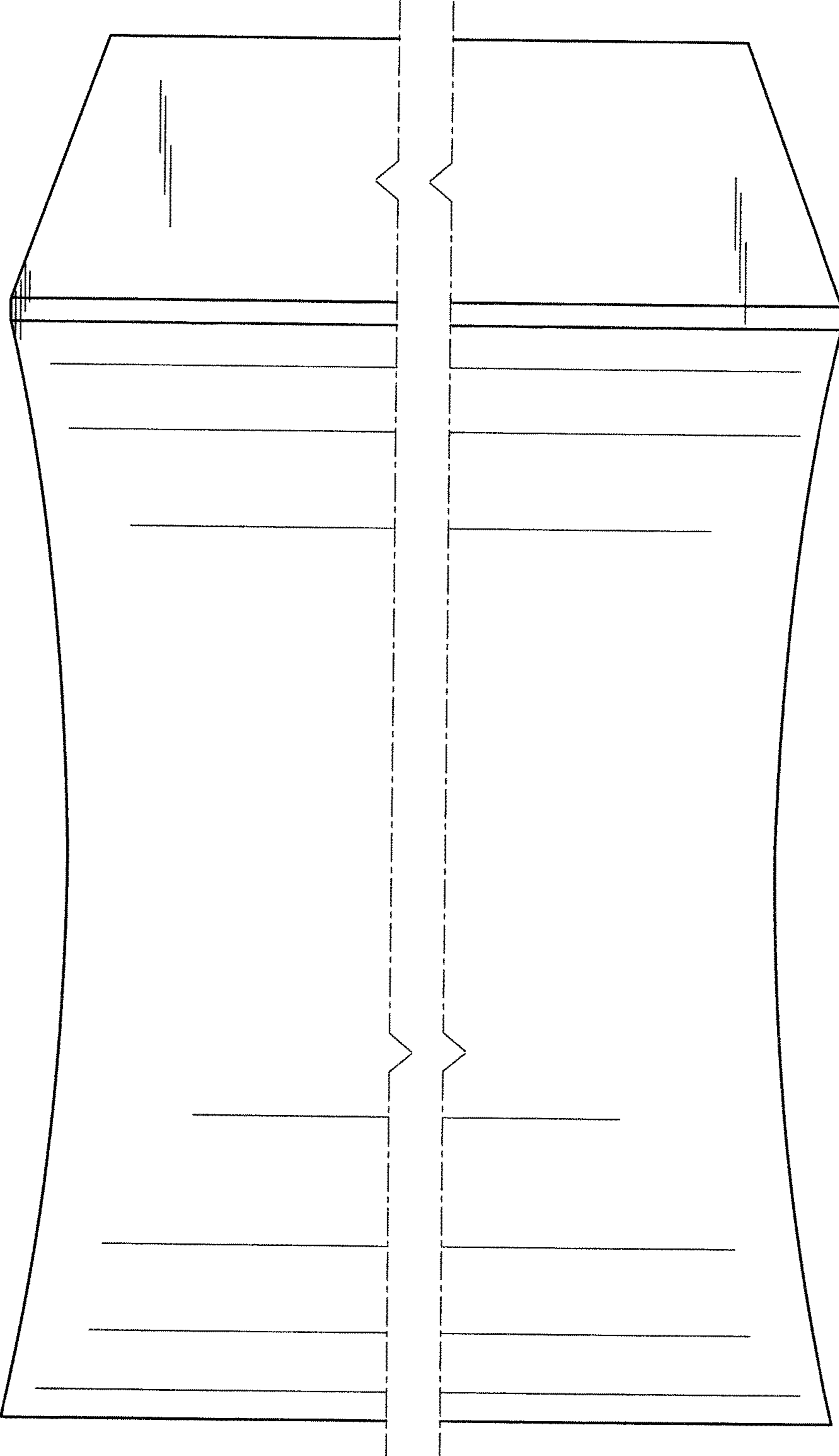


Fig. 10

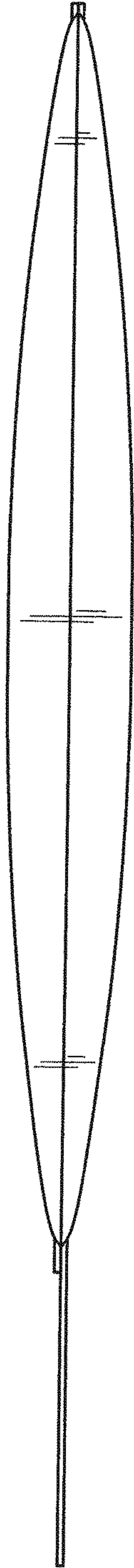


Fig. 11

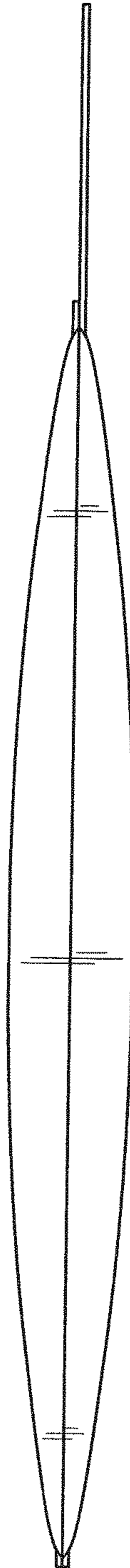


Fig. 12

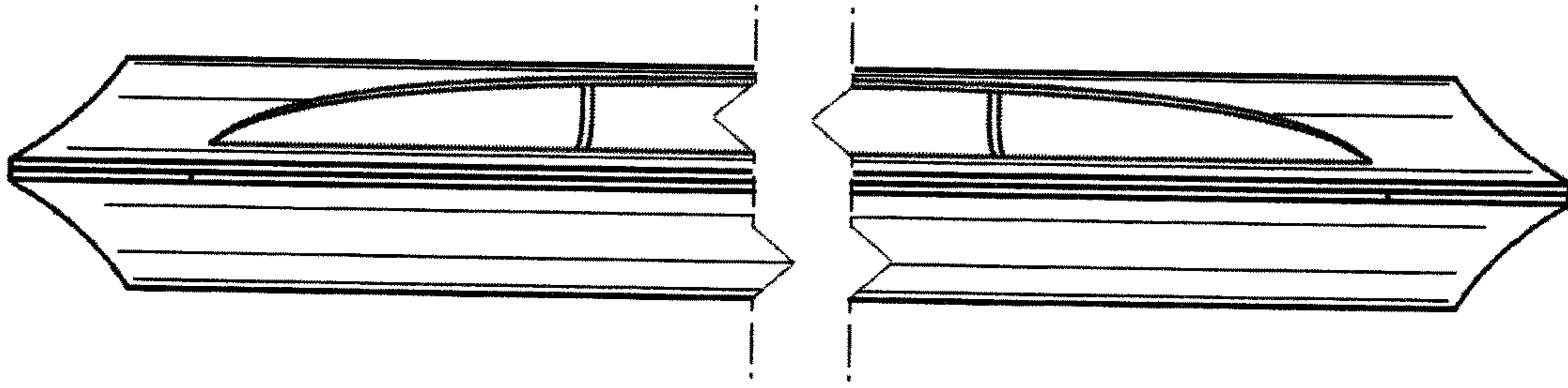


Fig. 13

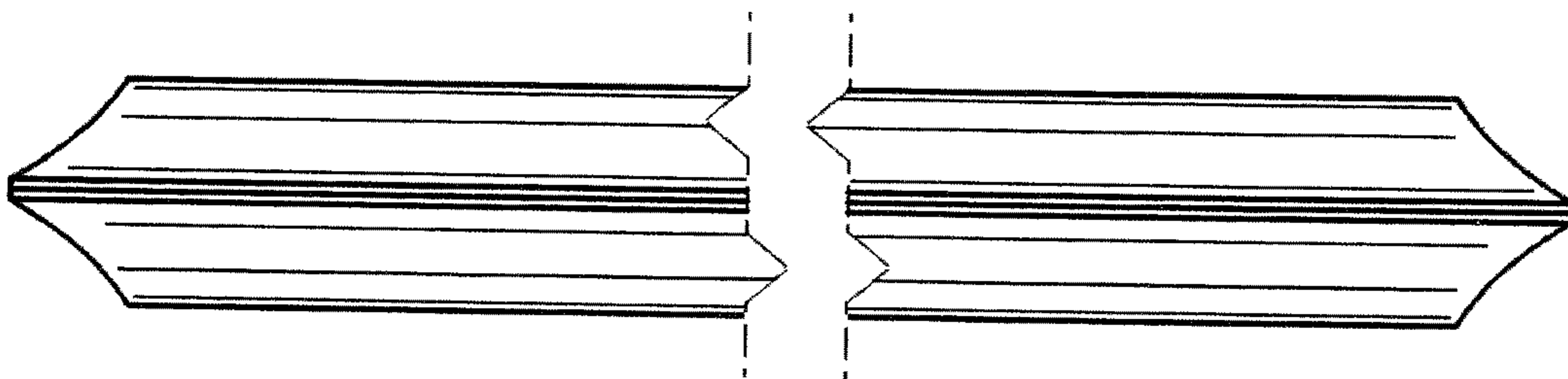


Fig. 14