



US00D898577S

(12) **United States Design Patent** (10) **Patent No.:** **US D898,577 S**
Danyluk et al. (45) **Date of Patent:** **** Oct. 13, 2020**

(54) **BOTTLE**
(71) Applicant: **TARGET BRANDS, INC.**,
Minneapolis, MN (US)
(72) Inventors: **Casey M. Danyluk**, Minneapolis, MN
(US); **Michael M. Habig**, Cincinnati,
OH (US)
(73) Assignee: **TARGET BRANDS, INC.**,
Minneapolis, MN (US)
(**) Term: **15 Years**

D303,628 S 9/1989 Beaver
4,917,269 A * 4/1990 Fuchs B65D 41/04
141/381
D314,703 S 2/1991 Segati
D317,866 S 7/1991 Dever et al.
D326,052 S 5/1992 Beechuk et al.
5,122,399 A 6/1992 Farrell et al.
D359,906 S 7/1995 Carre et al.
D379,929 S 6/1997 Dallaire
D429,162 S * 8/2000 Manderfield, Jr. D9/528
D611,826 S 3/2010 Kuroki et al.
D649,882 S 12/2011 Fleischhacker et al.
D658,500 S 5/2012 Haupt

(Continued)

(21) Appl. No.: **29/689,096**
(22) Filed: **Apr. 26, 2019**
(51) **LOC (12) Cl.** **09-01**
(52) **U.S. Cl.**
USPC **D9/528**
(58) **Field of Classification Search**
USPC D9/434, 435, 453-454, 516, 523, 528,
D9/530-531, 543, 563, 571, 575, 682,
D9/685, 715, 719; D23/211.1, 211.2
CPC B65D 1/00; B65D 1/02; B65D 1/0223;
B65D 1/023; B65D 1/40; B65D 23/00;
B65D 23/10; B65D 23/102; B65D 25/00;
B65D 25/28; B65D 25/2882; B65D
25/2888; B65D 25/2894; B65D 25/2897;
B65D 2501/00; B65D 2501/0009; B65D
2501/0081; B05B 11/0037
See application file for complete search history.

OTHER PUBLICATIONS

“Dapple Baby Laundry Detergent Fragrance Free, 100 Ounce”,
printed from www.amazon.com/dp/B00LTEXFVW?tag=thez9youra-20,
publicly available at least as early as Nov. 11, 2012 (9 pages).

(Continued)

Primary Examiner — Dana Meyrow
(74) *Attorney, Agent, or Firm* — JoAnn M. Seaton;
Griffiths & Seaton PLLC

(57) **CLAIM**

The ornamental design for a bottle, as shown and described.

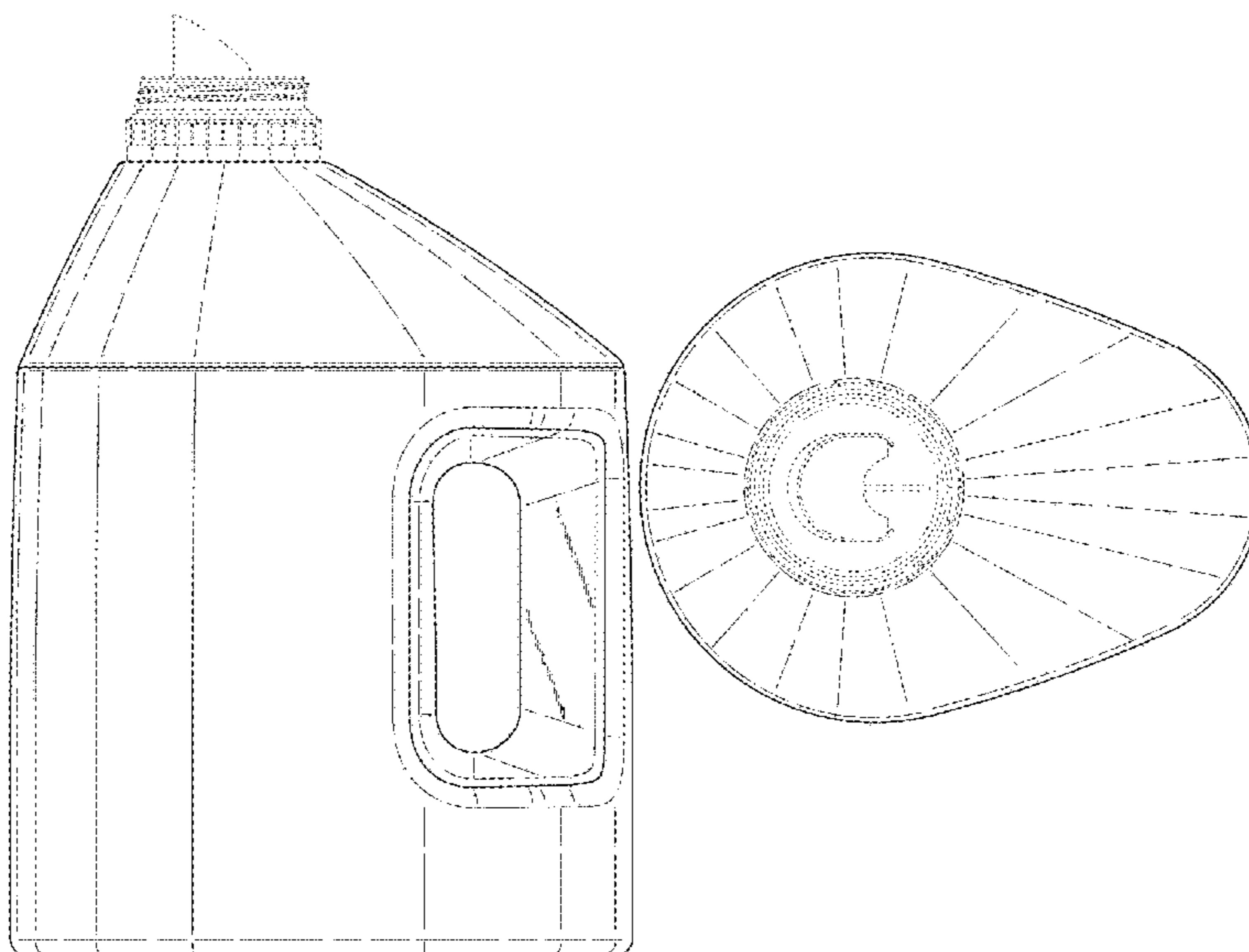
DESCRIPTION

FIG. 1 is a top, front perspective view of a bottle showing
our new design;
FIG. 2 is a front view thereof;
FIG. 3 is a rear view thereof;
FIG. 4 is a right side view thereof;
FIG. 5 is a left side view thereof;
FIG. 6 is a top view thereof; and,
FIG. 7 is a bottom view thereof.
In the drawings, the broken lines depict unclaimed subject
matter only and form no part of the claimed design.

1 Claim, 6 Drawing Sheets

(56) **References Cited**
U.S. PATENT DOCUMENTS

D220,609 S * 5/1971 Dickens D9/528
D247,347 S * 2/1978 Klingaman D9/528
4,269,722 A 5/1981 Joshi et al.
D264,127 S 4/1982 Peterson
D284,353 S 6/1986 Prahs
D297,213 S 8/1988 Holmquist et al.



(56)

References Cited

U.S. PATENT DOCUMENTS

D665,672 S 8/2012 Randquist et al.
 D694,635 S 12/2013 Corbett et al.
 D778,163 S 2/2017 Dilley et al.
 D801,819 S 11/2017 Dunster et al.

OTHER PUBLICATIONS

“Cif Wild Orchid Floor Cleaner 1L”, printed from www.bmstores.co.uk/products/cif-wood-floor-cleaner-1lt-wild-orchid-252363, publicly available at least as early as Jun. 24, 2011, per <http://web.archive.org> (3 pages).

“Run This Baby Laundry Detergent”, printed from https://guide.alibaba.com/t-shop/run-this-baby-laundry-detergent-to-c...ergent-concentrated-detergent-mites-children-2-bottles_11442833.html, publicly available at least as early as Apr. 27, 2018 (3 pages).

“MamaSuds Laundry Detergent Soap”, printed from www.mamasuds.com/products/laundry-soap, publicly available at least as early as Jan. 21, 2018 (10 pages).

“Natural Home Logic Laundry Detergent”, printed from www.logicproducts.com/products/natural-home-logic-laundry-detergent, publicly available at least as early as May 1, 2018 (5 pages).

“Smart Sense 4-In-1 Ultra Laundry Detergent Ocean Air 100.0 FL OZ”, printed from www.kmart.com/smart-sense-4-in-1-ultra-laundry-detergent/p-029W009180621001P, publicly available at least as early as Jan. 9, 2017, per <http://web.archive.org> (5 pages).

“Subscribe to a Laundry Plan—Achieve Clean”, printed from <https://achieveclean.org/subscribe/>, publicly available at least as early as Apr. 27, 2018 (2 pages).

“Uline High Efficient Liquid Detergent—100 oz Bottle”, printed from www.uline.com/Product/Detail/S-19458/Cleaning-Supplies/...QobChMik6W956_I2gIVCdbACh3YRgTkEAQYBiABEgKgXfD_BwE&gclid=aw.ds, publicly available at least as early as May 1, 2018 (2 pages).

* cited by examiner

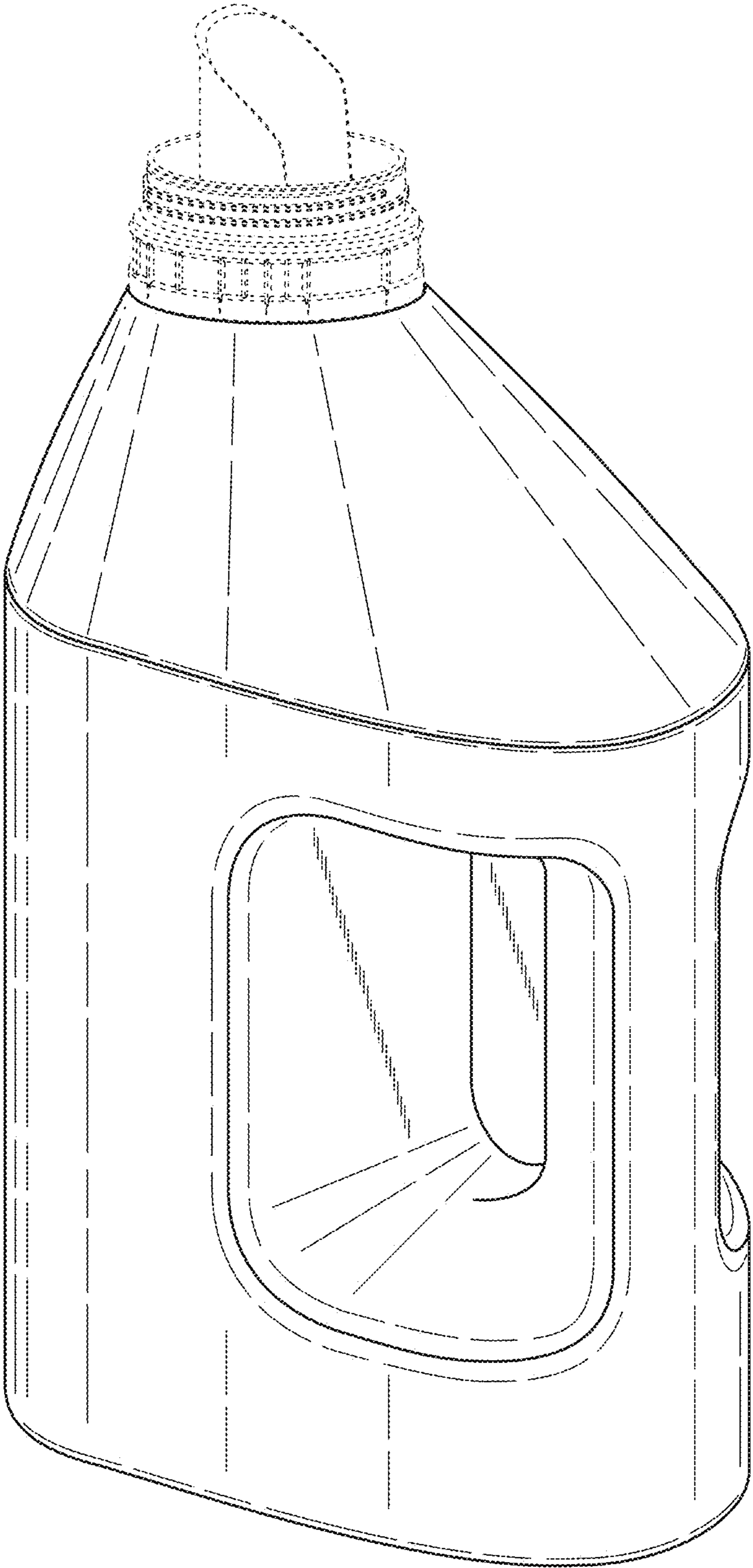


FIG. 1

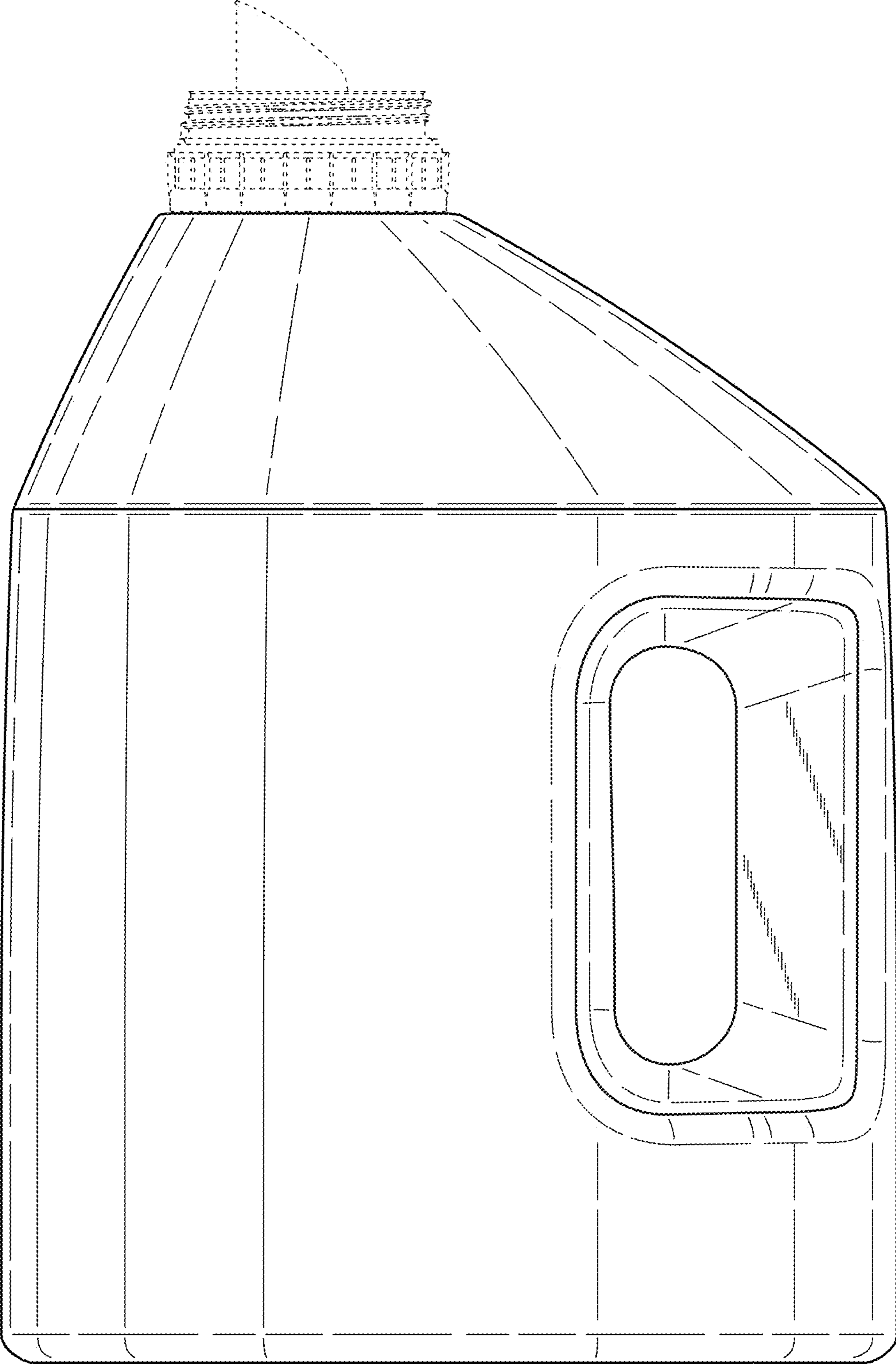


FIG. 2

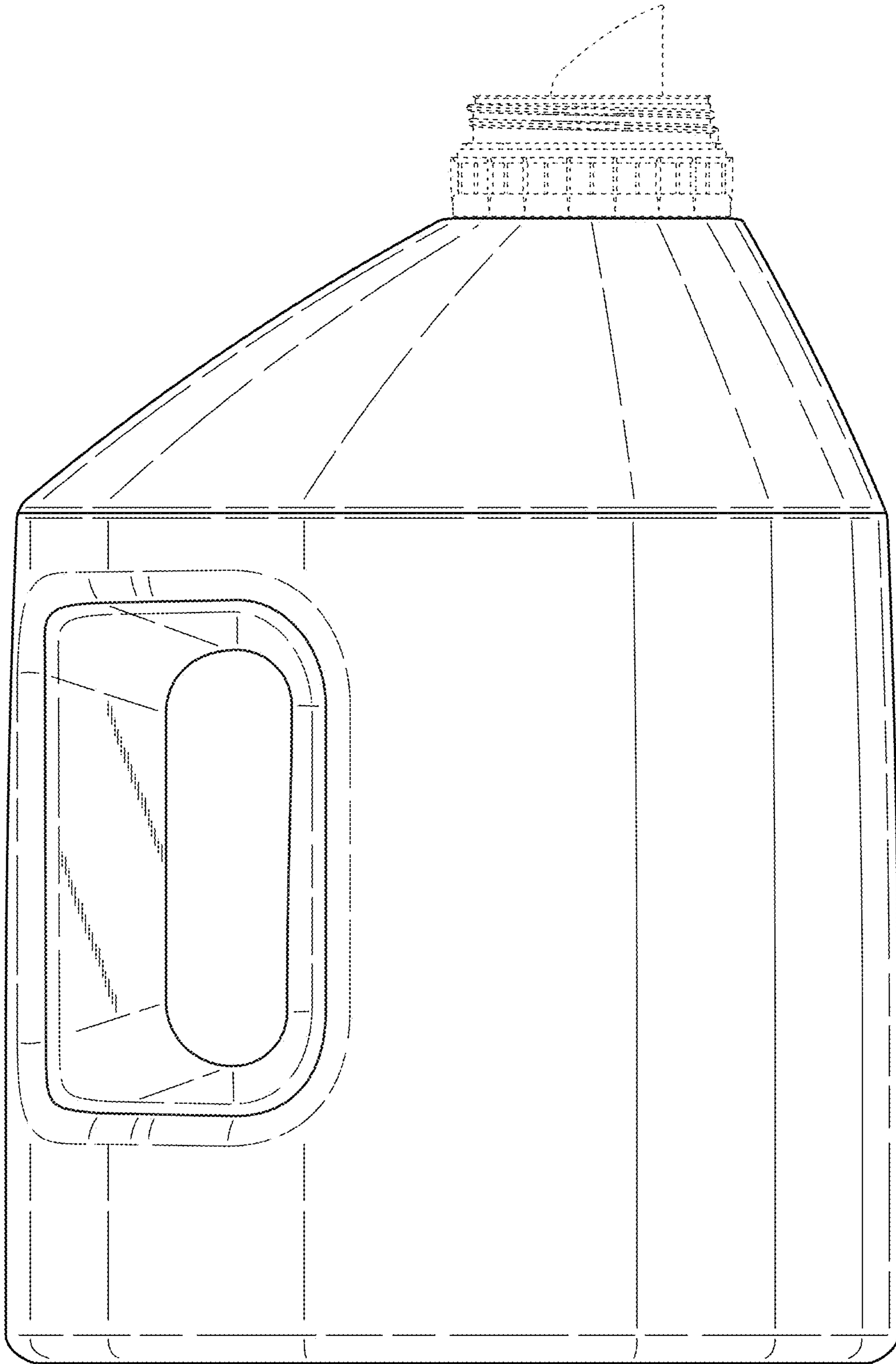


FIG. 3

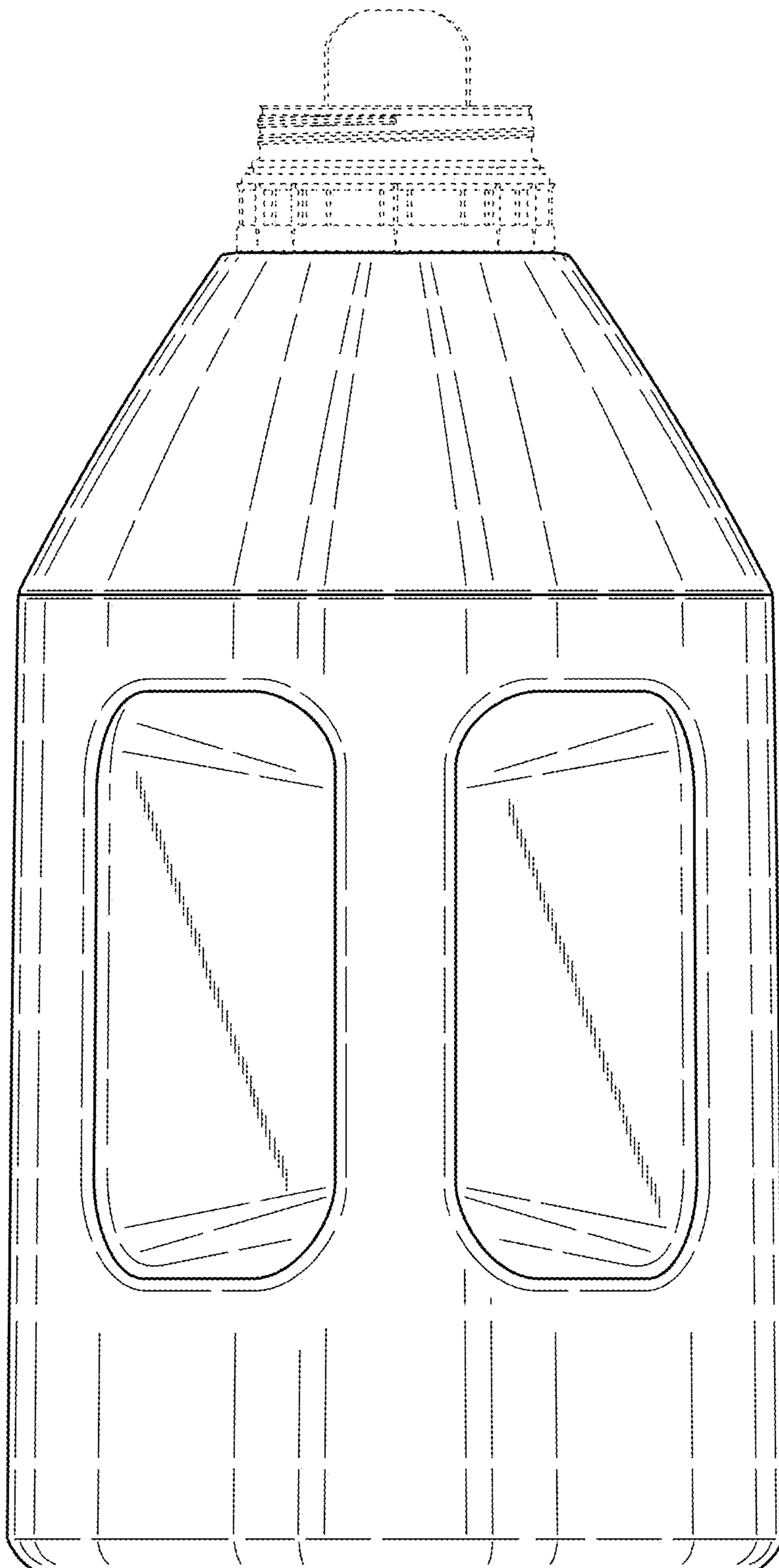


FIG. 4

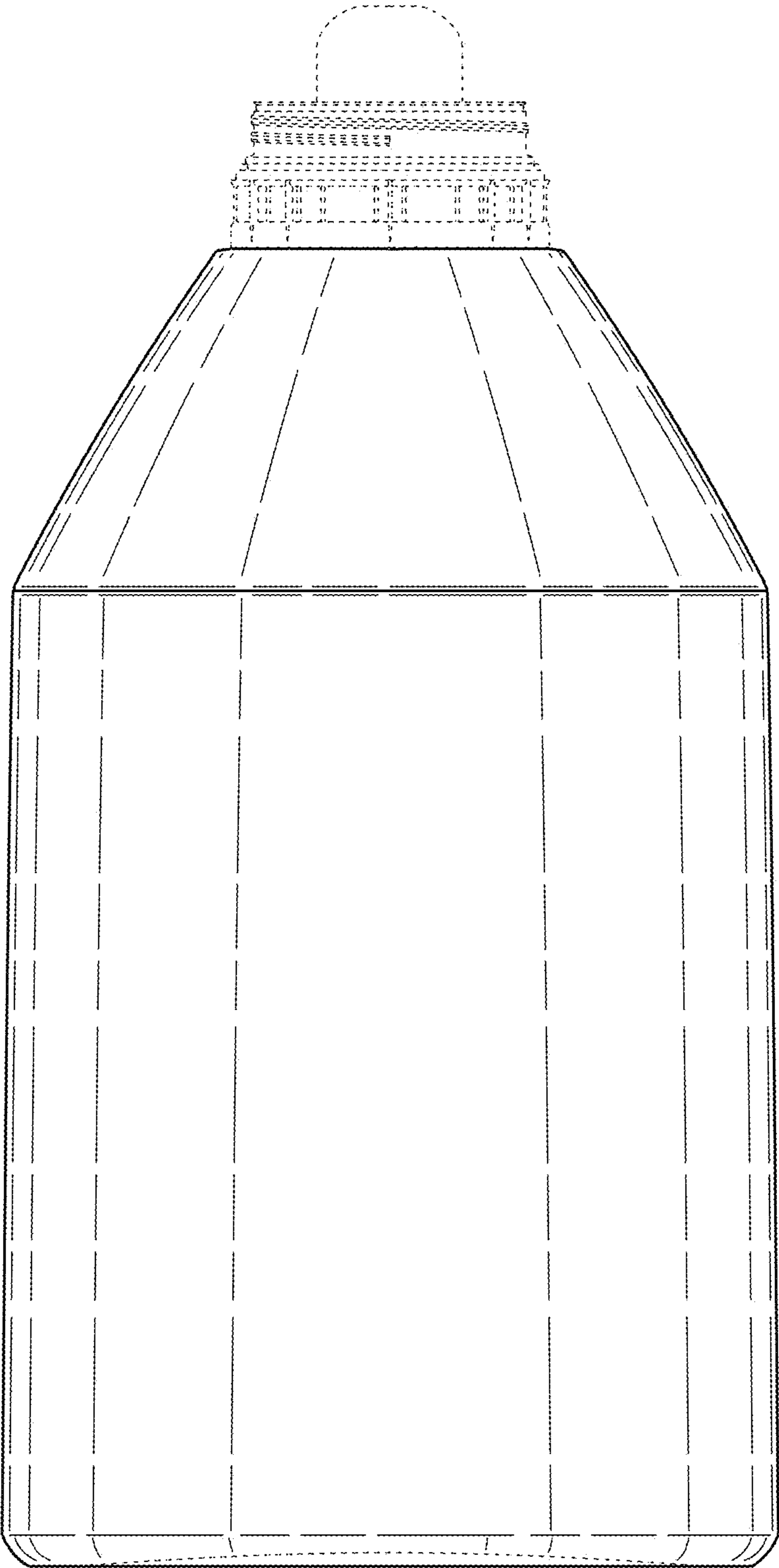


FIG. 5

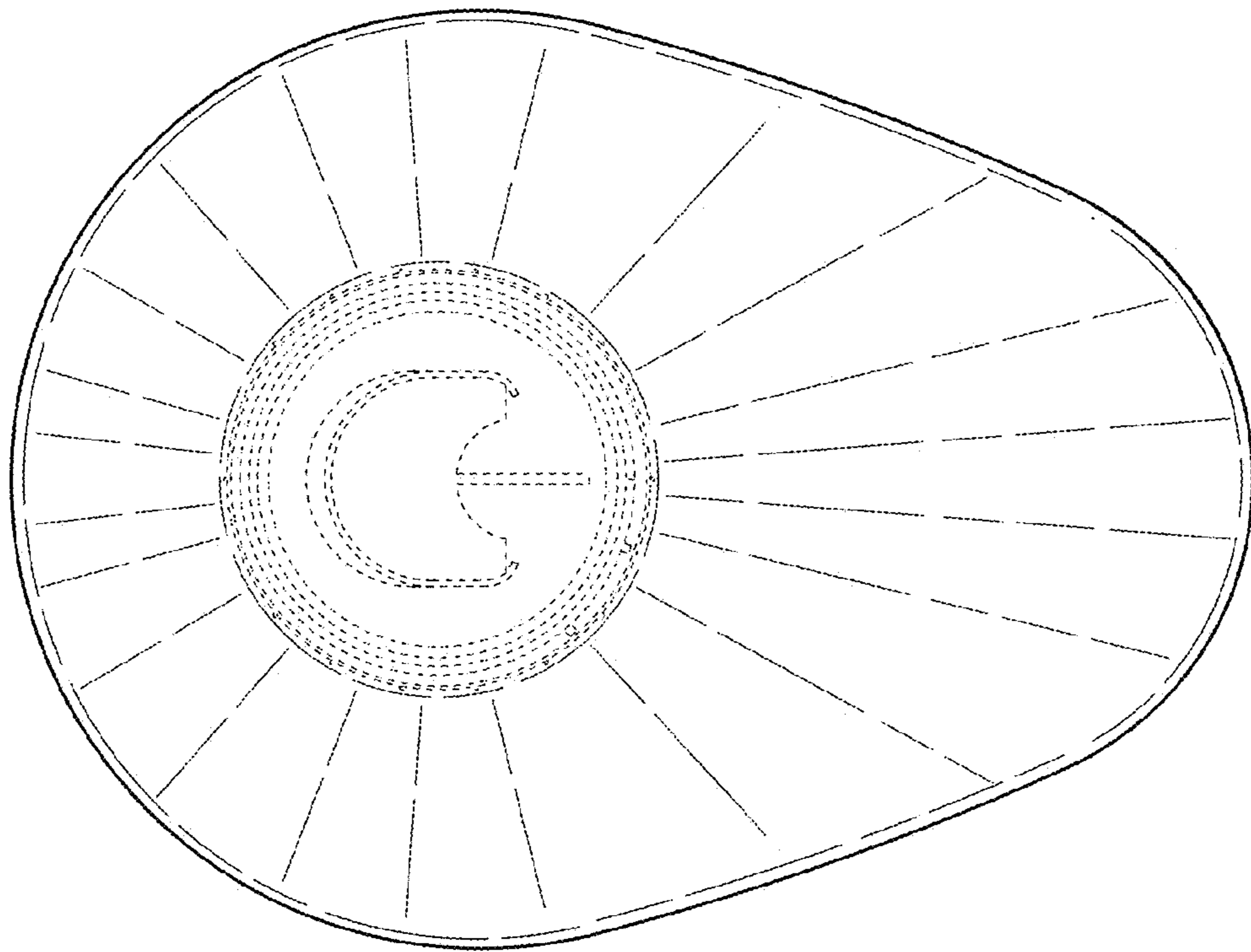


FIG. 6

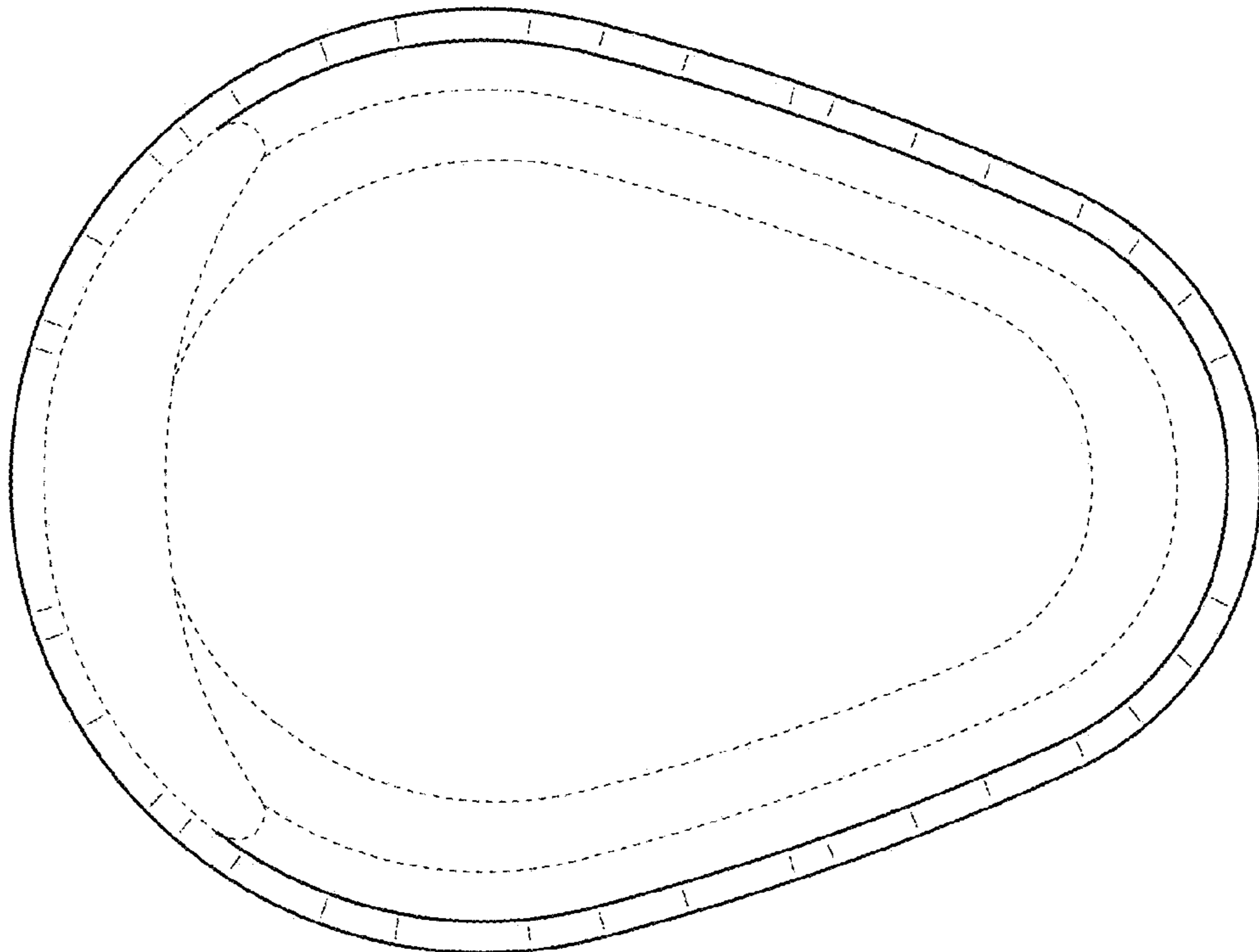


FIG. 7