



US00D898576S

(12) **United States Design Patent** (10) **Patent No.:** **US D898,576 S**  
**Gustafsson et al.** (45) **Date of Patent:** **\*\* Oct. 13, 2020**

(54) **BOTTLE**  
(71) Applicant: **PepsiCo, Inc.**, Purchase, NY (US)  
(72) Inventors: **Niklas Gustafsson**, New York, NY (US); **Christopher Nobles**, Brooklyn, NY (US); **Gustavo de Souza Messias**, Milan (IT); **Christopher John Miller**, Milan (IT)  
(73) Assignee: **PepsiCo, Inc.**, Purchase, NY (US)

D226,175 S \* 1/1973 Bystedt ..... D9/552  
D228,445 S \* 9/1973 Stanley ..... D9/552  
D259,021 S \* 4/1981 Khovaylo ..... D9/552  
D292,269 S 10/1987 Jacobs et al.  
D292,374 S 10/1987 Jacobs et al.  
D292,375 S 10/1987 Jacobs et al.  
D348,606 S 7/1994 Edstrom  
D351,121 S \* 10/1994 Lauchlan ..... D11/143  
5,385,250 A 1/1995 Pasquale  
D381,272 S \* 7/1997 Coons ..... D9/540  
D435,795 S 1/2001 Bretz et al.

(Continued)

(\*\*) Term: **15 Years**

FOREIGN PATENT DOCUMENTS

(21) Appl. No.: **29/739,452**

CN 301631664 \* 8/2011  
CN 305079755 \* 3/2019

(22) Filed: **Jun. 25, 2020**

*Primary Examiner* — Brett Miller

*Assistant Examiner* — Rani J Abdallah

**Related U.S. Application Data**

(63) Continuation of application No. 29/680,120, filed on Feb. 13, 2019, now Pat. No. Des. 889,974.

(74) *Attorney, Agent, or Firm* — Sterne, Kessler, Goldstein & Fox P.L.L.C.

(51) **LOC (12) Cl.** ..... **09-01**

(57) **CLAIM**

(52) **U.S. Cl.**  
USPC ..... **D9/516**; D9/530; D9/551

The ornamental design for a bottle, as shown and described.

(58) **Field of Classification Search**

**DESCRIPTION**

USPC ..... D9/434, 505, 516, 540, 550, 560, 668, D9/670, 681, 687, 694, 700, 537, 538, D9/500, 552, 556, 539, 520, 502, 530; D7/500–524, 532, 525, 526, 535, 587, D7/603, 605, 608; D11/131, 184

FIG. 1 is a top front perspective view of a bottle showing the claimed design;

FIG. 2 is a bottom rear perspective view thereof;

FIG. 3 is a front view thereof;

FIG. 4 is a rear view thereof;

FIG. 5 is a left side view thereof;

FIG. 6 is a right side view thereof;

FIG. 7 is a top view thereof; and,

FIG. 8 is a bottom view thereof.

CPC .. B65D 1/0223; B65D 83/205; B65D 83/206; B65D 2501/0081; B65D 79/005; B65D 2501/0036; B65D 1/0276; B65D 1/0284; Y10S 220/906; B29L 2031/7158; B29B 2911/14026; B29C 49/06; B29C 49/0005

See application file for complete search history.

The dashed broken lines in the figures show portions of the bottle that form no part of the claimed design.

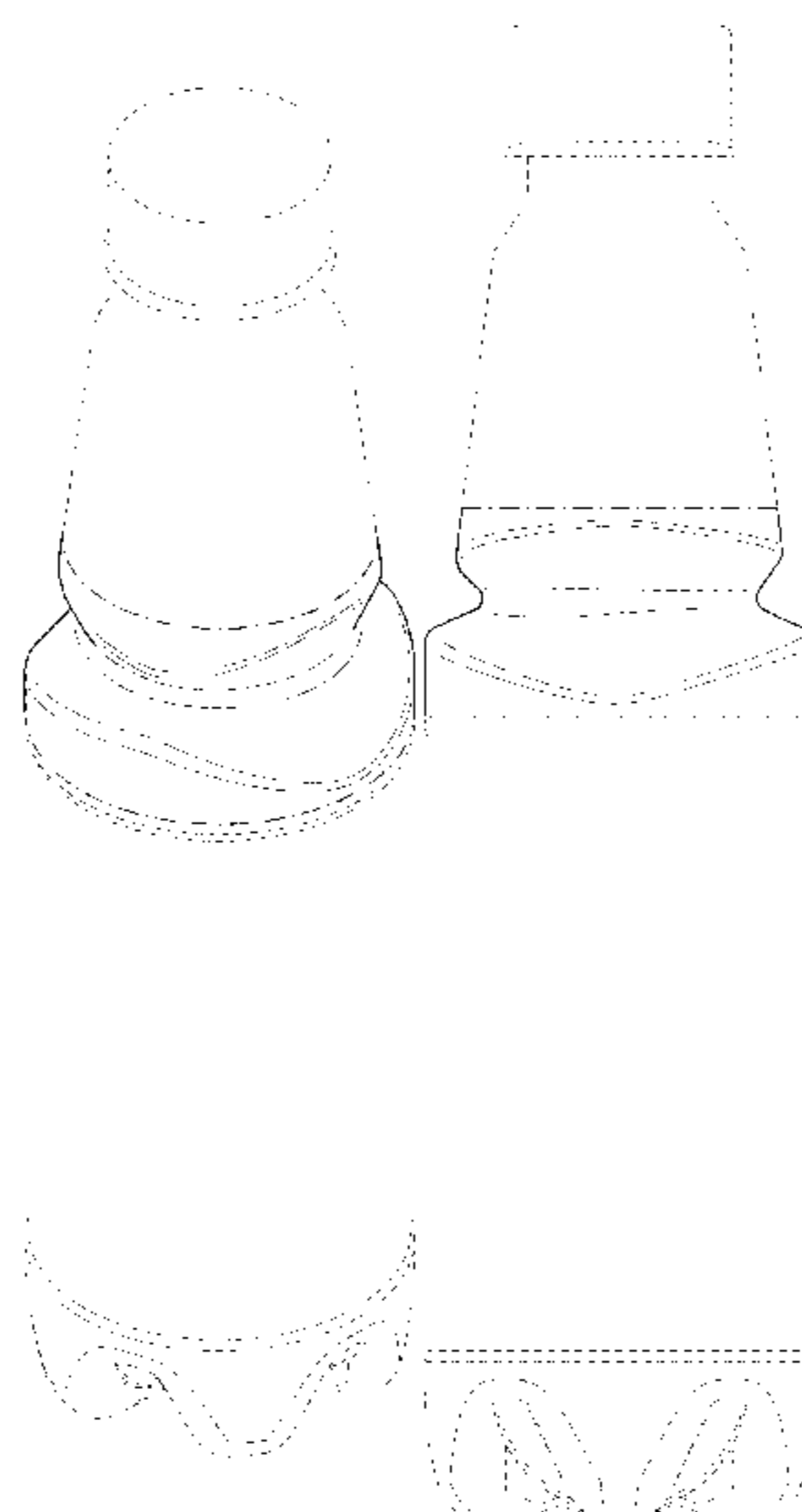
The dot-dash broken lines in the figures show boundaries that form no part of the claimed design.

(56) **References Cited**

U.S. PATENT DOCUMENTS

D116,861 S 9/1939 Mas  
D204,711 S \* 5/1966 Plummer ..... D9/552

**1 Claim, 4 Drawing Sheets**



(56)

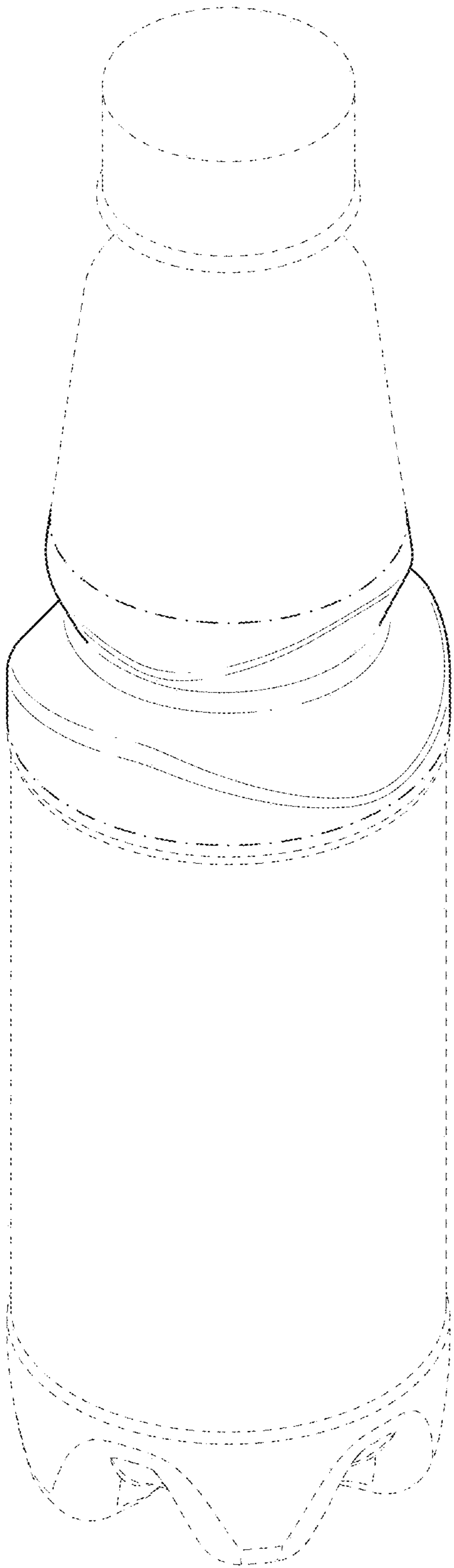
References Cited

U.S. PATENT DOCUMENTS

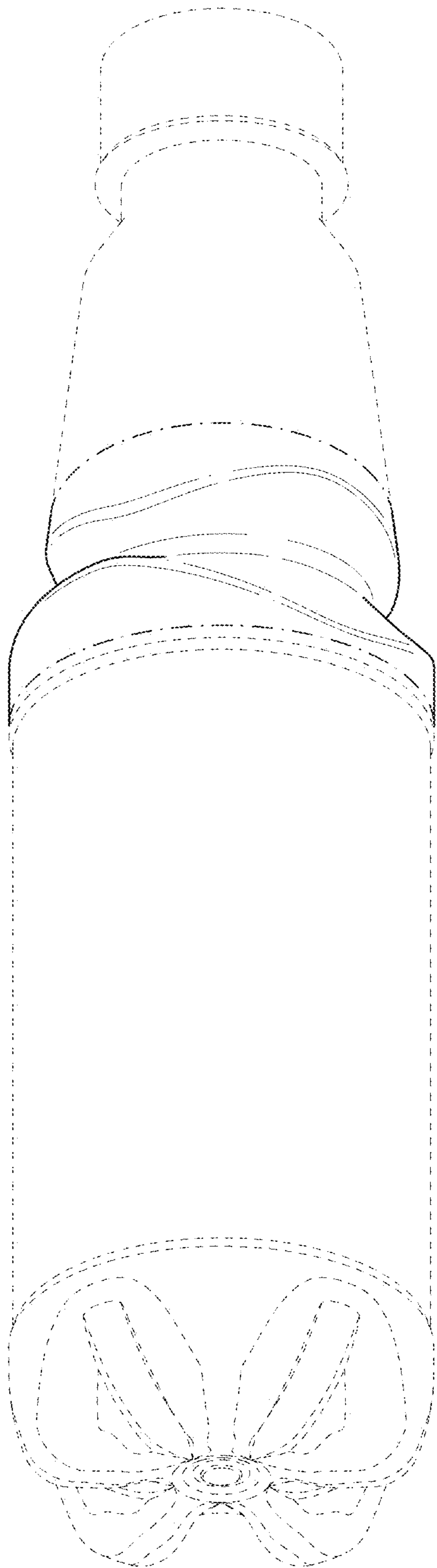
D450,589 S 11/2001 Haake et al.  
 D457,055 S \* 5/2002 Ranchetti ..... D9/557  
 D466,023 S \* 11/2002 Eickmeier ..... D9/552  
 D469,358 S 1/2003 Bryant et al.  
 D469,359 S 1/2003 Bryant et al.  
 D469,695 S 2/2003 Bryant et al.  
 D469,696 S 2/2003 Bryant et al.  
 D476,896 S 7/2003 Cheng et al.  
 D502,100 S 2/2005 Bretz et al.  
 D502,877 S \* 3/2005 Stockwell ..... D9/551  
 D512,312 S 12/2005 Bretz et al.  
 D516,922 S \* 3/2006 Stockwell ..... D9/551  
 7,172,087 B1 \* 2/2007 Axe ..... B65D 1/32  
 215/381  
 D543,462 S 5/2007 Pedmo et al.  
 D550,096 S \* 9/2007 Zboch ..... D9/551  
 D564,889 S \* 3/2008 Boon ..... D9/551  
 D568,163 S 5/2008 Melrose et al.

D573,477 S \* 7/2008 Caldwell ..... D9/540  
 D584,628 S \* 1/2009 Lepoitevin ..... B65D 23/102  
 D9/538  
 D620,371 S \* 7/2010 Bronstein ..... D9/551  
 D630,103 S \* 1/2011 Lepoitevin ..... D9/551  
 D652,723 S 1/2012 Reisig  
 D663,625 S 7/2012 Warneke et al.  
 D706,634 S 6/2014 Herman et al.  
 D787,945 S \* 5/2017 Rashid ..... D9/539  
 D810,510 S \* 2/2018 Serruya ..... D7/511  
 D813,046 S \* 3/2018 Llewellyn ..... D9/552  
 10,322,855 B2 \* 6/2019 Heiberger ..... B65D 43/164  
 D885,923 S \* 6/2020 Omdahl, II ..... D9/530  
 2007/0045220 A1 3/2007 Pedmo et al.  
 2007/0160787 A1 7/2007 Jansen et al.  
 2015/0147497 A1 5/2015 Brouwer  
 2017/0166346 A1 \* 6/2017 Cornell ..... A45C 15/00  
 2018/0086517 A1 \* 3/2018 Heiberger ..... B65D 41/023  
 2019/0029469 A1 \* 1/2019 Jones ..... A45F 3/16  
 2019/0119014 A1 \* 4/2019 Heiberger ..... B65D 23/104

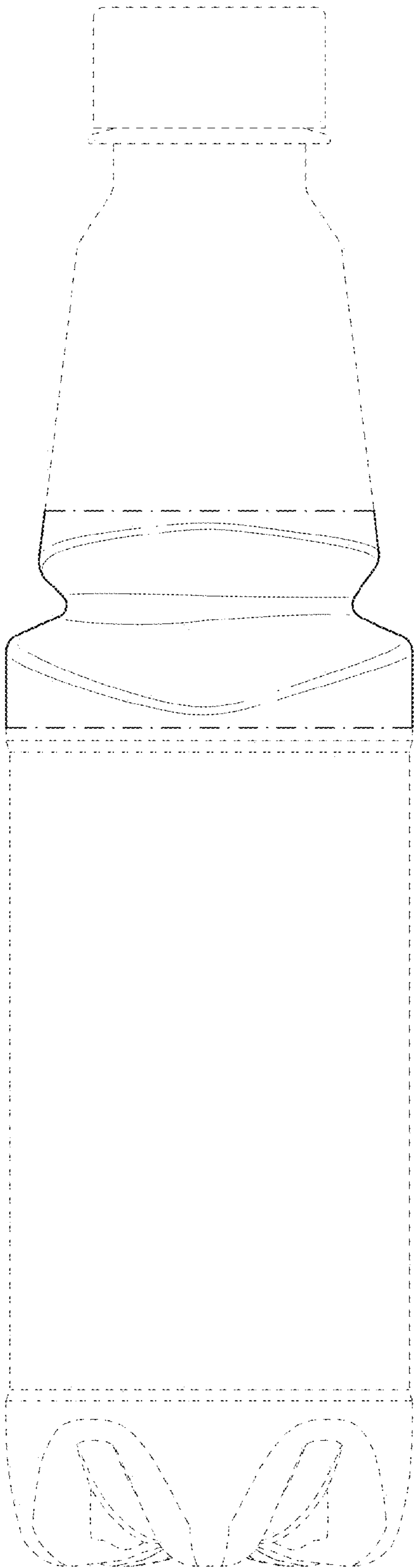
\* cited by examiner



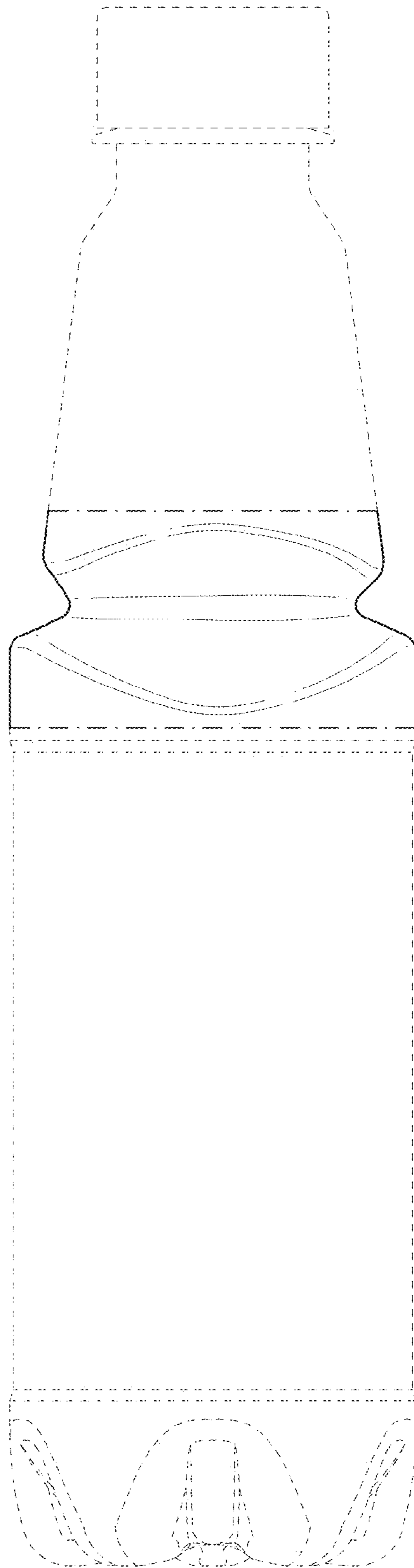
**FIG. 1**



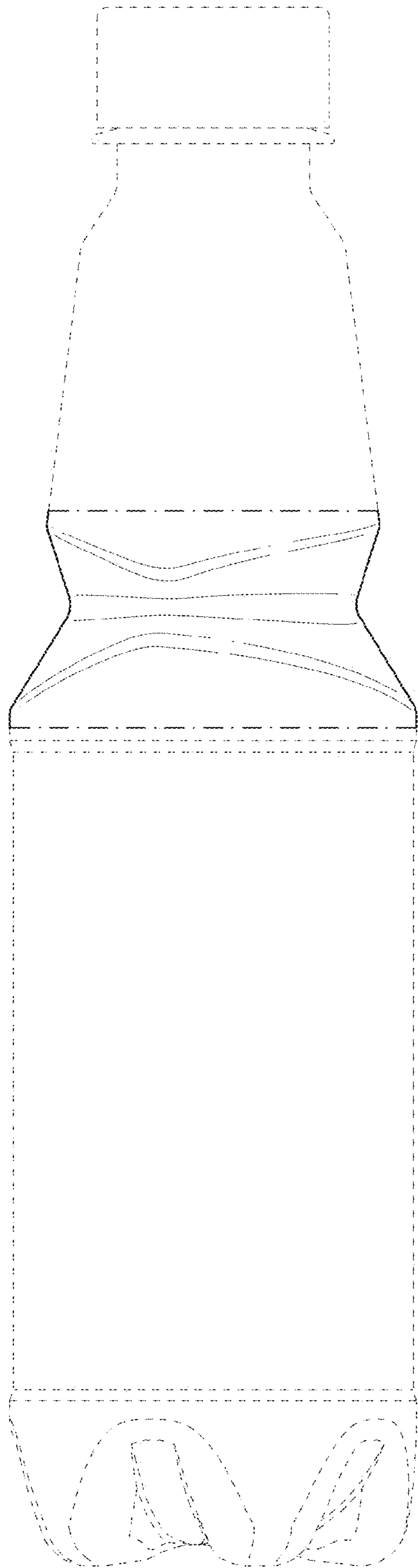
**FIG. 2**



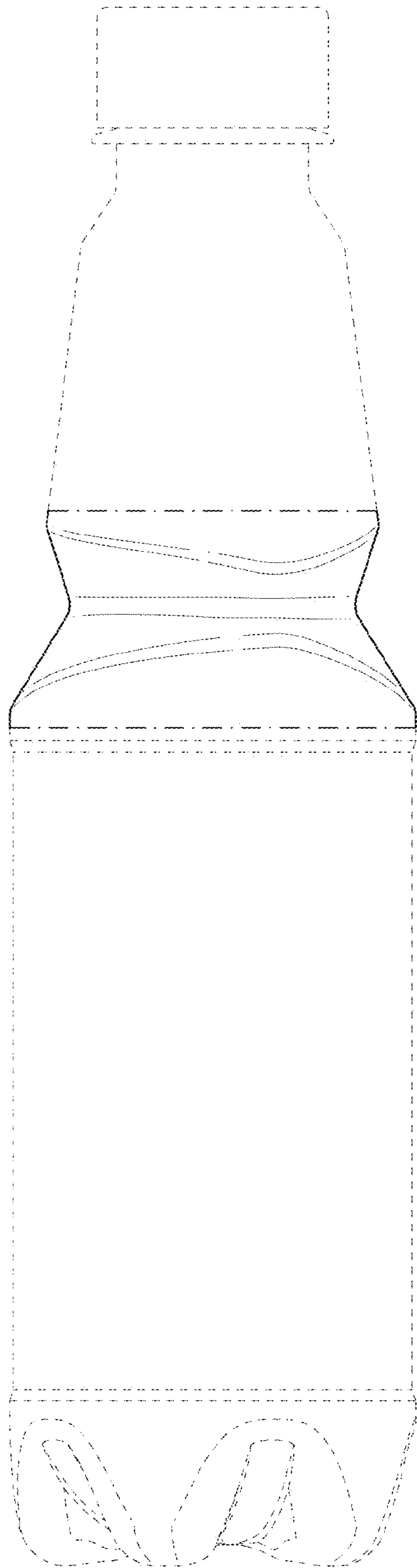
**FIG. 3**



**FIG. 4**

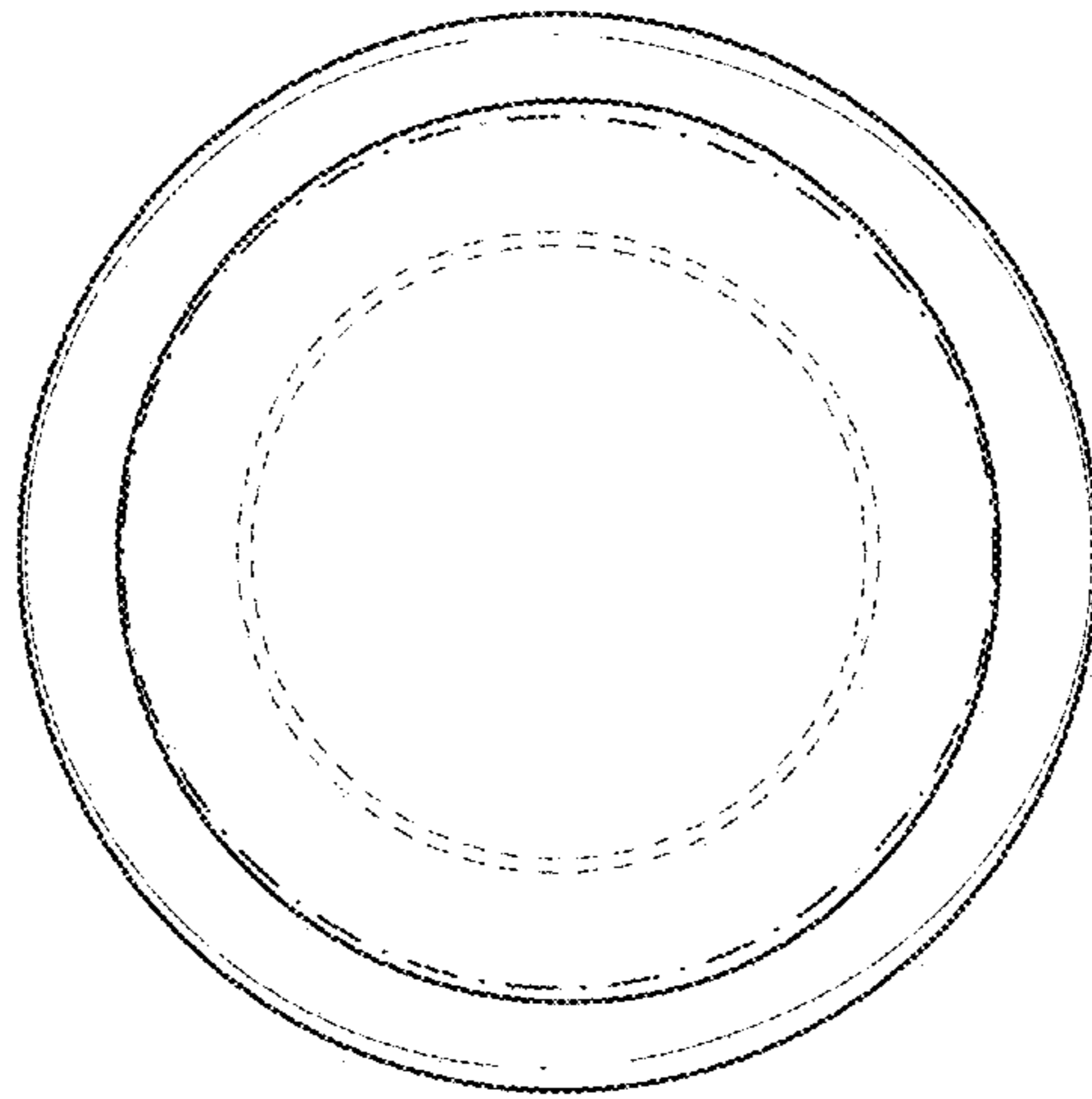


**FIG. 5**

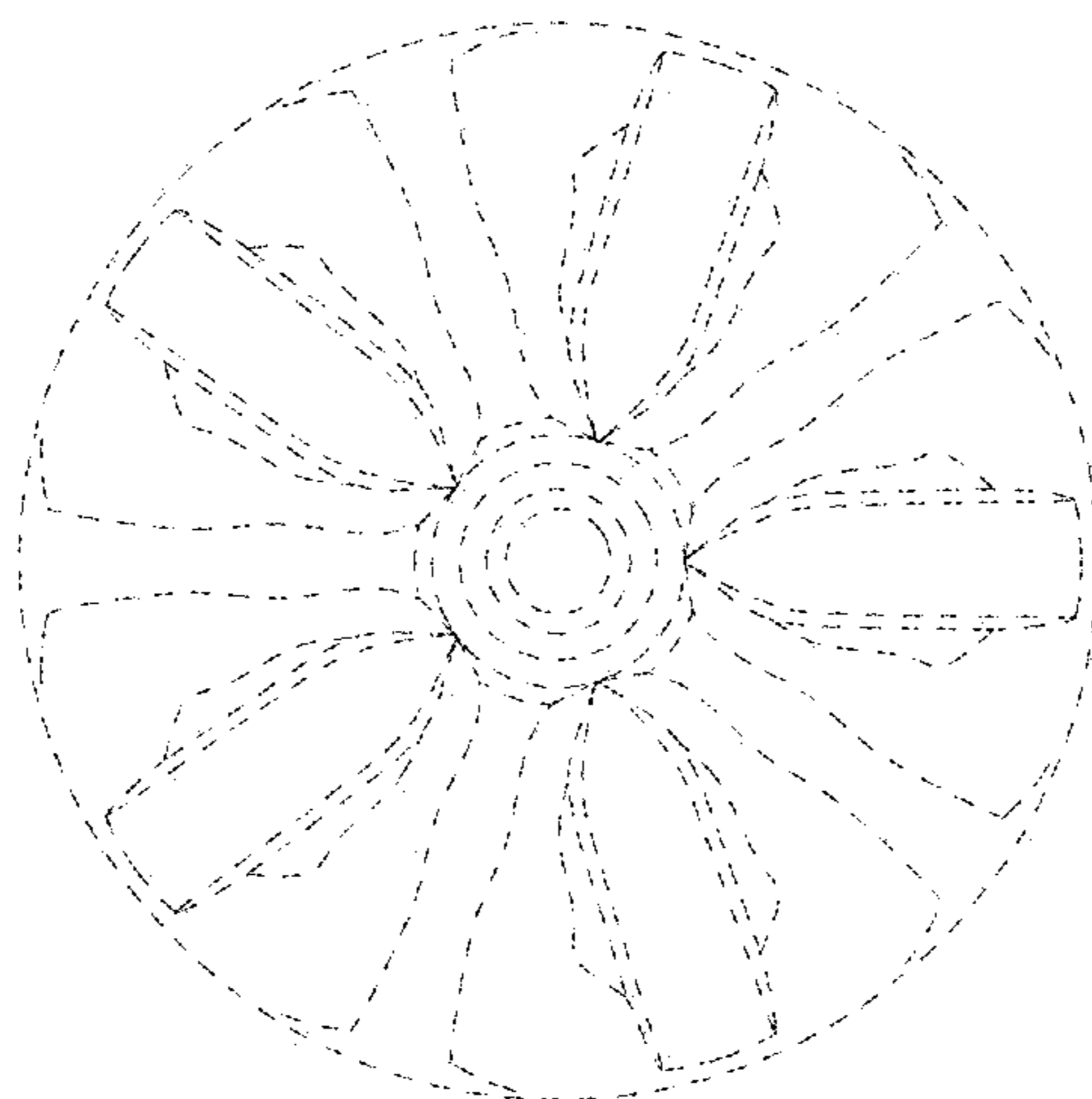


**FIG. 6**





**FIG. 7**



**FIG. 8**