



US00D898573S

(12) **United States Design Patent** (10) **Patent No.:** **US D898,573 S**
Noyori (45) **Date of Patent:** **** Oct. 13, 2020**

(54) **HOLDER FOR PACKAGING**

B65D 5/4212; B65D 5/503; B65D 5/4266; B65D 5/566;

(71) Applicant: **MITSUBISHI PENCIL COMPANY, LIMITED**, Tokyo (JP)

(Continued)

(72) Inventor: **Tappei Noyori**, Tokyo (JP)

(56) **References Cited**

(73) Assignee: **MITSUBISHI PENCIL COMPANY, LIMITED**, Tokyo (JP)

U.S. PATENT DOCUMENTS

(**) Term: **15 Years**

D154,650 S * 7/1949 Wright D28/73
D192,677 S * 5/1962 Schaefer D7/701

(Continued)

(21) Appl. No.: **29/680,944**

OTHER PUBLICATIONS

(22) Filed: **Feb. 21, 2019**

DIY Pencil Holder: Announced Jul. 27, 2013 [online]. Site Visited [Jun. 18, 2020]. Available from Internet URL: <https://www.lilblueboo.com/2013/07/diy-pencil-holders-for-school-office-or-home.html>.*

(Continued)

(30) **Foreign Application Priority Data**

Aug. 22, 2018 (JP) 2018-018277

(51) **LOC (12) Cl.** **09-07**

Primary Examiner — Catherine S Posthauer

(52) **U.S. Cl.**
USPC **D9/455**; D9/456

(74) *Attorney, Agent, or Firm* — Andrew F. Young, Esq.;
Lackenbach Siegel, LLP

(58) **Field of Classification Search**

(57) **CLAIM**

USPC D3/304, 318, 319; D7/387, 388, 391, D7/392.1, 396.1, 396.6, 403, 409, 504, D7/511, 550.1, 553.1, 553.2, 566, 568, D7/601, 602, 614, 615, 629, 701, 703, D7/707, 708, 401.1, 558, 600.1, 605, 610, D7/624.1, 624.2, 631, 633; D9/414, 416, D9/424, 425, 426, 427, 428, 430, 432, D9/433, 434, 435, 436, 455, 456, 601, D9/602, 634, 701, 703, 707, 708, 715, D9/721, 732, 736, 761; D19/34.1, 34.2, D19/34.4, 75, 96, 97, 102, 105, 106, 107, D19/191; D25/119, 120, 121, 122, 123, D25/126, 129, 138, 142; D6/300, 512, D6/702, 706, 717, 719; D20/43, 44; D24/121, 216, 224, 227, 229; D28/61, D28/73, 76; D21/484, 491, 494, 500, D21/503, 505, 506

The ornamental design for a holder for packaging, as shown and described.

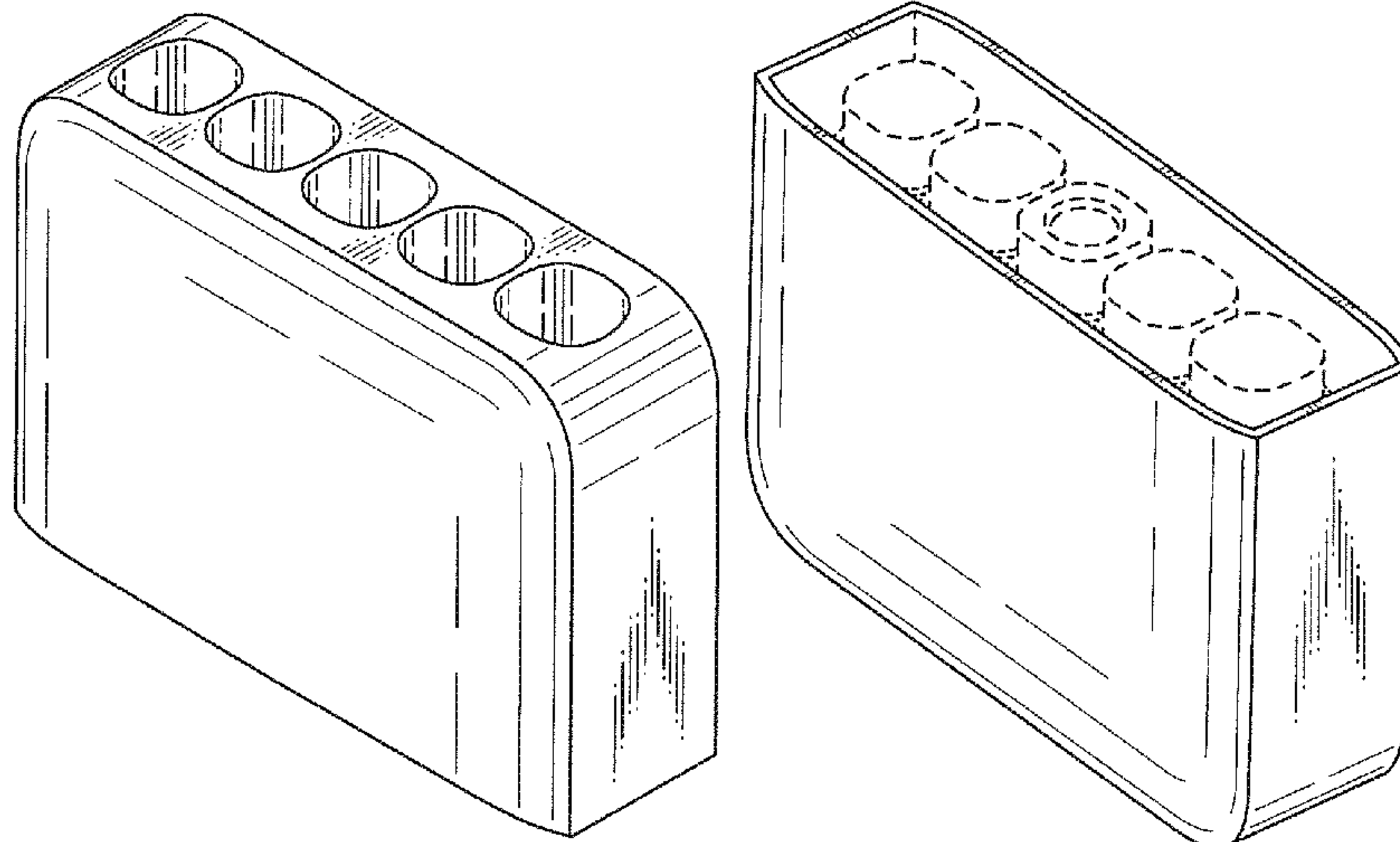
DESCRIPTION

CPC B65B 11/045; B65B 31/028; B65D 91/04; B65D 81/02; B65D 81/054; B65D 81/052; B65D 71/04; B65D 5/04; B65D 5/105; B65D 5/5035; B65D 5/0004;

FIG. 1 is a top perspective view of a holder for packaging, showing my new design;
FIG. 2 is a front elevational view thereof;
FIG. 3 is a rear elevational view thereof;
FIG. 4 is a right side elevational view thereof; the left side elevational view being a mirror image thereof;
FIG. 5 is a top plan view thereof;
FIG. 6 is a bottom plan view thereof;
FIG. 7 is a bottom perspective view thereof; and,
FIG. 8 is a cross-sectional view taken along the line 8-8 in FIG. 5.

The broken lines are shown for the purpose of illustrating parts of the article that form no part of the claim.

1 Claim, 4 Drawing Sheets



(58) **Field of Classification Search**

CPC .. B65D 5/42; B65D 81/3813; B65D 81/3832;
 B65D 81/386; B65D 65/44; B65D
 25/108; E04F 19/02; E05F 5/06; A47G
 19/30; E04B 2001/7691

See application file for complete search history.

(56) **References Cited**

U.S. PATENT DOCUMENTS

D213,356 S *	2/1969	Buff	D9/456
D234,495 S *	3/1975	Minneman	D9/456
D251,049 S *	2/1979	Gardner	D7/708
D282,206 S *	1/1986	Roy	D24/230
D289,725 S *	5/1987	Lemay	D6/553
D293,943 S *	1/1988	Wadsworth	D28/76
D362,474 S *	9/1995	Voldmester	D21/501
D414,271 S *	9/1999	Mendoza	D24/224
6,443,513 B1 *	9/2002	Glance	B32B 3/12 293/133
D591,957 S *	5/2009	Lee	D6/300
D592,911 S *	5/2009	Buchanan	D7/605
D608,609 S *	1/2010	Eaton	D7/701

D738,176 S *	9/2015	Rooney	D10/64
D761,427 S *	7/2016	Patterson	D24/140
D768,873 S *	10/2016	Stedman	D24/227
D768,934 S *	10/2016	Osweiler	D28/38
D774,369 S *	12/2016	Harris	D7/708
D796,277 S *	9/2017	Stiffel	D7/701
D806,487 S *	1/2018	Elvin-Jensen	D7/701
D807,129 S *	1/2018	Martinez	D7/701
D816,437 S *	5/2018	Kendall	D7/701
D823,654 S *	7/2018	Harris	D7/707
D881,467 S *	4/2020	Gonzalez	D28/38
2010/0212351 A1 *	8/2010	Chapin	F25D 3/08 62/457.5
2019/0274925 A1 *	9/2019	Vlahinos	A42B 3/283
2020/0147921 A1 *	5/2020	Horibe	B32B 5/02

OTHER PUBLICATIONS

Pencil Holder: Site Visited [Jun. 18, 2020]. Available from Internet
 URL: https://www.scene3designs.com/product/recycled-skateboard-pencil-holder-desk-organizer-triple.*

* cited by examiner

FIG. 1

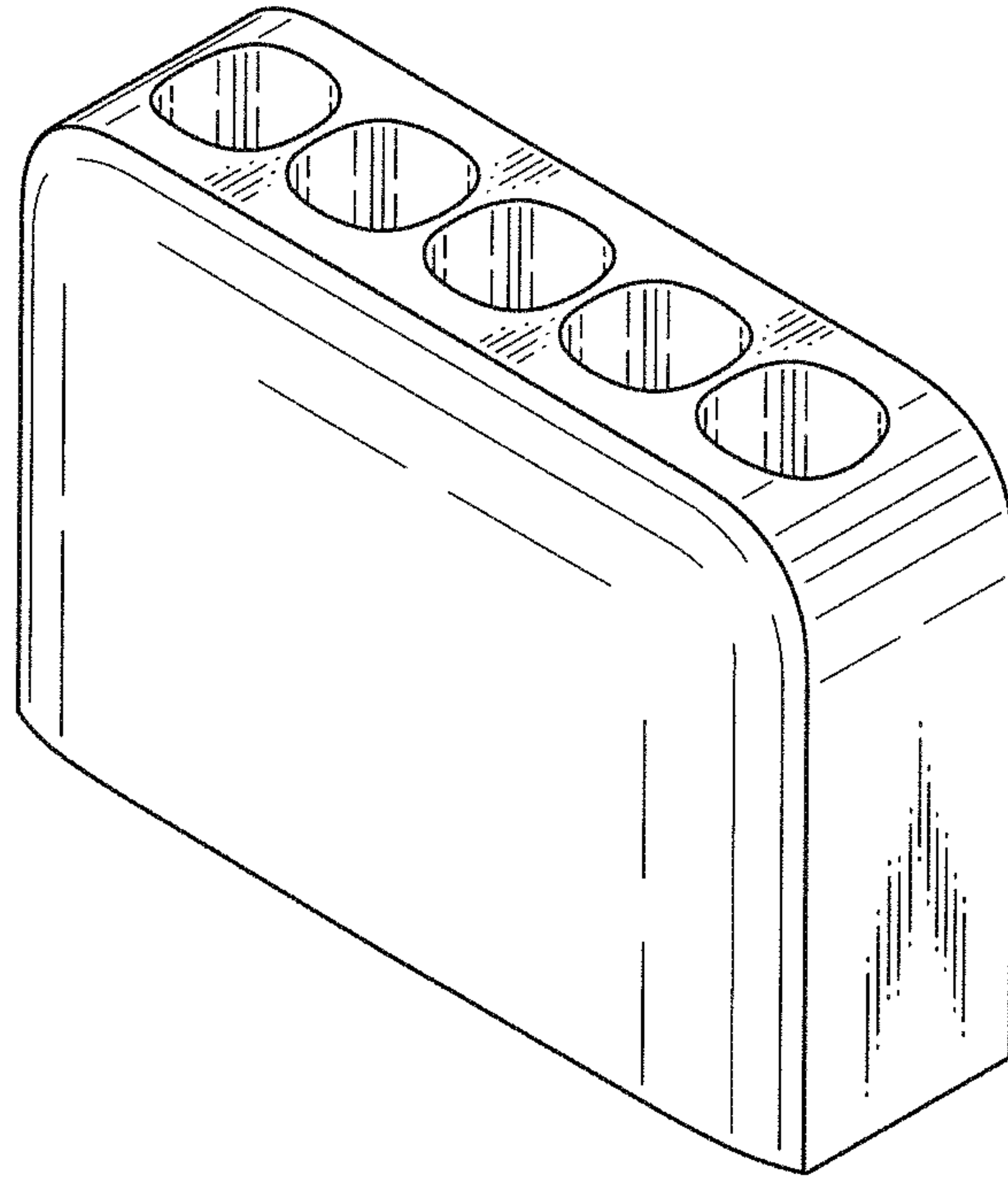


FIG. 2

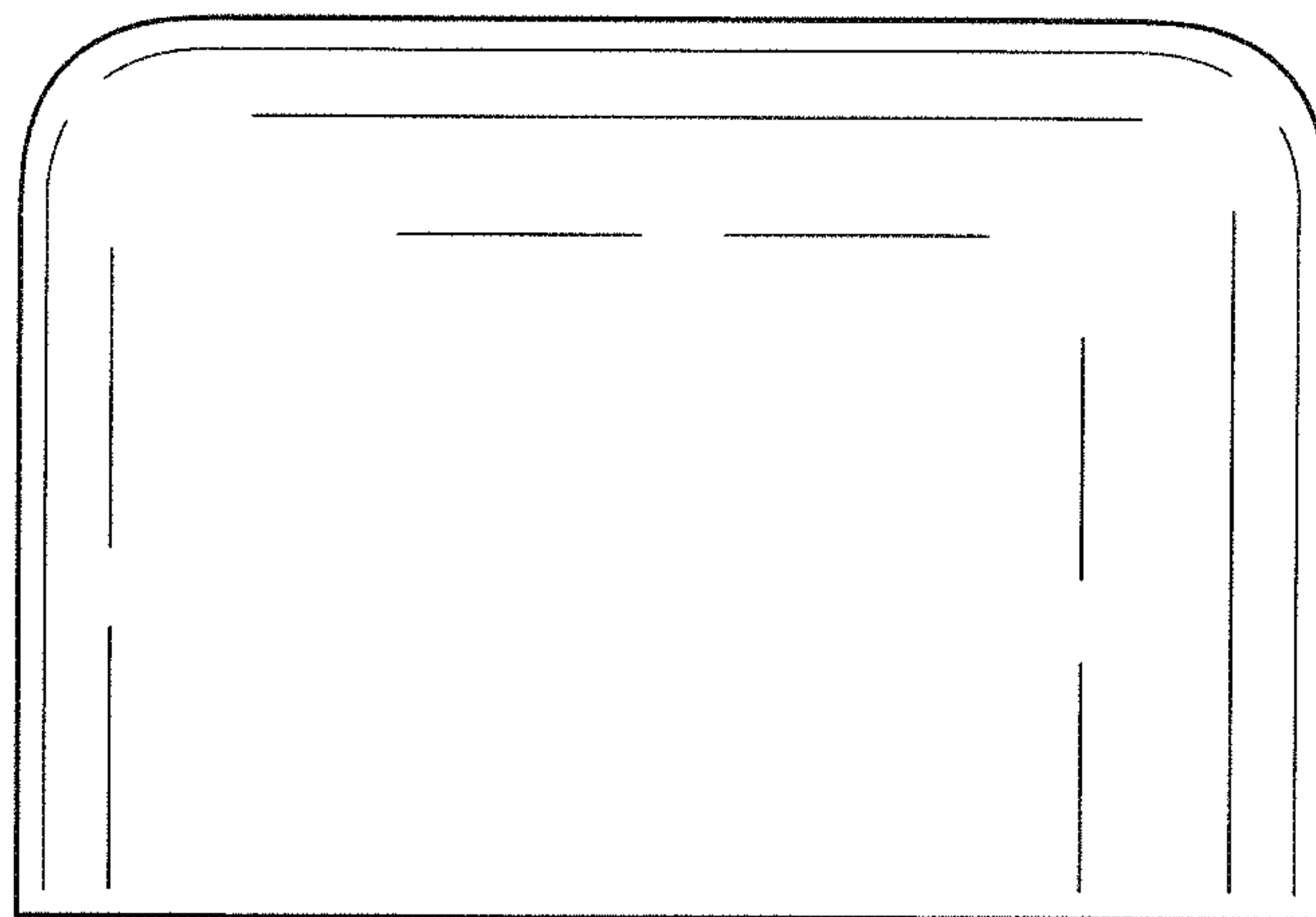


FIG. 3

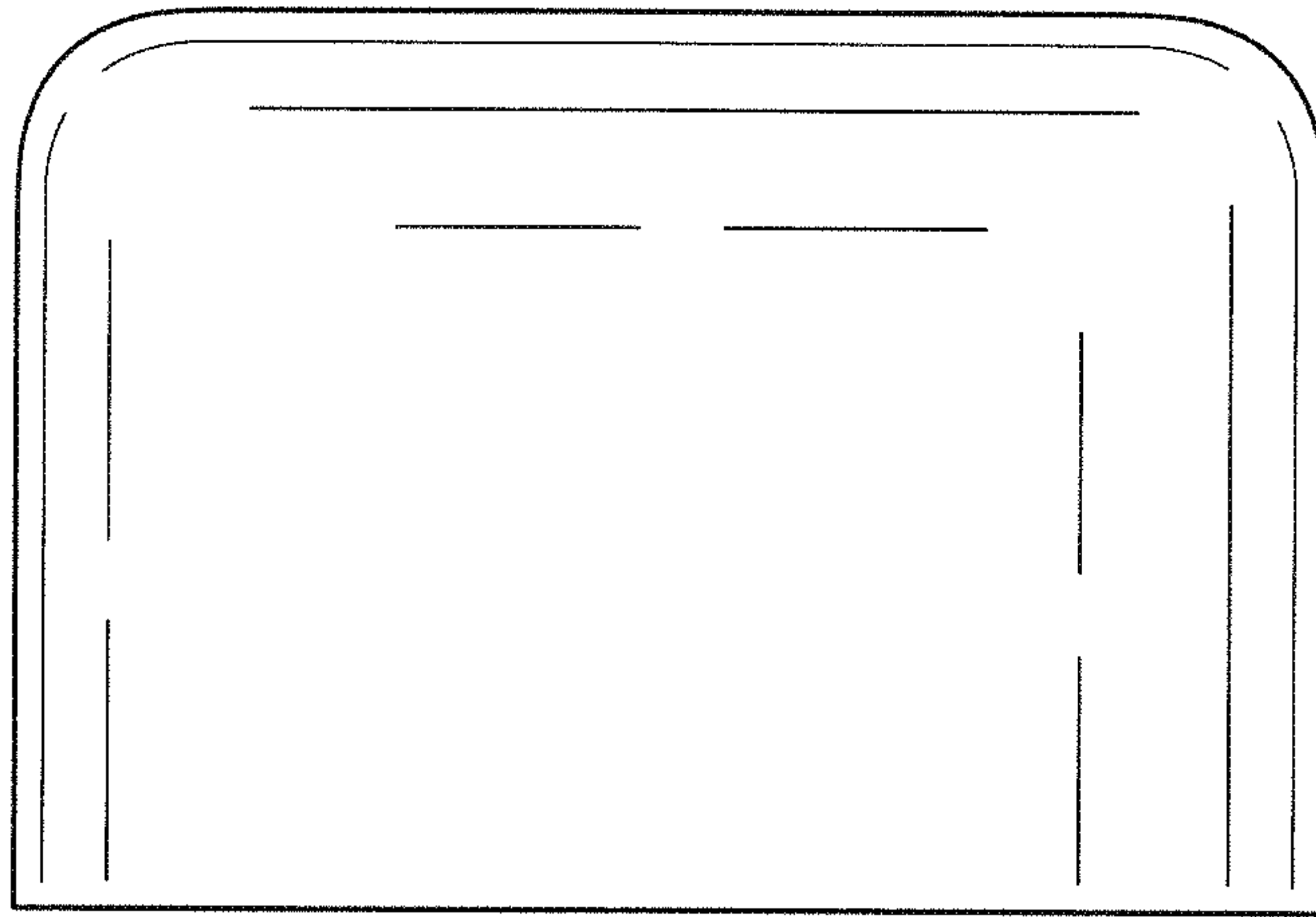


FIG. 4

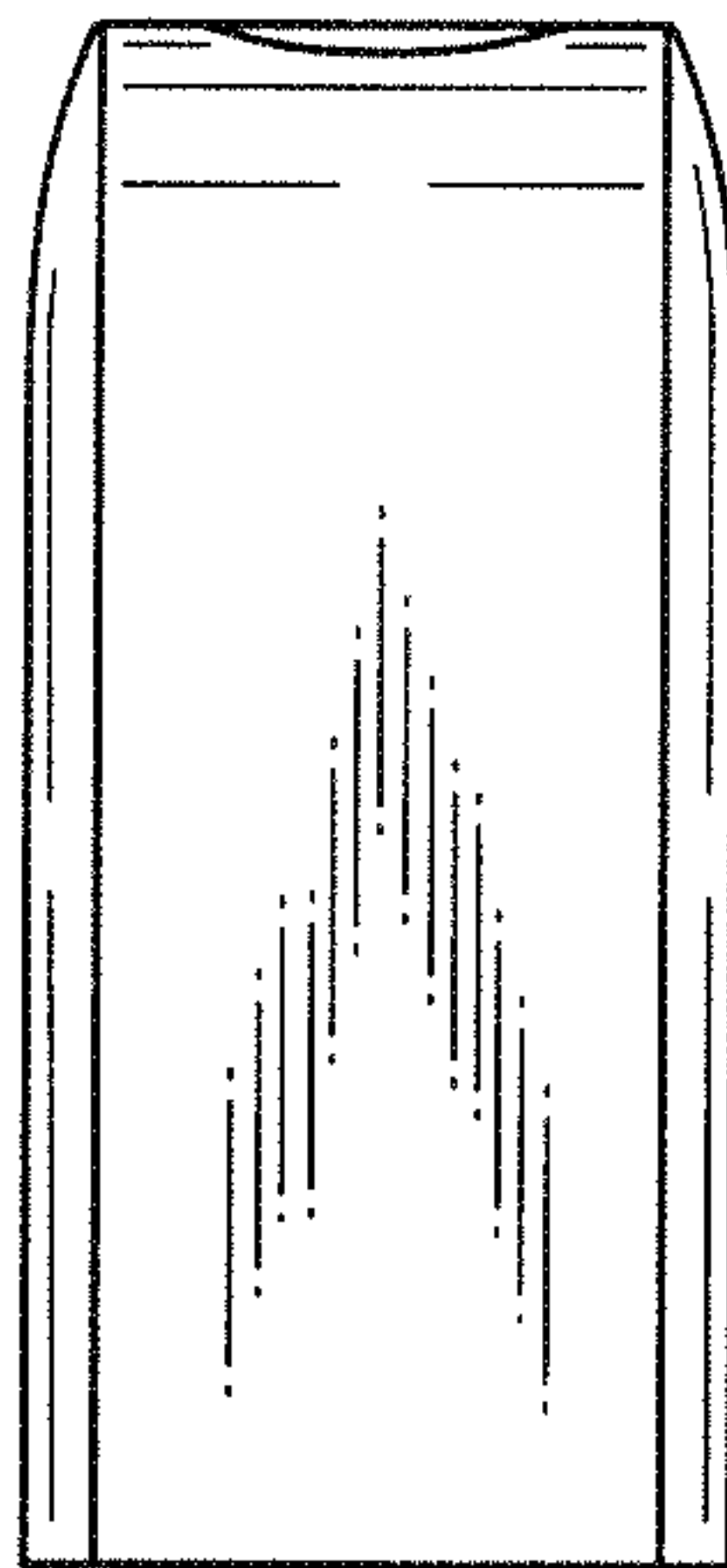


FIG. 5

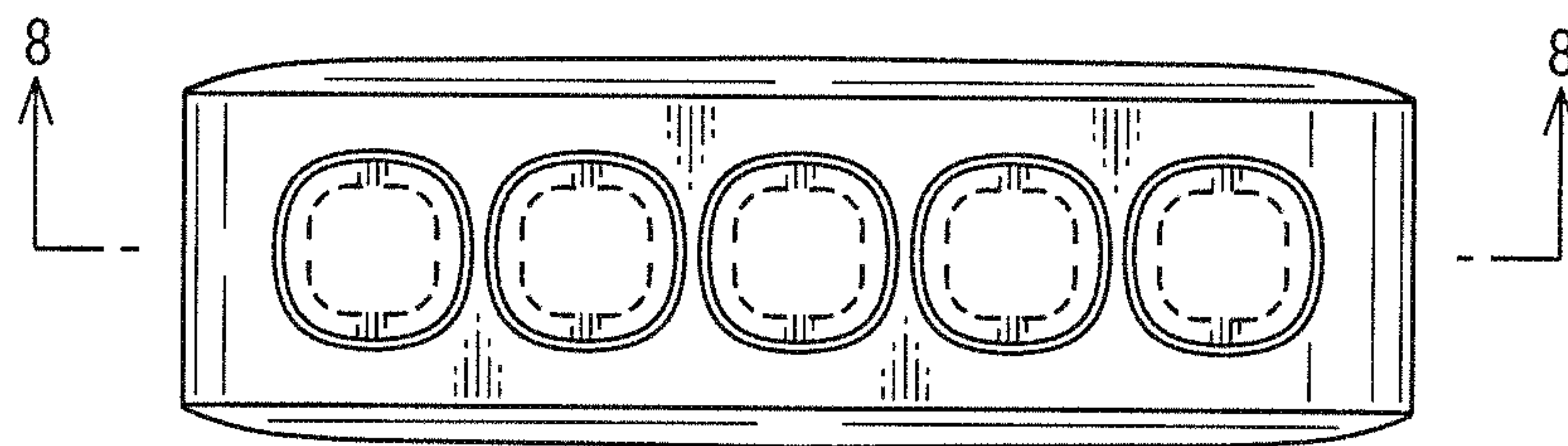


FIG. 6

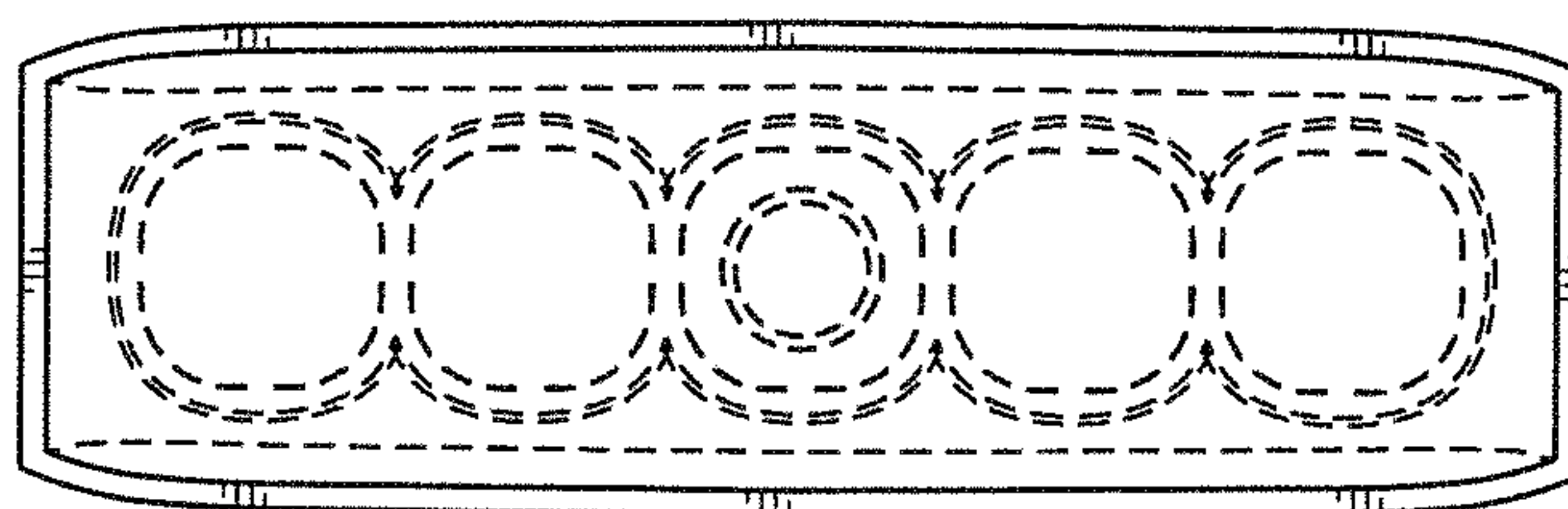


FIG. 7

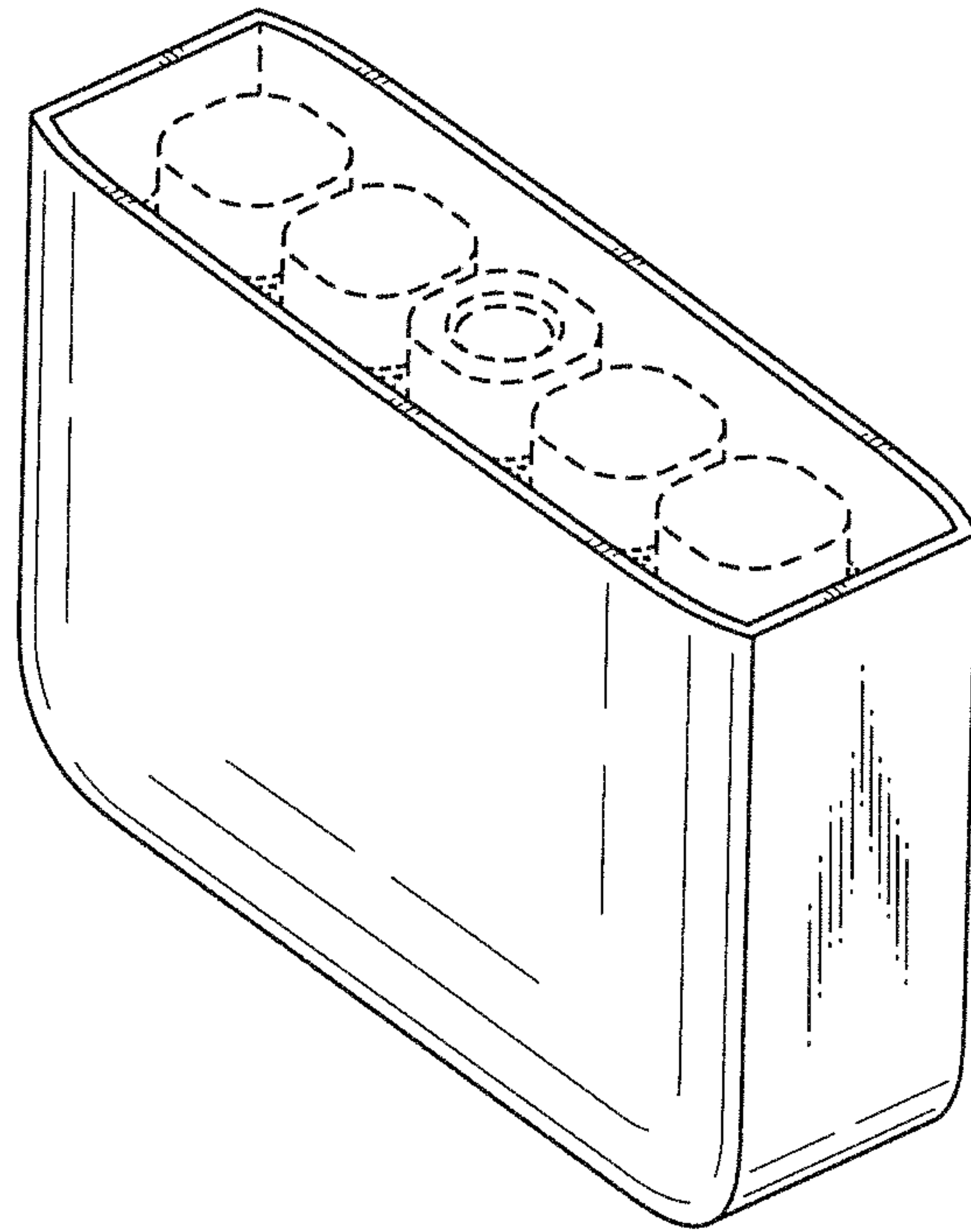


FIG. 8

