



US00D898572S

(12) **United States Design Patent**  
**Faulkner**

(10) **Patent No.:** **US D898,572 S**

(45) **Date of Patent:** **\*\* Oct. 13, 2020**

(54) **ANTI-PRY POP-TOP VIAL**

(71) Applicant: **F&S Tool, Inc.**, Erie, PA (US)

(72) Inventor: **James D. Faulkner**, Erie, PA (US)

(73) Assignee: **F&S Tool, Inc.**, Erie, PA (US)

(\*\*) Term: **15 Years**

(21) Appl. No.: **29/682,952**

(22) Filed: **Mar. 8, 2019**

(51) **LOC (12) Cl.** ..... **09-07**

(52) **U.S. Cl.**

USPC ..... **D9/449**; D9/446

(58) **Field of Classification Search**

USPC ..... D3/201, 202, 242, 243, 272, 276, 304,  
D3/308, 315, 318; D7/387, 601, 602,  
D7/392.1, 396.2, 509, 510, 629; D9/434,  
D9/499, 435-440, 443, 445-450, 454,  
D9/504, 737, 744, 745, 754, 446, 449

CPC ..... B65D 41/32

See application file for complete search history.

(56) **References Cited**

**U.S. PATENT DOCUMENTS**

D526,562 S *	8/2006	Jelich	.....	D9/435
D676,746 S *	2/2013	Shaffer	.....	D9/443
D679,959 S *	4/2013	Lane	.....	D7/615
D712,262 S *	9/2014	Humm	.....	D9/449

(Continued)

**OTHER PUBLICATIONS**

DH Gate. 6 Dr 24ml clear plastic flip pop top vial squeeze Medical Herb hinged lid containers smell proof pump bottle. No date specified. <https://www.dhgate.com/product/6-dr-24ml-clear-plastic-flip-pop-top-vial/447216525.html#seo=WAP> (Year: 0).\*

(Continued)

*Primary Examiner* — Darcey E Gottschalk

(74) *Attorney, Agent, or Firm* — Jonathan M. D'Silva;  
MMI Intellectual Property

(57) **CLAIM**

The ornamental design for an anti-pry pop-top vial, as shown and described.

**DESCRIPTION**

FIG. 1 is a perceptive view of the anti-pry pop-top vial in the closed position;

FIG. 2 is a perceptive view of the anti-pry pop-top vial in the open position;

FIG. 3 is a front view of the anti-pry pop-top vial in the closed position;

FIG. 4 is a front view of the anti-pry pop-top vial in the open position;

FIG. 5 is a back view of the anti-pry pop-top vial in the closed position;

FIG. 6 is a back view of the anti-pry pop-top vial in the open position;

FIG. 7 is a left view of the anti-pry pop-top vial in the closed position;

FIG. 8 is a left view of the anti-pry pop-top vial in the open position;

FIG. 9 is a right view of the anti-pry pop-top vial in the closed position;

FIG. 10 is a right view of the anti-pry pop-top vial in the open position;

FIG. 11 is a top view of the anti-pry pop-top vial in the closed position;

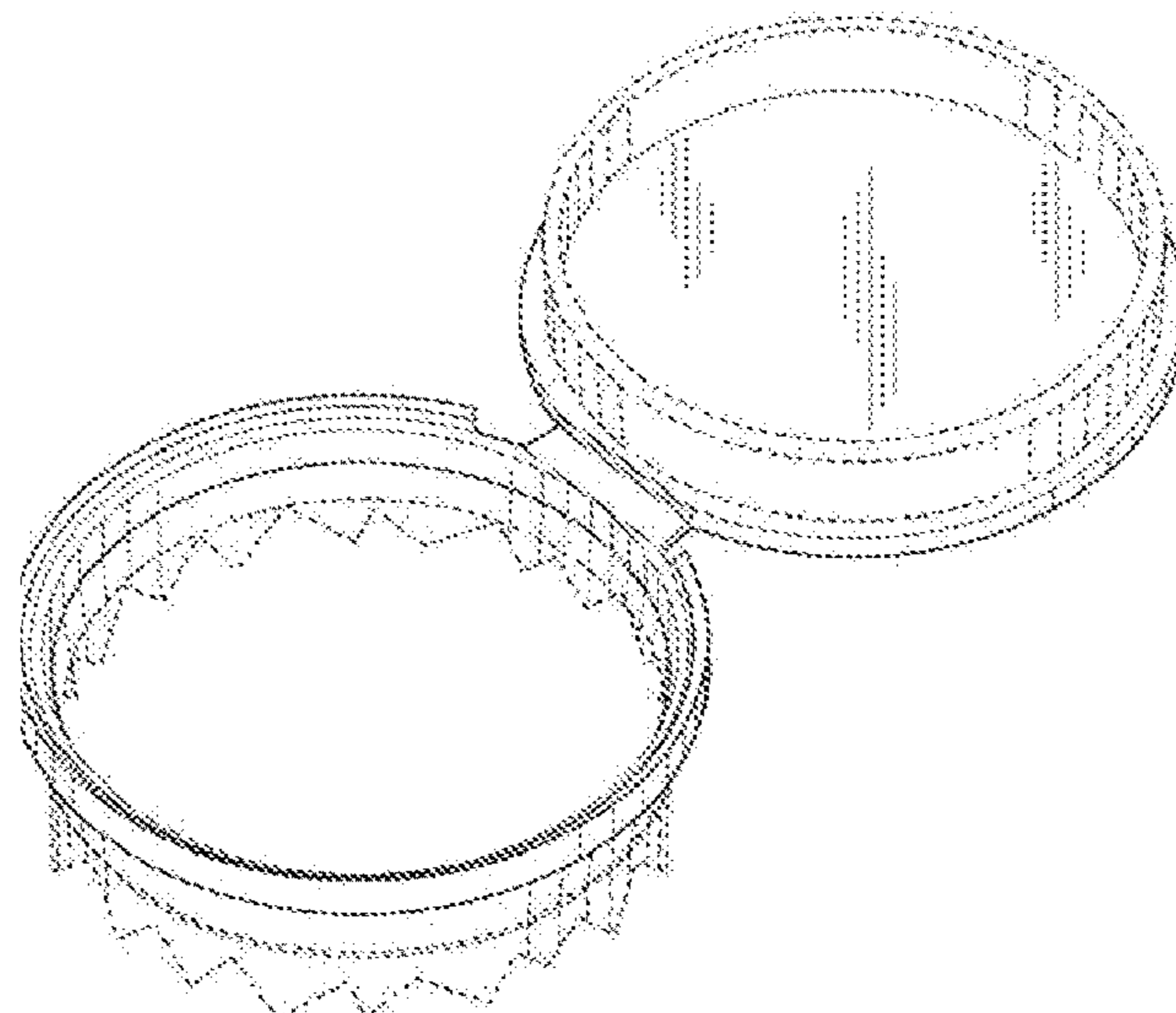
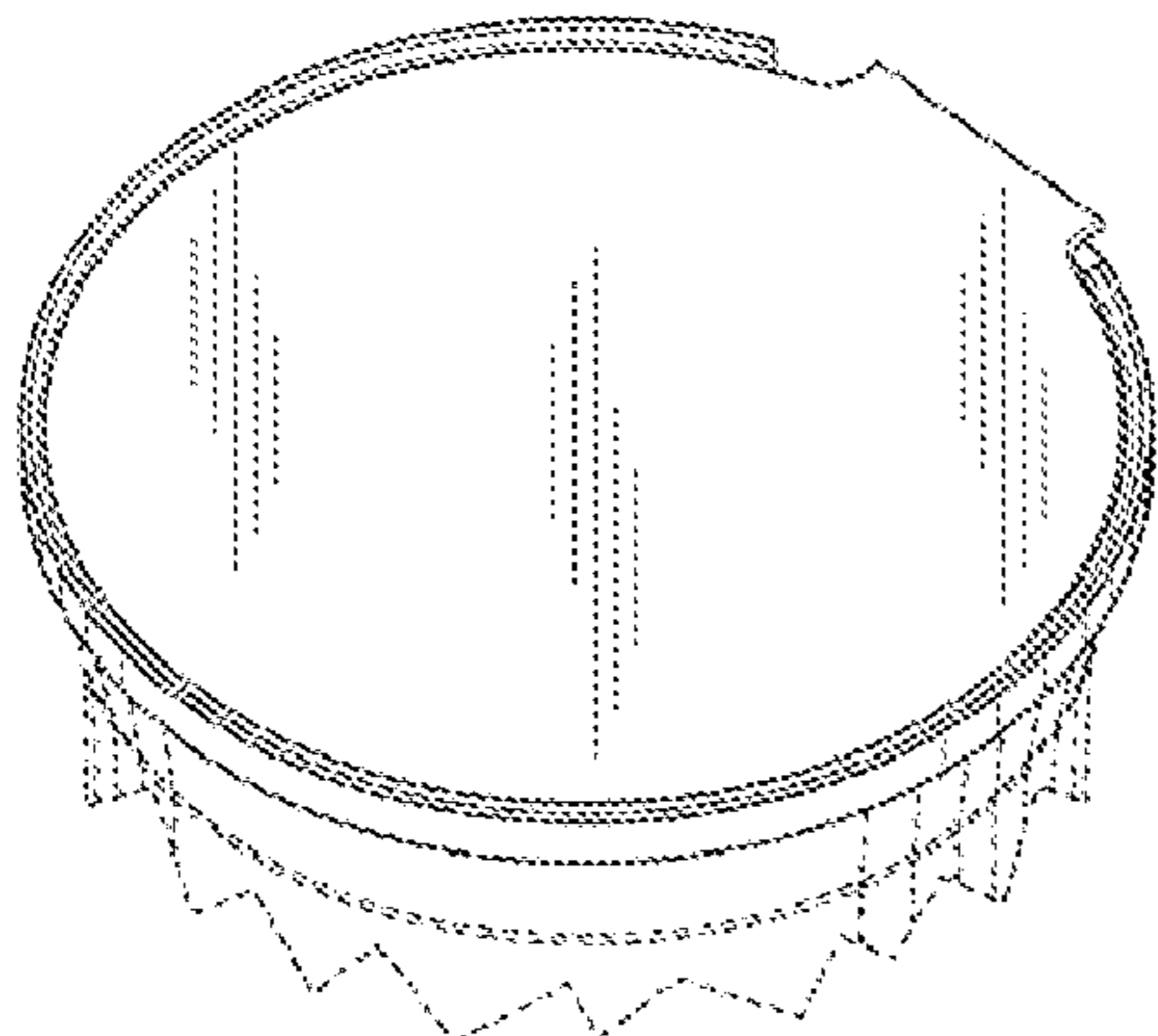
FIG. 12 is a top view of the anti-pry pop-top vial in the open position;

FIG. 13 is a bottom view of the anti-pry pop-top vial in the closed position; and,

FIG. 14 is a bottom view of the anti-pry pop-top vial in the open position.

The dotted lines shown in the figures represents those portions of the vial that form no part of the claimed design.

**1 Claim, 3 Drawing Sheets**



(56)

**References Cited**

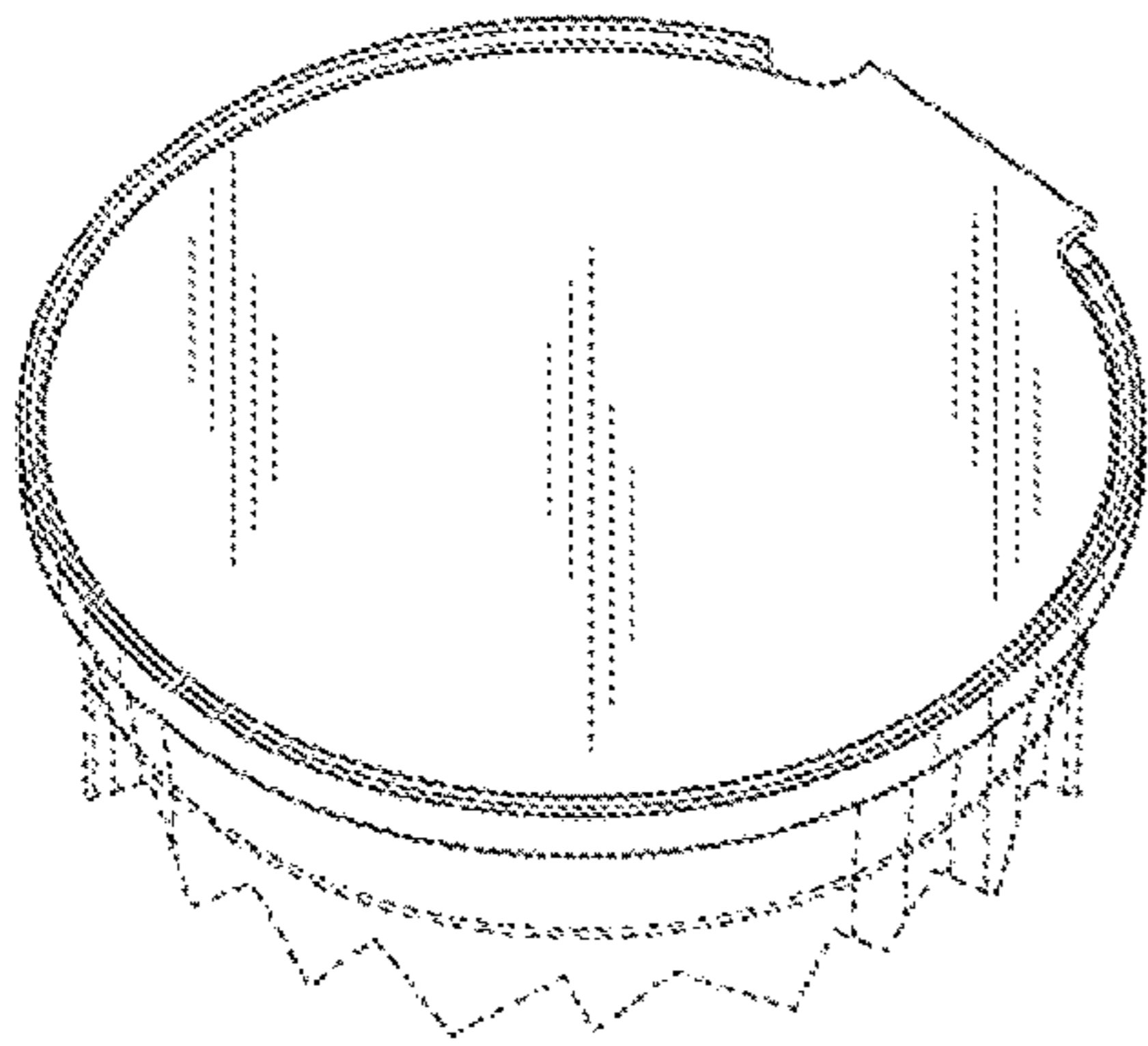
U.S. PATENT DOCUMENTS

D712,264 S *	9/2014	Humm .....	D9/449
D731,239 S *	6/2015	Rothfield .....	D7/392.1
D736,621 S *	8/2015	Ivancic .....	D9/436
D751,380 S *	3/2016	Torrison .....	D9/416
D751,381 S *	3/2016	Torrison .....	D9/416
D751,382 S *	3/2016	Torrison .....	D9/416
D751,383 S *	3/2016	Torrison .....	D9/416
D774,887 S *	12/2016	Torrison .....	D9/416
D804,306 S *	12/2017	Simons .....	D9/454
D816,500 S *	5/2018	Torrison .....	D9/454
D866,248 S *	11/2019	Baron .....	D7/391

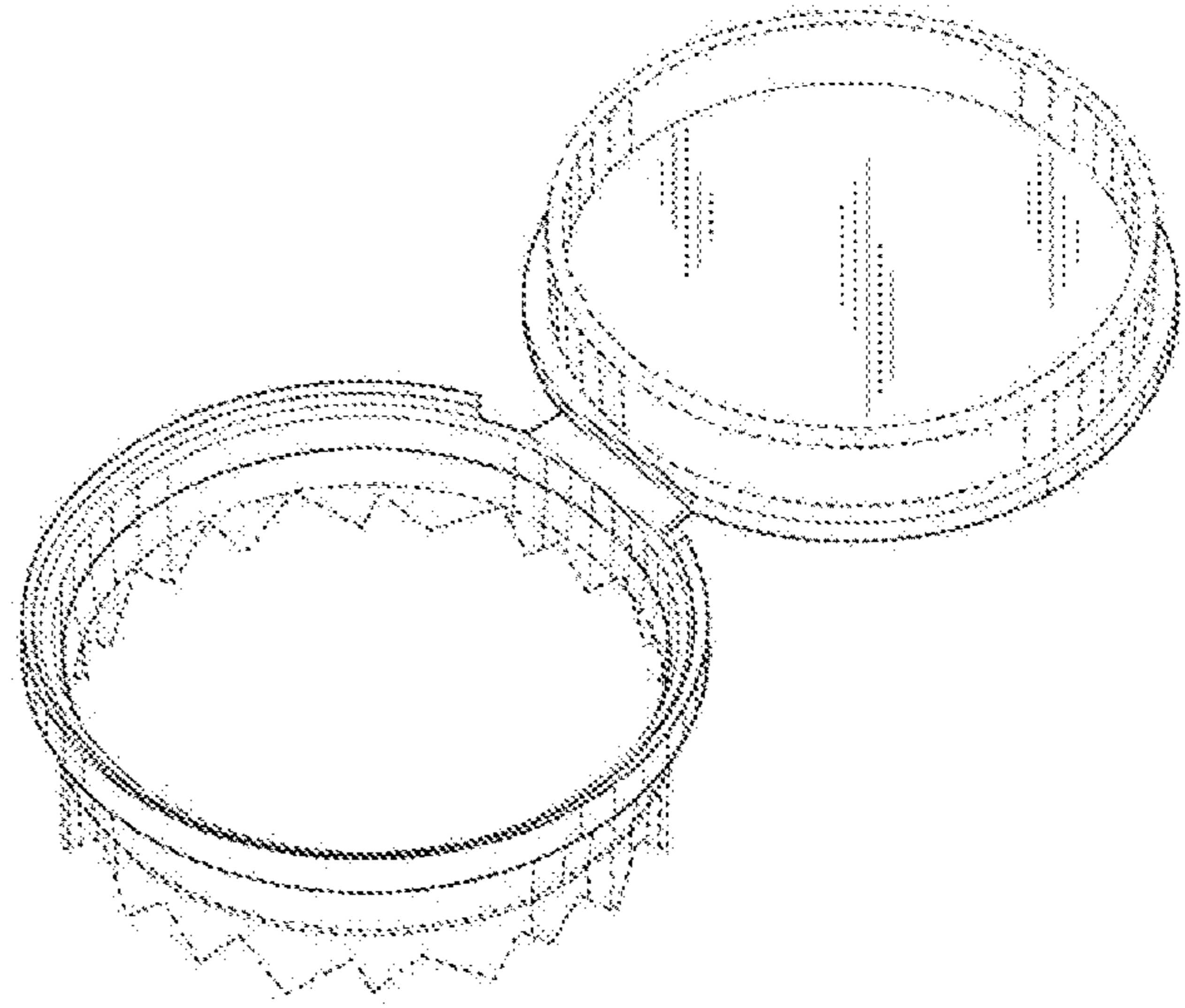
OTHER PUBLICATIONS

Etsy. Natures Web Apothecary—30 Count: 19 Dram BLACK “Pop Top” Hinged Lid Pill Bottles. Dec. 23, 2019. <https://www.etsy.com/listing/478892435/30-count-19-dram-black-pop-top-hinged?frs=1> (Year: 2019).\*

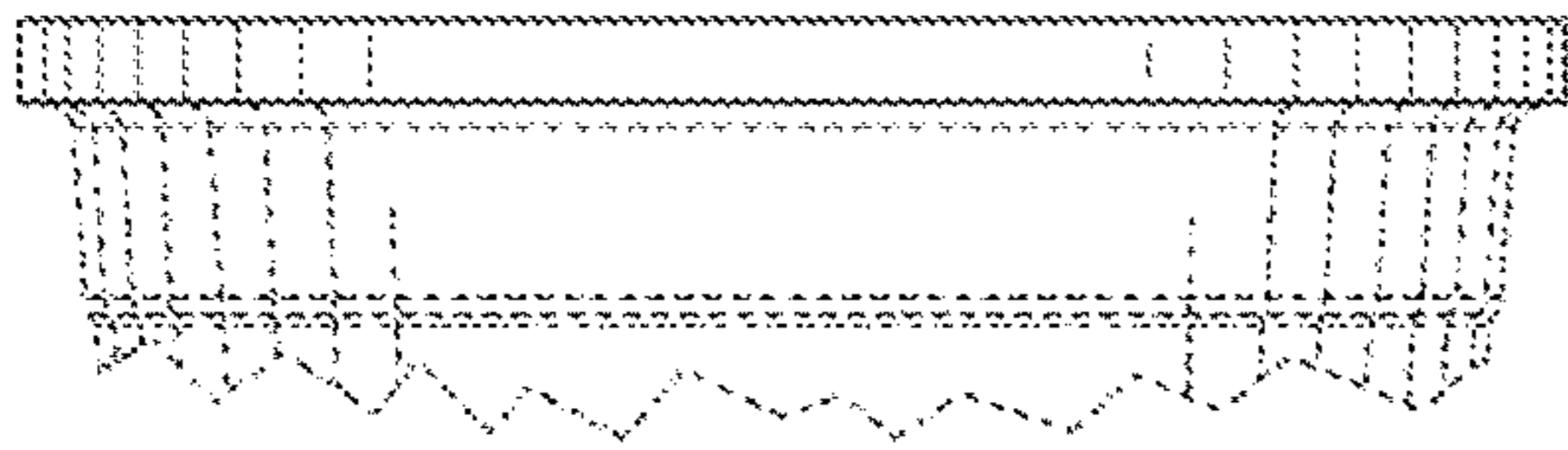
\* cited by examiner



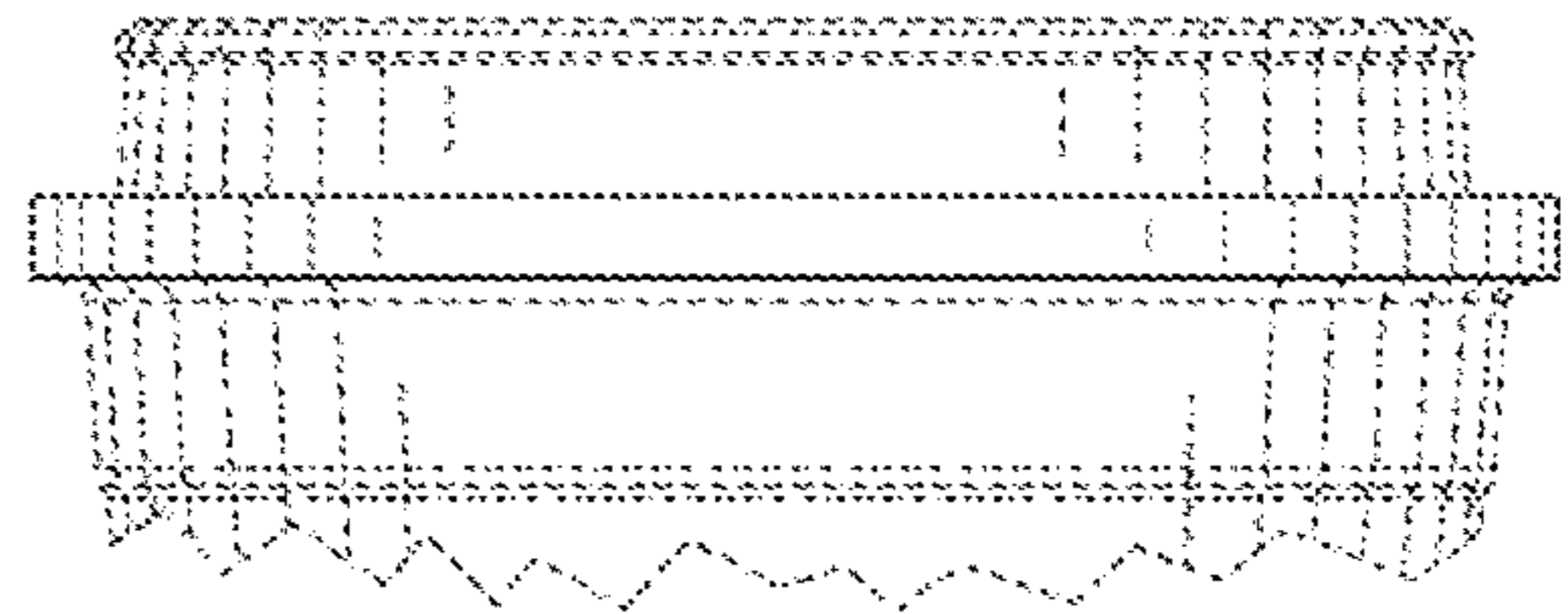
*Fig. 1*



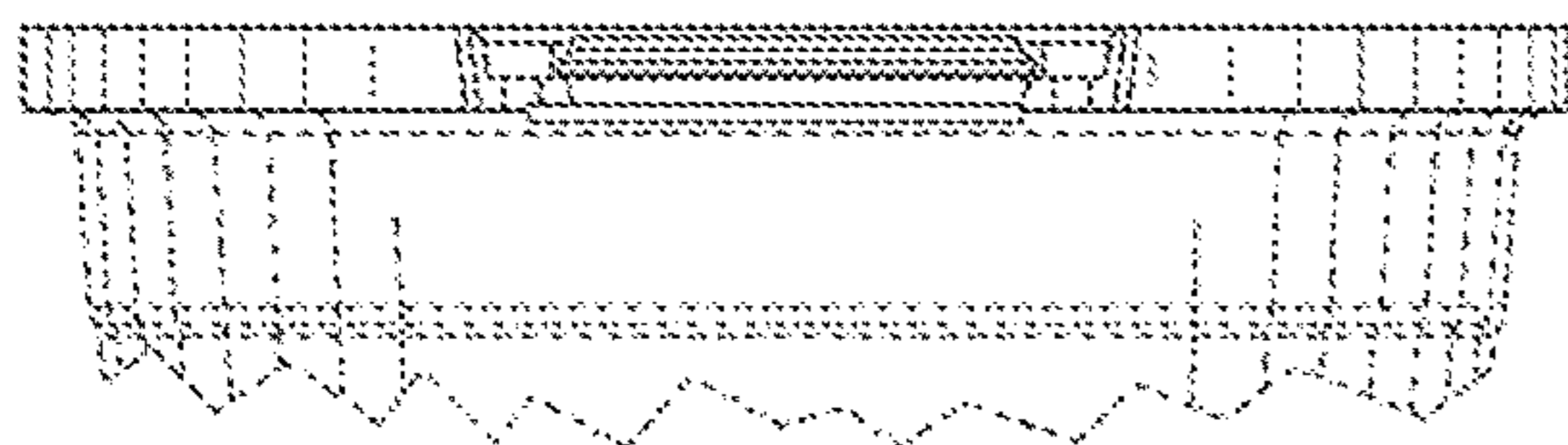
*Fig. 2*



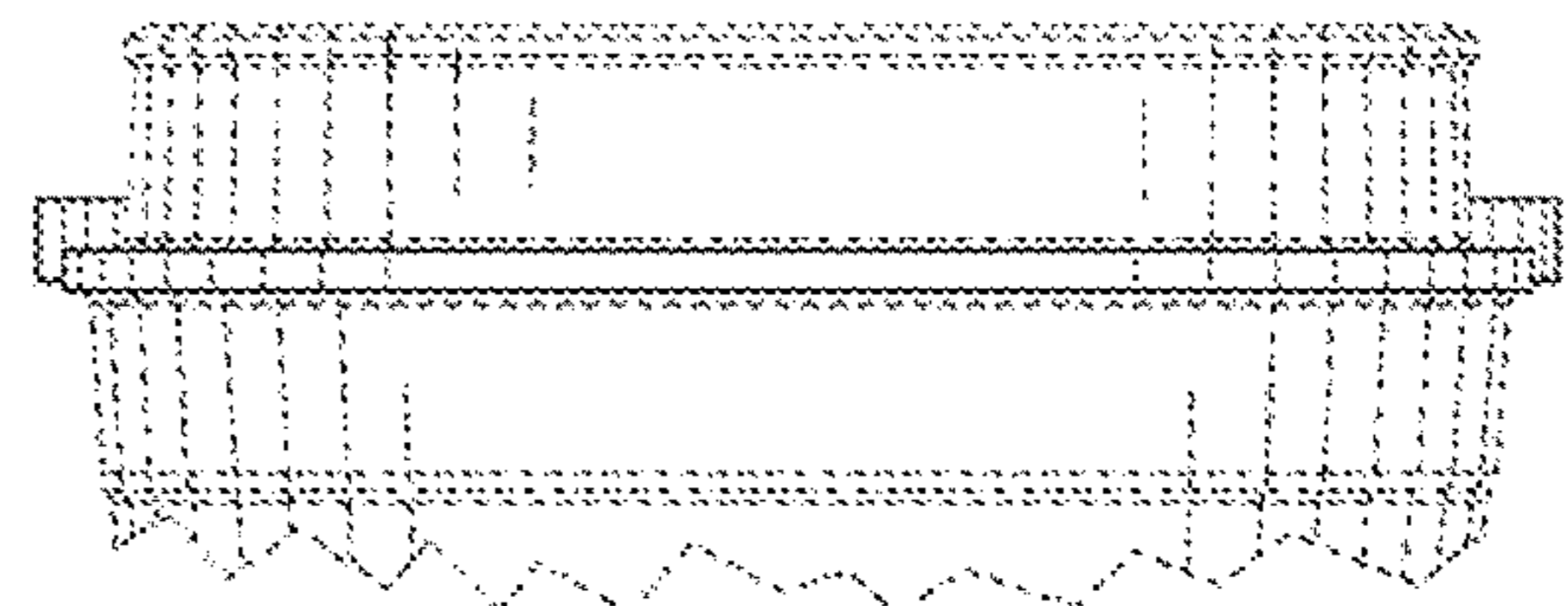
*Fig. 3*



*Fig. 4*

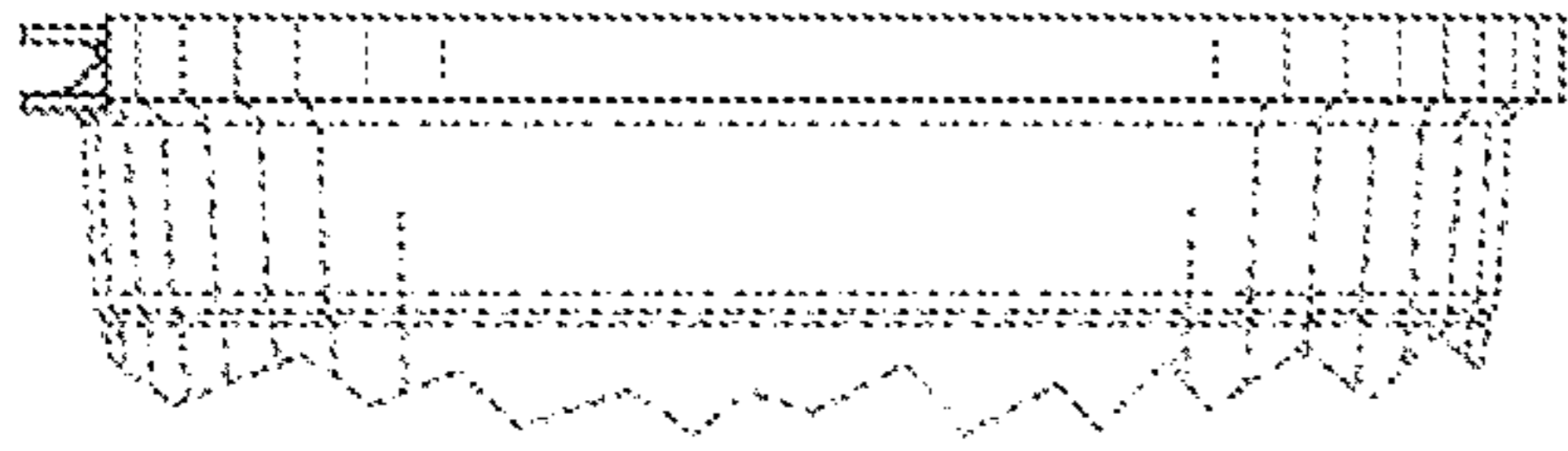


*Fig. 5*

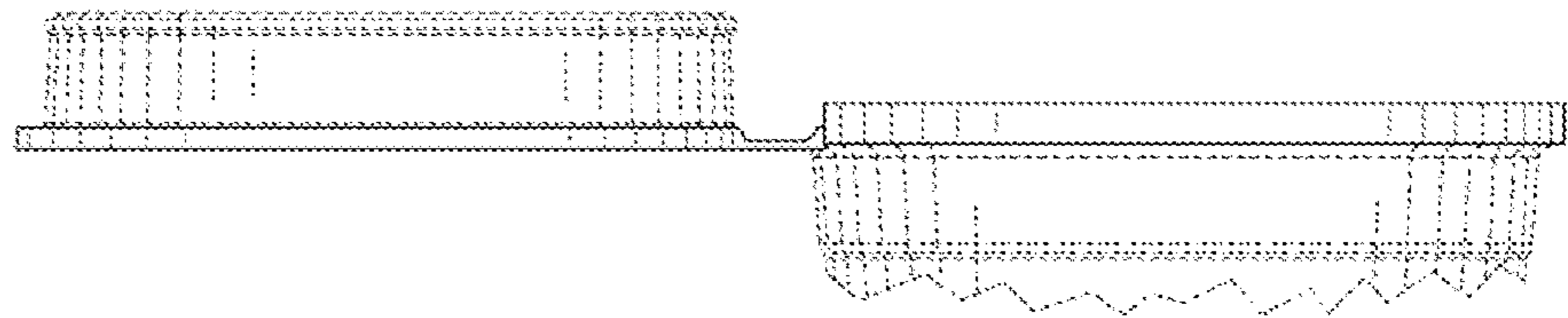


*Fig. 6*

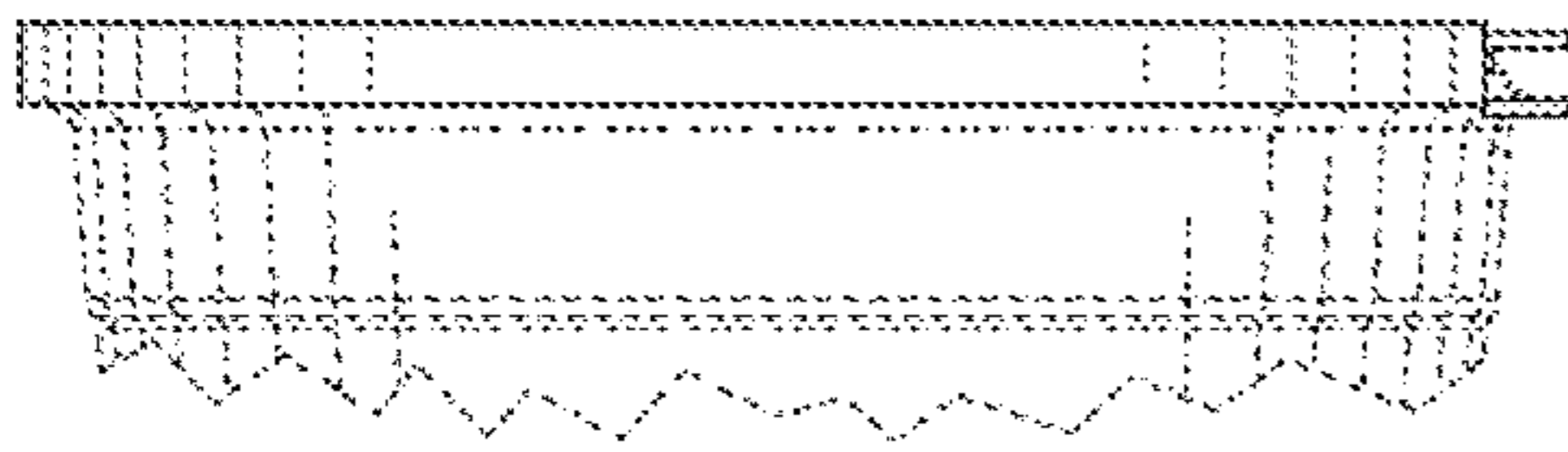




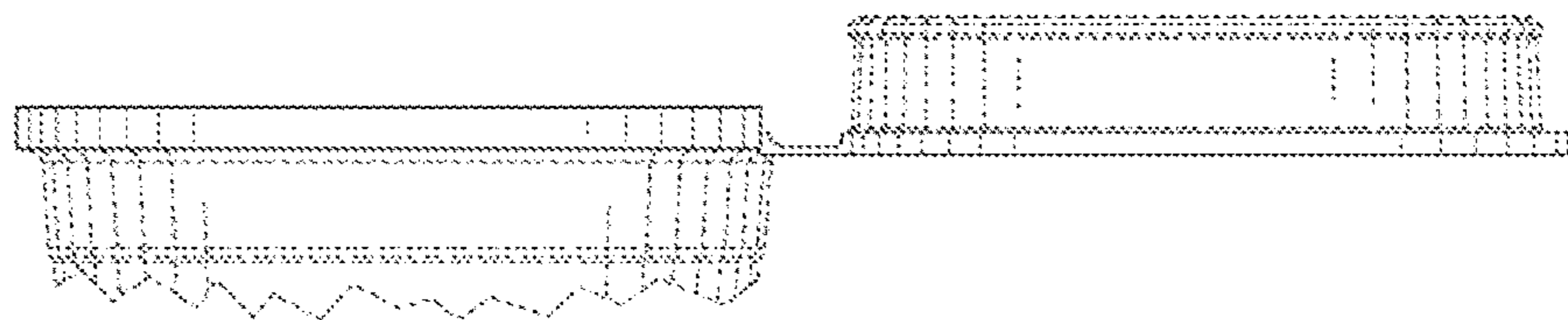
*Fig. 7*



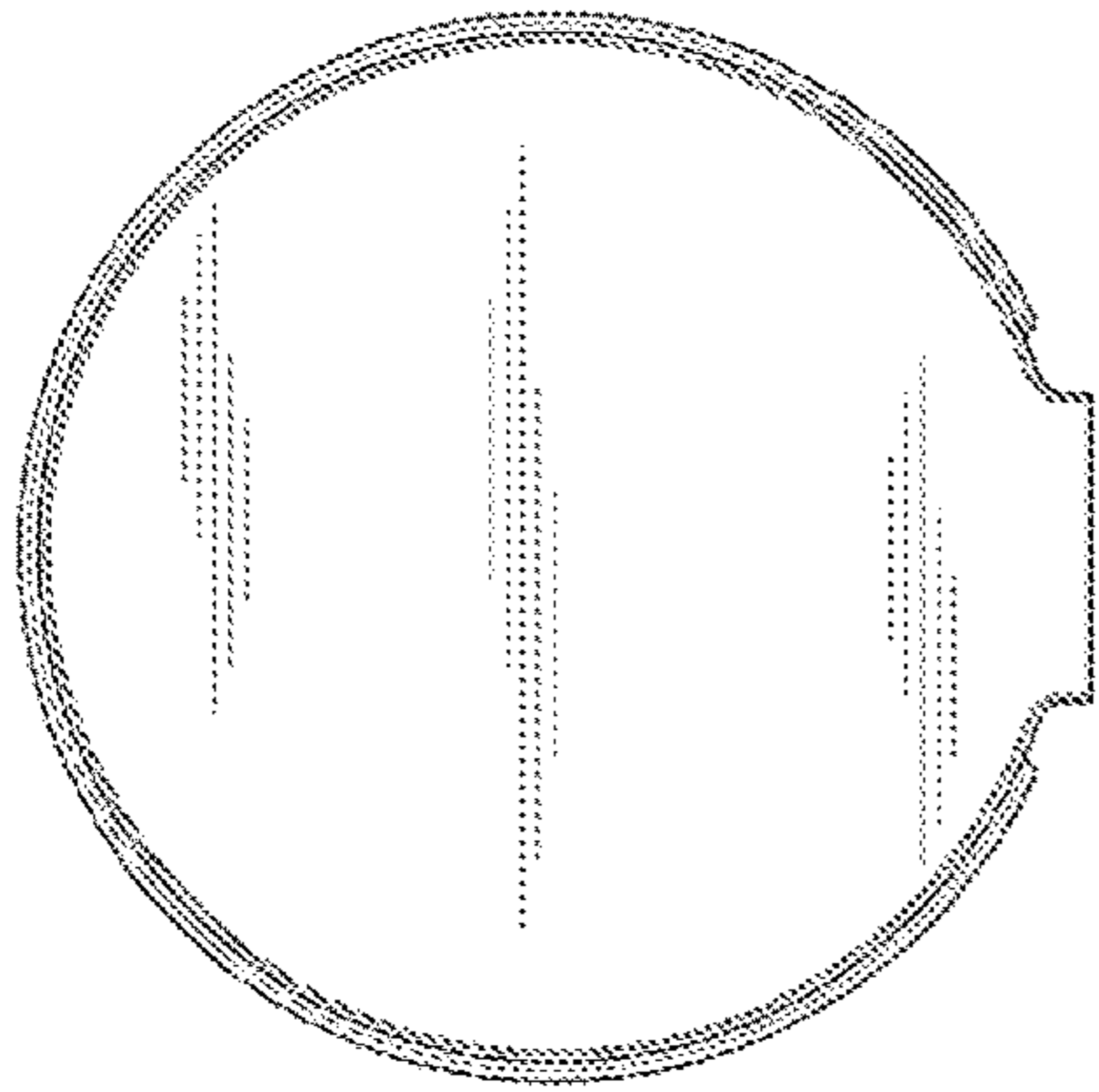
*Fig. 8*



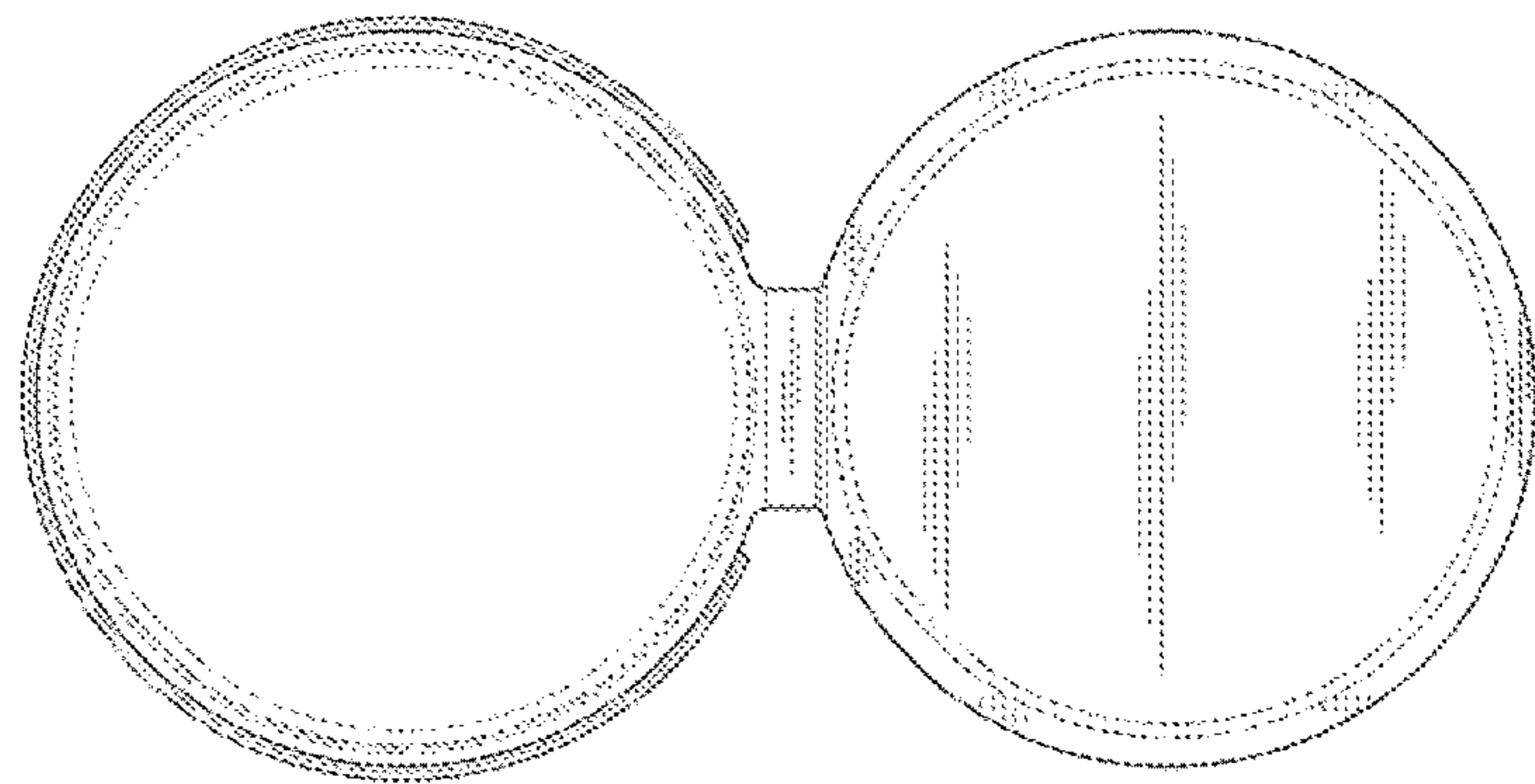
*Fig. 9*



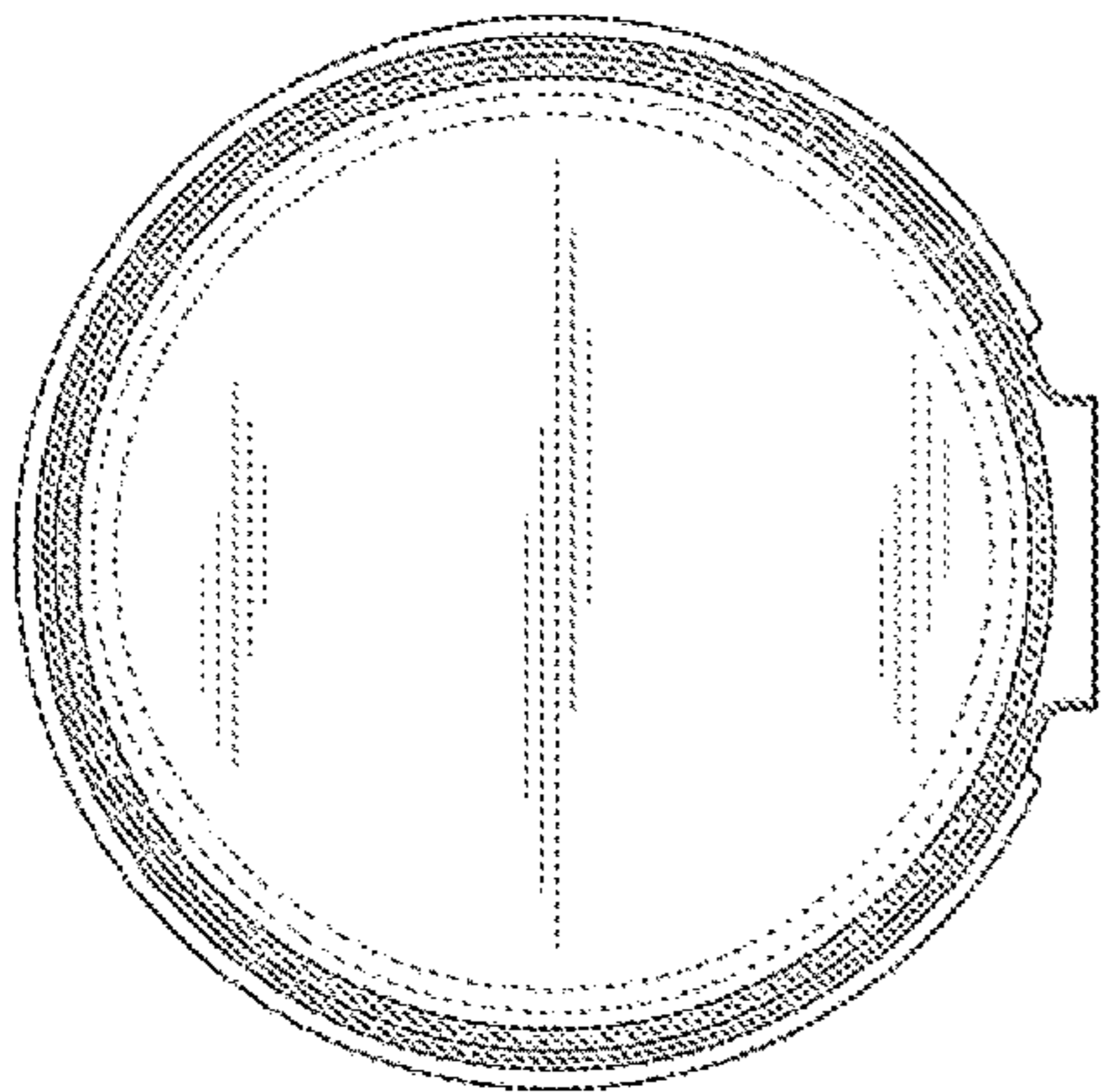
*Fig. 10*



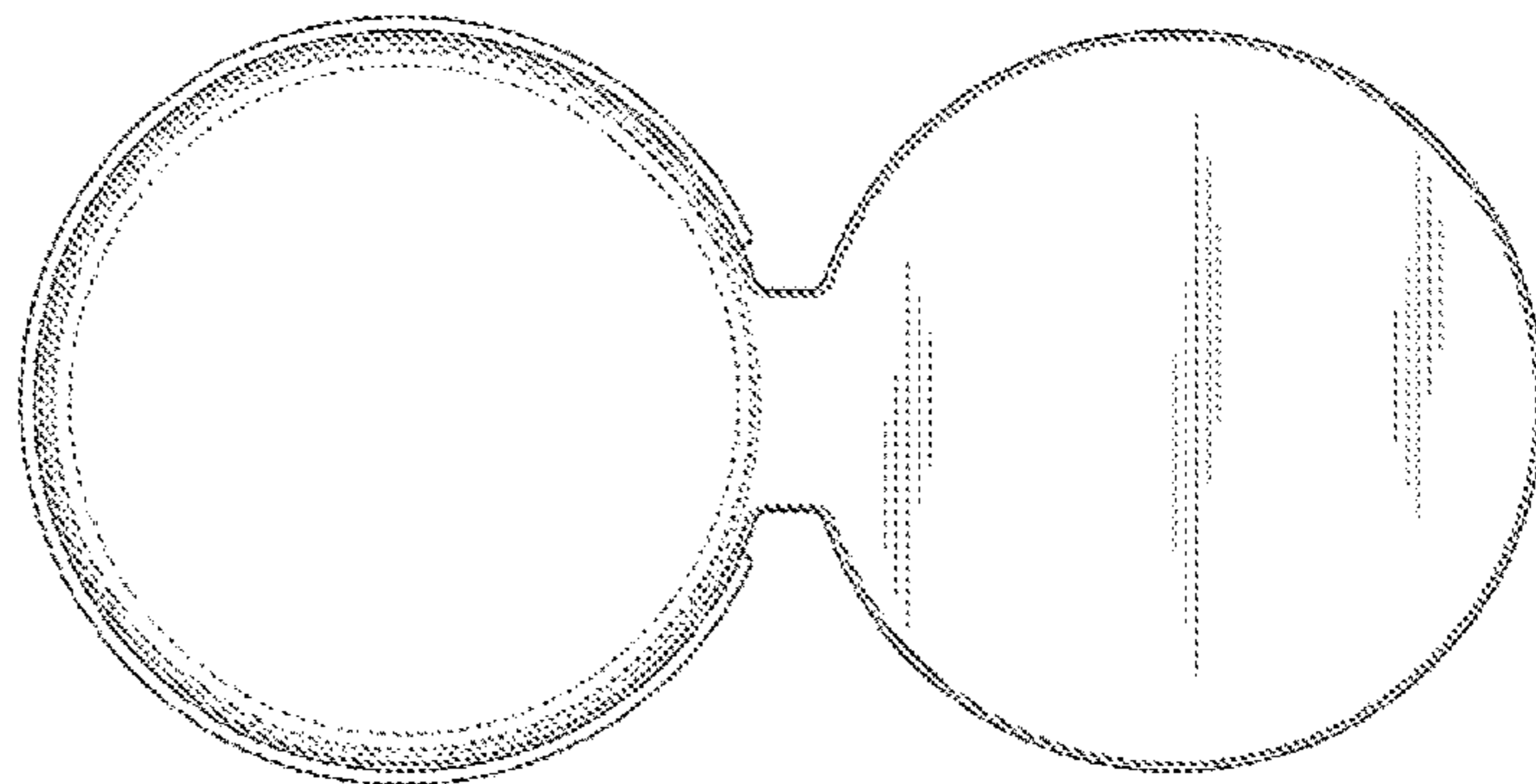
*Fig. 11*



*Fig. 12*



*Fig. 13*



*Fig. 14*