



US00D898570S

(12) **United States Design Patent** (10) **Patent No.:** **US D898,570 S**
Pentland (45) **Date of Patent:** **** Oct. 13, 2020**

(54) **SCREW ON APPLICATOR** 5,908,124 A * 6/1999 Klauke B65D 1/0238
215/42
(71) Applicant: **Ingersoll Products Inc.**, Ingersoll (CA) 6,244,773 B1 * 6/2001 Geremia-Nargi B65D 51/24
401/195
(72) Inventor: **Jamie Pentland**, London (CA) 6,543,655 B1 * 4/2003 de Laforcade B65D 47/36
222/541.9
(73) Assignee: **Ingersoll Products, Inc.**, Ingersoll,
Ontario (CA) D718,131 S * 11/2014 Brown D9/447
D803,054 S * 11/2017 van Spronsen D9/443
D813,669 S * 3/2018 Pentland D9/447
2015/0024131 A1 * 1/2015 Evans B05D 5/005
427/207.1

(**) Term: **15 Years**

(21) Appl. No.: **29/661,053**

(22) Filed: **Aug. 24, 2018**

(51) **LOC (12) Cl.** **09-07**

(52) **U.S. Cl.**
USPC **D9/447; D8/45**

(58) **Field of Classification Search**
USPC D8/14, 45, 14.1; D9/435, 436, 447;
D28/7

CPC .. A61J 1/00; A61J 1/1412; B65D 1/00; B65D
1/02; B65D 1/10; B65D 1/46; B65D
2585/56; B65D 2585/545; B65D 41/00;
B65D 41/38; B65D 41/56; B65D 41/62;
B65D 47/00; B65D 47/06; B65D 47/08;
B65D 2543/00046; B65D 2543/00092;
B65D 2543/00296; B65D 5/46; B65D
2251/00; B65D 47/42

See application file for complete search history.

(56) **References Cited**

U.S. PATENT DOCUMENTS

3,133,300 A * 5/1964 Freeman B65D 47/42
401/139
3,963,357 A * 6/1976 Crisp B65D 35/36
401/191
D358,329 S * 5/1995 Dickie D9/443
D371,494 S * 7/1996 Groene D8/14.1
5,788,104 A * 8/1998 Hoyt B65D 35/36
15/236.01

* cited by examiner

Primary Examiner — Philip S Hyder

(74) *Attorney, Agent, or Firm* — Ridout & Maybee LLP

(57) **CLAIM**

The ornamental design for the screw on applicator, as shown and described.

DESCRIPTION

FIG. 1 is a nozzle side top perspective view of a screw on applicator;
FIG. 2 is a nozzle side elevation view of the screw on applicator;
FIG. 3 is a right side elevation view of the screw on applicator;
FIG. 4 is a top plan view of the screw on applicator;
FIG. 5 is a bottom plan view of the screw on applicator;
FIG. 6 is a blade side elevation view of the screw on applicator; and,
FIG. 7 is a blade side top perspective view of the screw on applicator.

Left side elevation view is mirror image of right side elevation view.

The broken lines depict portions of the screw on applicator in which the design is embodied that are not considered part of the claimed design.

1 Claim, 4 Drawing Sheets

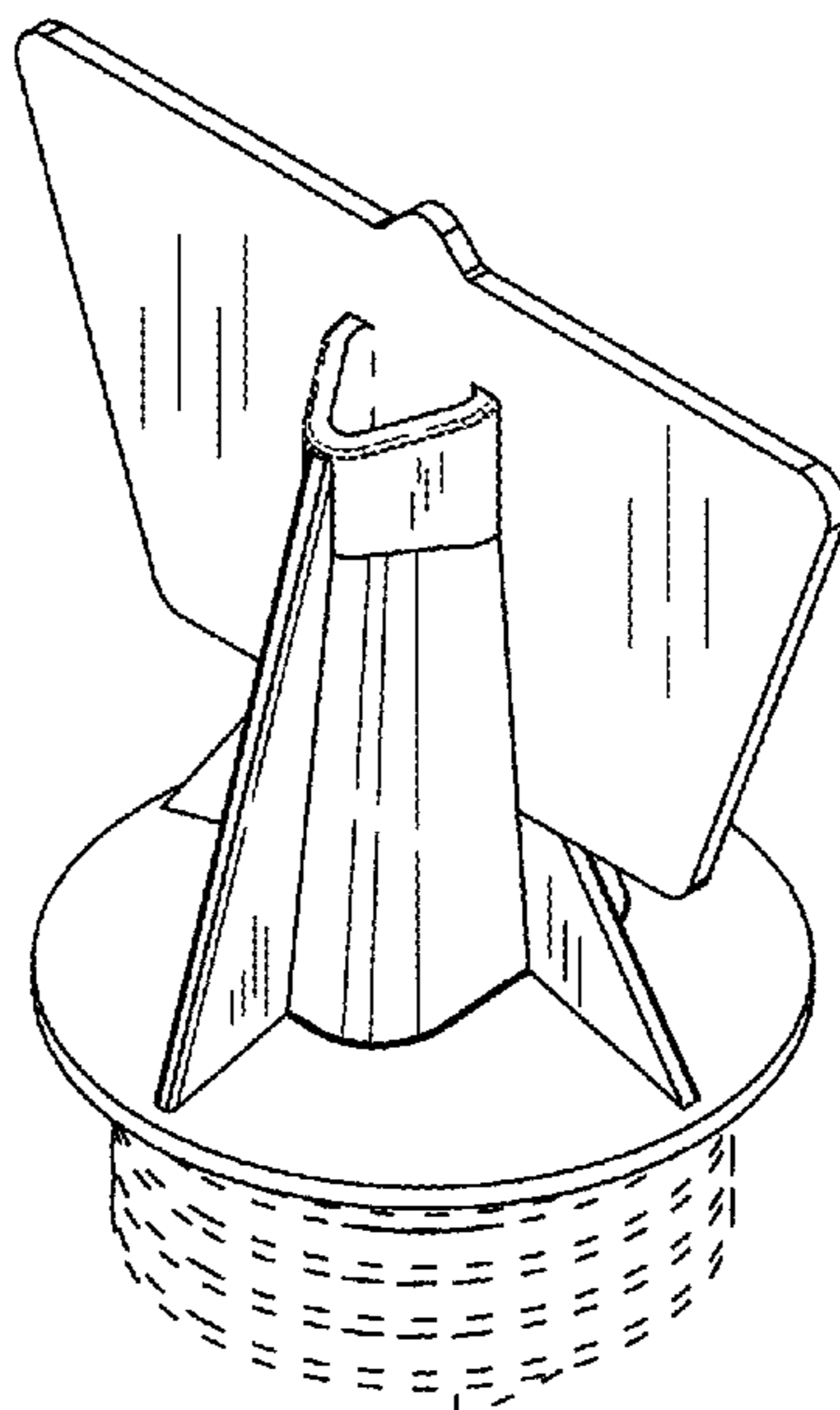


FIGURE 1

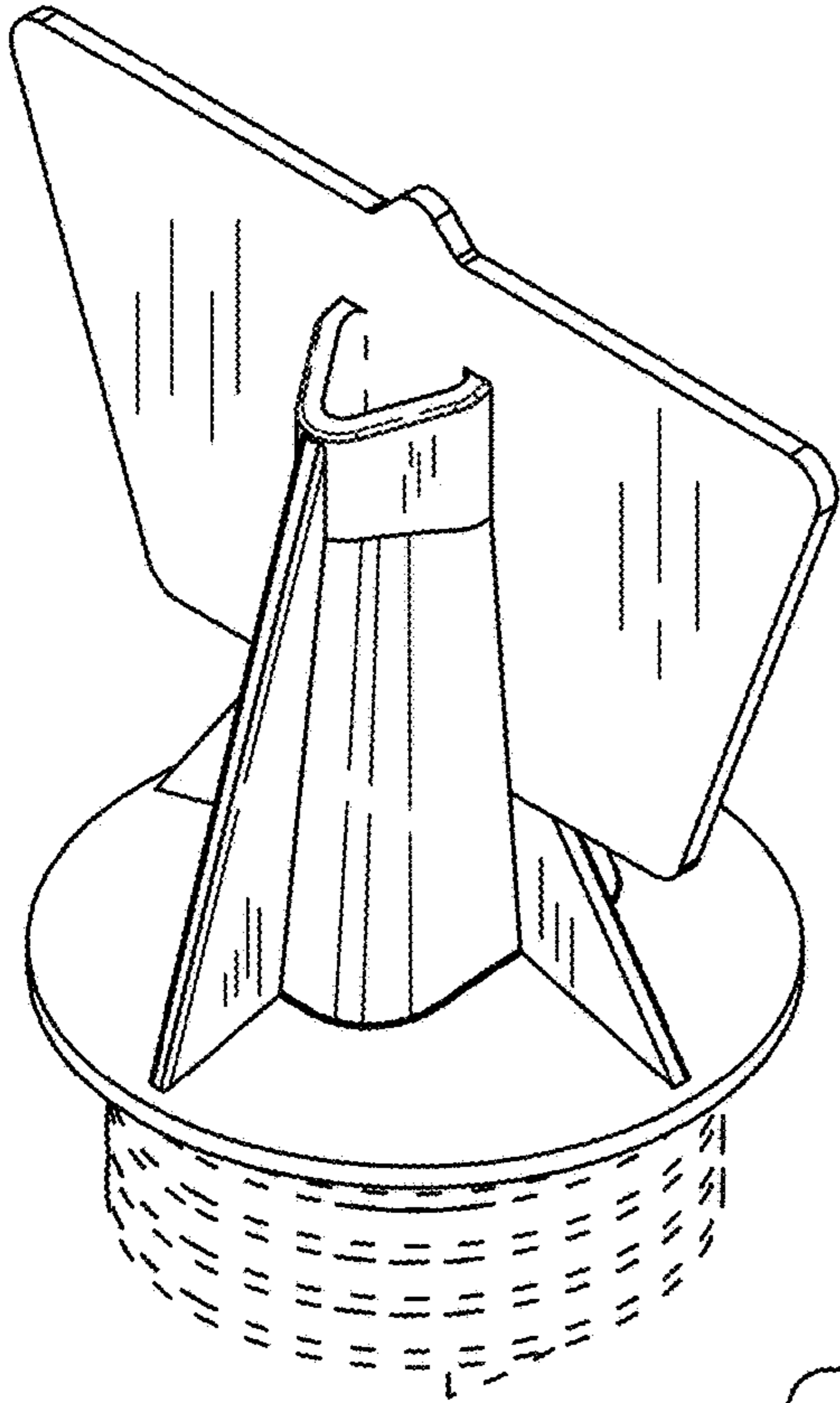


FIGURE 2

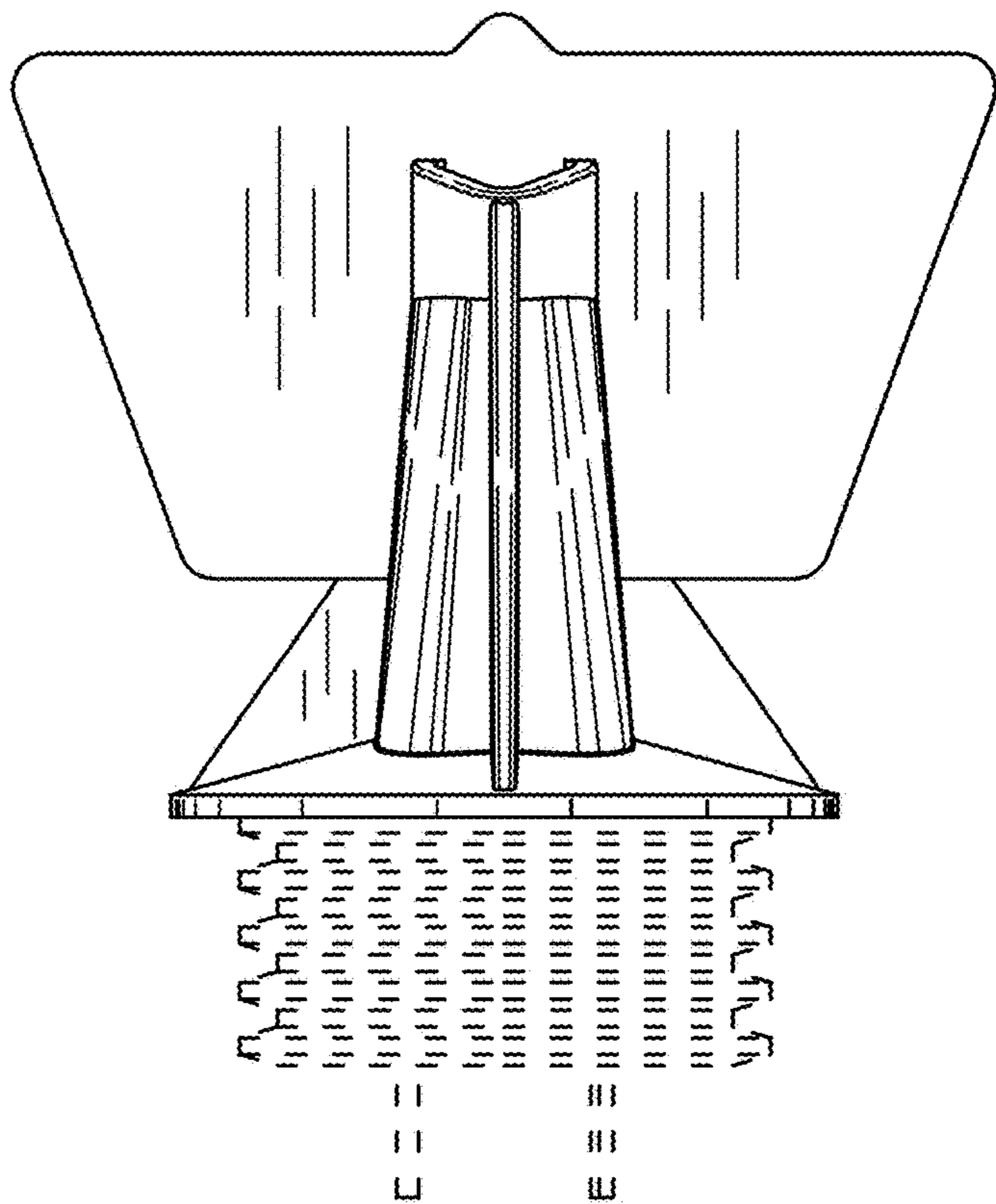


FIGURE 3

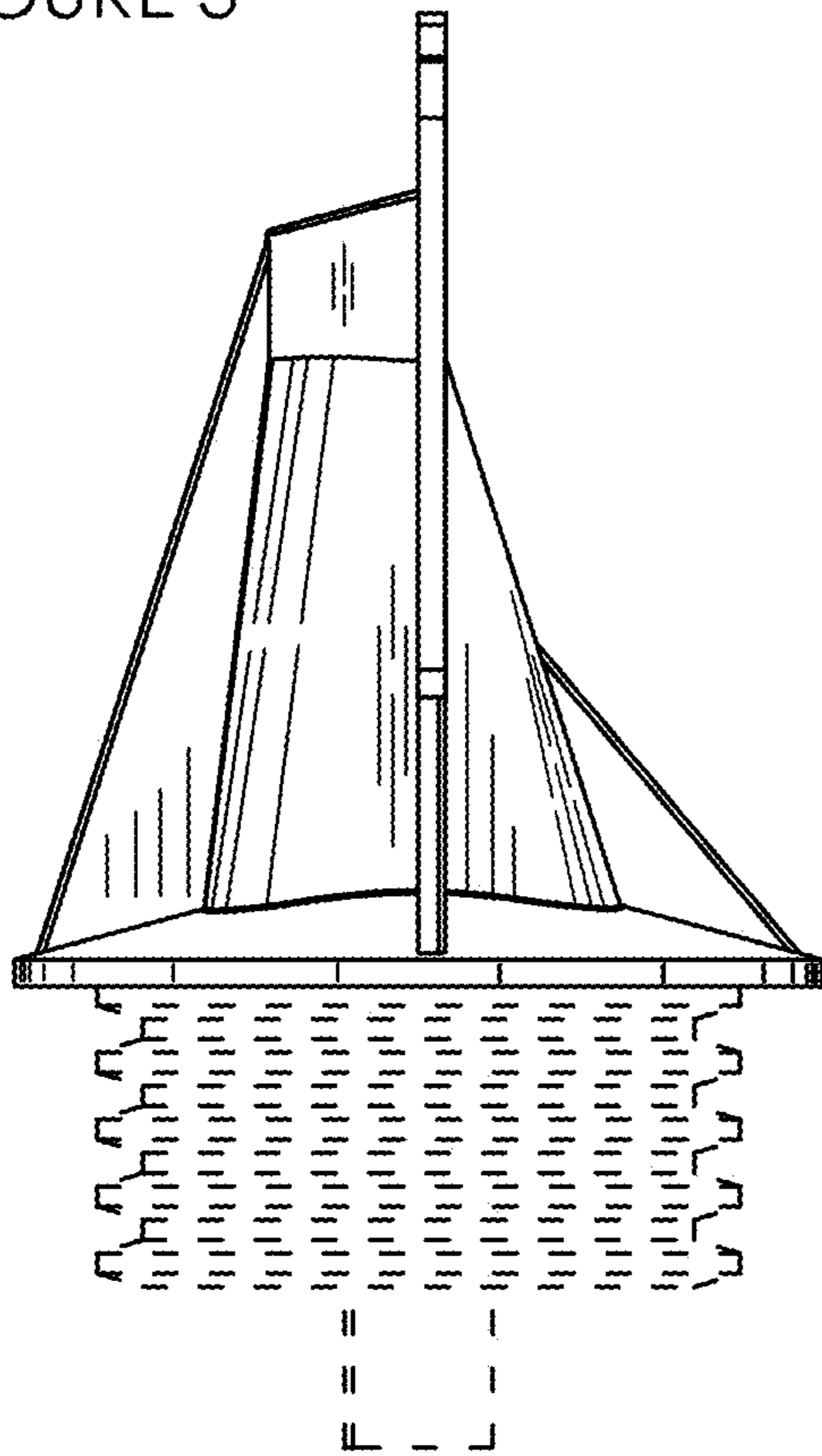


FIGURE 4

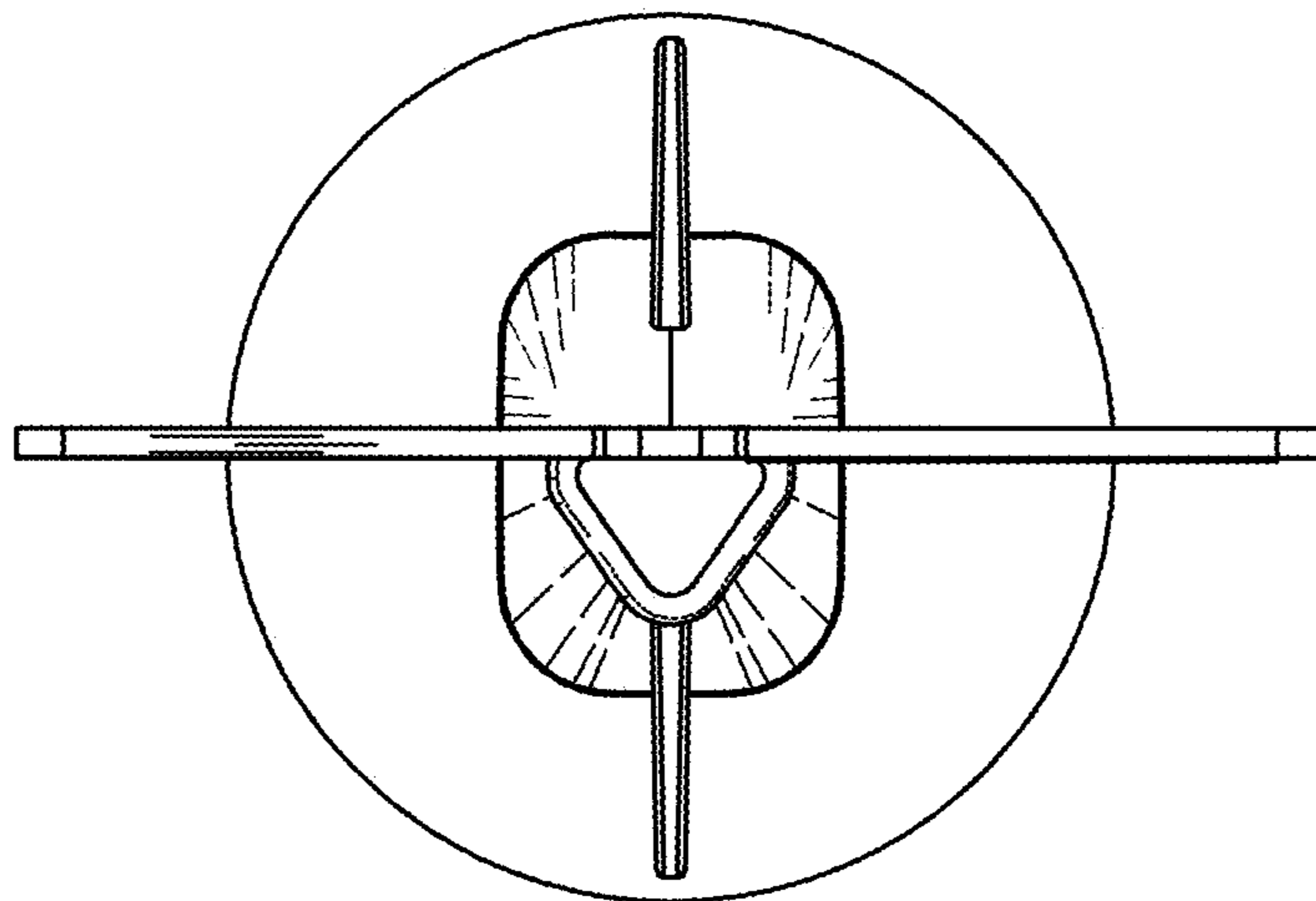


FIGURE 5

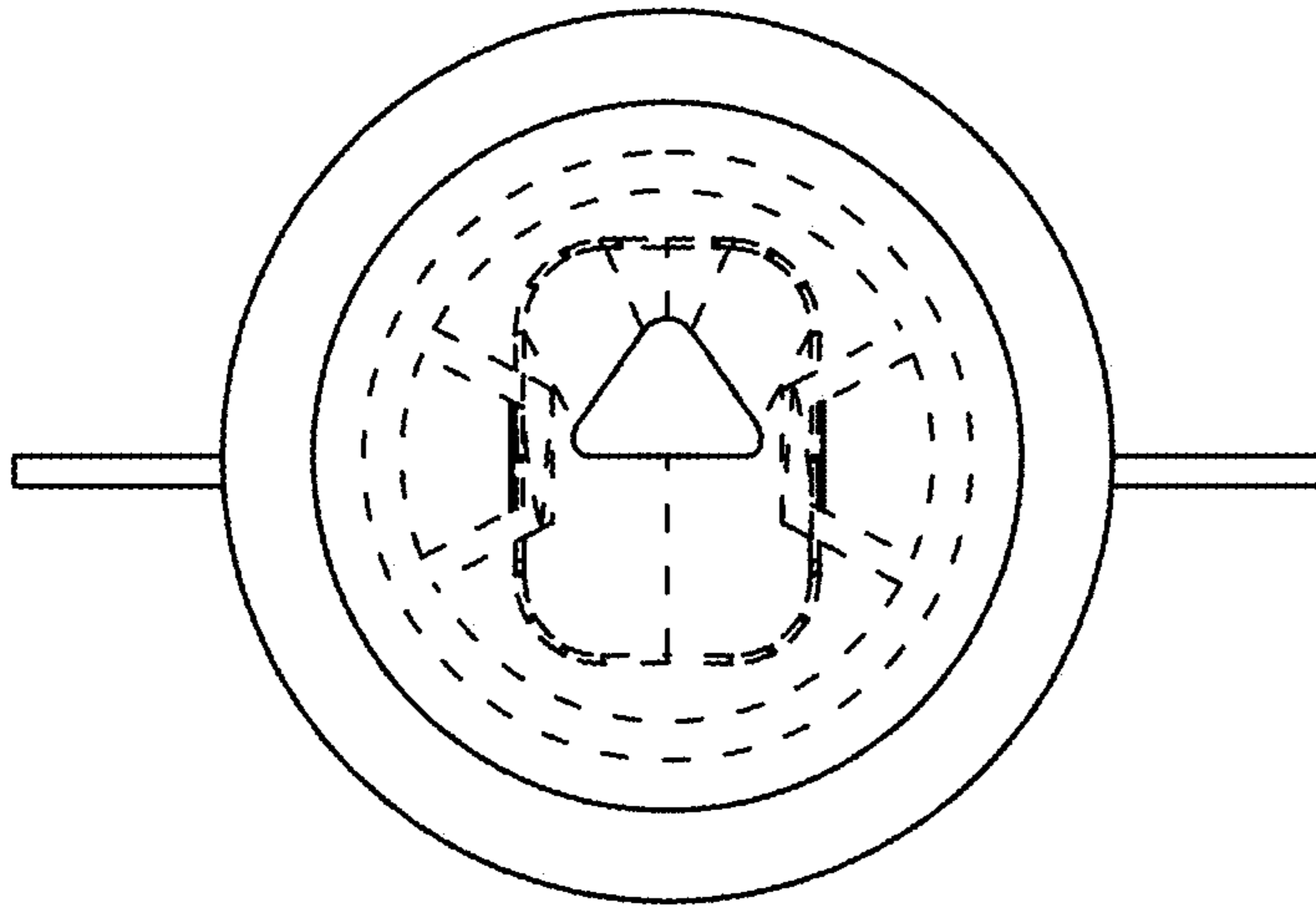


FIGURE 6

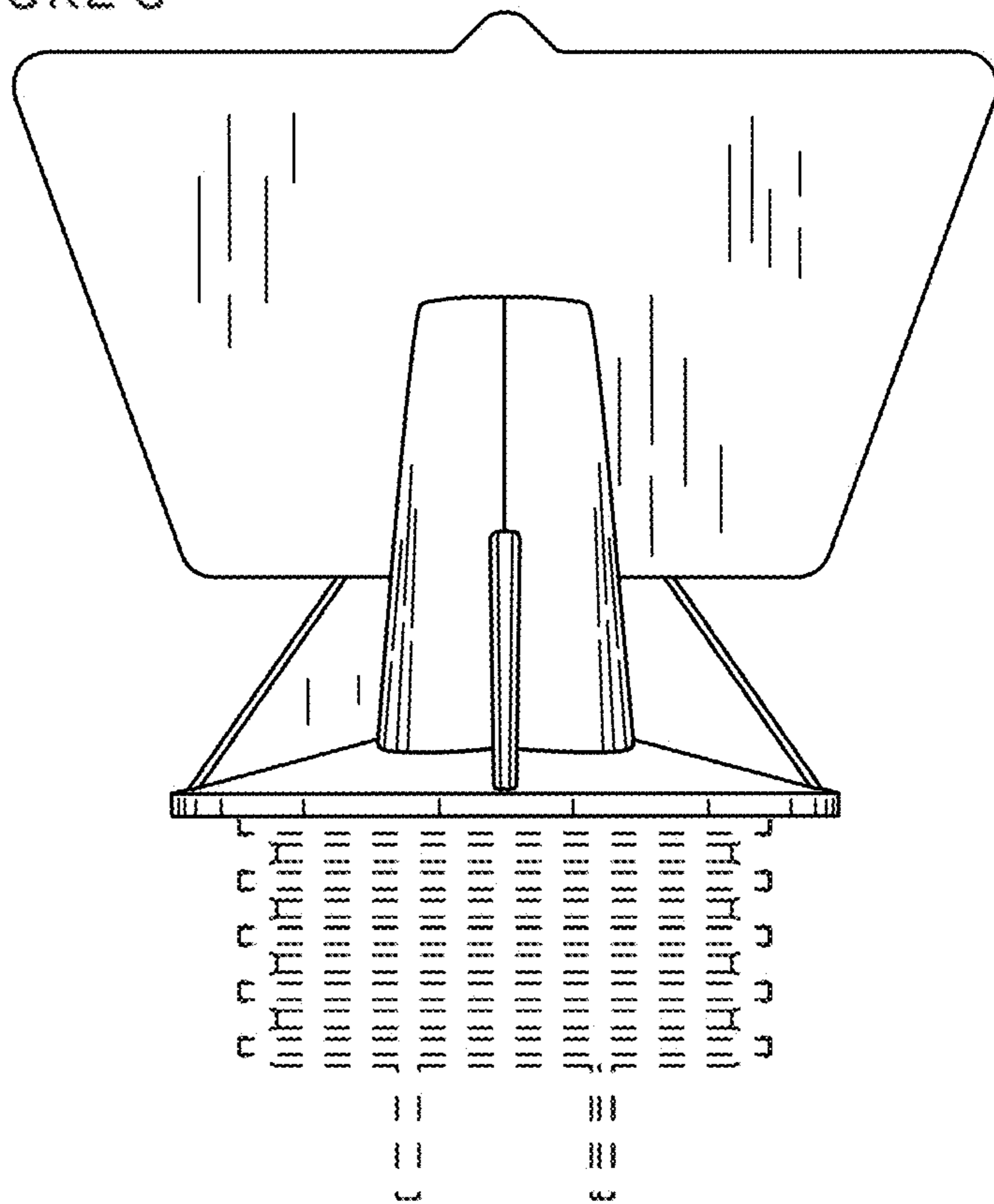


FIGURE 7

