

US00D898569S

(12) **United States Design Patent**  
**Pentland**

(10) **Patent No.:** **US D898,569 S**

(45) **Date of Patent:** **\*\* Oct. 13, 2020**

(54) **SCREW ON APPLICATOR**  
(71) Applicant: **Ingersoll Products Inc.**, Ingersoll (CA)  
(72) Inventor: **Jamie Pentland**, London (CA)  
(73) Assignee: **Ingersoll Products, Inc.**, Ingersoll,  
Ontario (CA)  
(\*\*) Term: **15 Years**

5,908,124 A \* 6/1999 Klauke ..... B65D 1/0238  
215/42  
6,244,773 B1 \* 6/2001 Geremia-Nargi ..... B65D 51/24  
401/195  
6,543,655 B1 \* 4/2003 de Laforcade ..... B65D 47/36  
222/541.9  
D718,131 S \* 11/2014 Brown ..... D9/447  
D803,054 S \* 11/2017 van Spronsen ..... D9/443  
D813,669 S \* 3/2018 Pentland ..... D9/447  
2015/0024131 A1 \* 1/2015 Evans ..... B05D 5/005  
427/207.1

(21) Appl. No.: **29/660,719**  
(22) Filed: **Aug. 22, 2018**  
(51) **LOC (12) Cl.** ..... **09-07**  
(52) **U.S. Cl.**  
USPC ..... **D9/447; D8/45**  
(58) **Field of Classification Search**  
USPC ..... D8/14, 45, 14.1; D9/435, 436, 447;  
D28/7  
CPC .. A61J 1/00; A61J 1/1412; B65D 1/00; B65D  
1/02; B65D 1/10; B65D 1/46; B65D  
2585/56; B65D 2585/545; B65D 41/00;  
B65D 41/38; B65D 41/56; B65D 41/62;  
B65D 47/00; B65D 47/06; B65D 47/08;  
B65D 2543/00046; B65D 2543/00092;  
B65D 2543/00296; B65D 5/46; B65D  
2251/00; B65D 47/42  
See application file for complete search history.

\* cited by examiner

*Primary Examiner* — Philip S Hyder  
(74) *Attorney, Agent, or Firm* — Ridout & Maybee LLP

(57) **CLAIM**

The ornamental design for the screw on applicator, as shown and described.

**DESCRIPTION**

FIG. 1 is a nozzle side top perspective view of a screw on applicator;  
FIG. 2 is a nozzle side plan elevation view of the screw on applicator;  
FIG. 3 is a right side plan elevation view of the screw on applicator;  
FIG. 4 is a top plan view of the screw on applicator;  
FIG. 5 is a bottom plan view of the screw on applicator;  
FIG. 6 is a blade side plan elevation view of the screw on applicator; and,  
FIG. 7 is a blade side top perspective view of the screw on applicator.  
Left side elevation view is mirror image of right side elevation view.  
The broken lines depict portions of the screw on applicator in which the design is embodied that are not considered part of the claimed design.

(56) **References Cited**

**U.S. PATENT DOCUMENTS**

3,133,300 A \* 5/1964 Freeman ..... B65D 47/42  
401/139  
3,963,357 A \* 6/1976 Crisp ..... B65D 35/36  
401/191  
D358,329 S \* 5/1995 Dickie ..... D9/443  
D371,494 S \* 7/1996 Groene ..... D8/14.1  
5,788,104 A \* 8/1998 Hoyt ..... B65D 35/36  
15/236.01

**1 Claim, 4 Drawing Sheets**

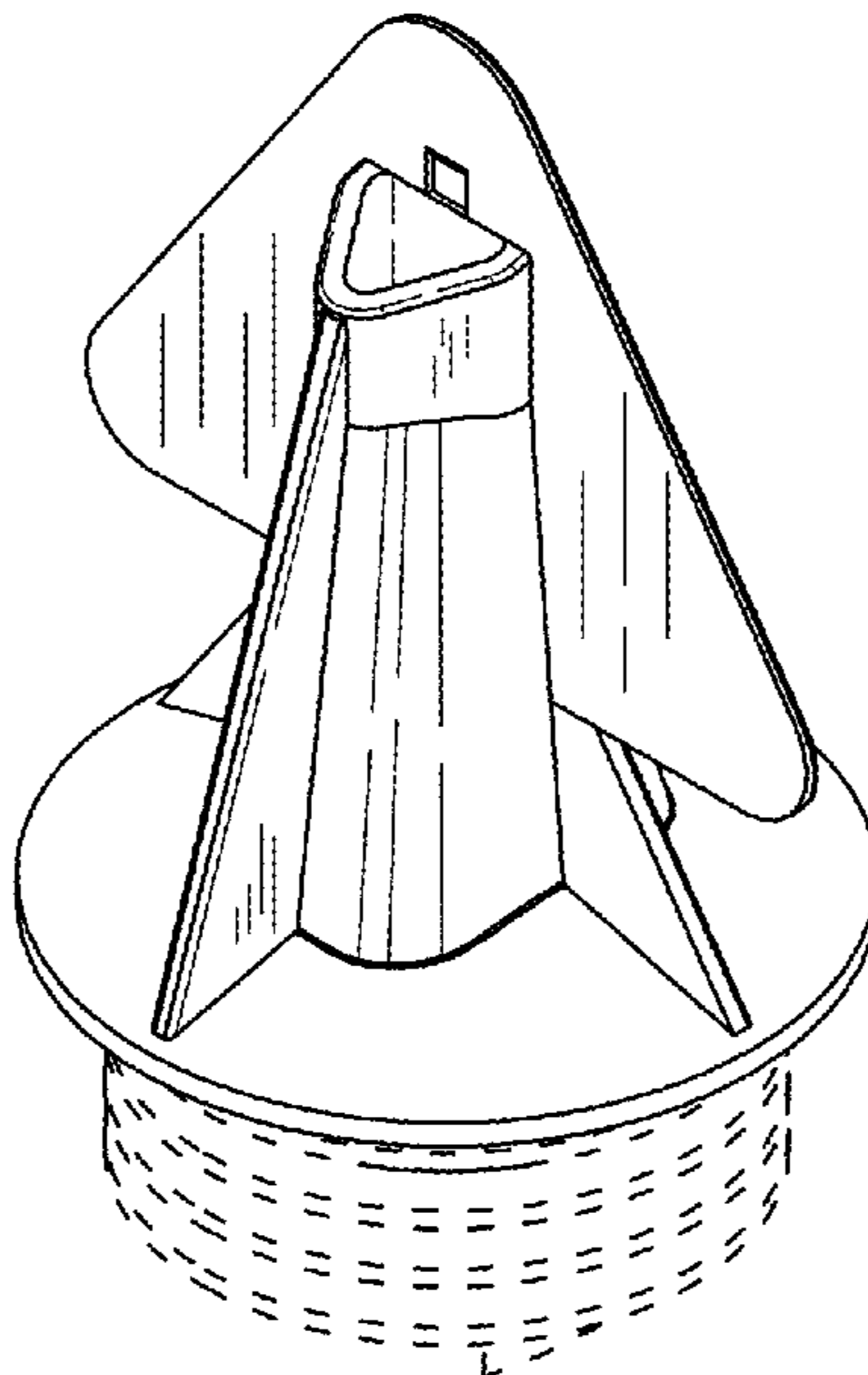


FIGURE 1.

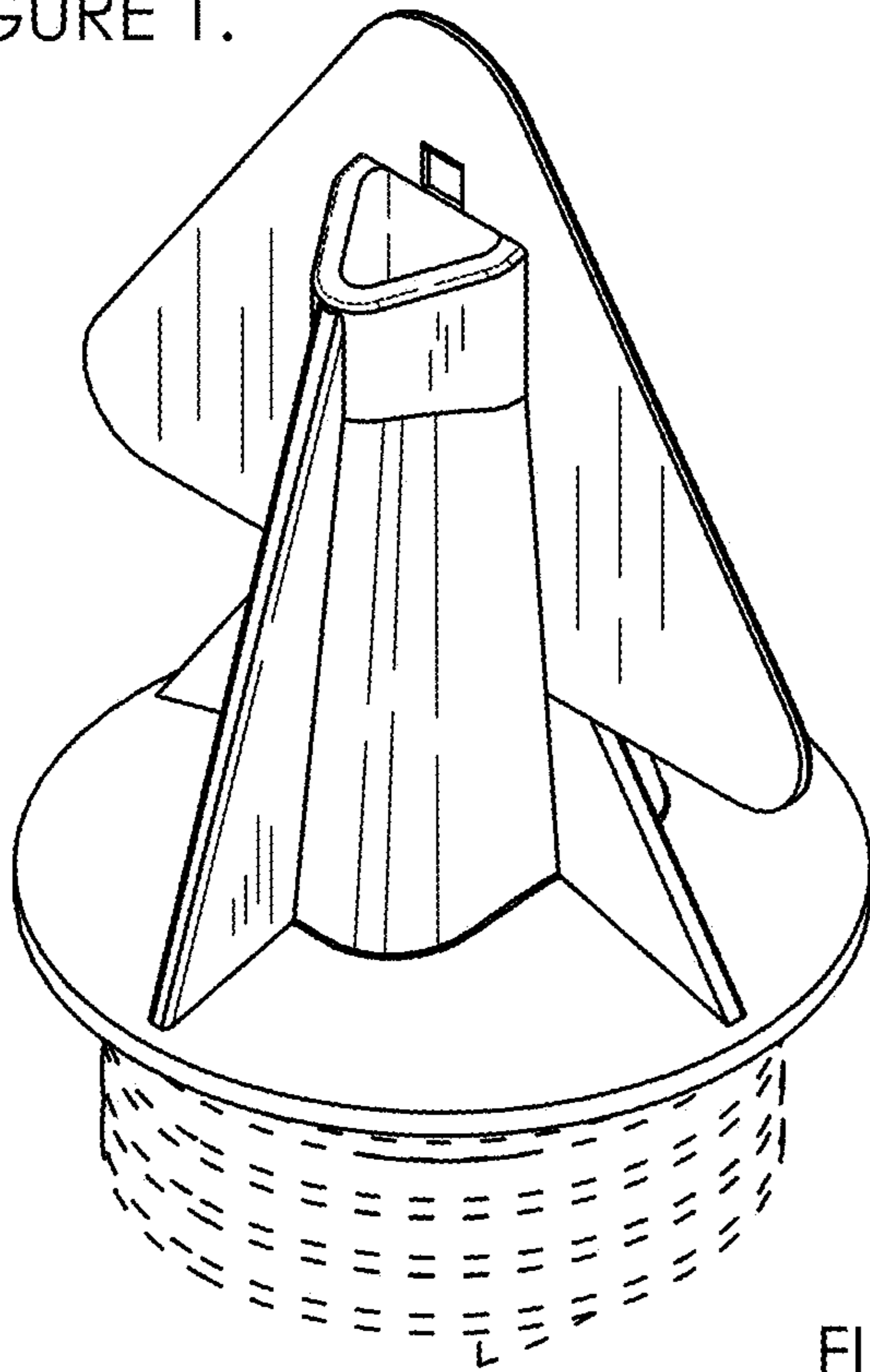


FIGURE 2.

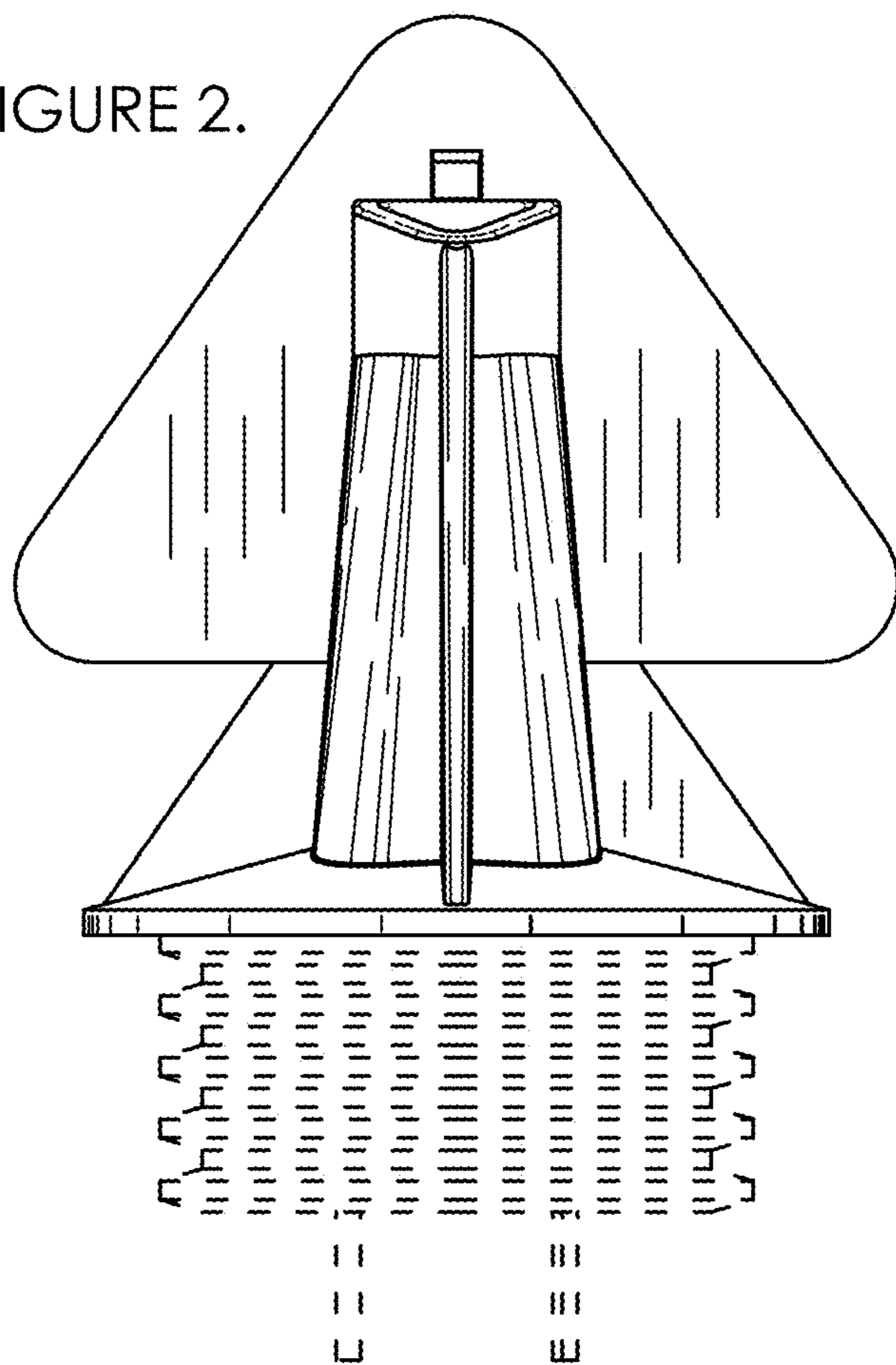


FIGURE 3.

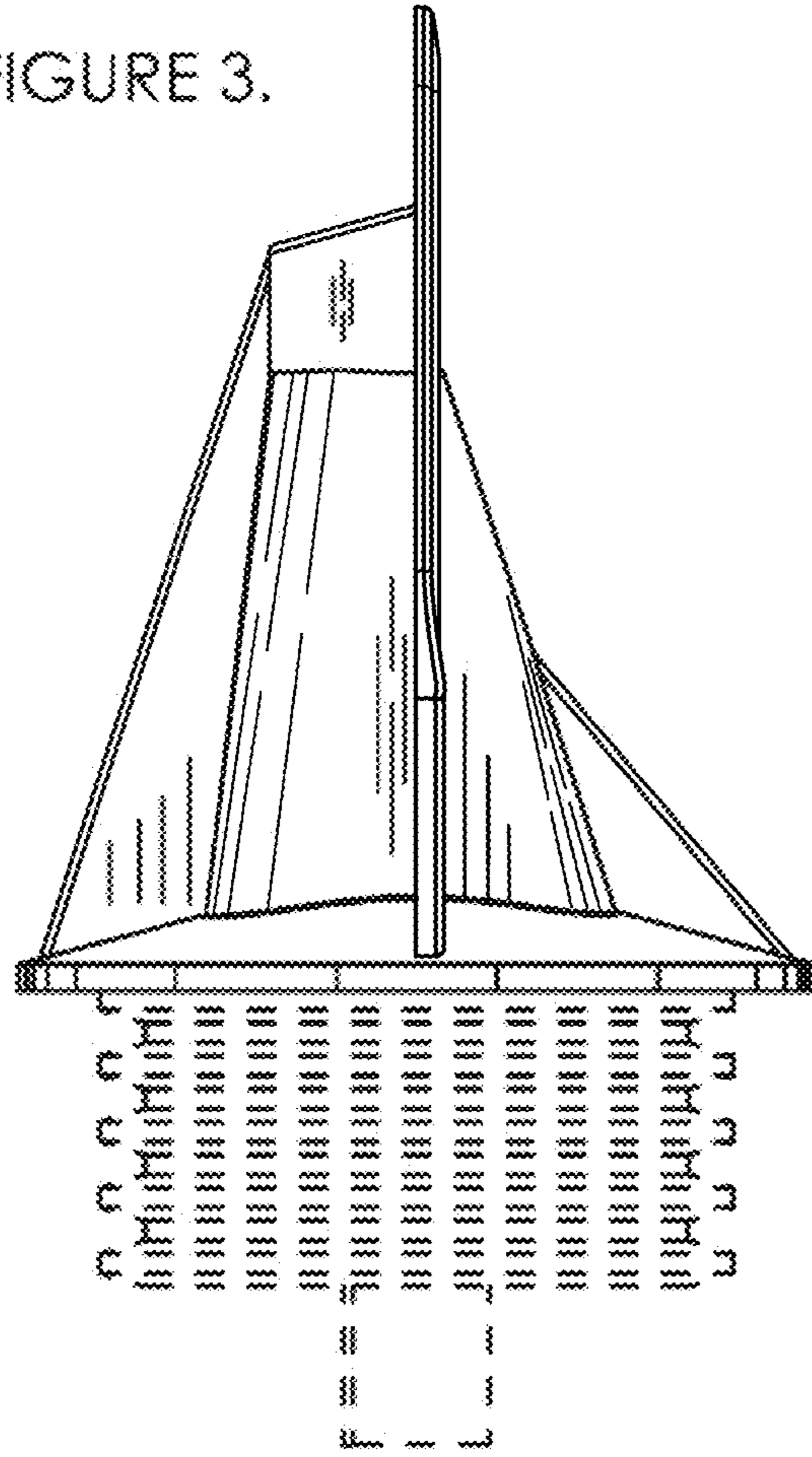


FIGURE 4.

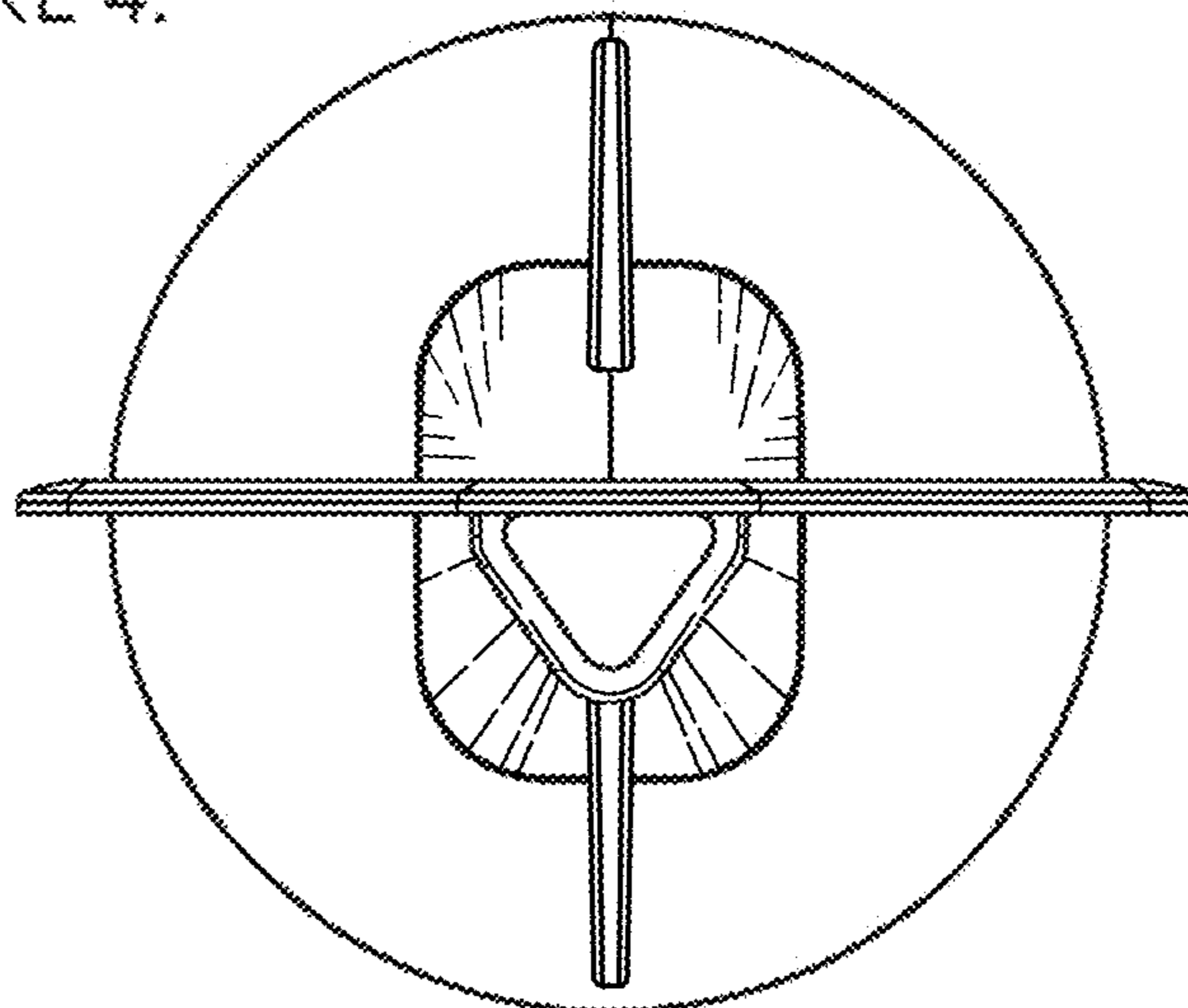


FIGURE 5.

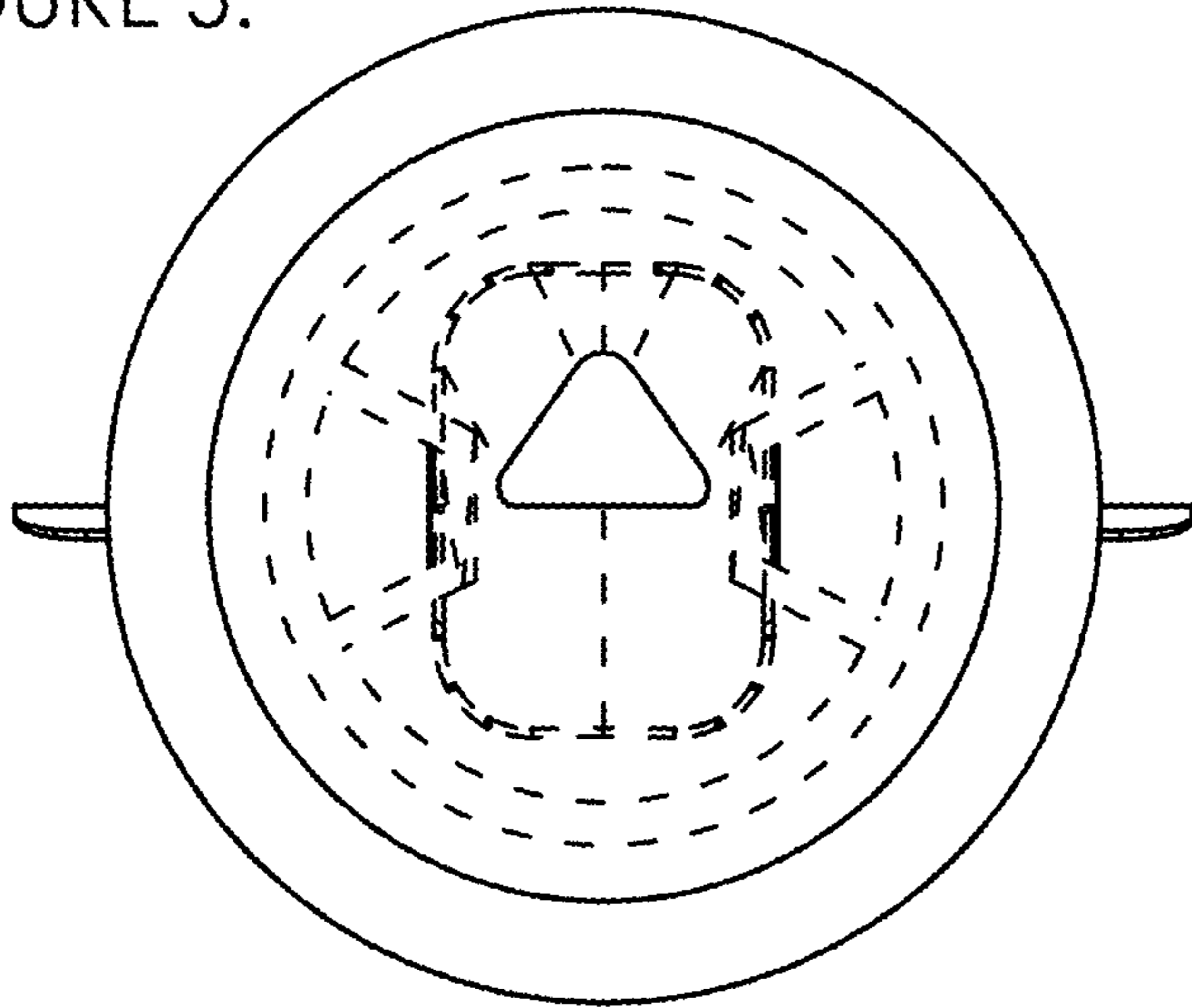


FIGURE 6.

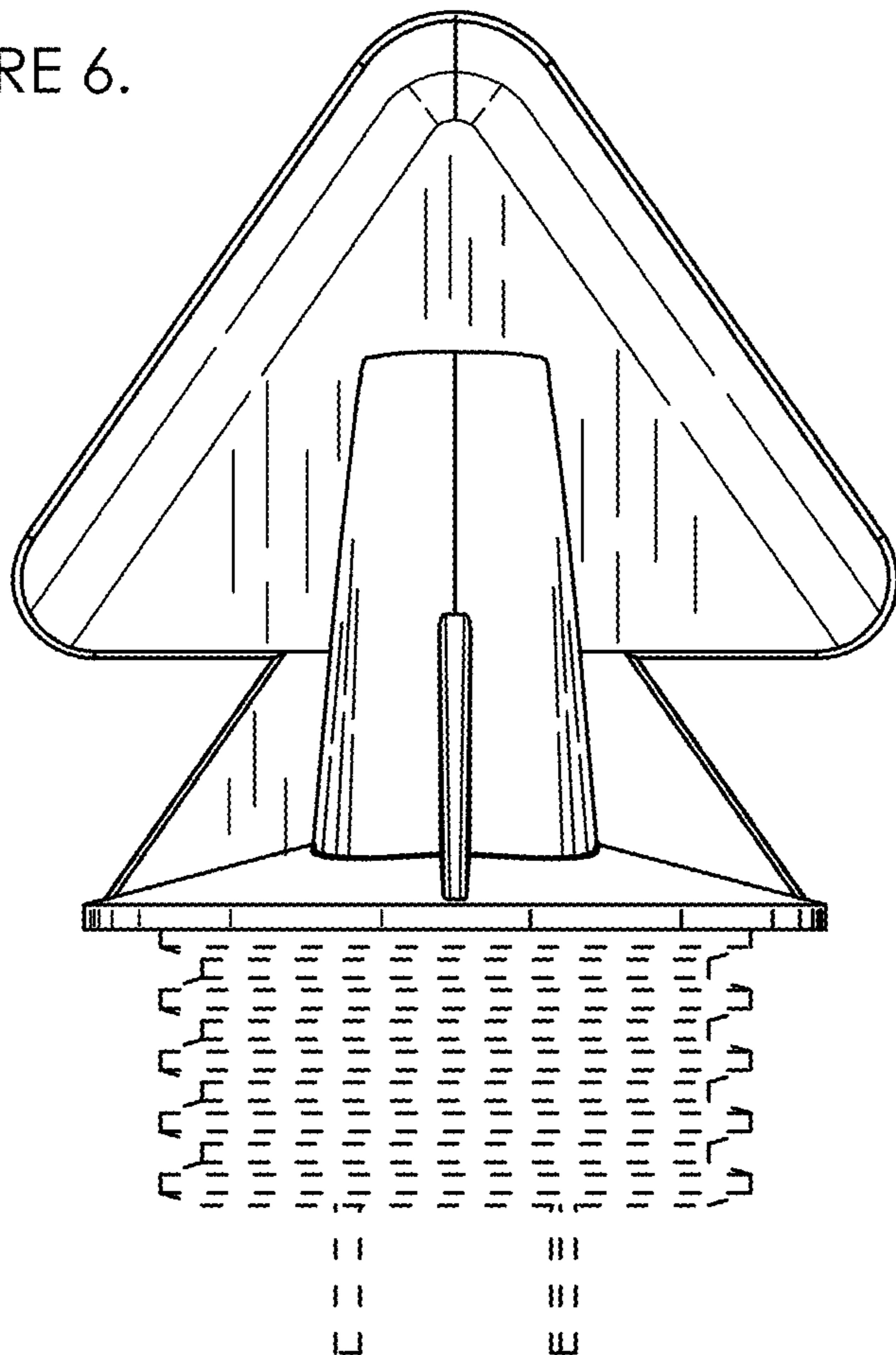


FIGURE 7.

