



US00D898567S

(12) **United States Design Patent**
Kennedy

(10) **Patent No.:** **US D898,567 S**

(45) **Date of Patent:** **** *Oct. 13, 2020**

(54) **CARTON BLANK**

(71) Applicant: **AVERY DENNISON RETAIL INFORMATION SERVICES, LLC**, Mentor, OH (US)

(72) Inventor: **Daniel Kennedy**, Northampton (GB)

(73) Assignee: **Avery Dennison Retail Information Services, LLC**, Mentor, OH (US)

(*) Notice: This patent is subject to a terminal disclaimer.

(**) Term: **15 Years**

(21) Appl. No.: **29/678,703**

(22) Filed: **Jan. 30, 2019**

(51) **LOC (12) Cl.** **09-03**

(52) **U.S. Cl.**
USPC **D9/433**

(58) **Field of Classification Search**
USPC D9/414-423, 424-429, 430-433, 434, D9/456, 457, 711, 713, 721-722, 737, D9/756, 758, 759, 760; D3/272-274, D3/290, 304, 305, 315; D20/10, 22, 27, D20/40, 42

CPC ... B65D 5/00; B65D 5/02; B65D 5/18; B65D 5/20

See application file for complete search history.

(56) **References Cited**

U.S. PATENT DOCUMENTS

3,009,620 A * 11/1961 Leone F41C 33/0218
229/116.1

D393,422 S *	4/1998	Pecher	D9/433
D427,066 S *	6/2000	Persson	D9/433
D438,791 S *	3/2001	Tsuruishi	D9/433
D693,678 S *	11/2013	Kanchan	D9/432
D833,530 S *	11/2018	Stafeil	D20/22
D857,496 S *	8/2019	Hughes	D9/433
D859,149 S *	9/2019	Hughes	D9/433
D859,150 S *	9/2019	Hughes	D9/433
D859,996 S *	9/2019	Billen	D9/675
D860,780 S *	9/2019	Requena	D9/420

* cited by examiner

Primary Examiner — Vy N Koenig

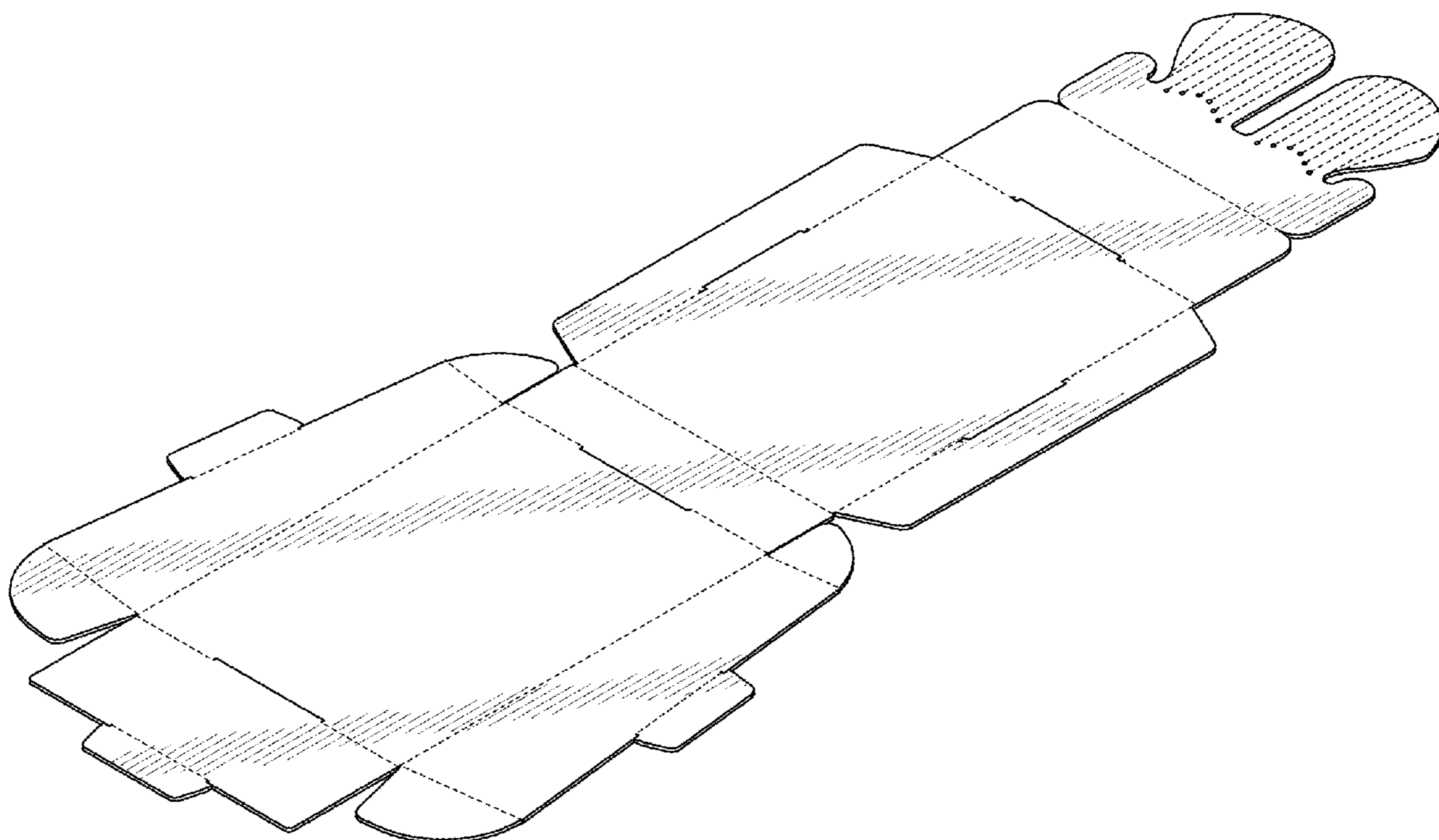
(57) **CLAIM**

The ornamental design for a carton blank, as shown and described.

DESCRIPTION

FIG. 1 is an isometric view of a carton blank, showing my design;
FIG. 2 is a top view of thereof;
FIG. 3 is a bottom view thereof;
FIG. 4 is a front view thereof;
FIG. 5 is a rear view thereof;
FIG. 6 is a left side view thereof; and,
FIG. 7 is a right side view thereof.
The broken lines in the drawings depict fold lines and form part of the claimed design.

1 Claim, 5 Drawing Sheets



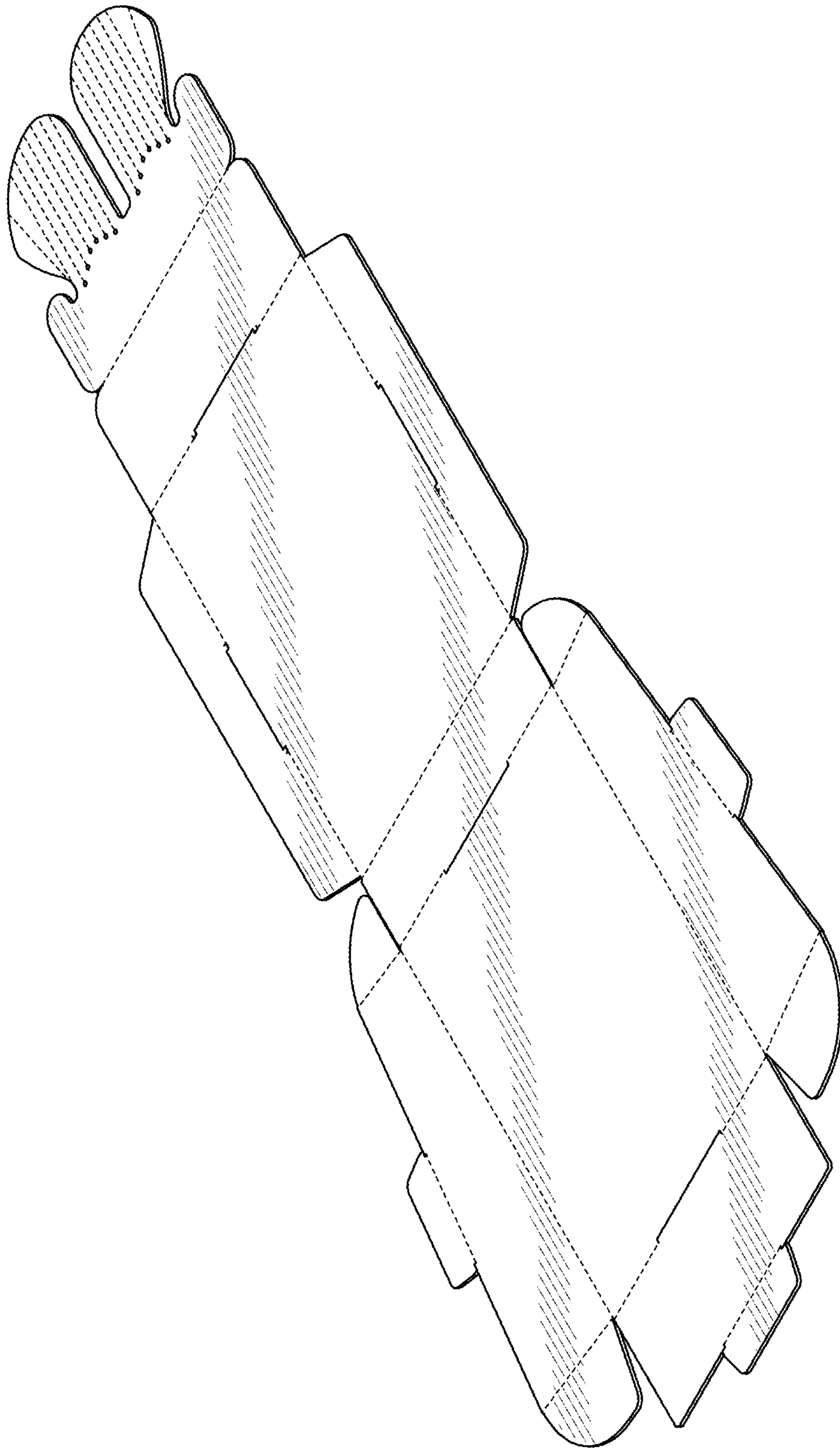


FIG. 1

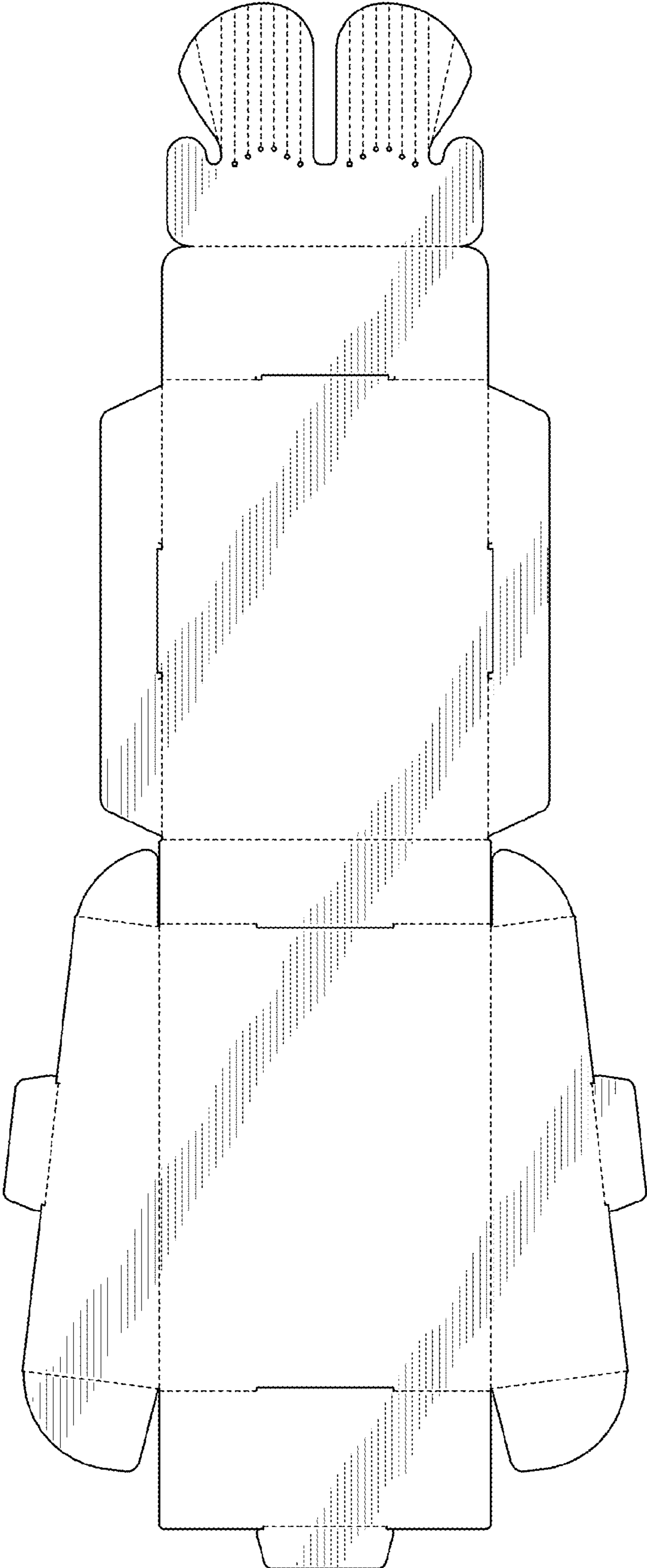


FIG. 2

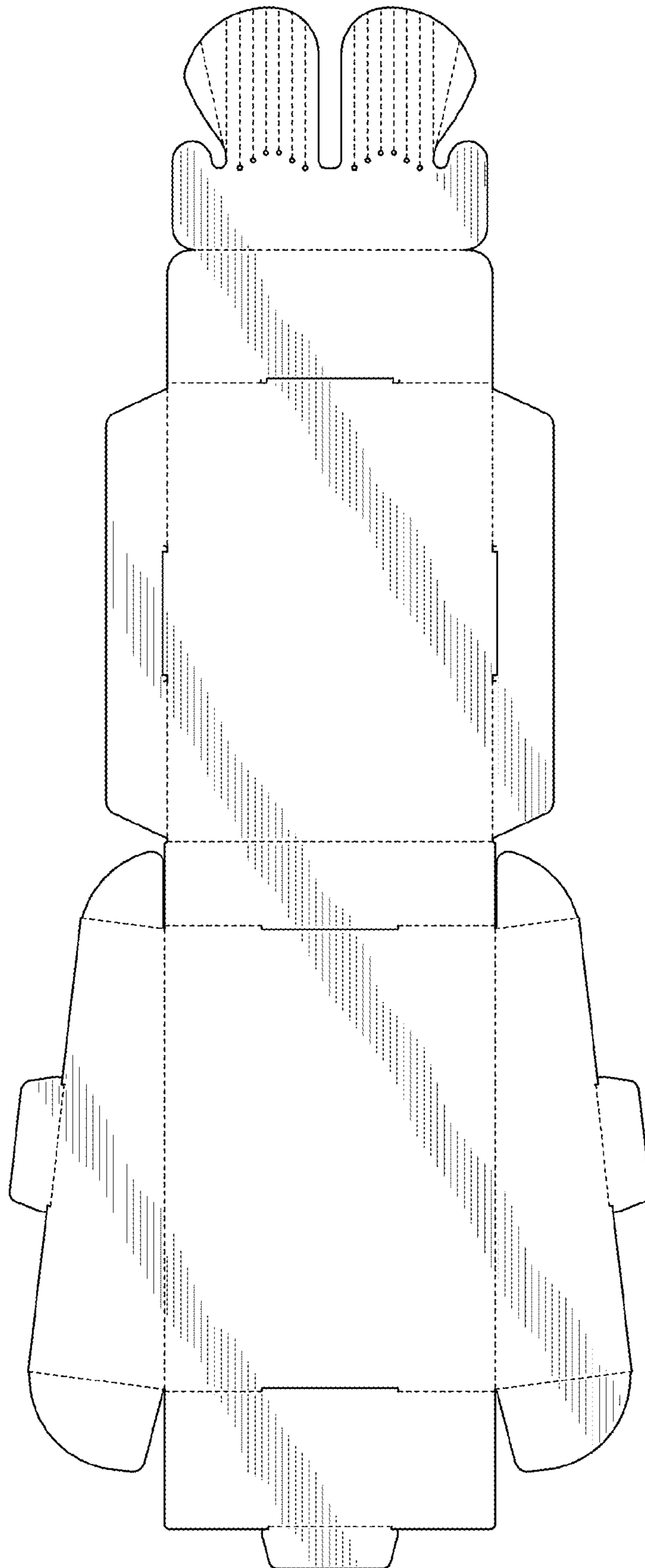


FIG. 3



FIG. 4

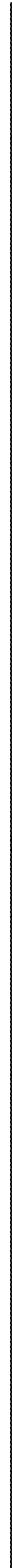


FIG. 5

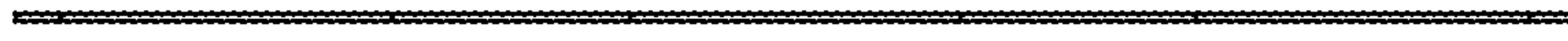


FIG. 6

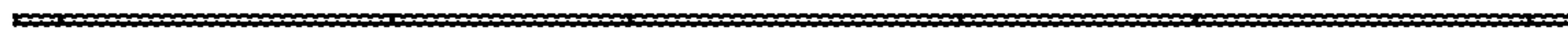


FIG. 7