



US00D898566S

(12) **United States Design Patent** (10) **Patent No.:** **US D898,566 S**  
**Hughes et al.** (45) **Date of Patent:** **\*\* \*Oct. 13, 2020**

(54) **CARTON**

(56) **References Cited**

(71) Applicant: **AVERY DENNISON RETAIL INFORMATION SERVICES, LLC**, Mentor, OH (US)

(72) Inventors: **Caroline Hughes**, Edwalton (GB); **Daniel Kennedy**, Pineham Lock (GB)

(73) Assignee: **Avery Dennison Retail Information Services, LLC**, Mentor, OH (US)

(\*) Notice: This patent is subject to a terminal disclaimer.

(\*\*) Term: **15 Years**

(21) Appl. No.: **29/671,946**

(22) Filed: **Nov. 30, 2018**

(51) **LOC (12) Cl.** ..... **09-03**

(52) **U.S. Cl.**  
USPC ..... **D9/433**

(58) **Field of Classification Search**  
USPC ..... D9/414-423, 424-429, 430-433, 434, D9/456, 457, 711, 713, 721-722, 737, D9/756, 758, 759, 760; D3/272-274, D3/290, 304, 305, 315; D20/10, 22, 27, D20/40, 42  
CPC ... B65D 5/00; B65D 5/02; B65D 5/18; B65D 5/20

See application file for complete search history.

U.S. PATENT DOCUMENTS

3,009,620	A	*	11/1961	Leone	.....	F41C 33/0218	
						229/116.1	
D393,422	S	*	4/1998	Pecher	.....	D9/433	
D427,066	S	*	6/2000	Persson	.....	D9/433	
D438,791	S	*	3/2001	Tsuruishi	.....	D9/433	
D693,678	S	*	11/2013	Kanchan	.....	D9/432	
D833,530	S	*	11/2018	Stafeil	.....	D20/22	
D857,496	S	*	8/2019	Hughes	.....	D9/433	
D859,149	S	*	9/2019	Hughes	.....	D9/433	
D859,150	S	*	9/2019	Hughes	.....	D9/433	
D859,996	S	*	9/2019	Billen	.....	D9/675	
D860,780	S	*	9/2019	Requena	.....	D9/420	

\* cited by examiner

*Primary Examiner* — Vy N Koenig

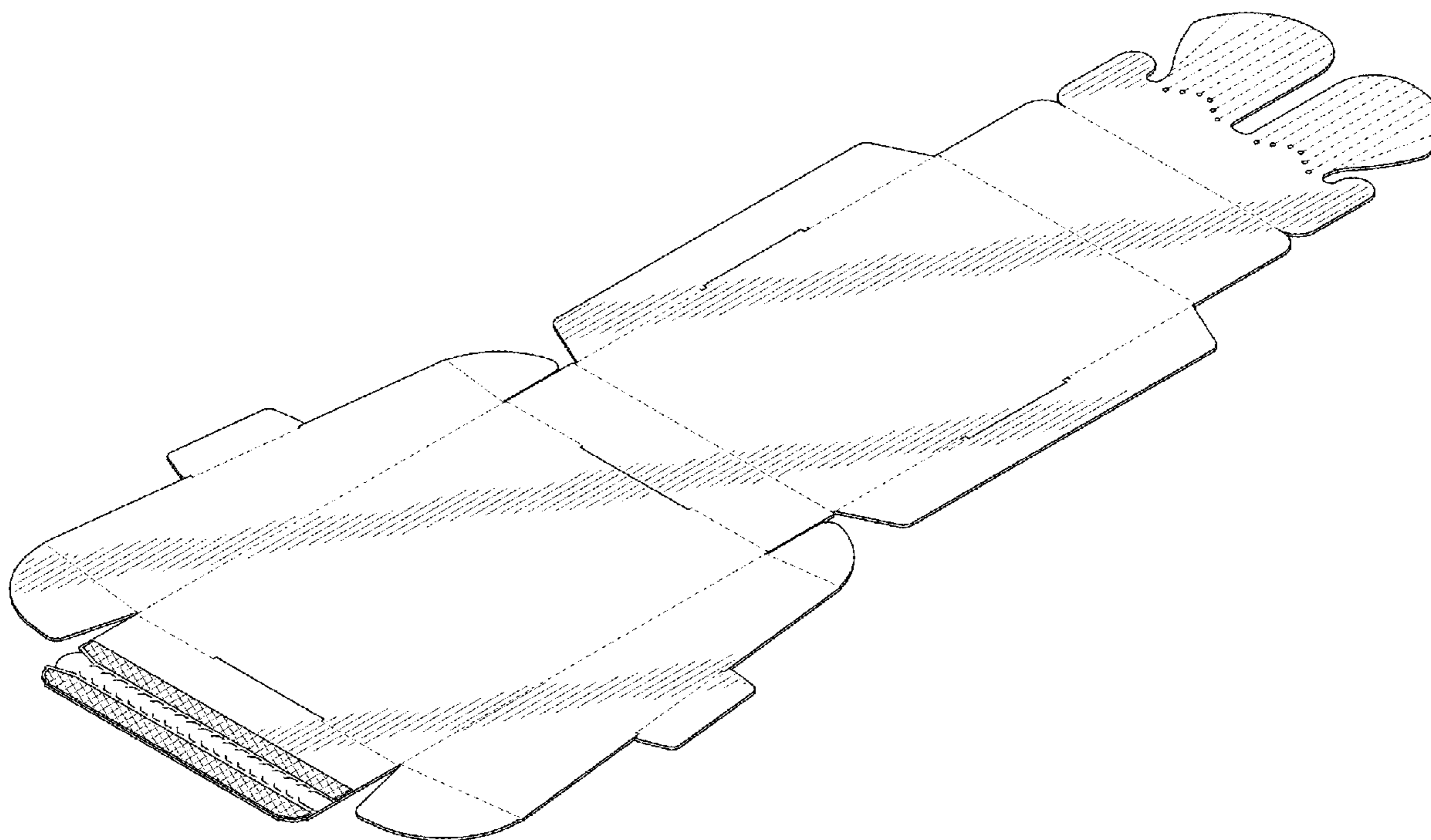
(57) **CLAIM**

The ornamental design for a carton, as shown and described.

**DESCRIPTION**

FIG. 1 is an isometric view of a carton, showing our design; and  
FIG. 2 is a front view thereof;  
FIG. 3 is a rear view thereof;  
FIG. 4 is a left side view thereof;  
FIG. 5 is a right side view thereof;  
FIG. 6 is a top view thereof; and,  
FIG. 7 is a bottom view thereof.  
The broken lines in the drawings depict fold lines and form part of the claimed design.

**1 Claim, 5 Drawing Sheets**



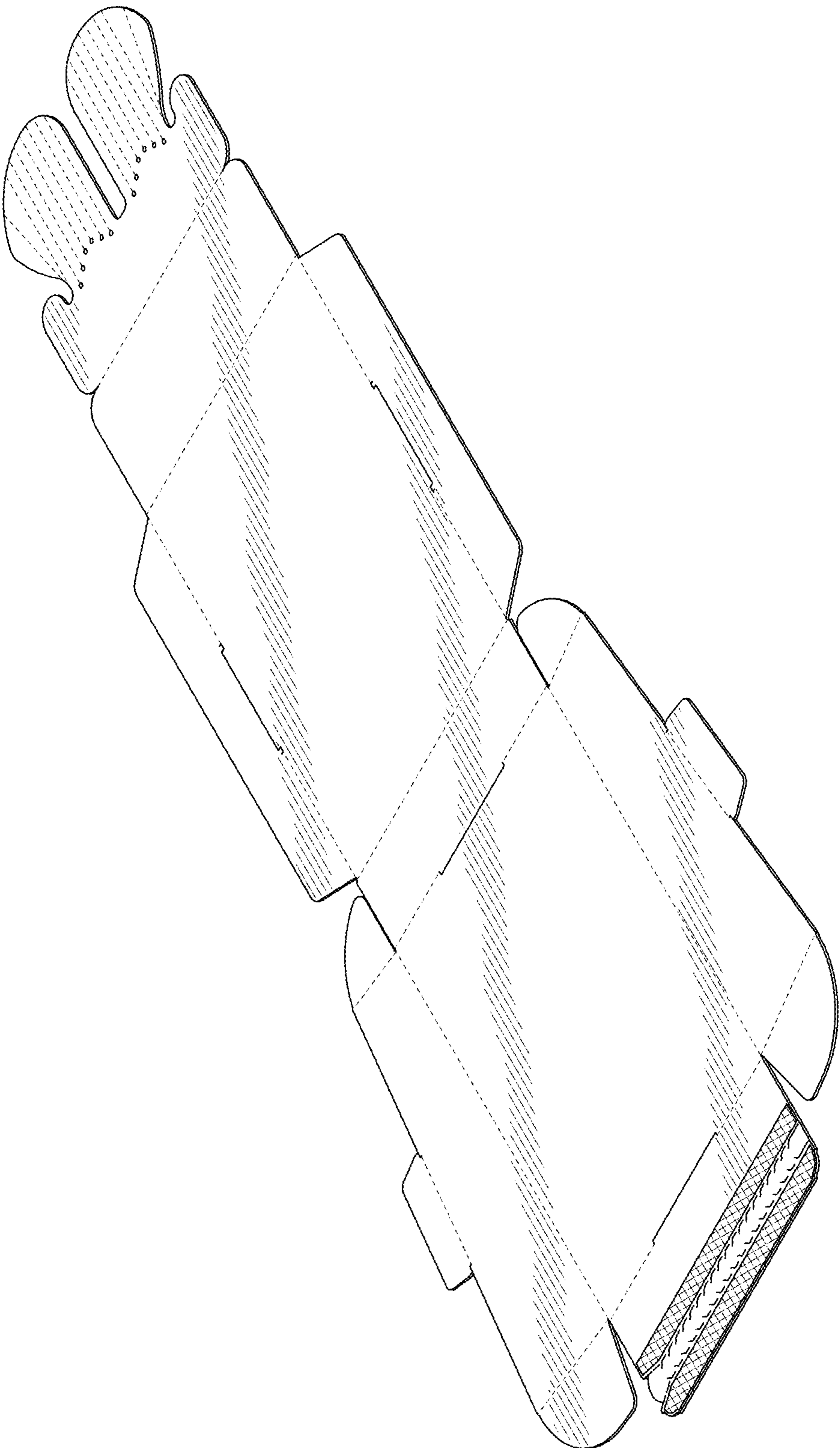


FIG. 1

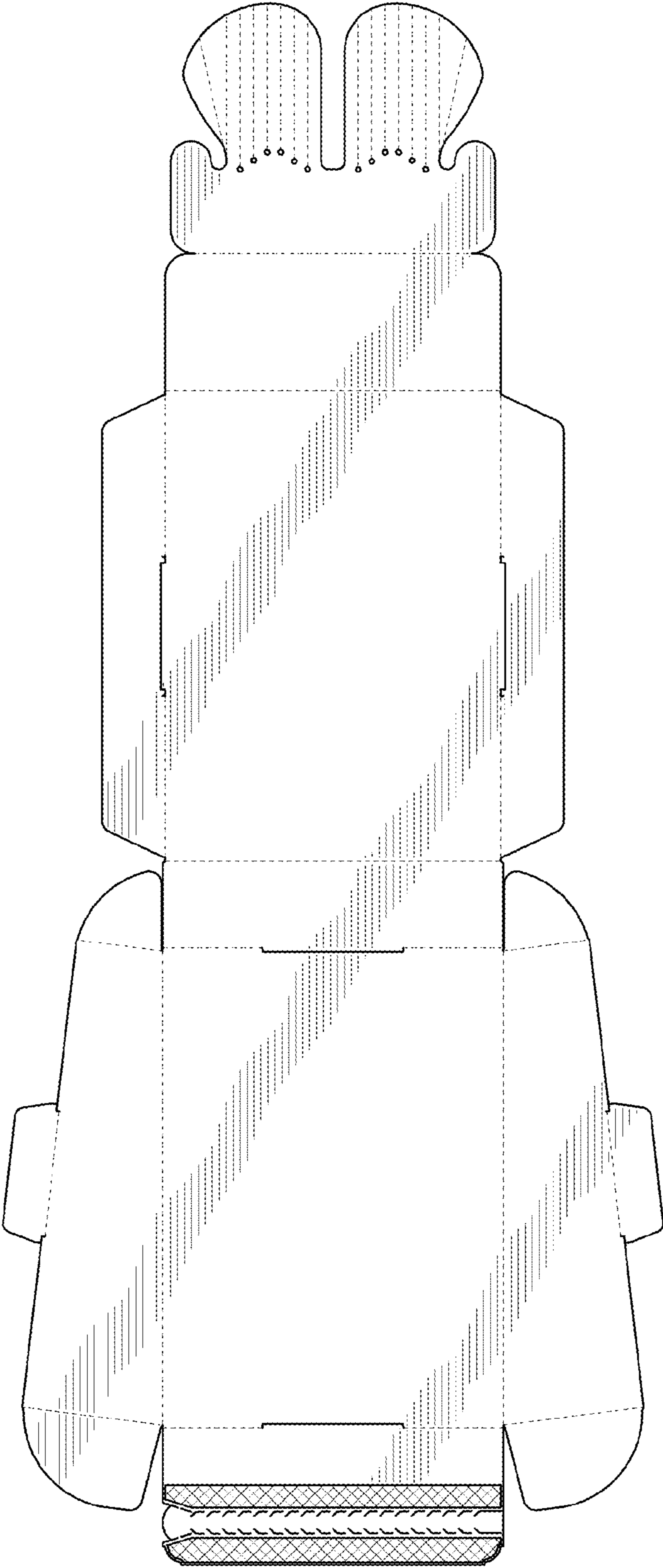


FIG. 2

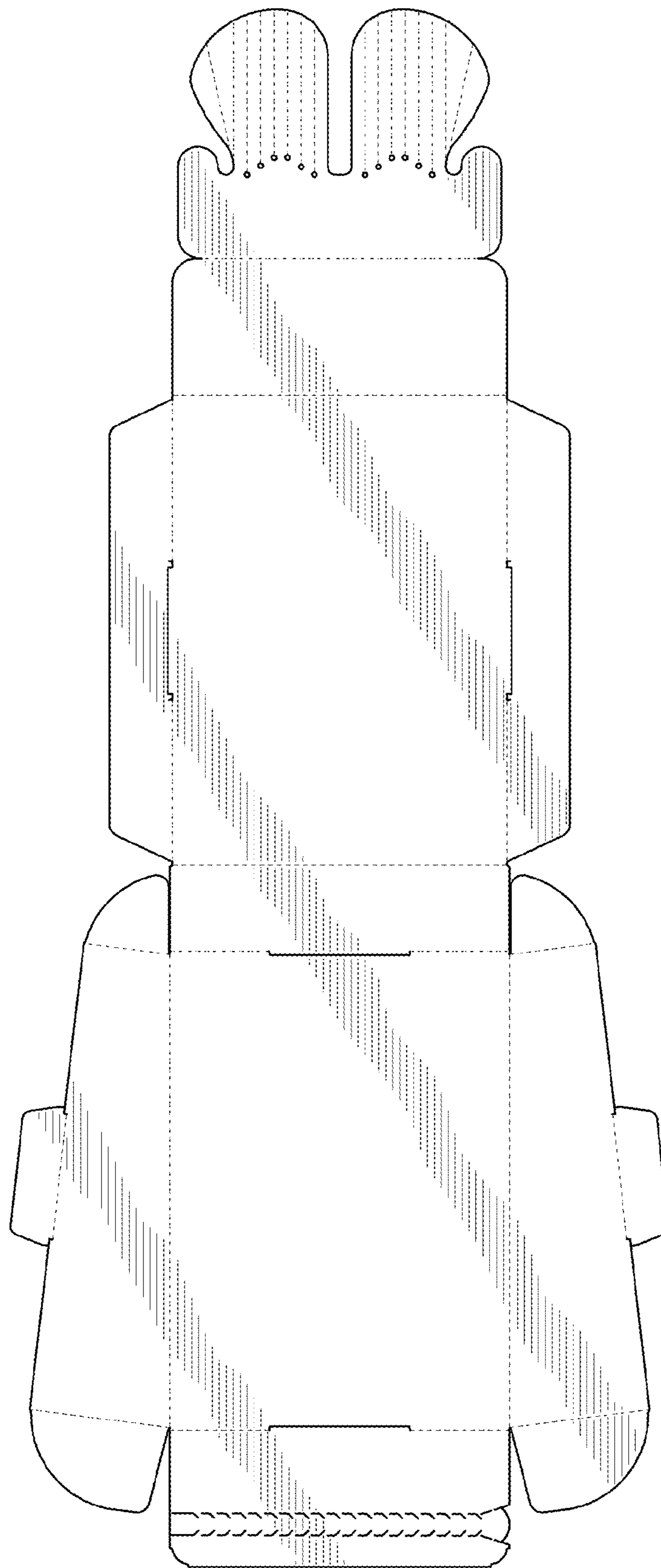


FIG. 3





FIG. 4

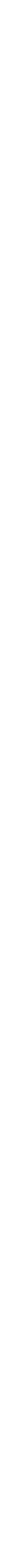


FIG. 5

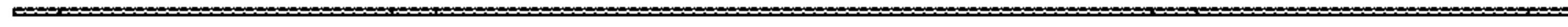


FIG. 6



FIG. 7