



US00D898564S

(12) **United States Design Patent** (10) **Patent No.:** **US D898,564 S**
Sanders et al. (45) **Date of Patent:** **** Oct. 13, 2020**

(54) **FOOD CONTAINER**

(56) **References Cited**

(71) Applicant: **Kellogg Company**, Battle Creek, MI (US)
(72) Inventors: **Sean Sanders**, Chicago, IL (US); **Matthew J. Costello**, Chicago, IL (US); **Derek A. Smith**, Chicago, IL (US); **Jeff Nuss**, Hickory Corners, MI (US); **Donald Joswick**, Portage, MI (US); **Mark Allen Fager**, Madison, WI (US)
(73) Assignee: **KELLOGG COMPANY**, Battle Creek, MI (US)

U.S. PATENT DOCUMENTS

D416,796 S * 11/1999 Smith D7/629
D447,053 S * 8/2001 Chagnon D9/428
D572,538 S * 7/2008 Epstein D7/608

(Continued)

Primary Examiner — Derrick E Holland
Assistant Examiner — Janice Patyk
(74) *Attorney, Agent, or Firm* — Honigman LLP; Kathryn D. Doyle, Esq.; Jonathan P. O'Brien

(57) **CLAIM**

We claim the ornamental design for a food container, as shown and described.

DESCRIPTION

FIG. 1 is a perspective view of embodiment one, of a food container, showing our new design, shown in environmental use;
FIG. 2 is a perspective view thereof;
FIG. 3 is a top plan view thereof;
FIG. 4 is a front elevation view thereof;
FIG. 5 is a left side elevation view thereof;
FIG. 6 is a rear elevation view thereof;
FIG. 7 is a right side elevation view thereof;
FIG. 8 is a bottom plan view thereof;
FIG. 9 is a perspective view of embodiment two, of a food container, showing our new design, shown in environmental use;
FIG. 10 is a perspective view thereof;
FIG. 11 is a top plan view thereof;
FIG. 12 is a side elevation view, an opposite side elevation view being a mirror image thereof;
FIG. 13 is a front elevation view thereof;
FIG. 14 is a rear elevation view thereof; and,
FIG. 15 is a bottom plan view thereof.

The broken lines in the figures illustrate the portions of the design that form no part of the claimed design. The broken lines container in FIGS. 1 and 9 illustrate environmental subject matter that form no part of the claimed design.

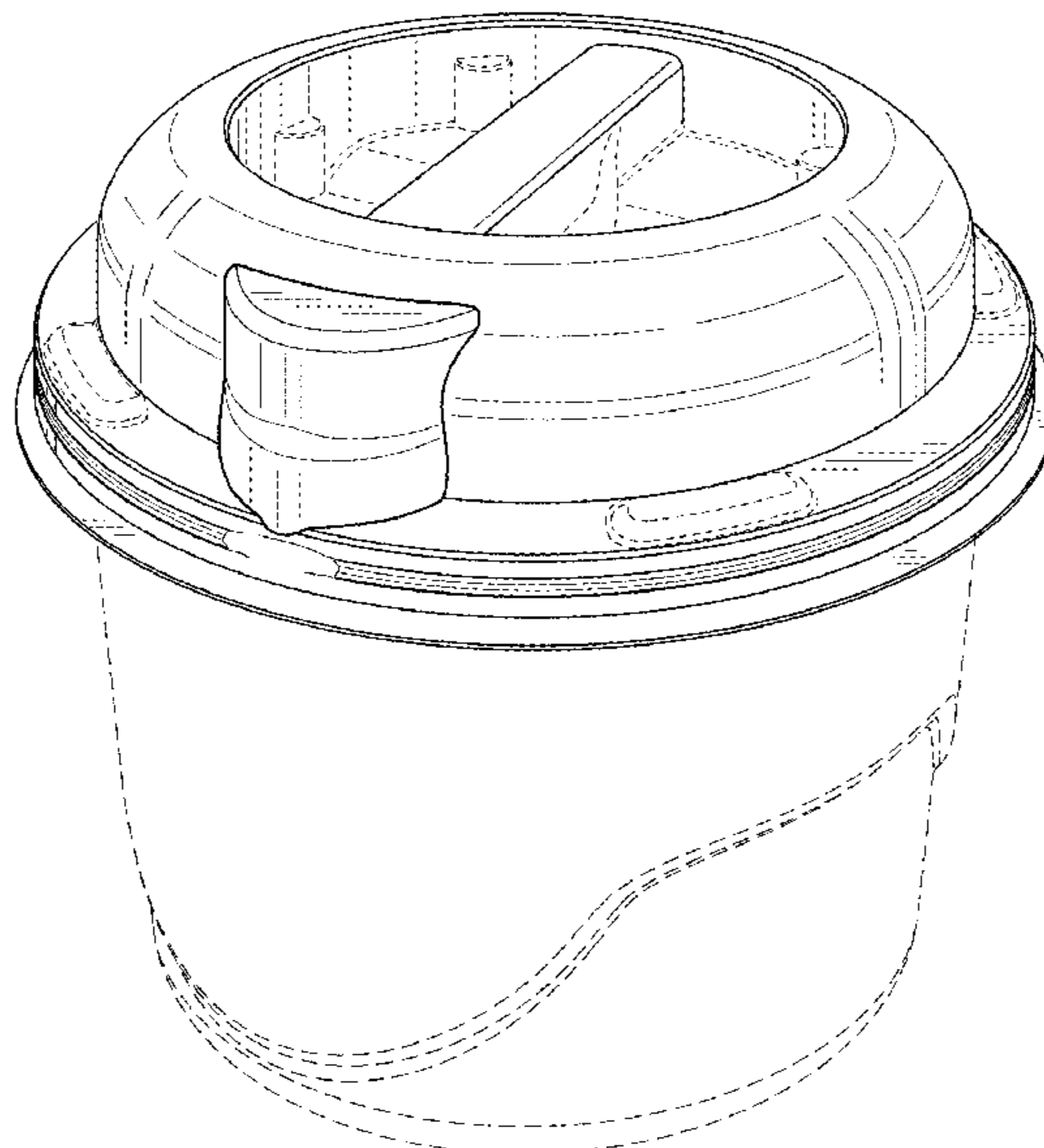
(**) Term: **15 Years**
(21) Appl. No.: **29/677,505**
(22) Filed: **Jan. 22, 2019**

Related U.S. Application Data

(62) Division of application No. 29/604,927, filed on May 22, 2017, now Pat. No. Des. 843,206.
(51) **LOC (12) Cl.** **09-03**
(52) **U.S. Cl.**
USPC **D9/428; D9/717**
(58) **Field of Classification Search**
USPC D7/396.1, 538-542, 602, 608, 629;
D9/414, 424-429, 432, 761, 737;
206/499, 508, 557; 220/23.4, 23.6, 315,
220/500, 659, 669, 674, 675, 696, 752,
220/760, 790, 793; 229/105, 117.09,
229/117.26, 189, 406, 407, 902, 905
CPC ... B65D 1/34; B65D 1/36; B65D 1/40; B65D
25/04; B65D 43/00; B65D 43/02; B65D

(Continued)

1 Claim, 9 Drawing Sheets



(58) **Field of Classification Search**

CPC 81/34; B65D 81/3446; B65D 2543/00; B65D
2581/34

See application file for complete search history.

(56) **References Cited**

U.S. PATENT DOCUMENTS

2003/0029868 A1* 2/2003 Davidov B65D 51/185
220/212
2005/0184070 A1* 8/2005 Boback B65D 43/021
220/266
2005/0236413 A1* 10/2005 Maciag B65D 51/1627
220/256.1
2007/0108210 A1* 5/2007 Alvares B65D 43/0252
220/270
2009/0120942 A1* 5/2009 Vovan B65D 43/0239
220/574.1

* cited by examiner

FIG. 1

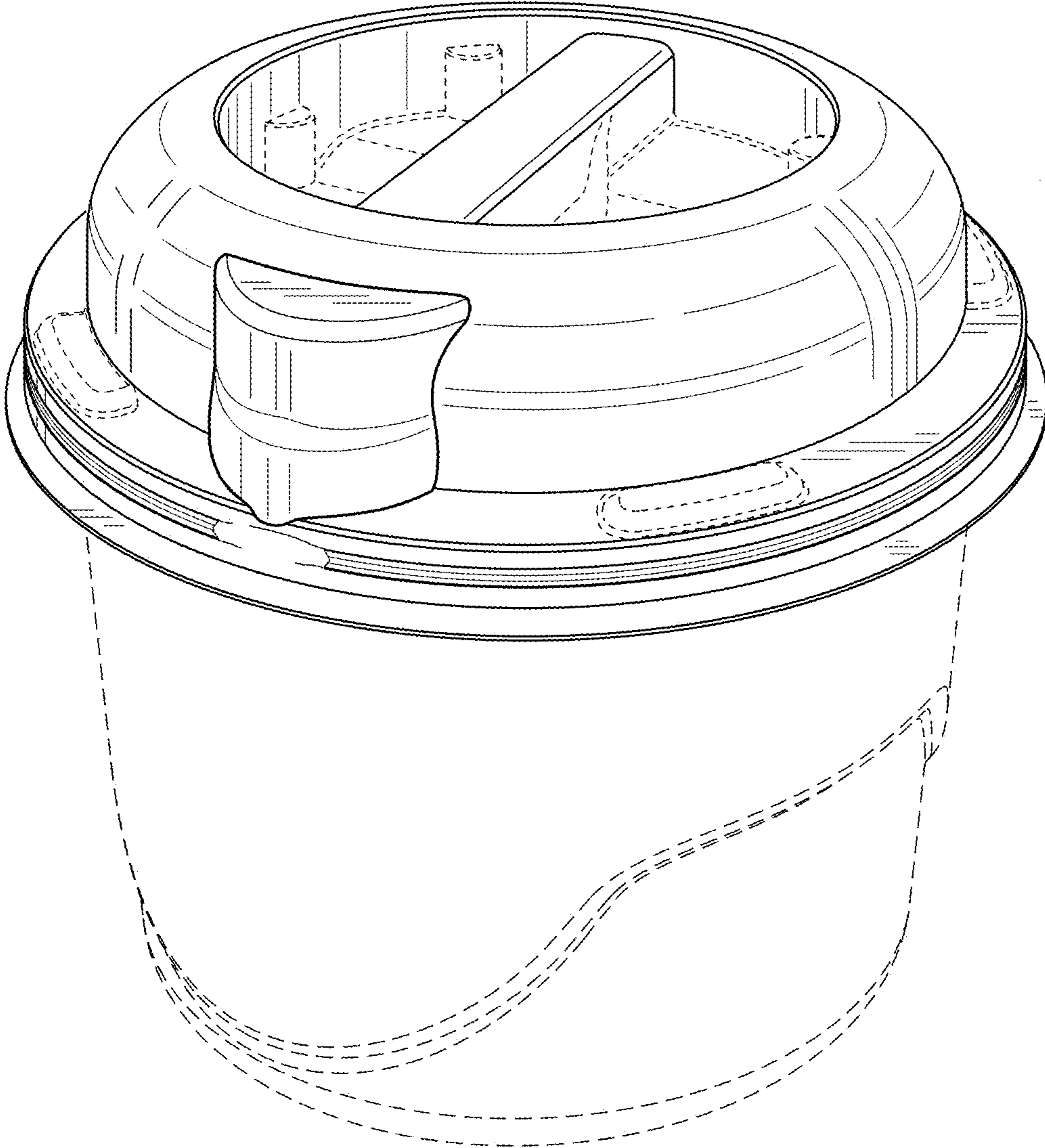


FIG. 2

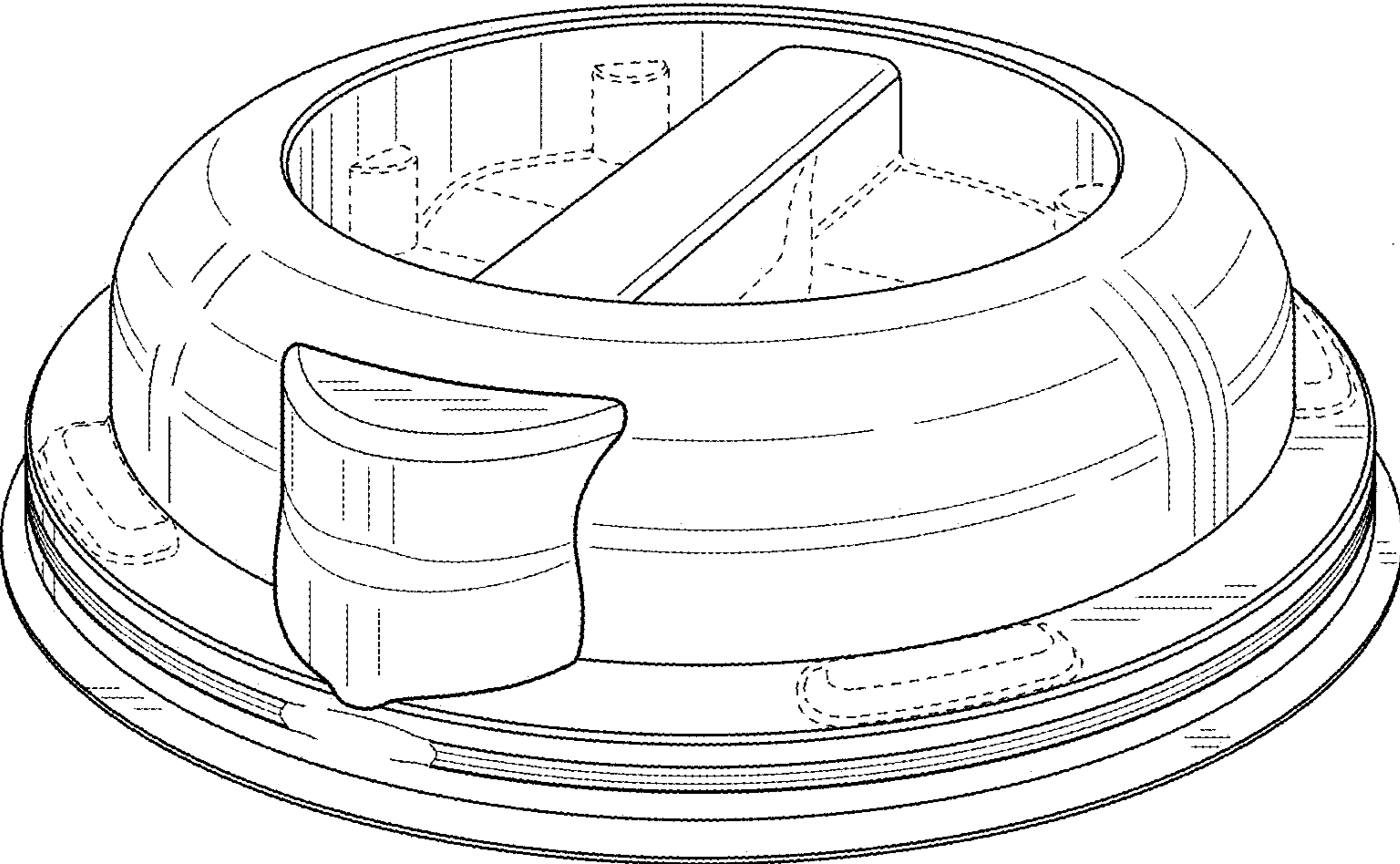


FIG. 3

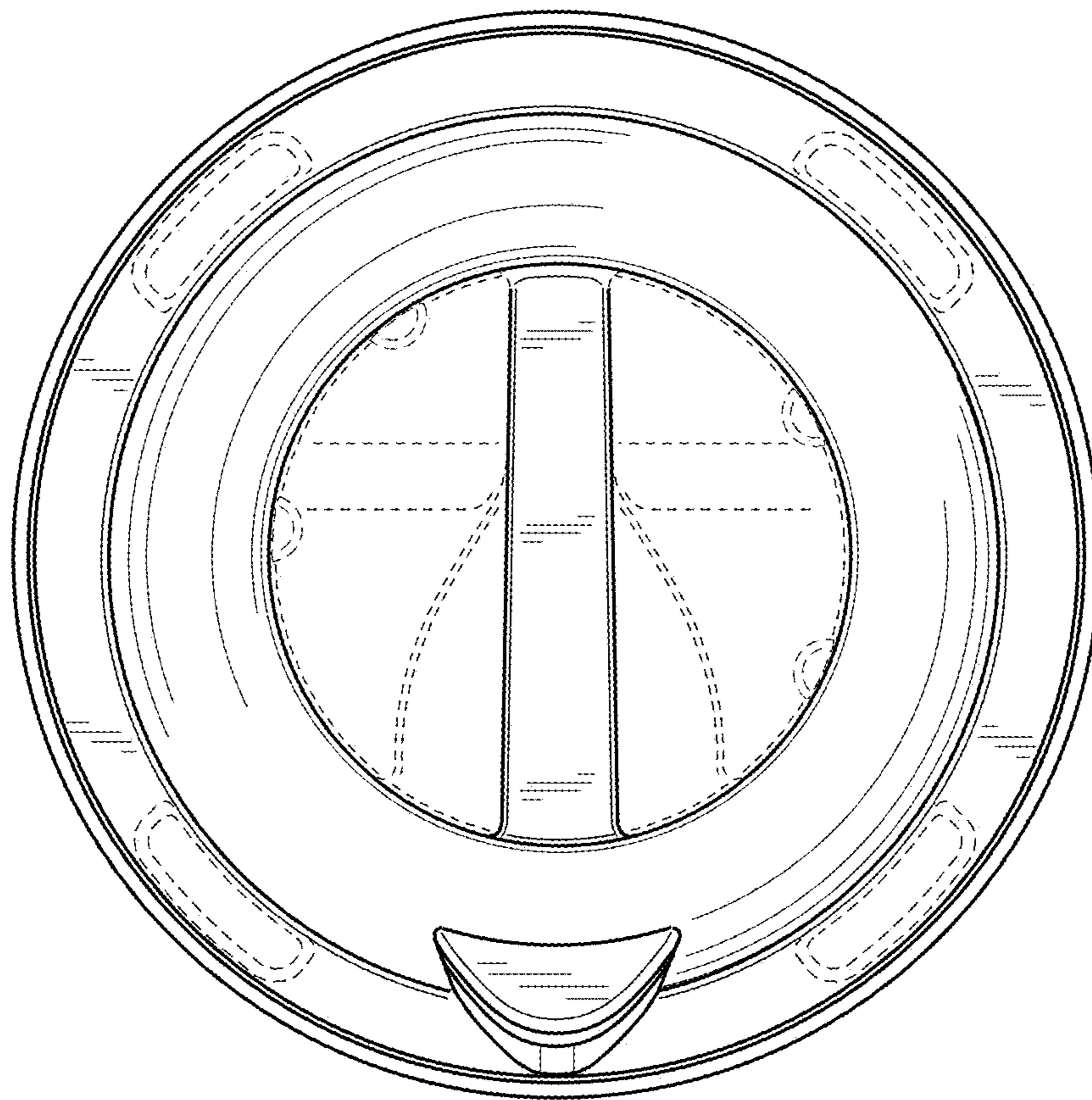


FIG. 4

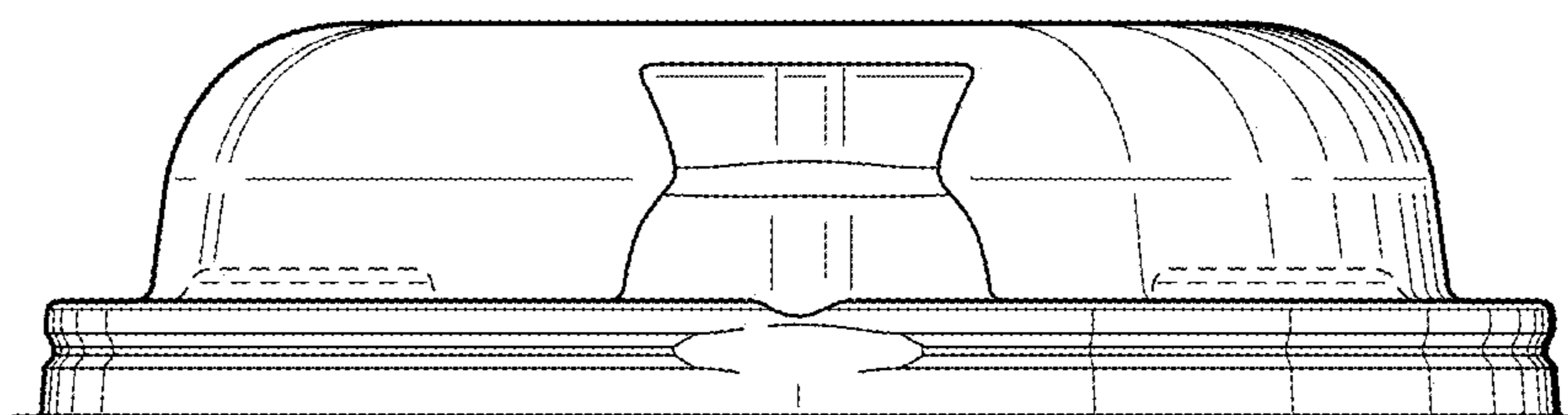


FIG. 5

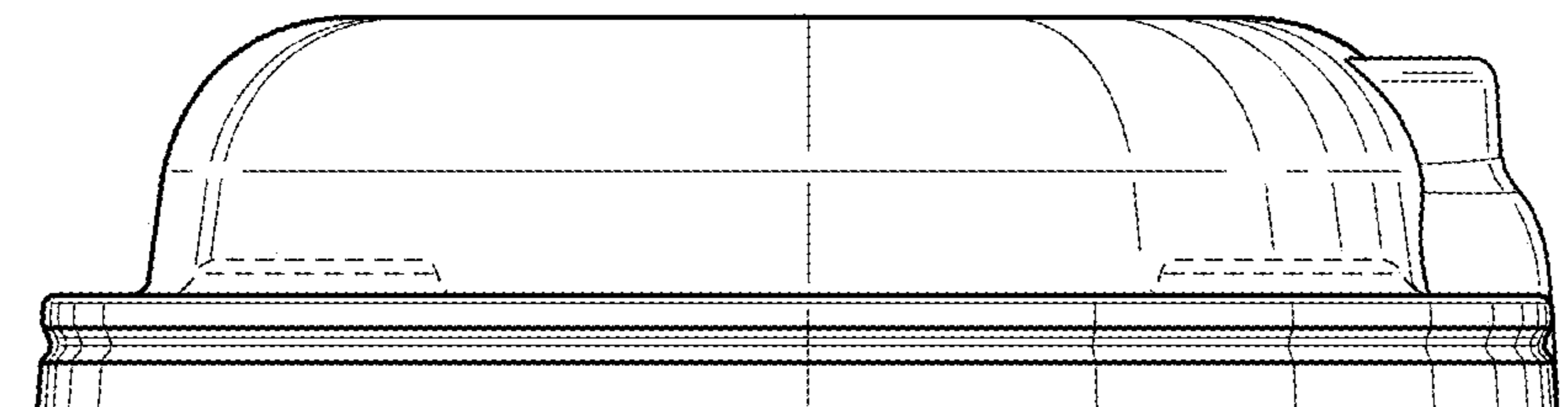


FIG. 6

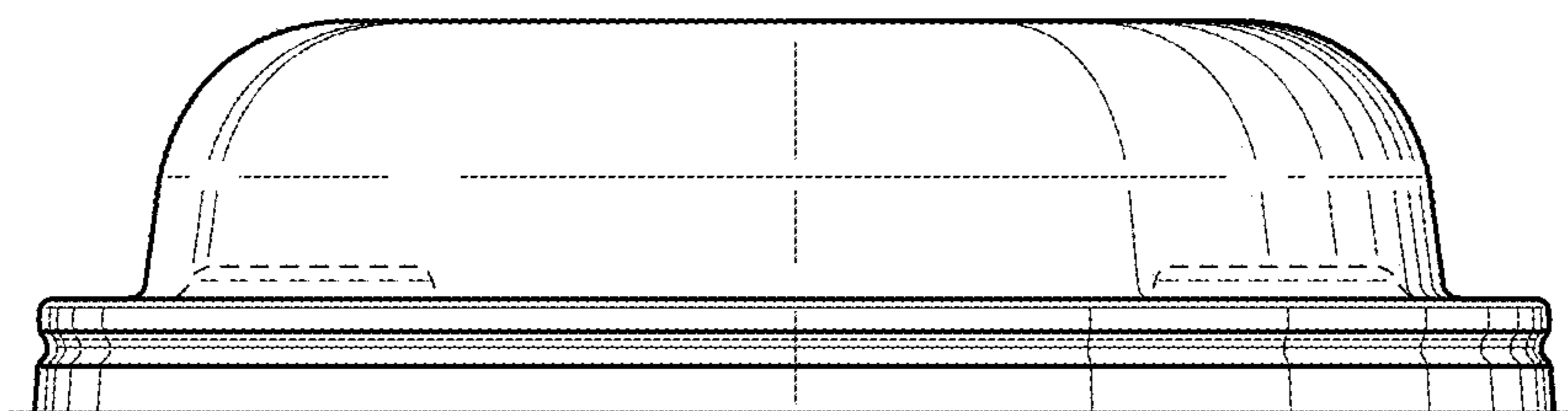


FIG. 7

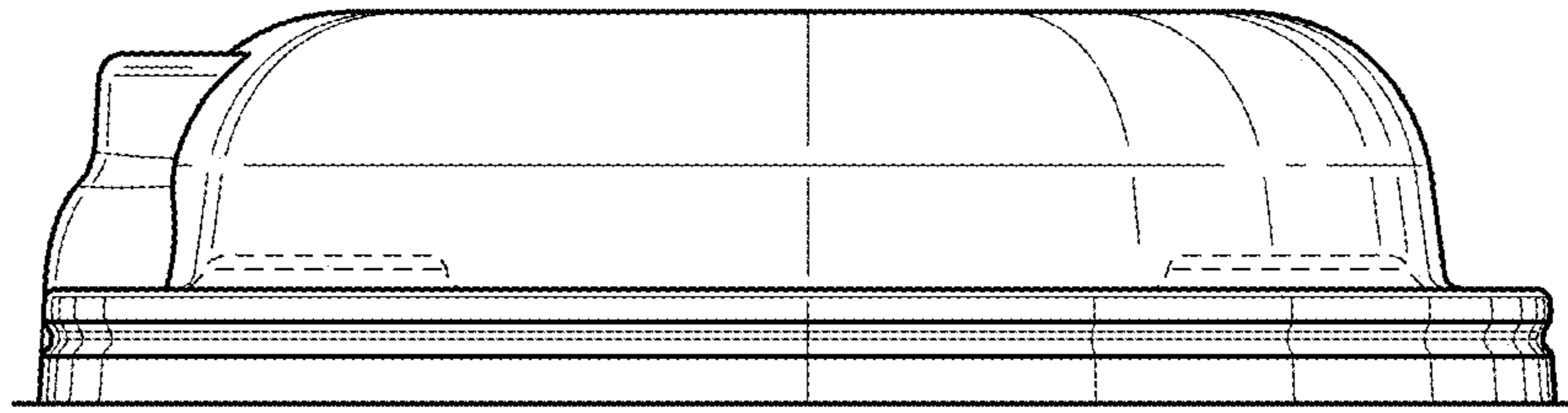


FIG. 8

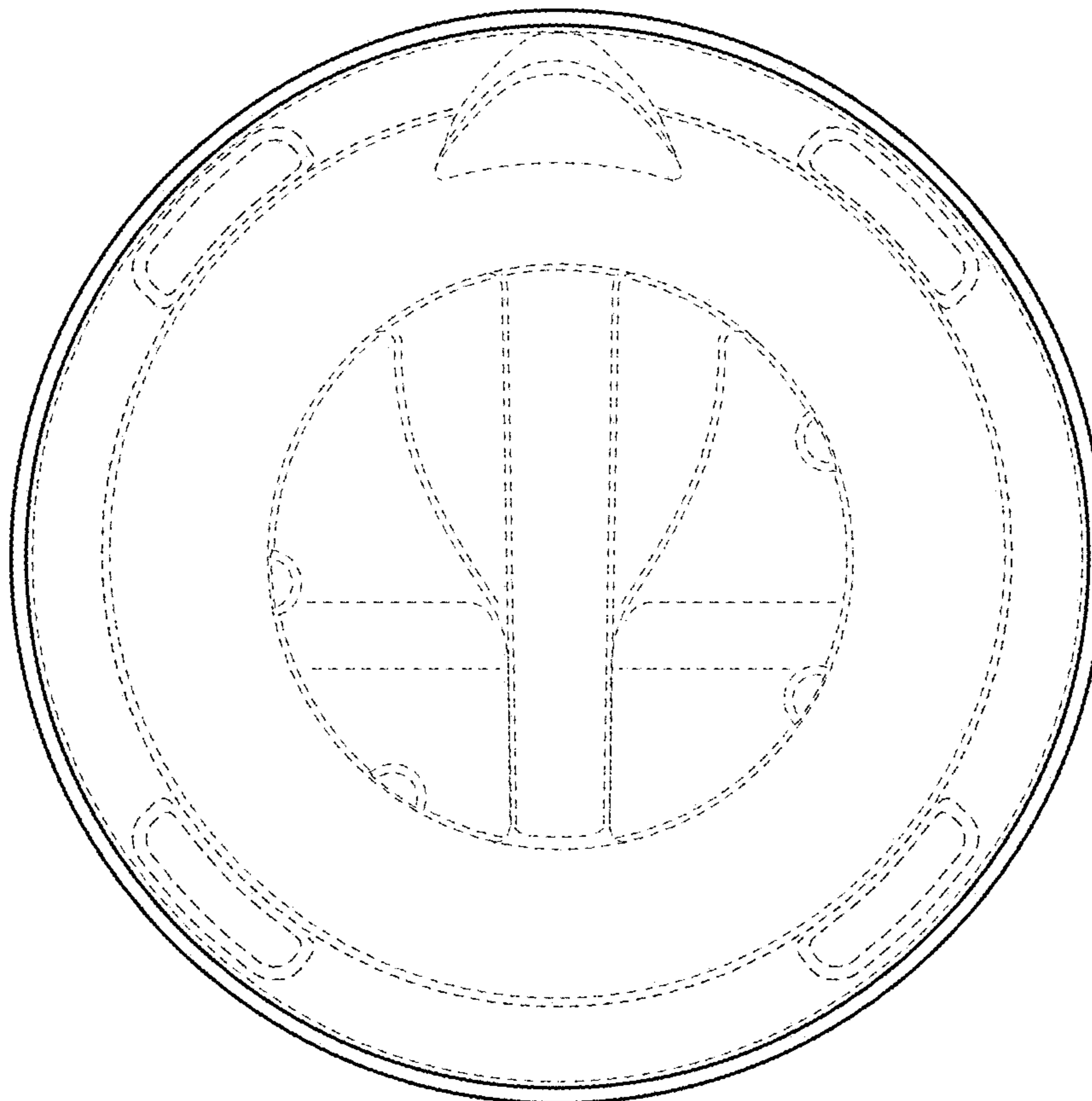


FIG. 9

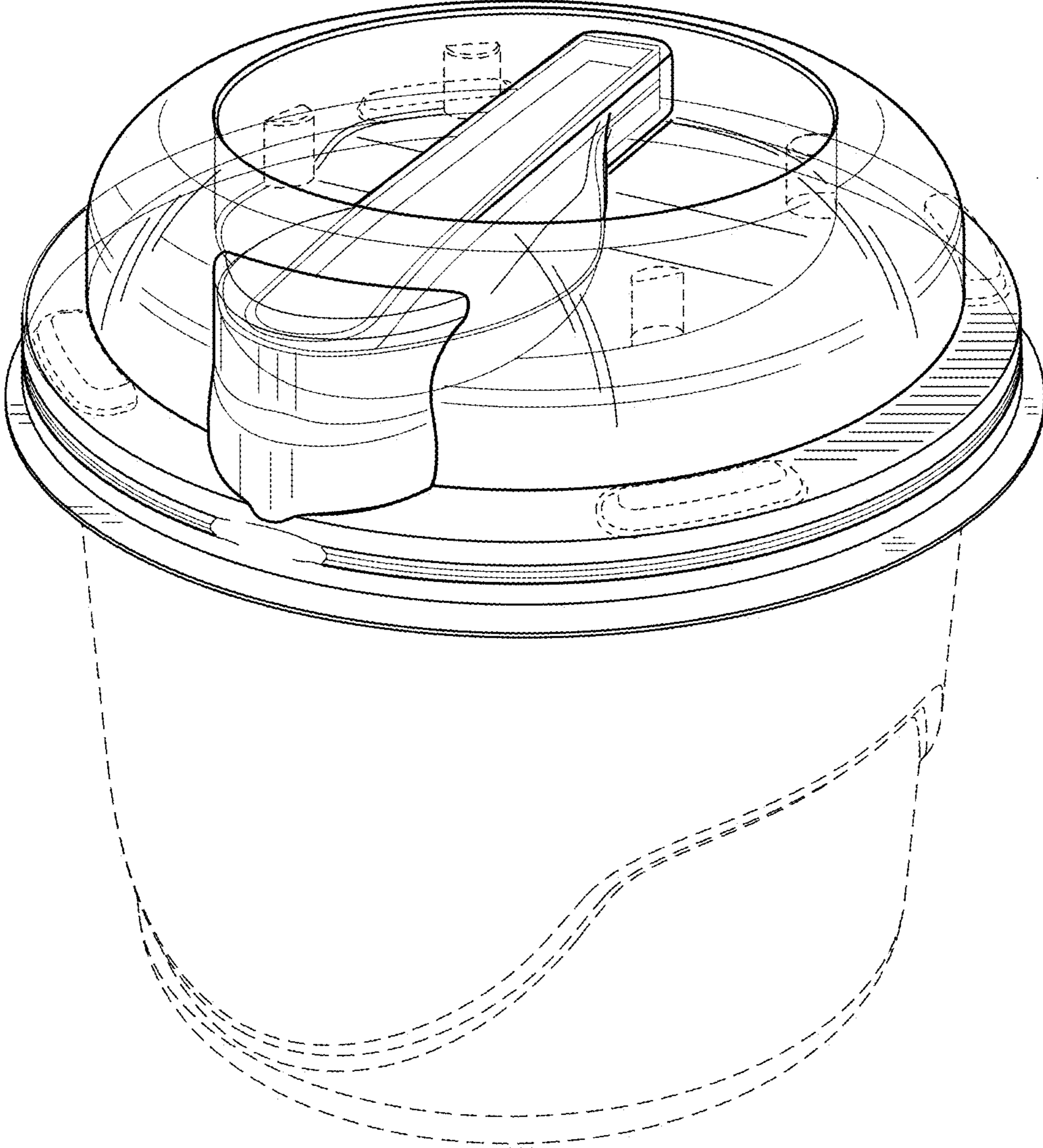


FIG. 10

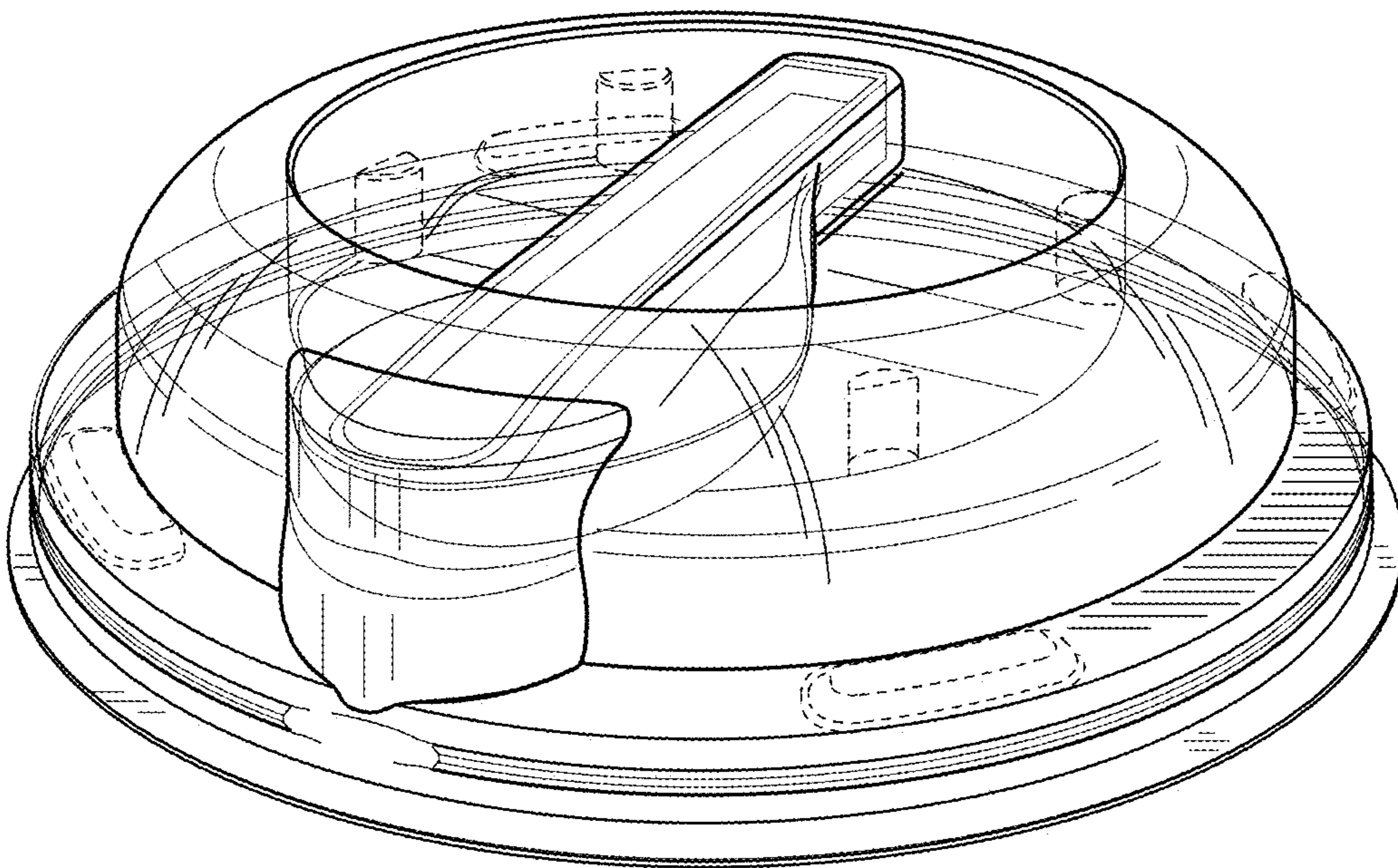


FIG. 11

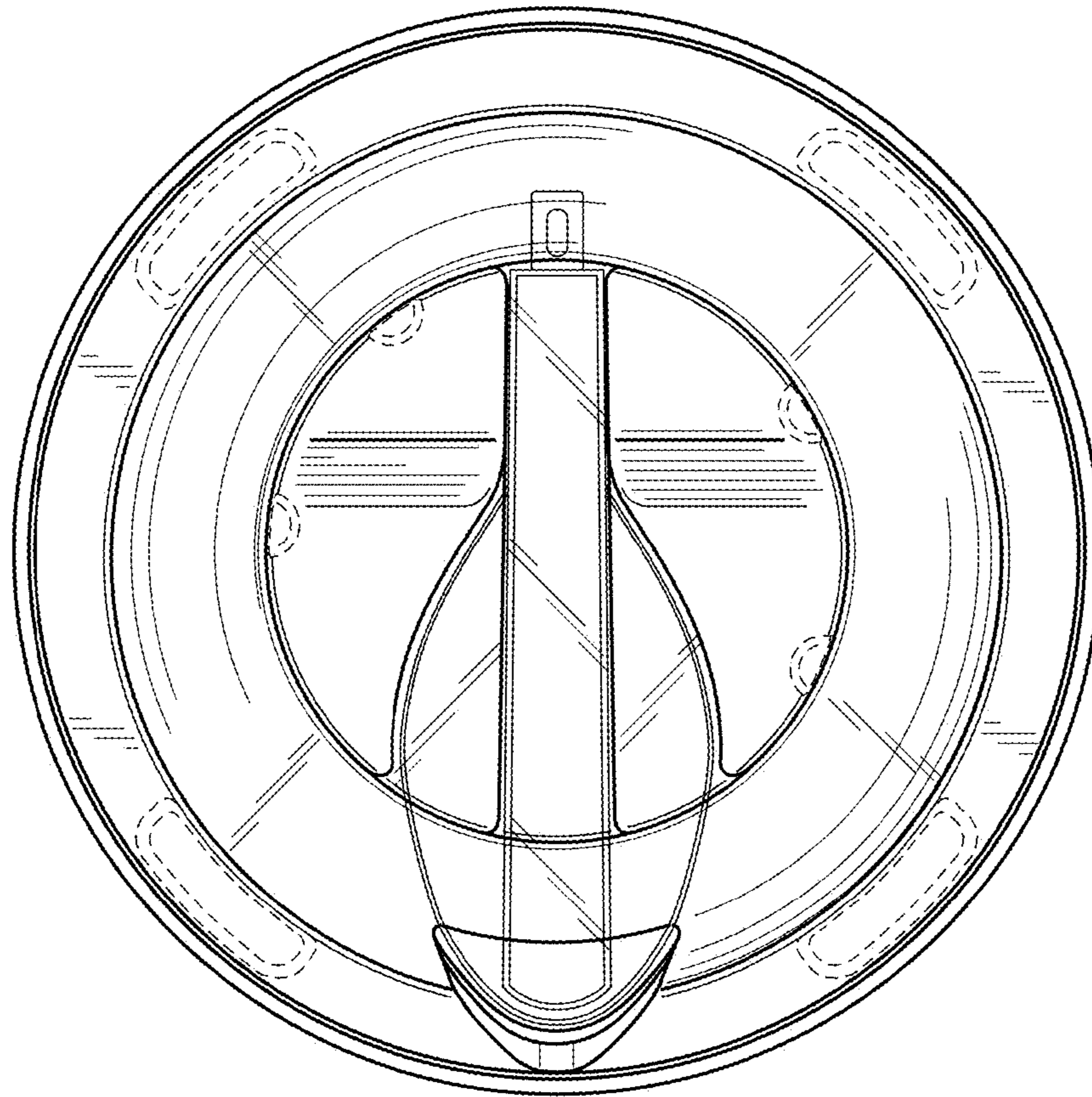


FIG. 12

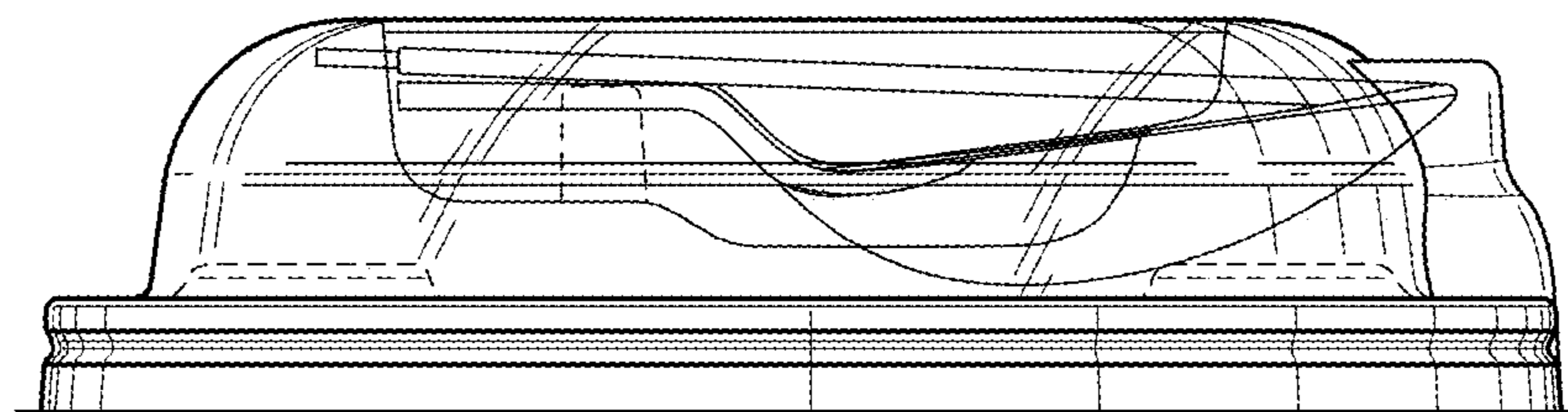


FIG. 13

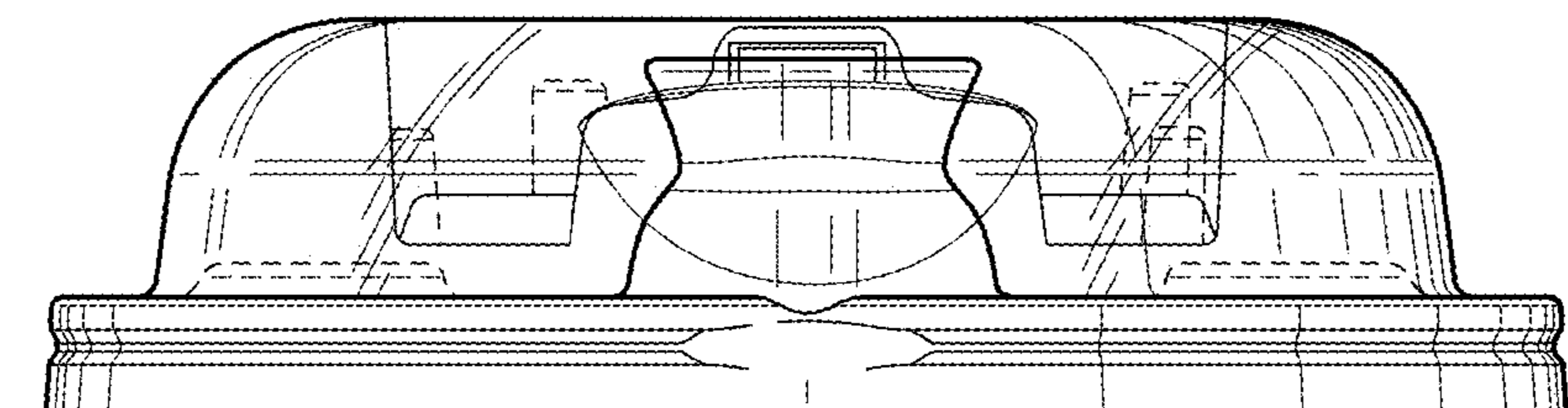


FIG. 14

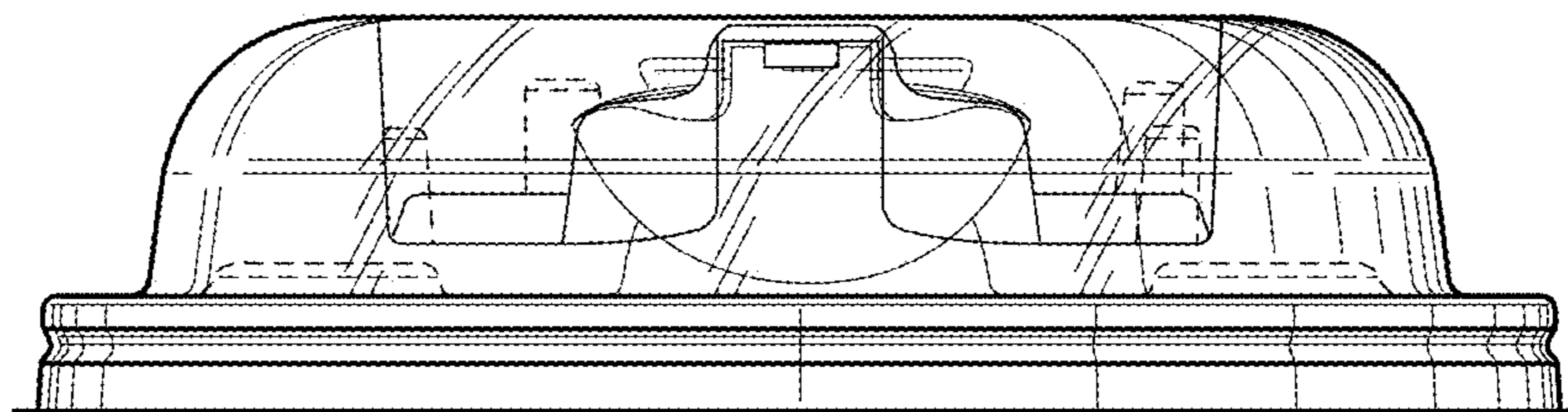


FIG. 15

