



US00D898563S

(12) **United States Design Patent** (10) **Patent No.:** **US D898,563 S**
Filleul et al. (45) **Date of Patent:** **** Oct. 13, 2020**

(54) **ADVERTISING MEDIUM FOR PORTION OF ELECTRONIC CIGARETTE**

(71) Applicant: **Philip Morris Products S.A.**,
Neuchatel (CH)
(72) Inventors: **Bayden Filleul**, Dublin (IE); **Michael Nolan**, Dublin (IE); **Florent Cuchet**,
Stockholm (SE)
(73) Assignee: **Philip Morris Products S.A.**,
Neuchatel (CH)

(**) Term: **15 Years**

(21) Appl. No.: **29/657,512**

(22) Filed: **Jul. 23, 2018**

(30) **Foreign Application Priority Data**

Jan. 24, 2018 (EM) 004678407-0003
Jan. 24, 2018 (EM) 004678407-0004

(51) **LOC (12) Cl.** **09-03**

(52) **U.S. Cl.**
USPC **D9/415; D27/194**

(58) **Field of Classification Search**
USPC D9/414, 415, 416, 419, 432, 434, 435,
D9/449, 455, 457; D27/100, 167, 172,
D27/173, 186, 193, 194; D20/42, 43;
D14/485, 489, 492
CPC B65D 5/42; B65D 5/4212; B65D 5/4258;
B65D 5/061; B65D 5/064; B65D 85/10;
B65D 85/1072; B65D 2203/00; B65D
2203/02; B65D 75/14; A24F 47/002;
A24F 47/004; A24F 47/008; A24F 7/00;
A24F 7/02; A24F 5/00

See application file for complete search history.

(56) **References Cited**

U.S. PATENT DOCUMENTS

D375,459	S	*	11/1996	Tipp	D9/434
D431,778	S	*	10/2000	Miller	D9/434
D543,105	S	*	5/2007	Kim	D9/432
D545,675	S	*	7/2007	Liebers	D9/434
D671,418	S	*	11/2012	Malone	D9/600
D725,310	S	*	3/2015	Eksouzian	D27/101
D825,103	S	*	8/2018	Wright	D27/194
D844,240	S	*	3/2019	Kauss	D27/194
D866,064	S	*	11/2019	Powell	D27/170
D885,653	S	*	5/2020	Ding	D27/162
2017/0006923	A1	*	1/2017	Li	B67D 99/00
2018/0000156	A1	*	1/2018	Qiu	A24F 47/008
2019/0124996	A1	*	5/2019	Qiu	A24F 47/008
2019/0387800	A1	*	12/2019	Lin	A24F 47/008
2020/0163390	A1	*	5/2020	Yang	A24F 7/00

* cited by examiner

Primary Examiner — Wan Laymon
Assistant Examiner — Clint A Samuel
(74) *Attorney, Agent, or Firm* — Oblon, McClelland,
Maier & Neustadt, L.L.P.

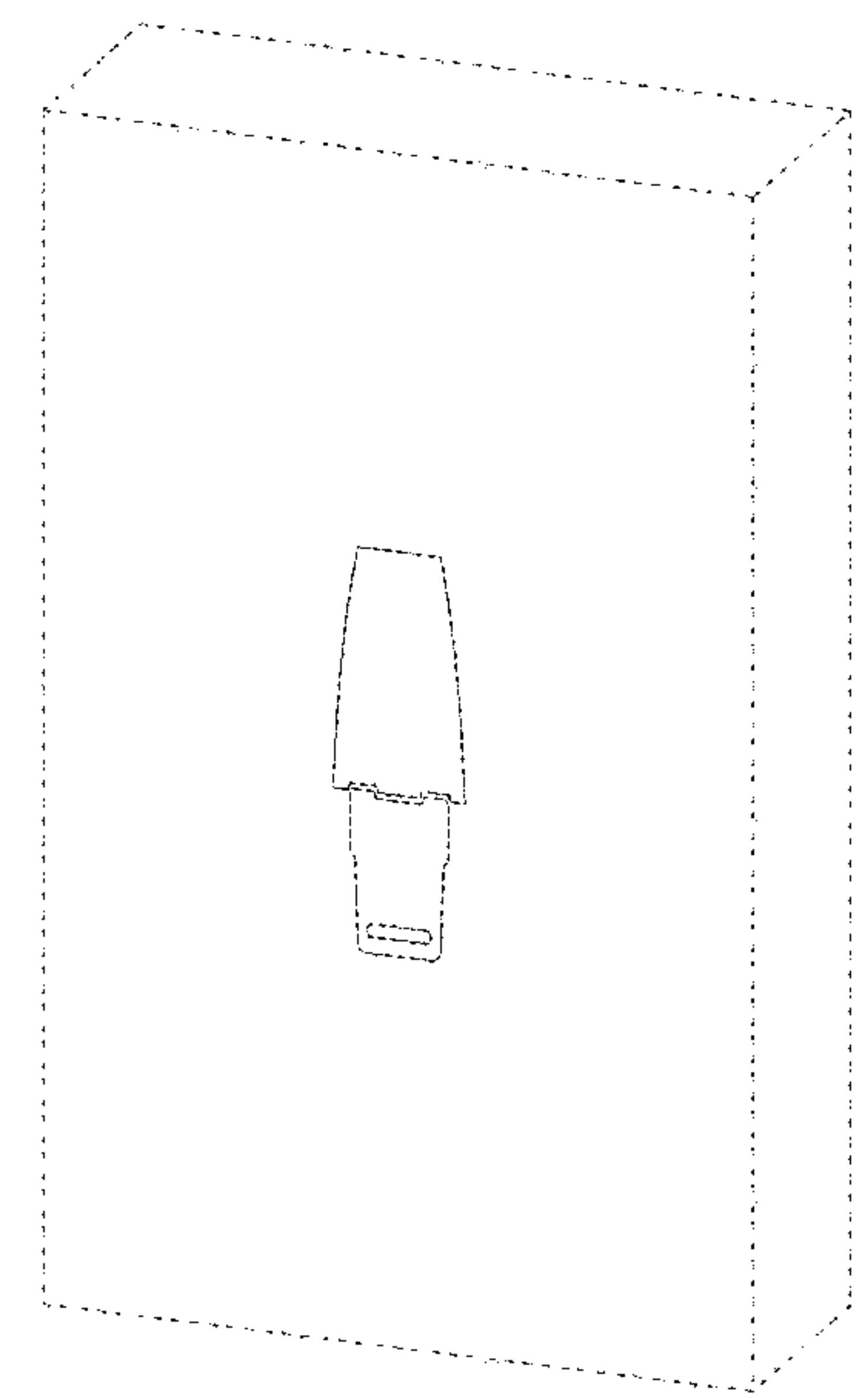
(57) **CLAIM**

The ornamental design for an advertising medium for portion of electronic cigarette, as shown and described.

DESCRIPTION

FIG. 1 is a front perspective view of an advertising medium for portion of electronic cigarette according to our new design;
FIG. 2 is a front elevational view thereof;
FIG. 3 is a rear elevational view thereof;
FIG. 4 is a left side elevational view thereof;
FIG. 5 is a right side elevational view thereof;
FIG. 6 is a top plan view thereof; and,
FIG. 7 is a bottom plan view thereof.
The broken lines in the figures represent unclaimed subject matter and form no part of the claimed design.

1 Claim, 7 Drawing Sheets



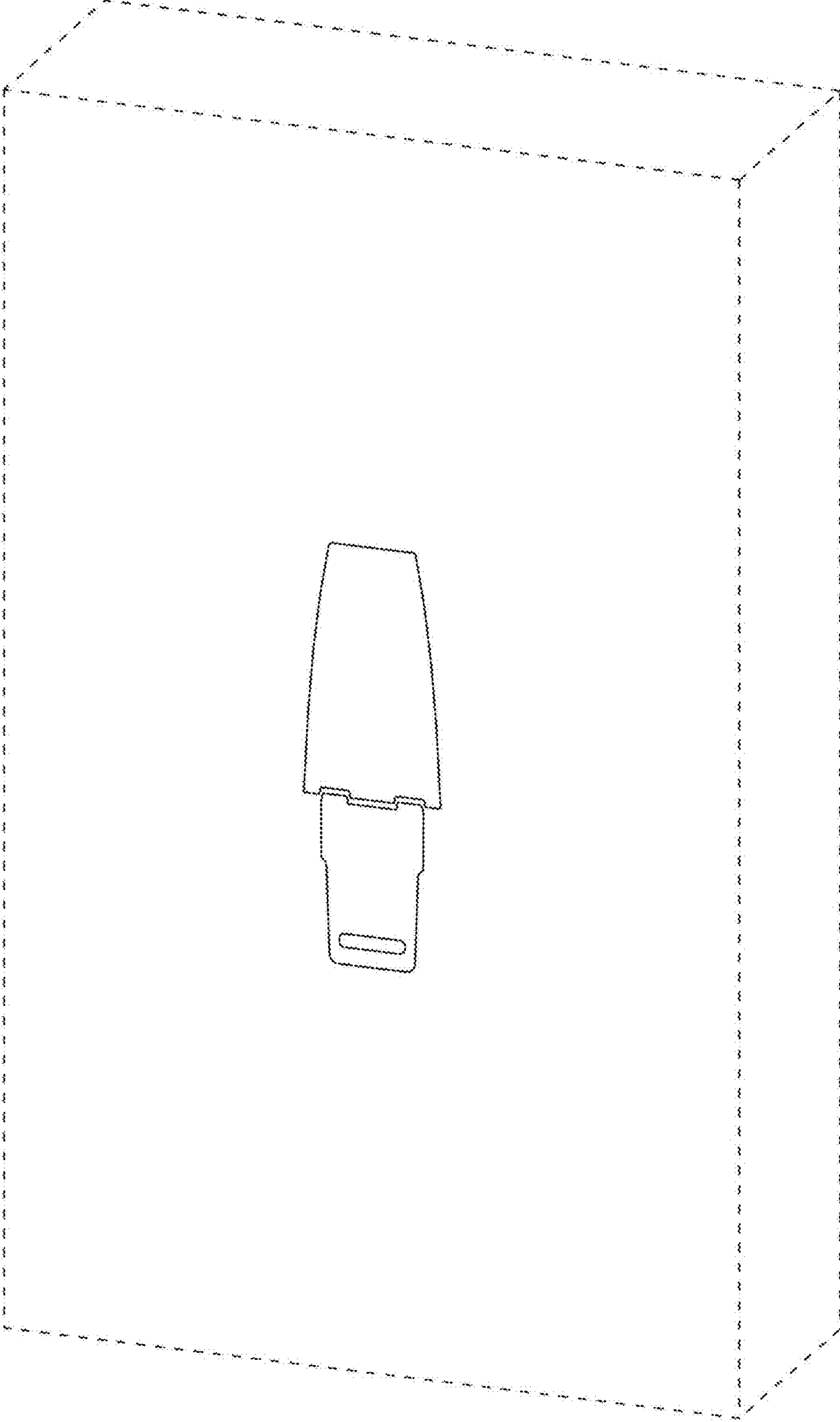


Fig. 1

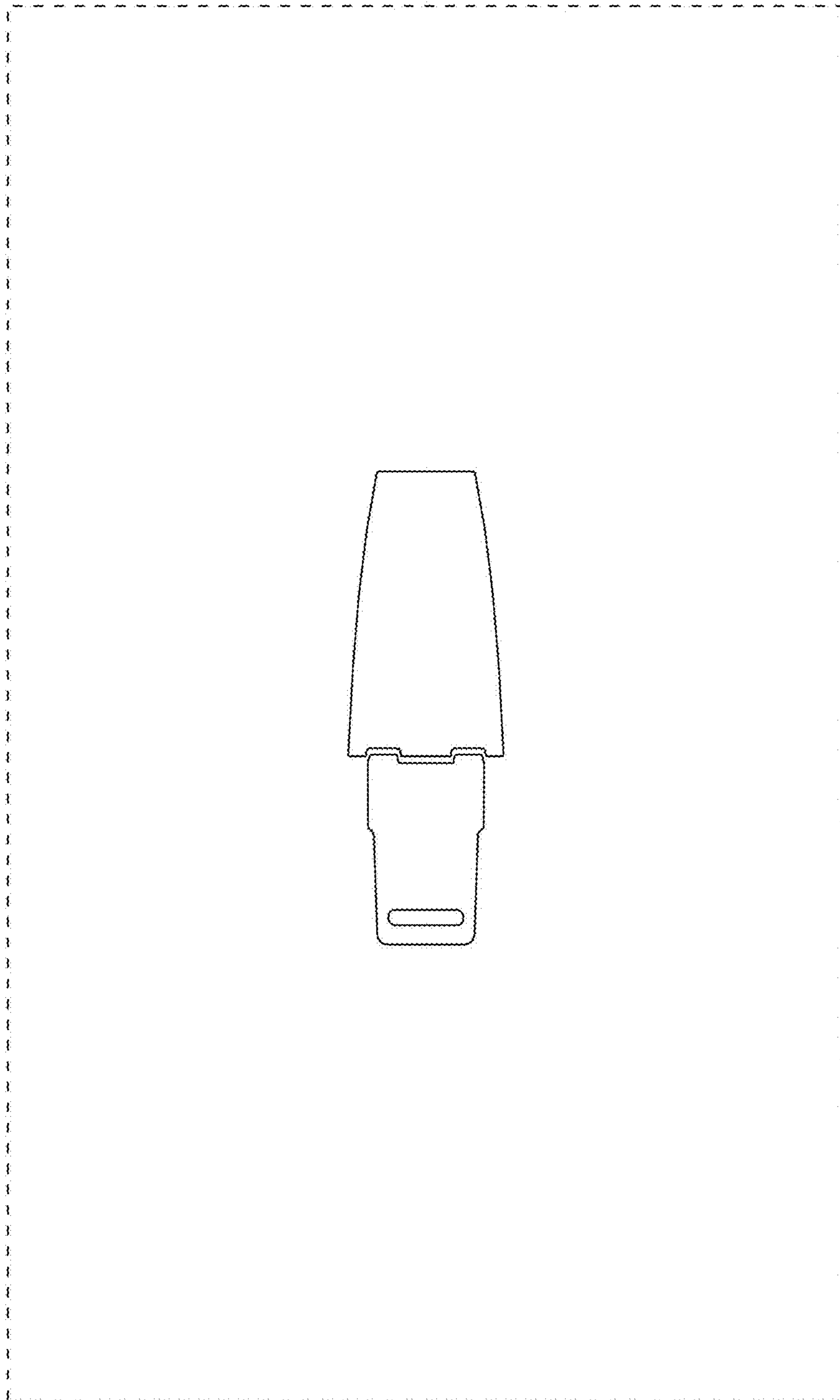


Fig. 2



Fig. 3

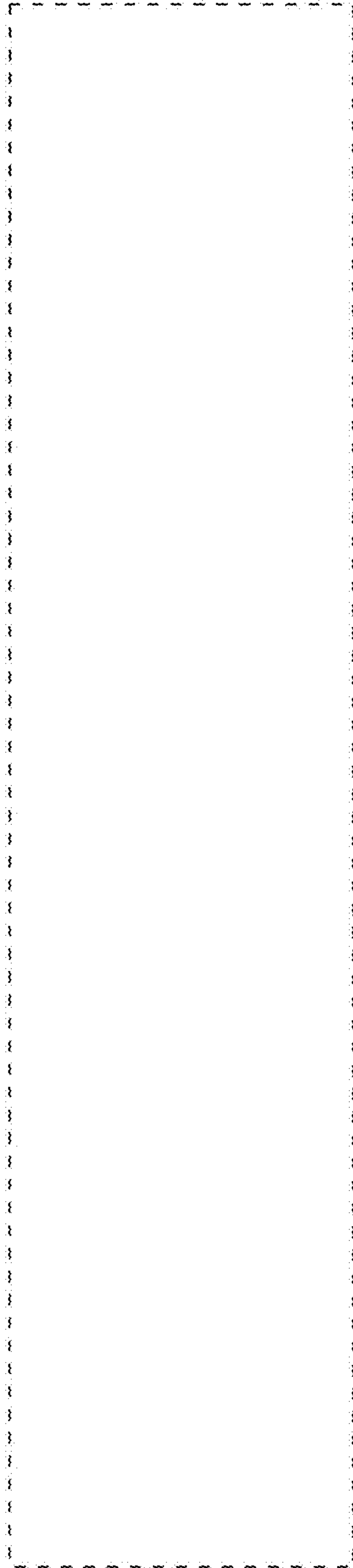


Fig. 4

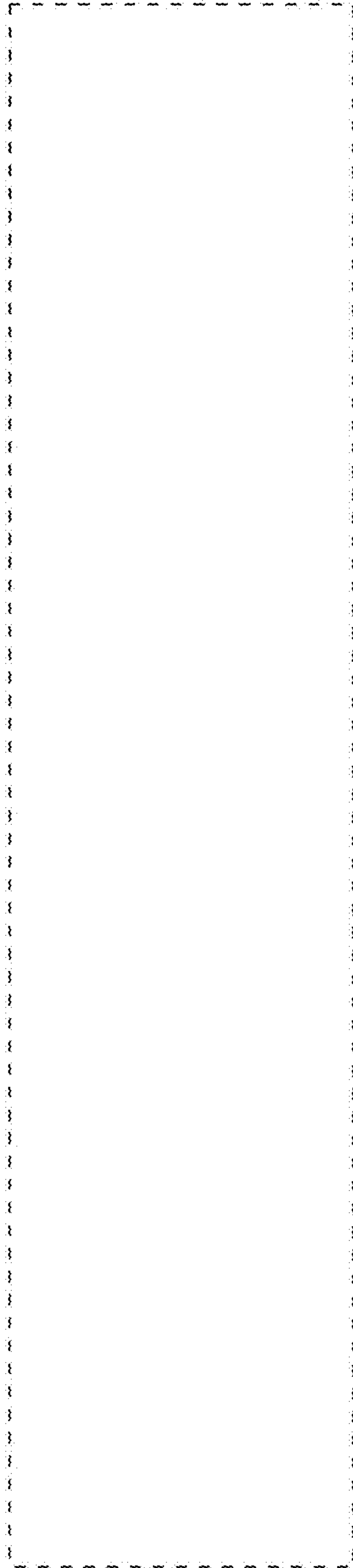


Fig. 5

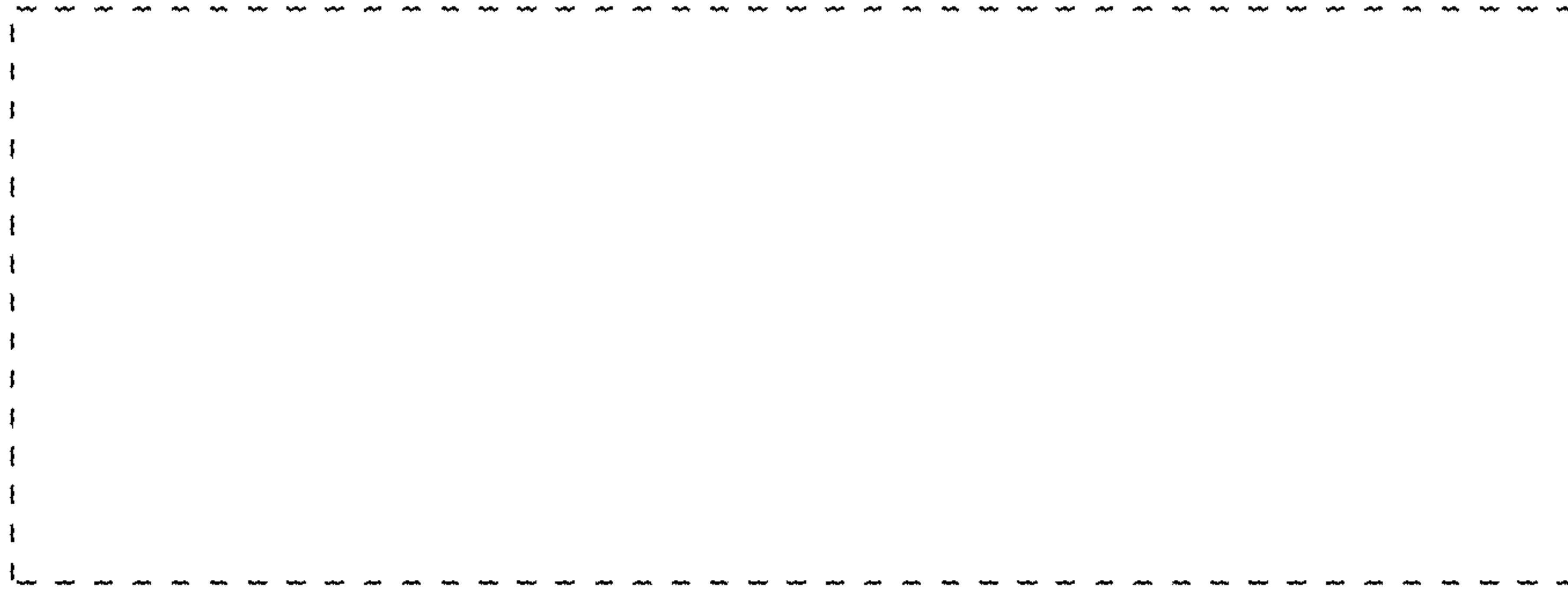


Fig. 6

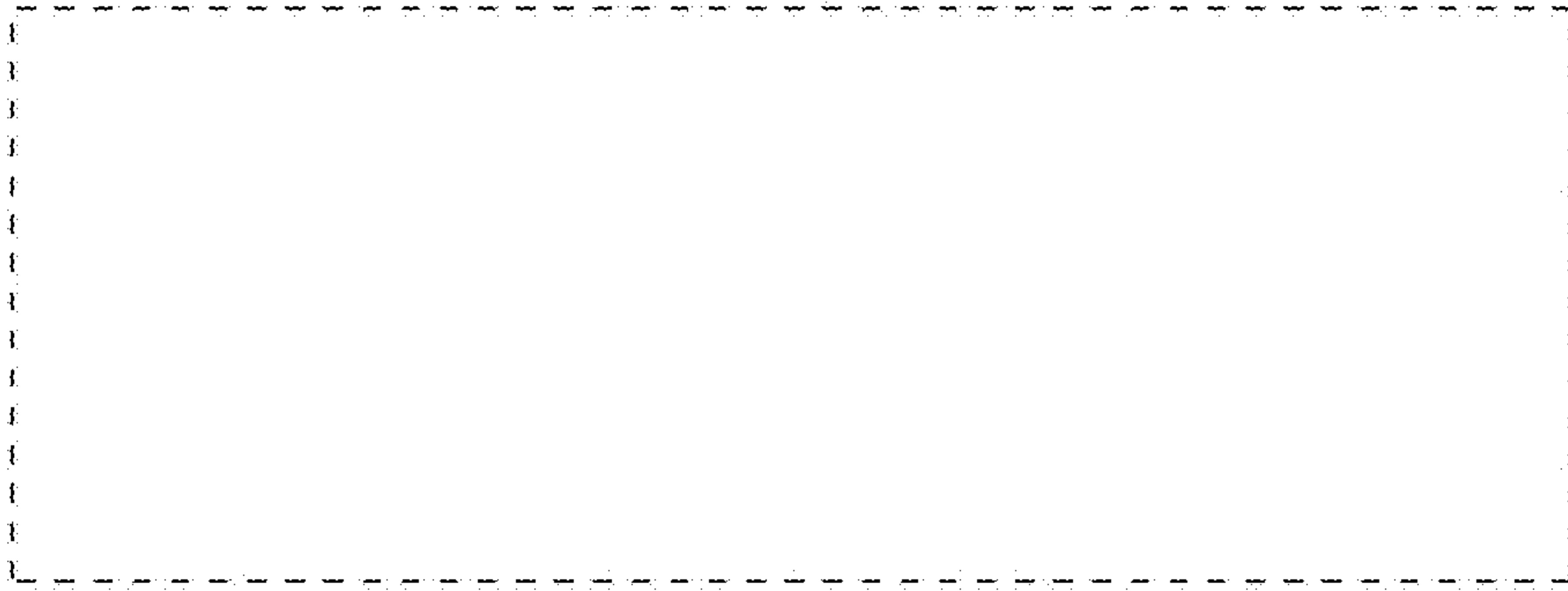


Fig. 7