



US00D898562S

(12) **United States Design Patent** (10) **Patent No.:** **US D898,562 S**  
**Rashed** (45) **Date of Patent:** **\*\* Oct. 13, 2020**

(54) **MAGNETIC DOORSTOP**  
(71) Applicant: **Leon Rashed**, San Pablo, CA (US)  
(72) Inventor: **Leon Rashed**, San Pablo, CA (US)  
(\*\*) Term: **15 Years**  
(21) Appl. No.: **29/716,134**  
(22) Filed: **Dec. 6, 2019**

4,505,502 A 3/1985 Tomita  
4,641,869 A \* 2/1987 Johnson ..... E05O 19/004  
292/339  
D303,625 S \* 9/1989 Ryser ..... D8/336  
5,282,658 A \* 2/1994 Reeves, Jr. .... E05C 17/443  
292/338  
5,771,533 A 6/1998 Kuang-Pin  
D533,447 S \* 12/2006 Irie ..... D8/402  
D600,109 S \* 9/2009 Bravo ..... D8/402  
8,186,011 B2 \* 5/2012 Rooney ..... E05C 17/443  
16/82  
8,540,292 B2 9/2013 Ferguson  
8,567,831 B2 10/2013 Roti  
10,184,276 B2 \* 1/2019 Sassone ..... E05C 17/443  
10,316,556 B2 \* 6/2019 Richmond ..... G08B 13/08  
D856,127 S \* 8/2019 Pistone ..... D8/402  
2007/0113376 A1 5/2007 Frushour  
2016/0215538 A1 \* 7/2016 Pistone ..... E05C 17/443

**Related U.S. Application Data**

(63) Continuation-in-part of application No. 16/376,684,  
filed on Apr. 5, 2019.  
(51) **LOC (12) Cl.** ..... **08-09**  
(52) **U.S. Cl.**  
USPC ..... **D8/402**  
(58) **Field of Classification Search**  
USPC ..... D8/349, 354, 355, 373, 380, 382, 383,  
D8/394, 396, 336, 402; D13/118, 149,  
D13/154; D32/72; 292/DIG. 15, 338  
CPC ..... E05C 17/443  
See application file for complete search history.

\* cited by examiner

*Primary Examiner* — Janice Hallmark  
*Assistant Examiner* — Harold E Blackwell, II  
(74) *Attorney, Agent, or Firm* — Boudwin Intellectual  
Property; Daniel Boudwin

(57) **CLAIM**

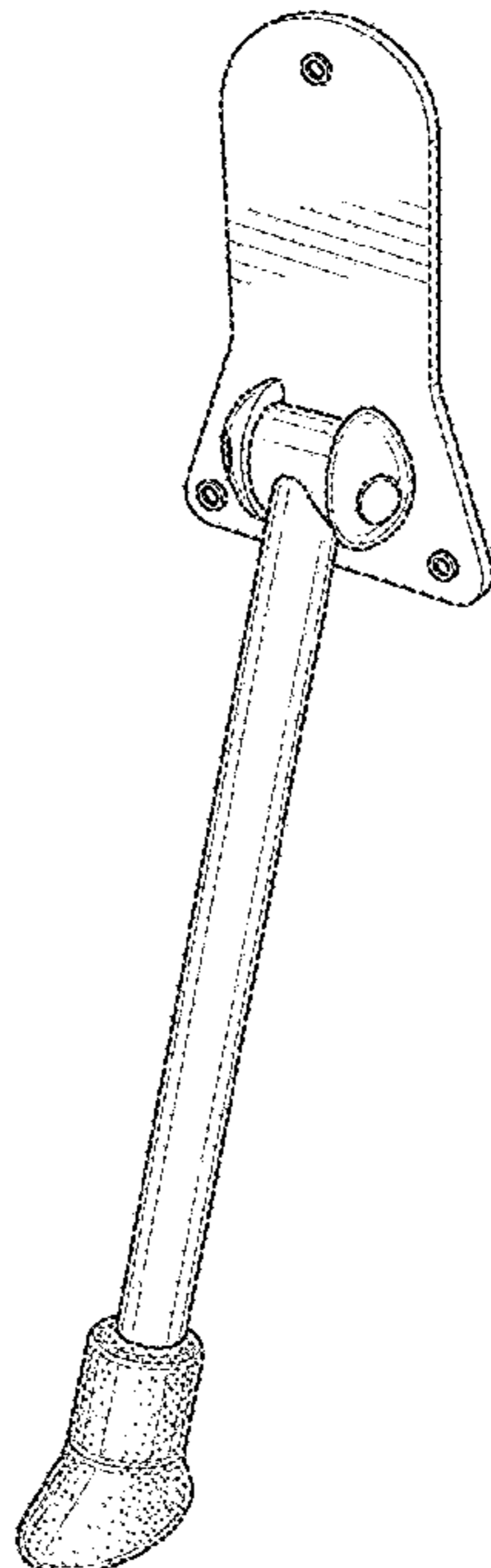
The ornamental design for a magnetic doorstop, as shown  
and described.

**DESCRIPTION**

FIG. 1 shows a perspective view of a magnetic doorstop;  
FIG. 2 shows a front view of the magnetic doorstop;  
FIG. 3 shows a rear of the magnetic doorstop;  
FIG. 4 shows a right side view of the magnetic doorstop;  
FIG. 5 shows a left side view of the magnetic doorstop;  
FIG. 6 shows a top plan view of the magnetic doorstop; and,  
FIG. 7 shows a bottom plan view of the magnetic doorstop.

(56) **References Cited**  
U.S. PATENT DOCUMENTS  
D74,227 S \* 1/1928 Johnson ..... D8/402  
2,761,718 A 9/1956 Tool  
D214,870 S \* 8/1969 Malone ..... D8/339  
3,701,557 A 10/1972 Centofante  
3,831,989 A \* 8/1974 Gurzenda ..... E05C 17/443  
292/338  
4,456,291 A \* 6/1984 Brogie ..... E05C 19/004  
292/338  
4,494,784 A \* 1/1985 Haynes ..... E05C 17/443  
16/82

**1 Claim, 4 Drawing Sheets**



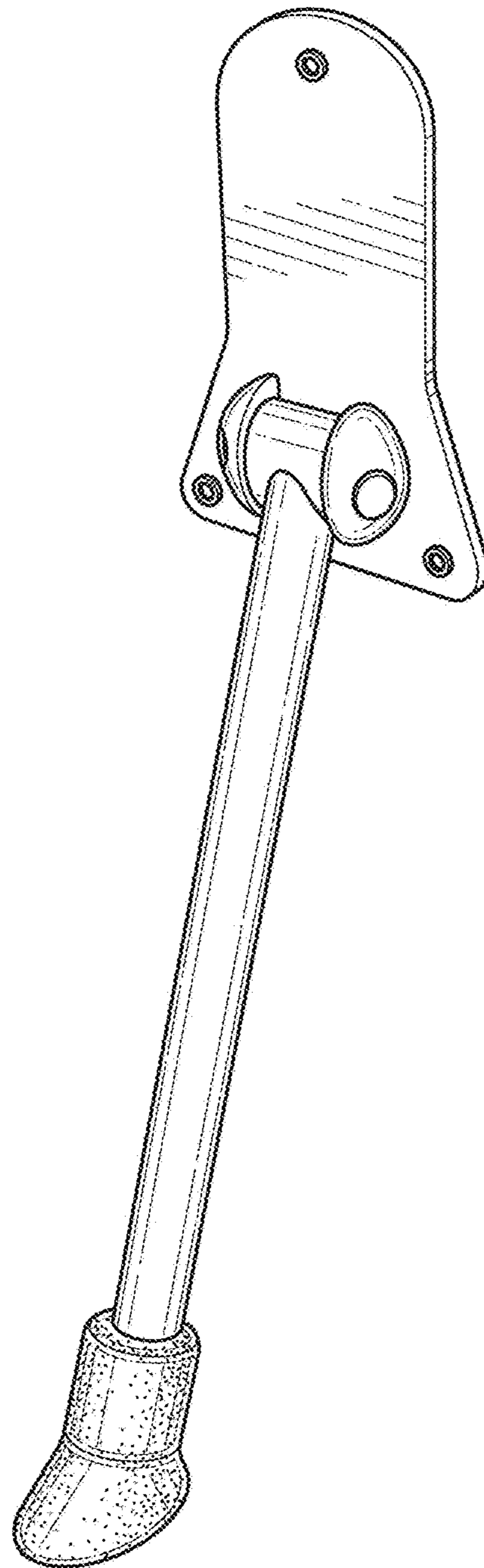


FIG. 1

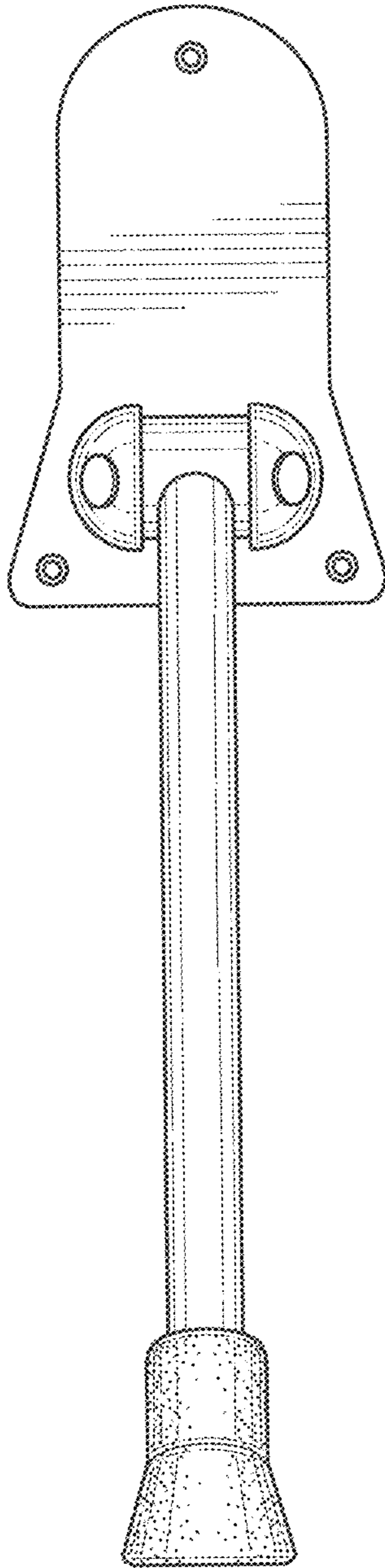


FIG. 2

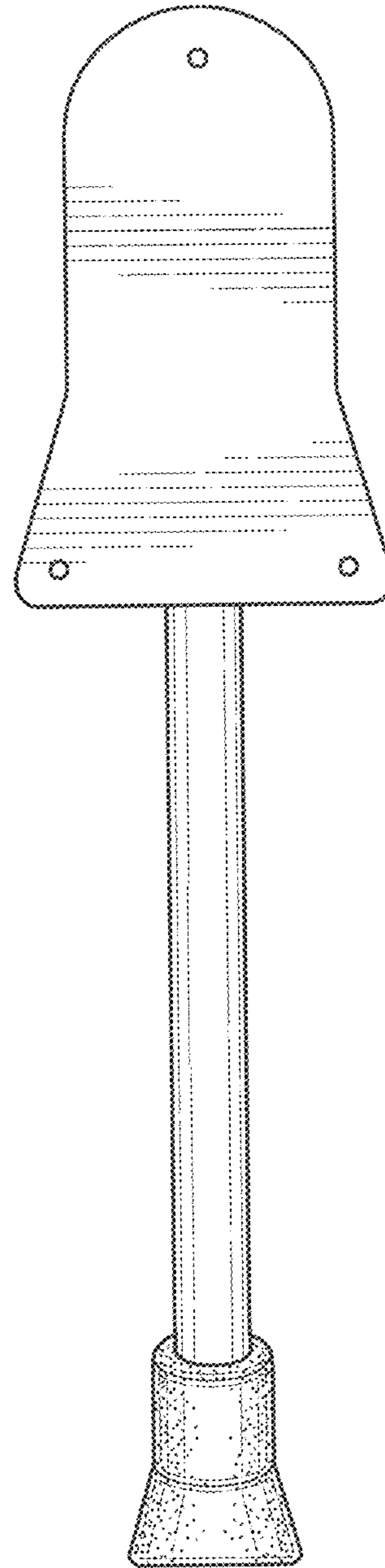


FIG. 3

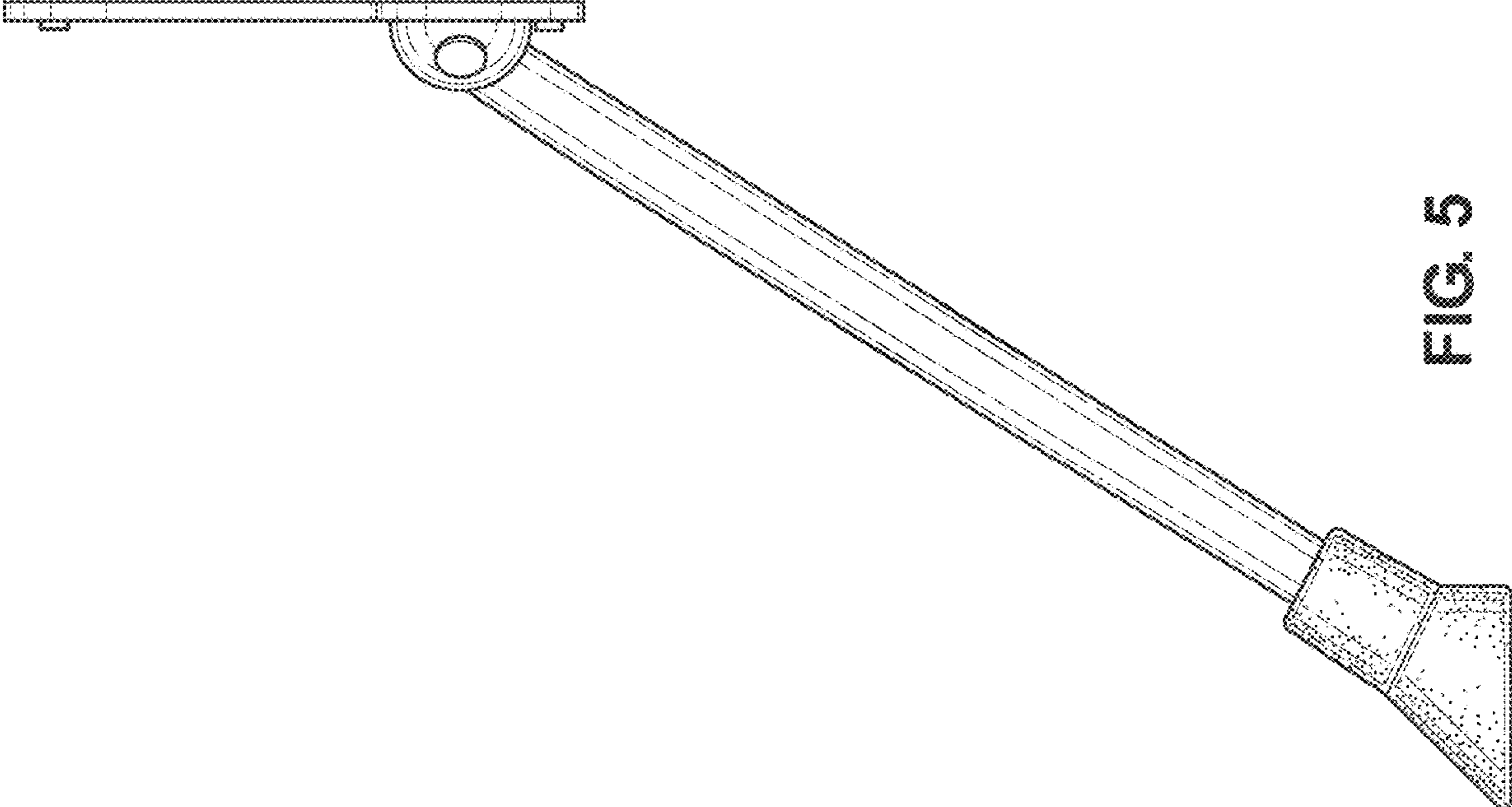


FIG. 5

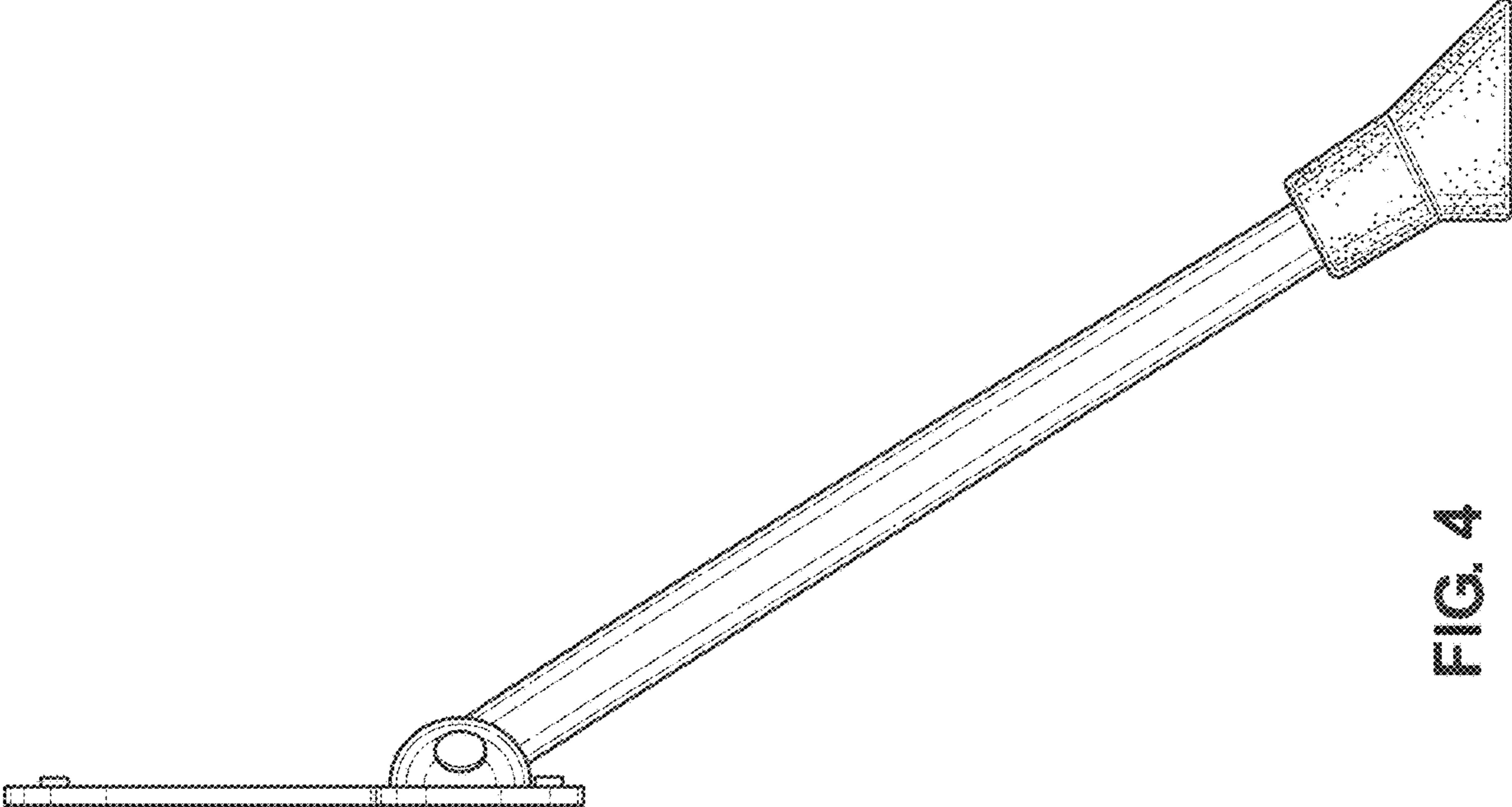


FIG. 4



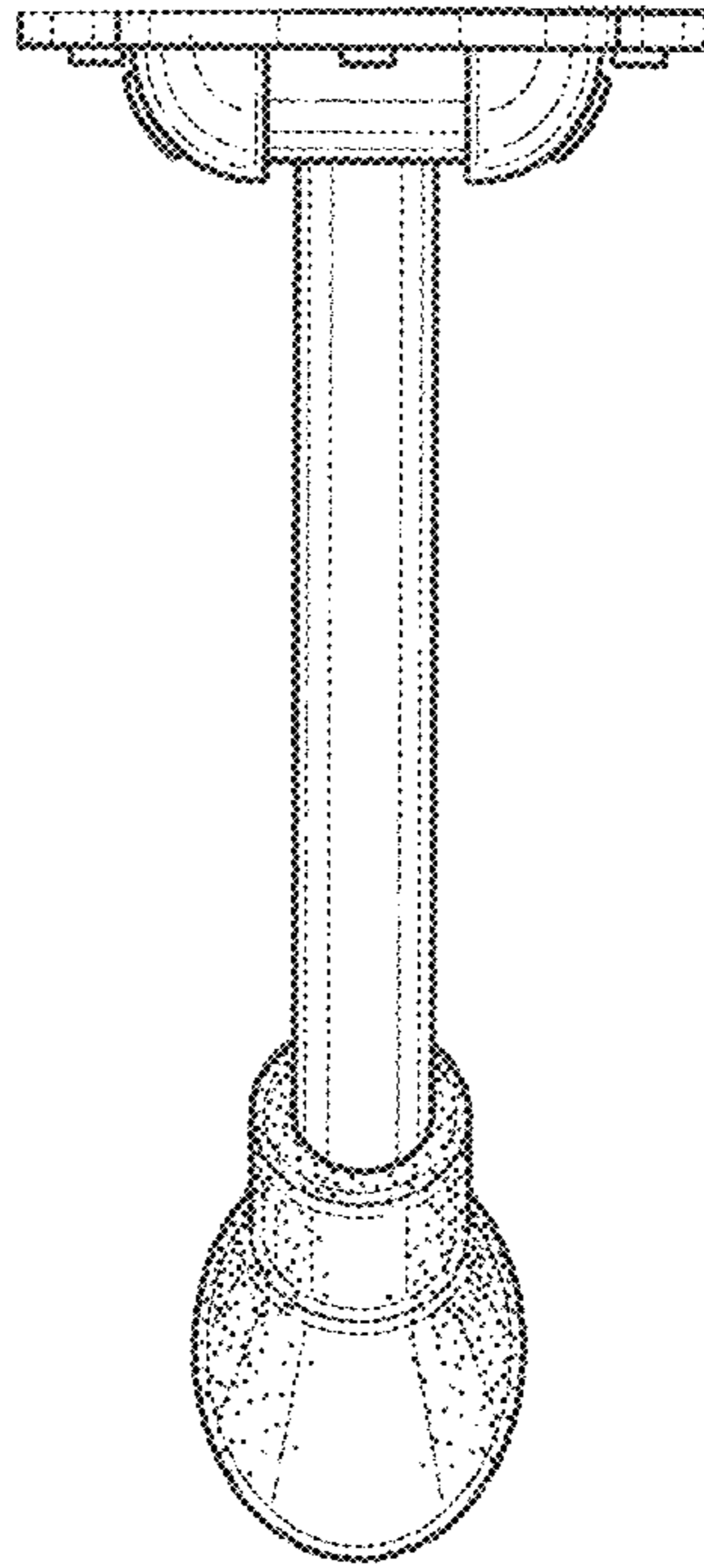


FIG. 6

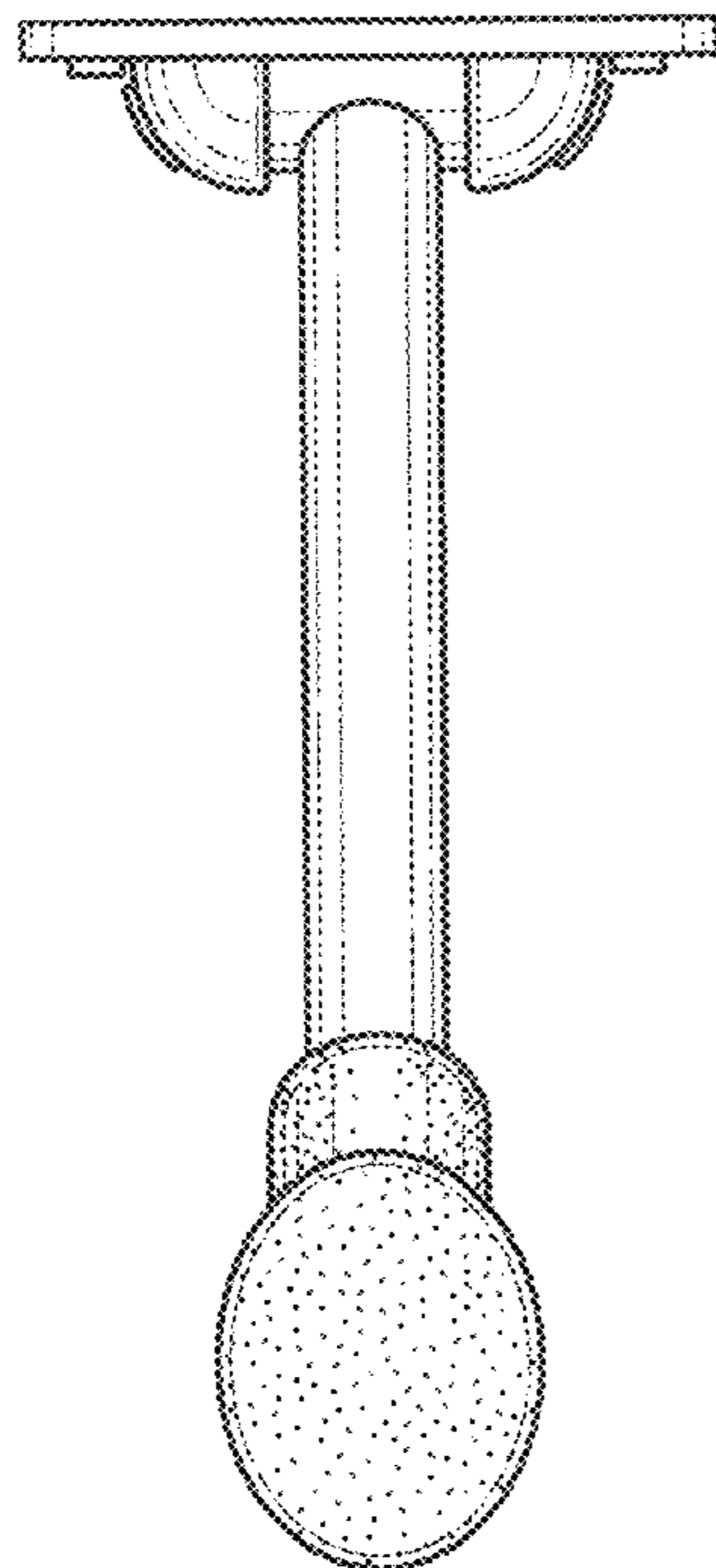


FIG. 7