



US00D898561S

(12) **United States Design Patent**  
**Pizanias et al.**

(10) **Patent No.:** **US D898,561 S**

(45) **Date of Patent:** **\*\* Oct. 13, 2020**

(54) **ADJUSTABLE LOCK DOWN DOOR BAR**

(71) Applicants: **Charlie Pizanias**, Campbell, OH (US);  
**Raymond N. DeLuco**, Hubbard, OH  
(US); **Gus Lyras**, Campbell, OH (US)

(72) Inventors: **Charlie Pizanias**, Campbell, OH (US);  
**Raymond N. DeLuco**, Hubbard, OH  
(US); **Gus Lyras**, Campbell, OH (US)

(\*\*) Term: **15 Years**

(21) Appl. No.: **29/656,433**

(22) Filed: **Jul. 12, 2018**

(51) **LOC (12) Cl.** ..... **08-09**

(52) **U.S. Cl.**  
USPC ..... **D8/402**

(58) **Field of Classification Search**  
USPC ..... D8/330, 331, 226, 339, 343, 342, 349,  
D8/402, 499  
CPC ..... E05C 17/443; E05C 19/18; E05C 19/188;  
F16B 7/10; B60R 25/08  
See application file for complete search history.

(56) **References Cited**

**U.S. PATENT DOCUMENTS**

- 786,831 A \* 4/1905 McMahon ..... E05C 17/54  
292/343
- 979,853 A \* 12/1910 Hartshorn ..... F16B 13/066  
411/53
- 3,310,327 A \* 3/1967 Tremblay ..... E04B 1/34384  
403/219
- D221,131 S \* 7/1971 Germock, Jr. .... D8/402

- D294,676 S \* 3/1988 Egner ..... D8/382
- D347,163 S \* 5/1994 Issard ..... D8/387
- D347,570 S \* 6/1994 Burge ..... D8/402
- 6,187,124 B1 \* 2/2001 Campfield ..... B29C 73/025  
156/94
- D552,963 S \* 10/2007 Freeman ..... D8/339
- D572,113 S \* 7/2008 Saucedo ..... D8/339
- D635,453 S \* 4/2011 Giles ..... D8/402
- 8,365,355 B2 \* 2/2013 Liu ..... E05C 17/54  
16/82
- D773,282 S \* 12/2016 Gold ..... E05B 71/00  
D8/339
- D794,417 S \* 8/2017 Hogan ..... D8/343
- D821,178 S \* 6/2018 Fontanez ..... D8/339
- D857,487 S \* 8/2019 Thompson ..... D8/390
- D883,779 S \* 5/2020 Koelling ..... F16B 12/125  
D8/402

\* cited by examiner

*Primary Examiner* — John Windmuller

(74) *Attorney, Agent, or Firm* — Harpman+ Harpman

(57) **CLAIM**

The ornamental design for an adjustable lock down door bar, as shown and described.

**DESCRIPTION**

FIG. 1 is a front and top perspective view of an adjustable lock down door bar showing our new design.

FIG. 2 is a front elevational view thereof.

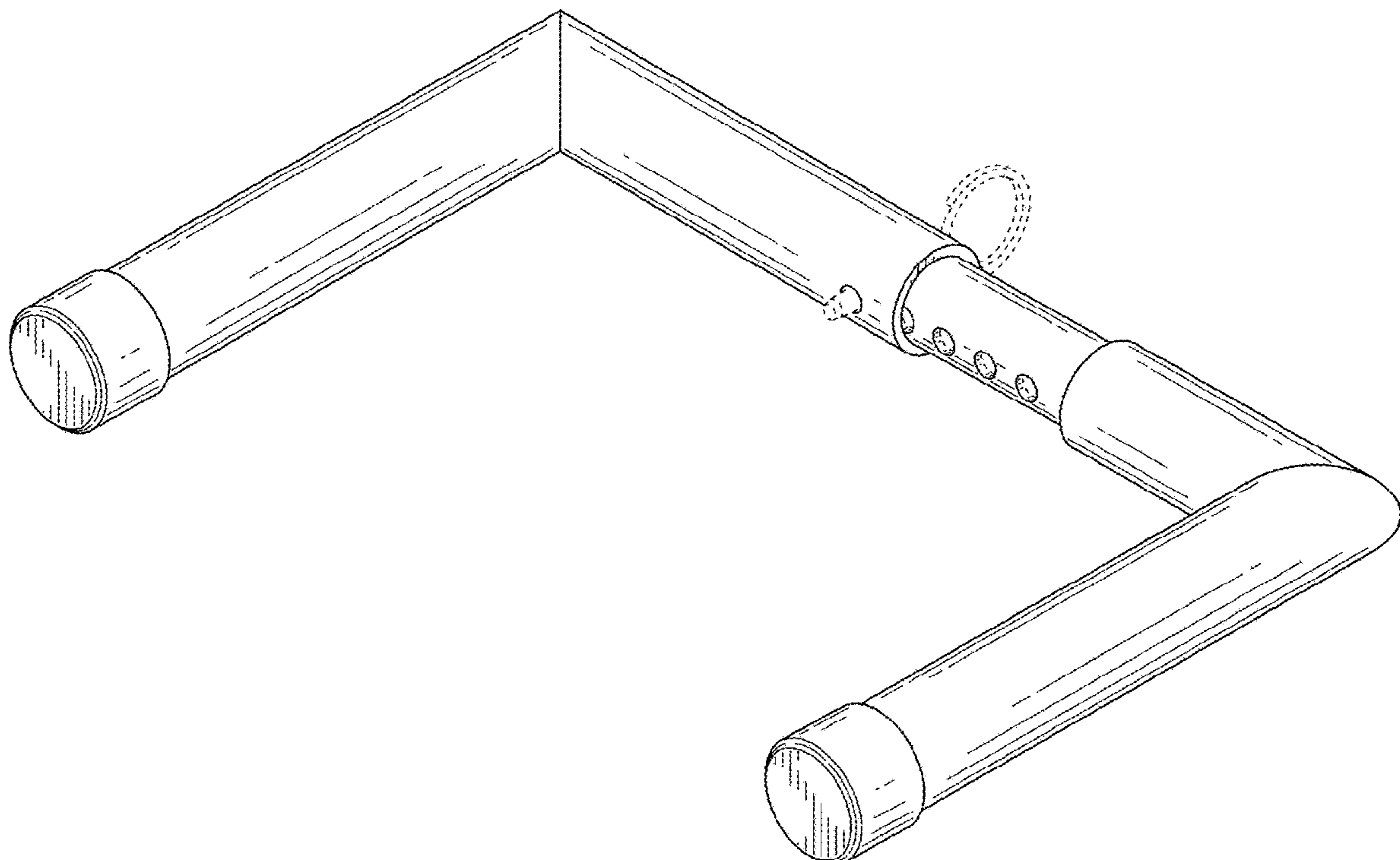
FIG. 3 is a rear elevational view thereof.

FIG. 4 is a top plan view thereof.

FIG. 5 is a bottom plan view thereof; and,

FIG. 6 is a left side elevational view thereof.

**1 Claim, 5 Drawing Sheets**



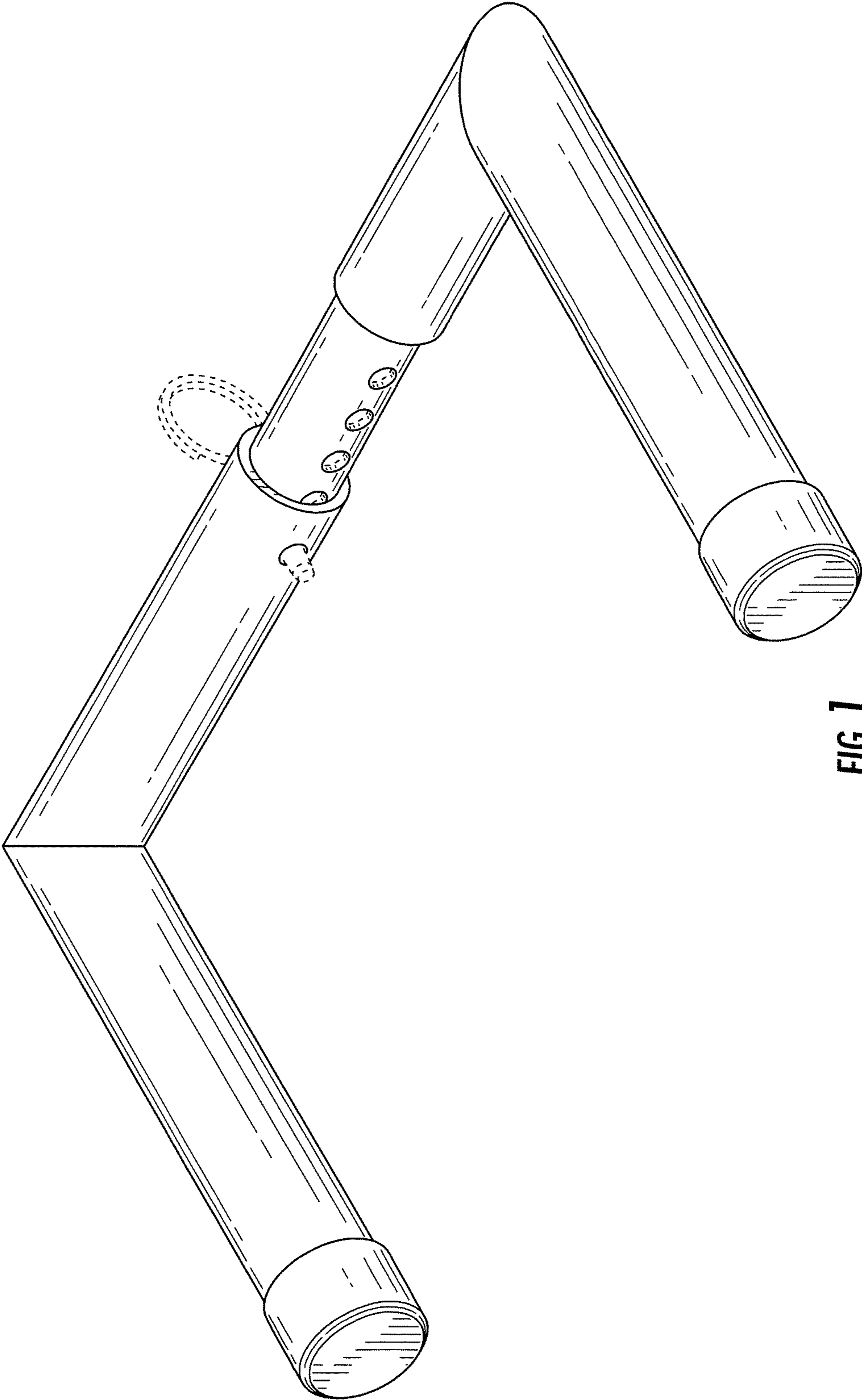


FIG. 1

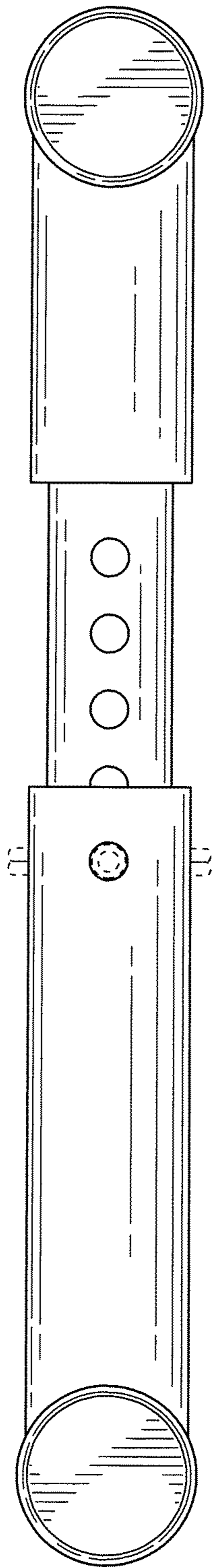


FIG. 2

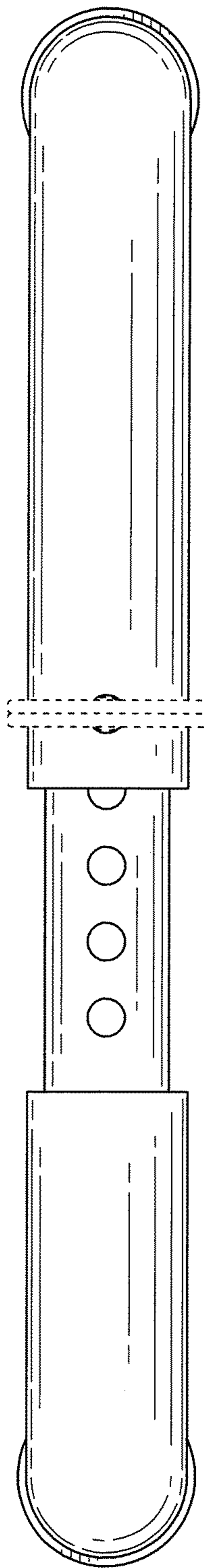


FIG. 3

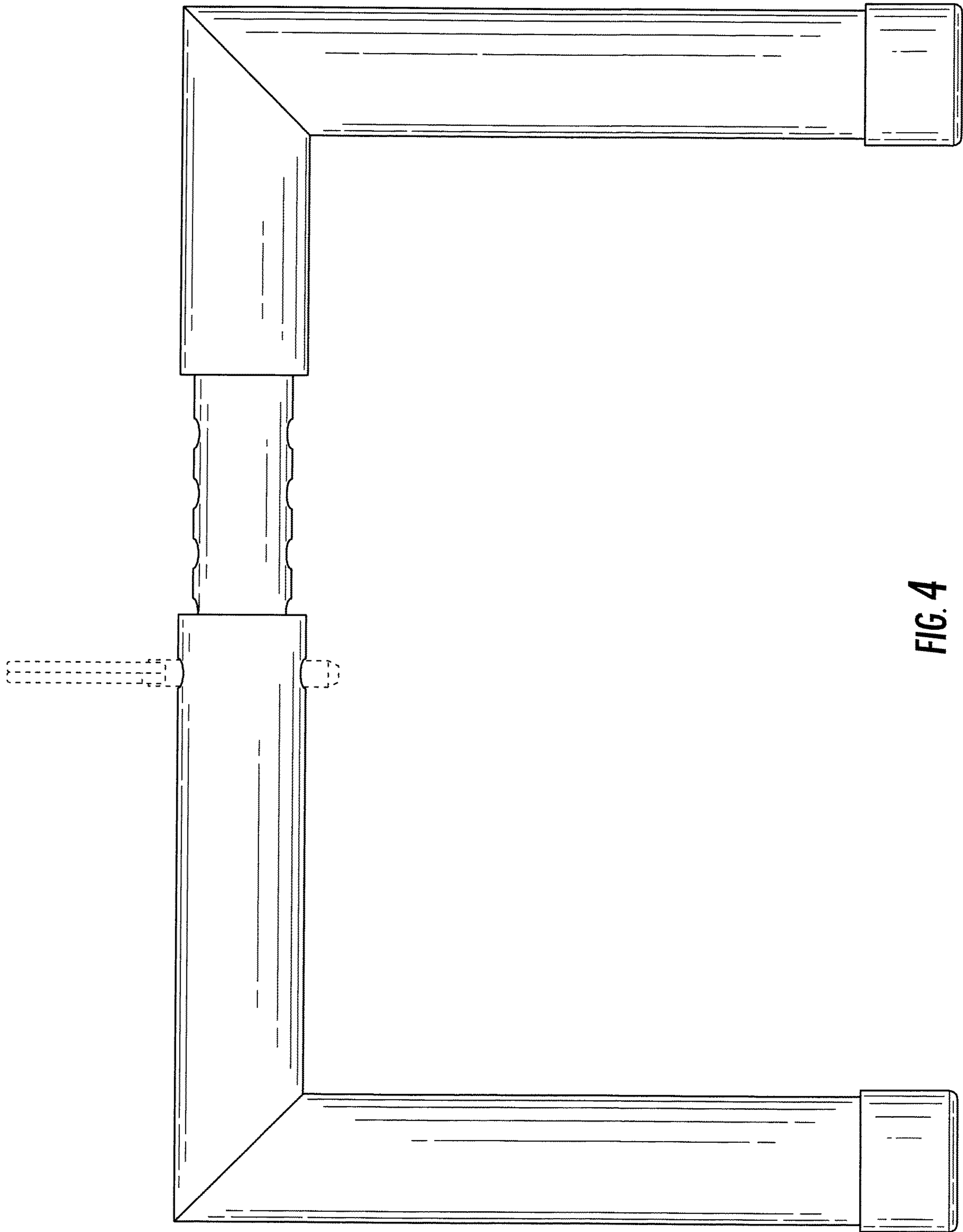


FIG. 4



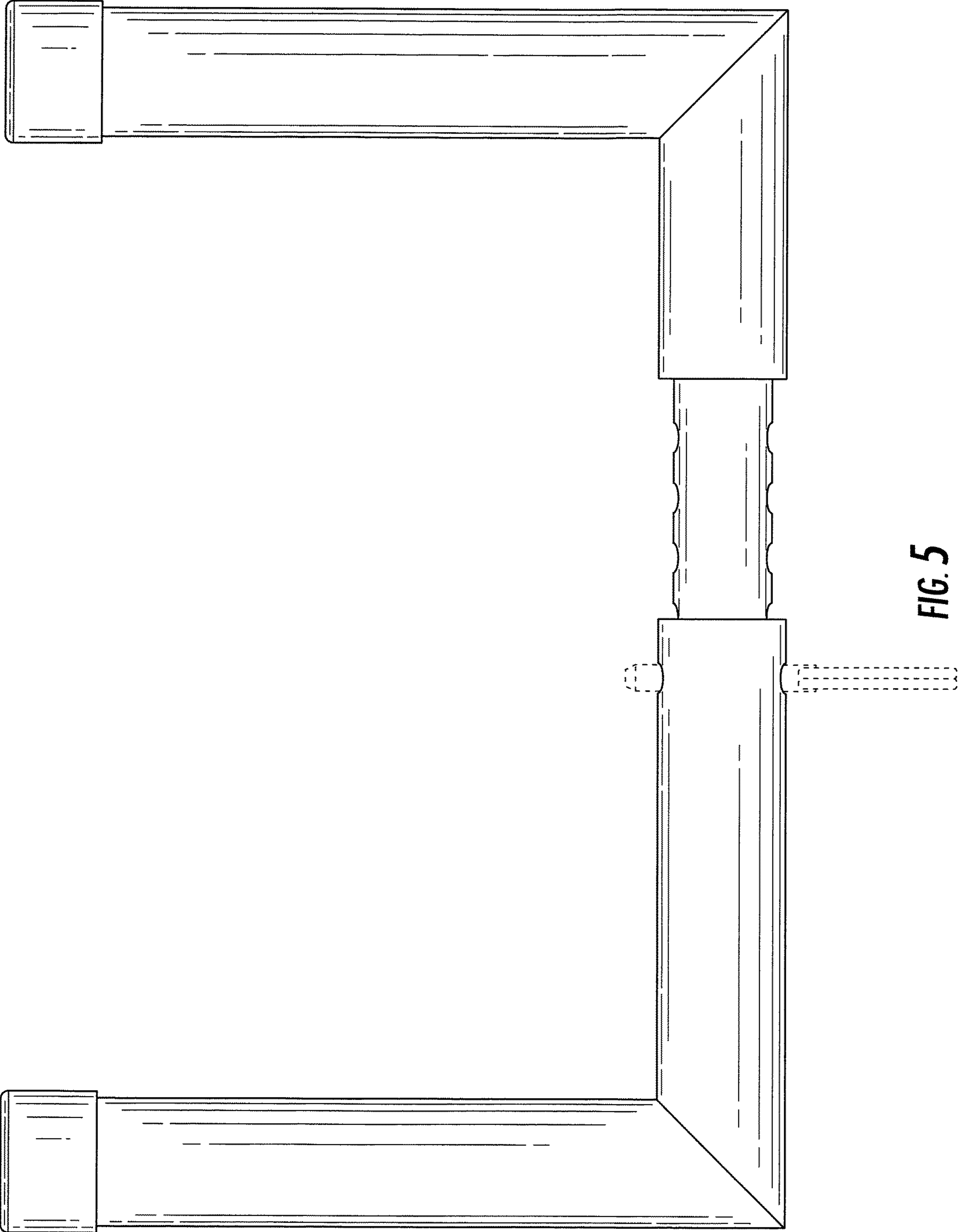
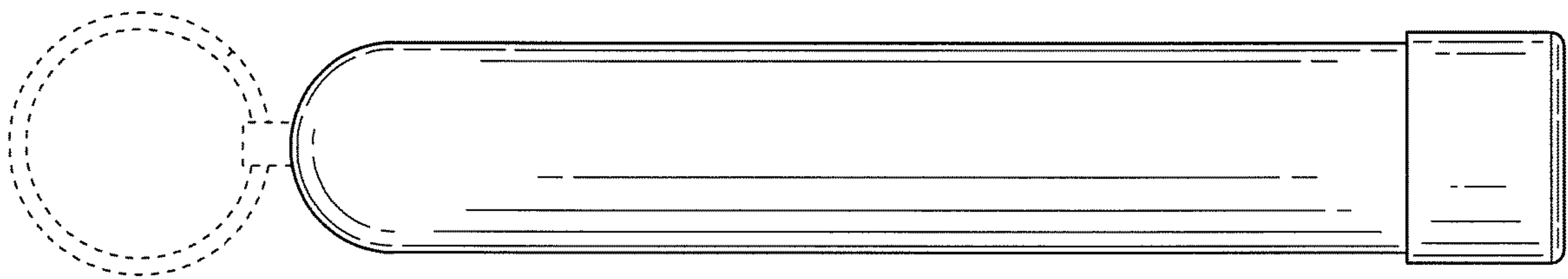


FIG. 5



**FIG. 6**