



US00D898560S

(12) **United States Design Patent**
Pizanias et al.

(10) **Patent No.:** **US D898,560 S**

(45) **Date of Patent:** **** Oct. 13, 2020**

(54) **LOCK DOWN DOOR BAR**

(71) Applicants: **Charlie Pizanias**, Campbell, OH (US);
Raymond N. DeLuco, Hubbard, OH
(US); **Gus Lyras**, Campbell, OH (US)

(72) Inventors: **Charlie Pizanias**, Campbell, OH (US);
Raymond N. DeLuco, Hubbard, OH
(US); **Gus Lyras**, Campbell, OH (US)

(**) Term: **15 Years**

(21) Appl. No.: **29/656,410**

(22) Filed: **Jul. 12, 2018**

(51) **LOC (12) Cl.** **08-09**

(52) **U.S. Cl.**
USPC **D8/402**

(58) **Field of Classification Search**
USPC D8/330, 331, 226, 339, 343, 342, 349,
D8/402, 499
CPC E05C 17/443; E05C 19/18; E05C 19/188;
F16B 7/10; B60R 25/08
See application file for complete search history.

(56) **References Cited**

U.S. PATENT DOCUMENTS

D183,468 S * 9/1958 Turner D32/66
D338,394 S * 8/1993 Lancaster D8/402

5,282,658 A * 2/1994 Reeves, Jr. E05C 17/443
292/338
6,474,707 B1 * 11/2002 Simonis E05B 65/0888
292/259 R
D533,447 S * 12/2006 Irie D8/402
D540,150 S * 4/2007 Wilson D8/339
D546,516 S * 7/2007 Henderson D32/66
D837,644 S * 1/2019 Schleimer D8/402

* cited by examiner

Primary Examiner — John Windmuller

(74) *Attorney, Agent, or Firm* — Harpman & Harpman

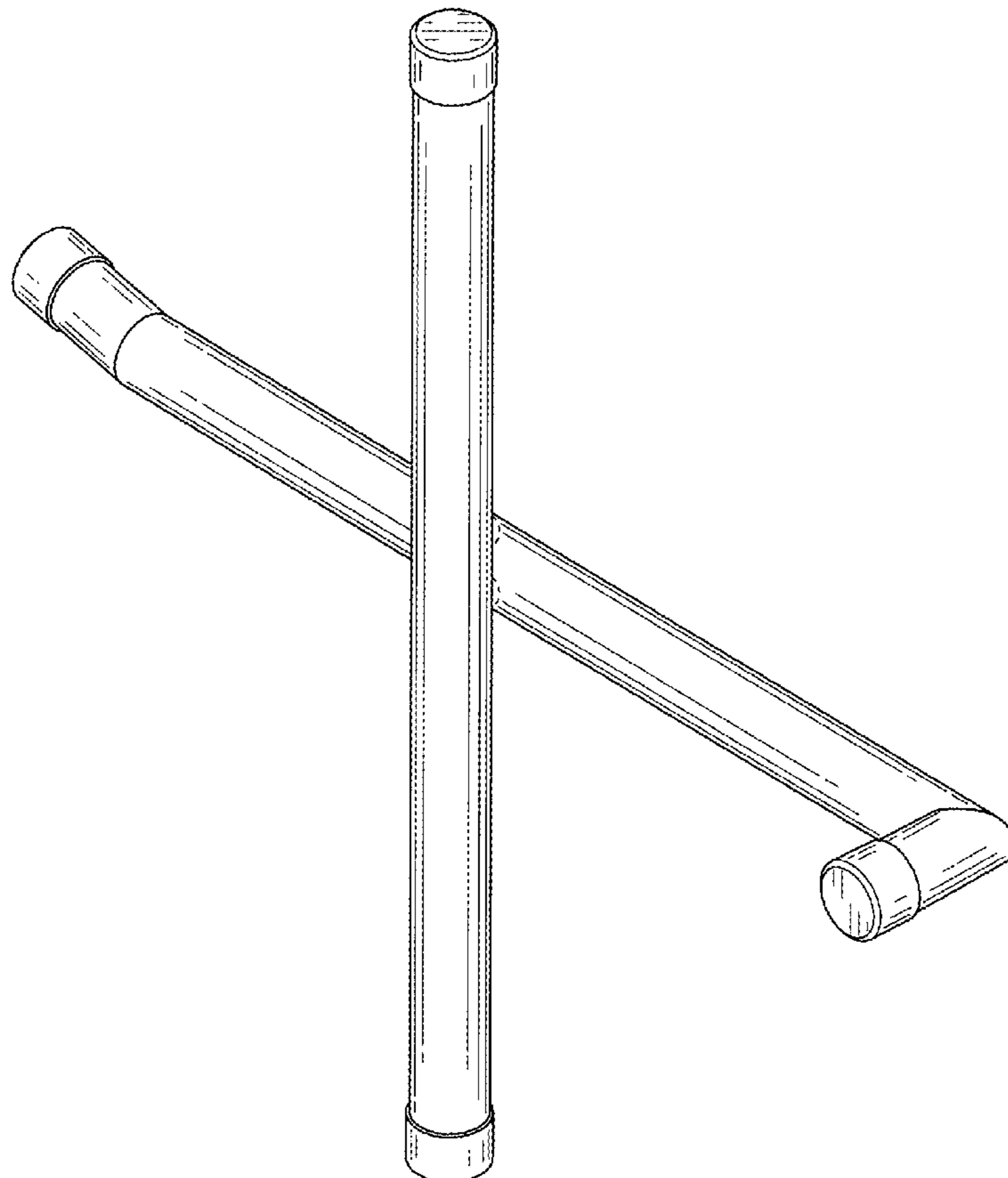
(57) **CLAIM**

The ornamental design for a lock down door bar, as shown and described.

DESCRIPTION

FIG. 1 is a front and top perspective view of a lock down door bar showing our new design.
FIG. 2 is a top plan view thereof.
FIG. 3 is a bottom plan view thereof.
FIG. 4 is a front elevational view thereof.
FIG. 5 is a rear elevational view thereof.
FIG. 6 is a left side elevational view thereof; and,
FIG. 7 is a right side elevational view thereof.

1 Claim, 5 Drawing Sheets



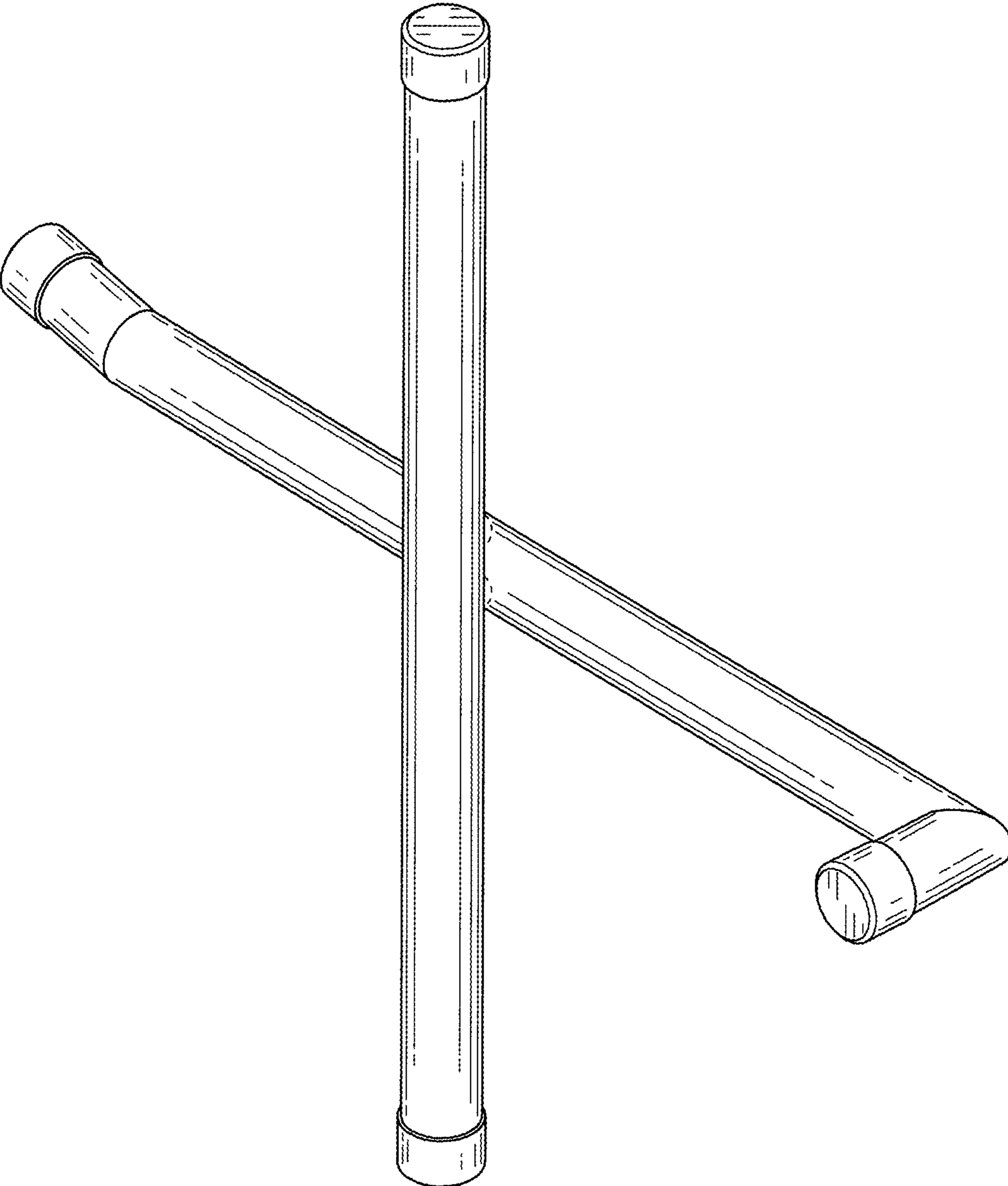


FIG. 1

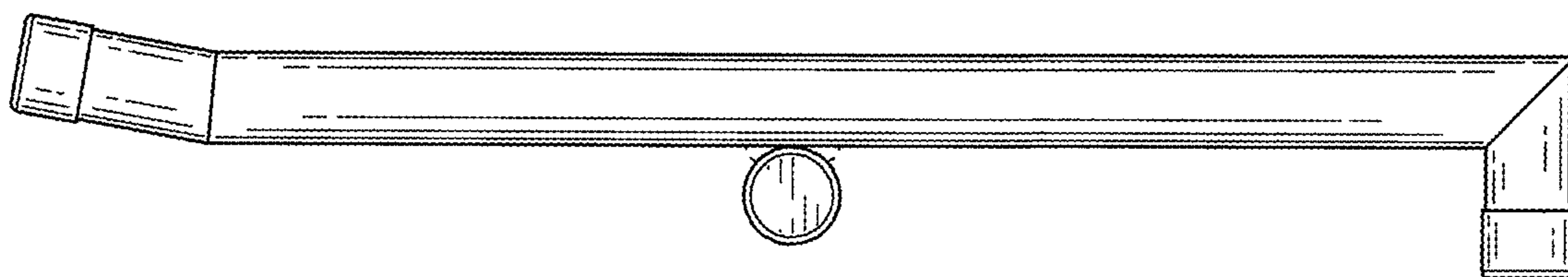


FIG. 2

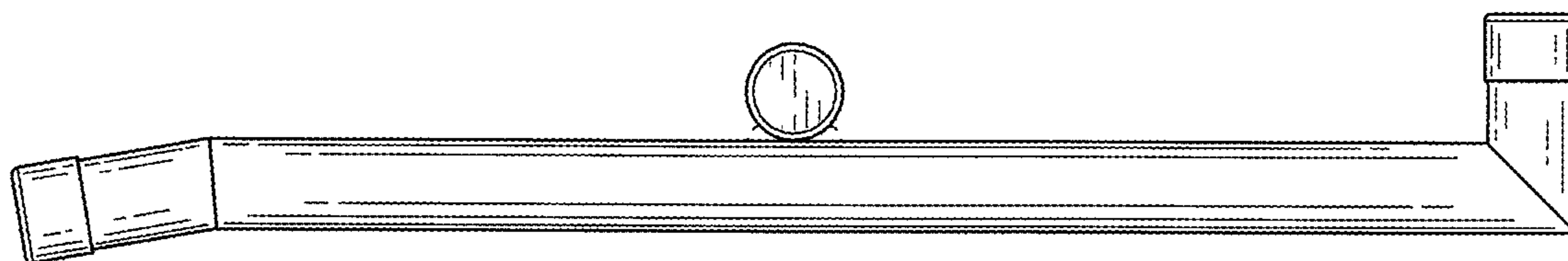


FIG. 3

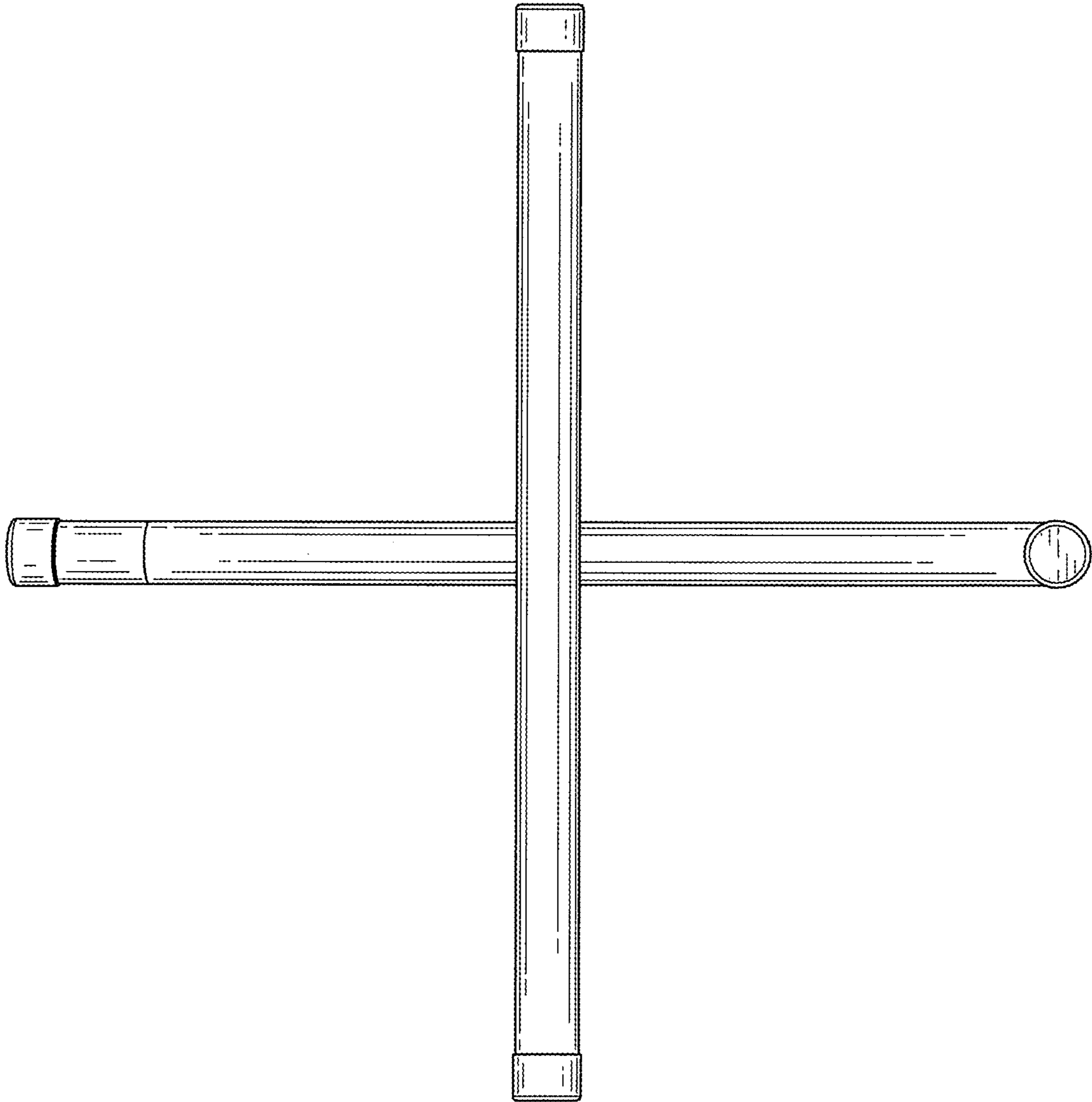


FIG. 4

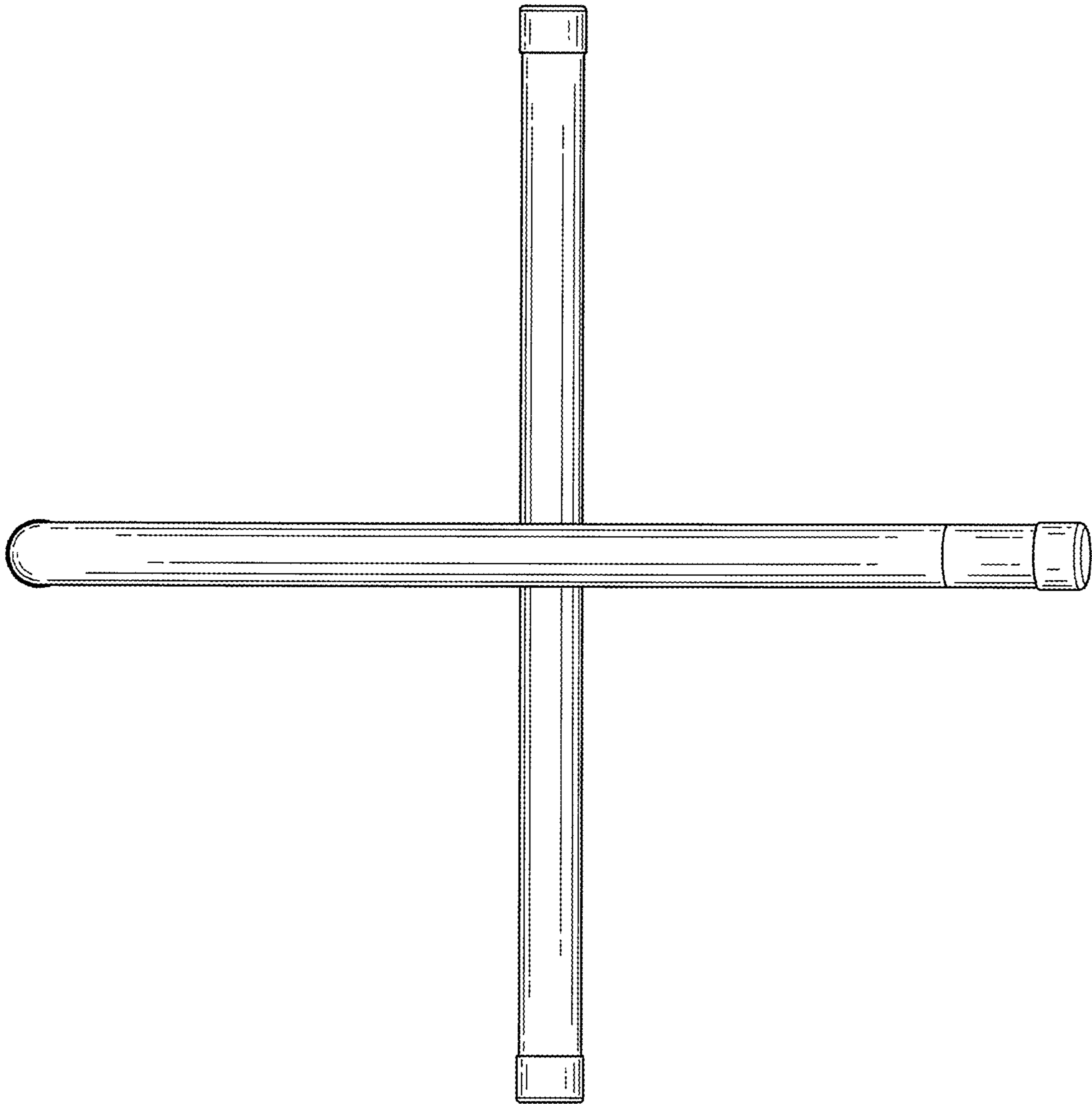


FIG. 5

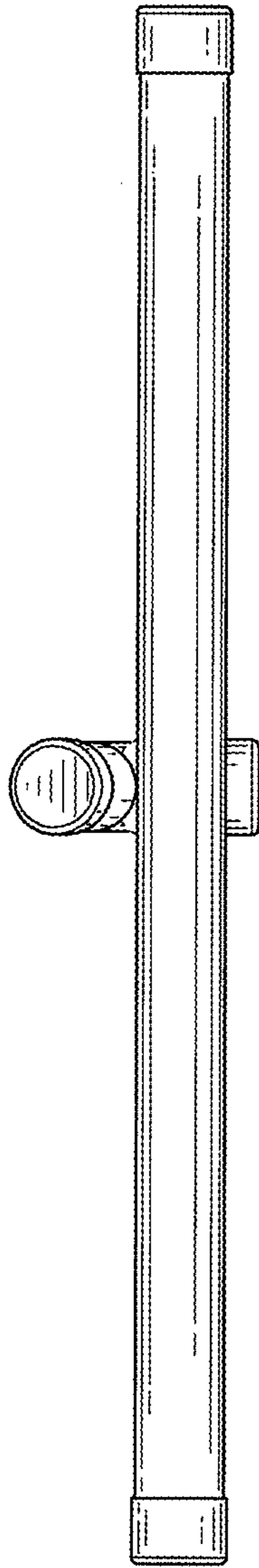


FIG. 6

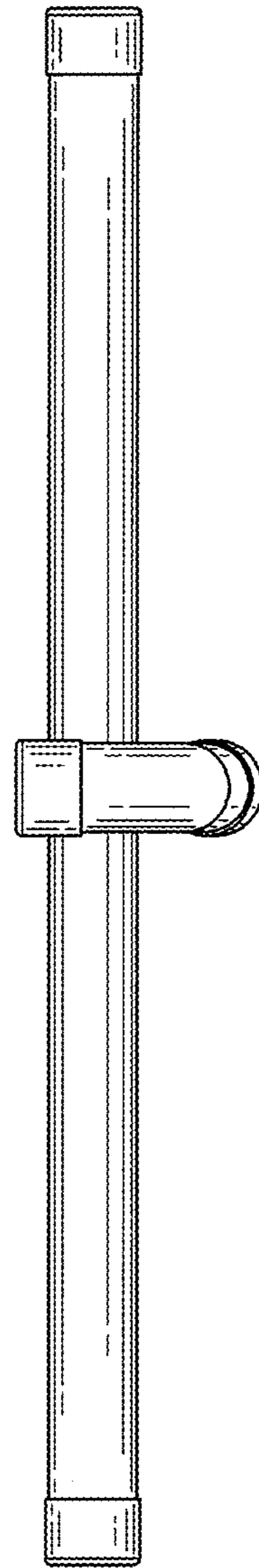


FIG. 7