



US00D898558S

(12) **United States Design Patent** (10) **Patent No.:** **US D898,558 S**  
**Dissing** (45) **Date of Patent:** **\*\* Oct. 13, 2020**

(54) **SCREW HEAD**

(71) Applicant: **Dissing A/S**, Skanderborg (DK)  
(72) Inventor: **Claus Hornstrup Dissing**, Ry (DK)  
(\*\*) Term: **15 Years**  
(21) Appl. No.: **35/507,644**  
(22) Filed: **May 16, 2019**

(80) **Hague Agreement Data**

Int. Filing Date: **May 16, 2019**  
Int. Reg. No.: **DM/203575**  
Int. Reg. Date: **May 16, 2019**  
Int. Reg. Pub. Date: **Nov. 1, 2019**

(51) **LOC (12) Cl.** ..... **08-08**

(52) **U.S. Cl.**  
USPC ..... **D8/387**

(58) **Field of Classification Search**

USPC ..... D8/382, 385, 387, 388, 391, 393  
CPC ..... F16B 23/003; F16B 23/0038;  
F16B 23/0046; F16B 25/0036; F16B  
25/0052; F16B 25/0057; F16B 25/0063;  
F16B 25/0068; F16B 25/0078; F16B  
25/0084

See application file for complete search history.

(56) **References Cited**

**U.S. PATENT DOCUMENTS**

D829,088 S \* 9/2018 Campbell, II ..... D8/387  
D840,796 S \* 2/2019 Hsiao ..... D8/387  
D853,830 S \* 7/2019 Wang ..... D8/387  
D888,545 S \* 6/2020 Dissing ..... D8/387

**OTHER PUBLICATIONS**

Two screenshots: Cement Board Screw—#10 x1<sup>5</sup>/<sub>8</sub>"—Flat Square Head—Pkg of 150—ITW Backer-On® 23410. Undated; one page. Found online Jul. 23, 2020 at <https://www.globalindustrial.com/> . . . (see paper copy for full url) (Year: 2020).\*

\* cited by examiner

*Primary Examiner* — Robert M. Spear

(57) **CLAIM**

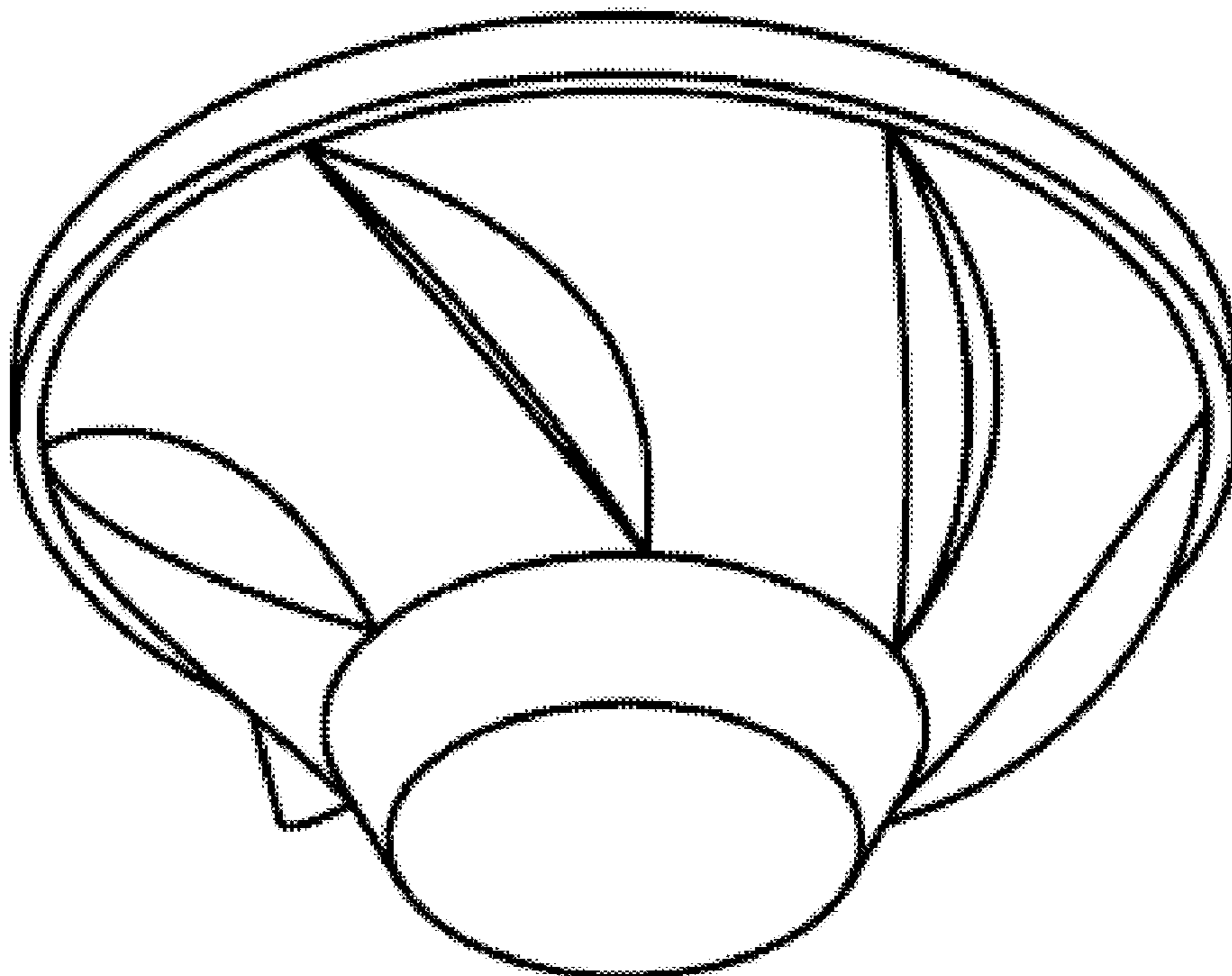
The ornamental design for a screw head, as shown and described.

**DESCRIPTION**

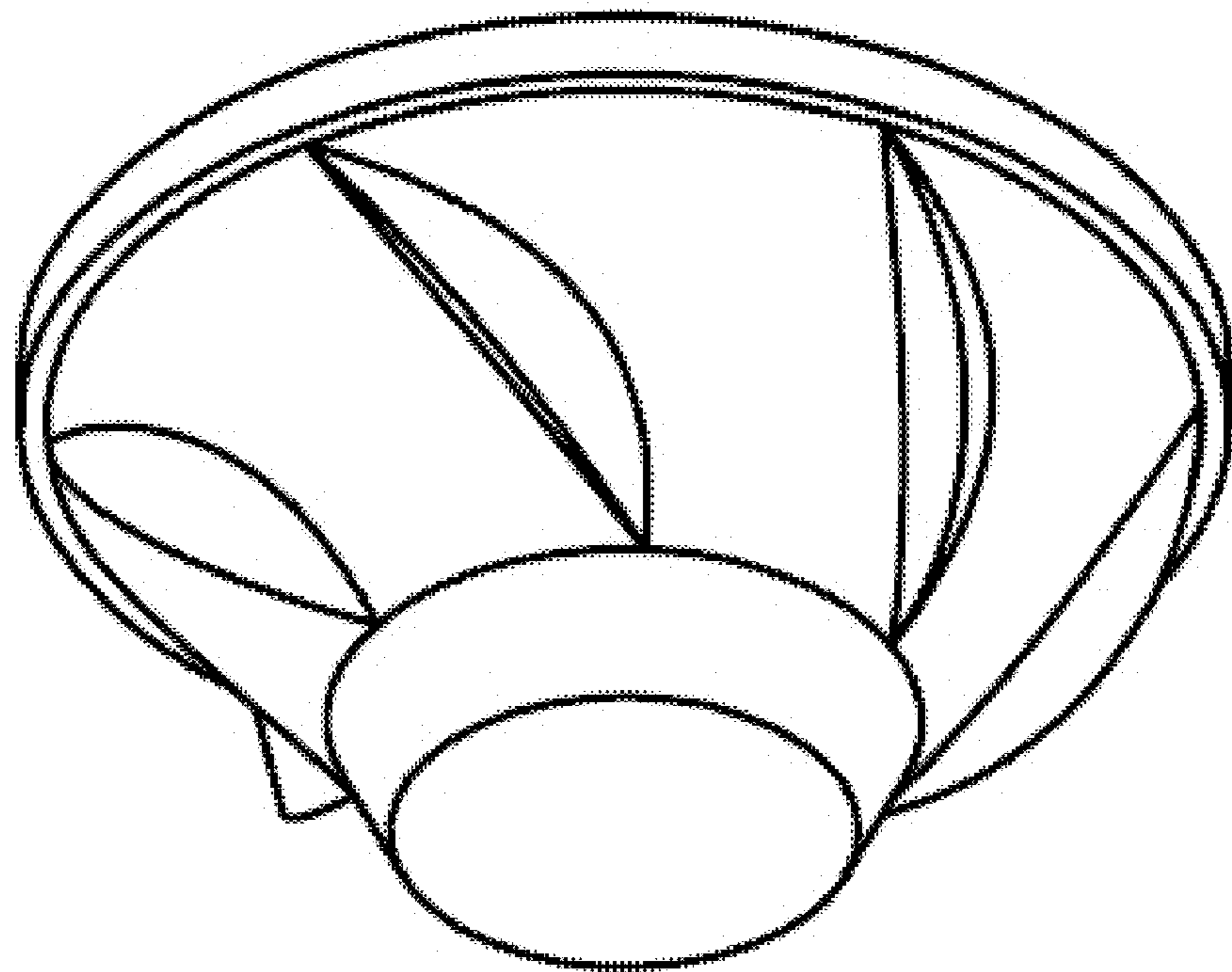
- 1. Screw head
- 1.1 : Perspective
- 1.2 : Side view
- 1.3 : Side view
- 1.4 : Bottom
- 1.5 : Top
- 1.6 : Perspective

Fig. 1.1 is a perspective view of the screw head; fig. 1.2 is a side view of the screw head; fig. 1.3 is a side view of the screw head; fig. 1.4 is a bottom view of the screw head; fig. 1.5 is a top view of the screw head; fig. 1.6 is a perspective view of the screw head; the dotted lines form no part of the claimed design.

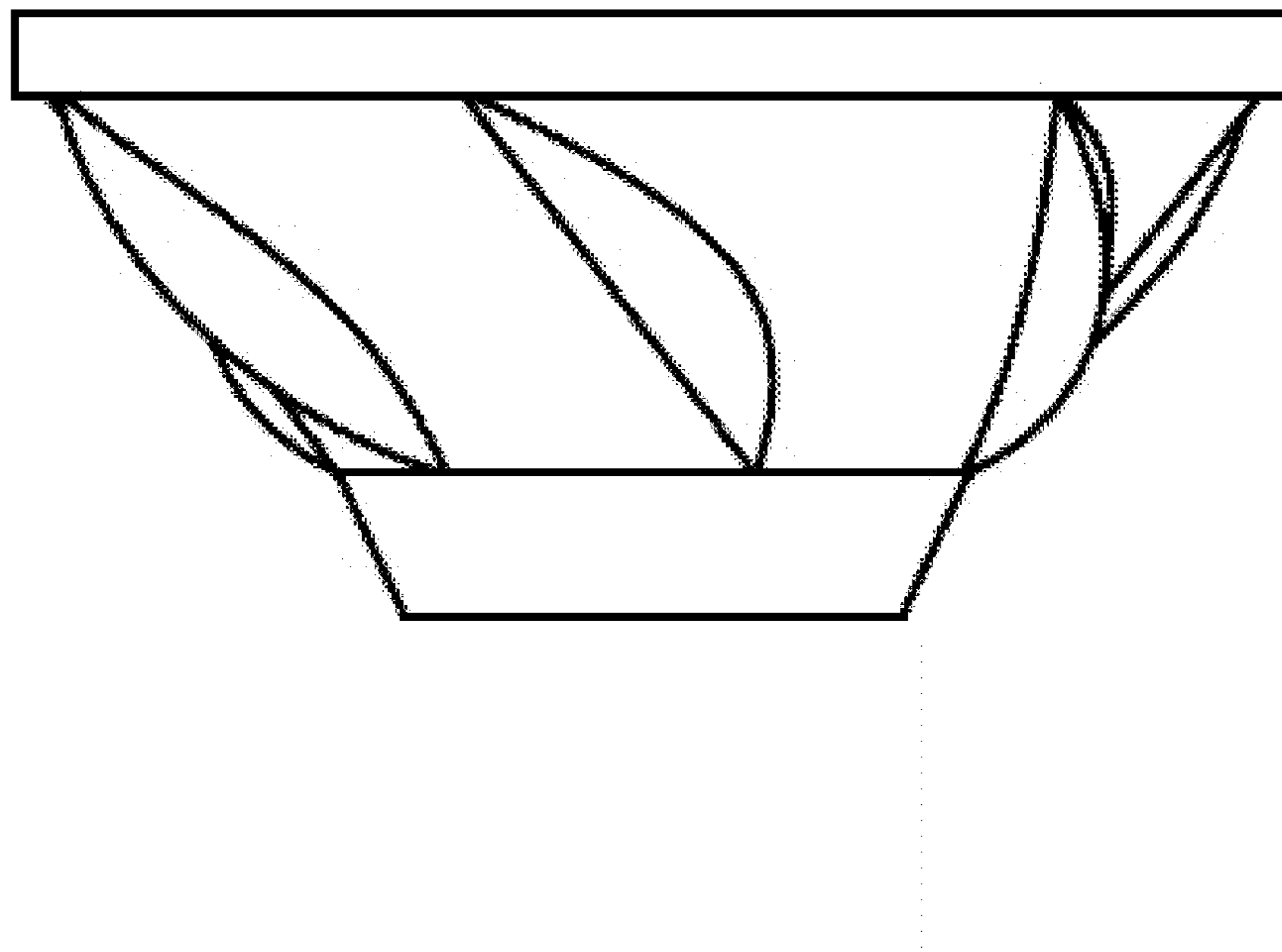
**1 Claim, 6 Drawing Sheets**



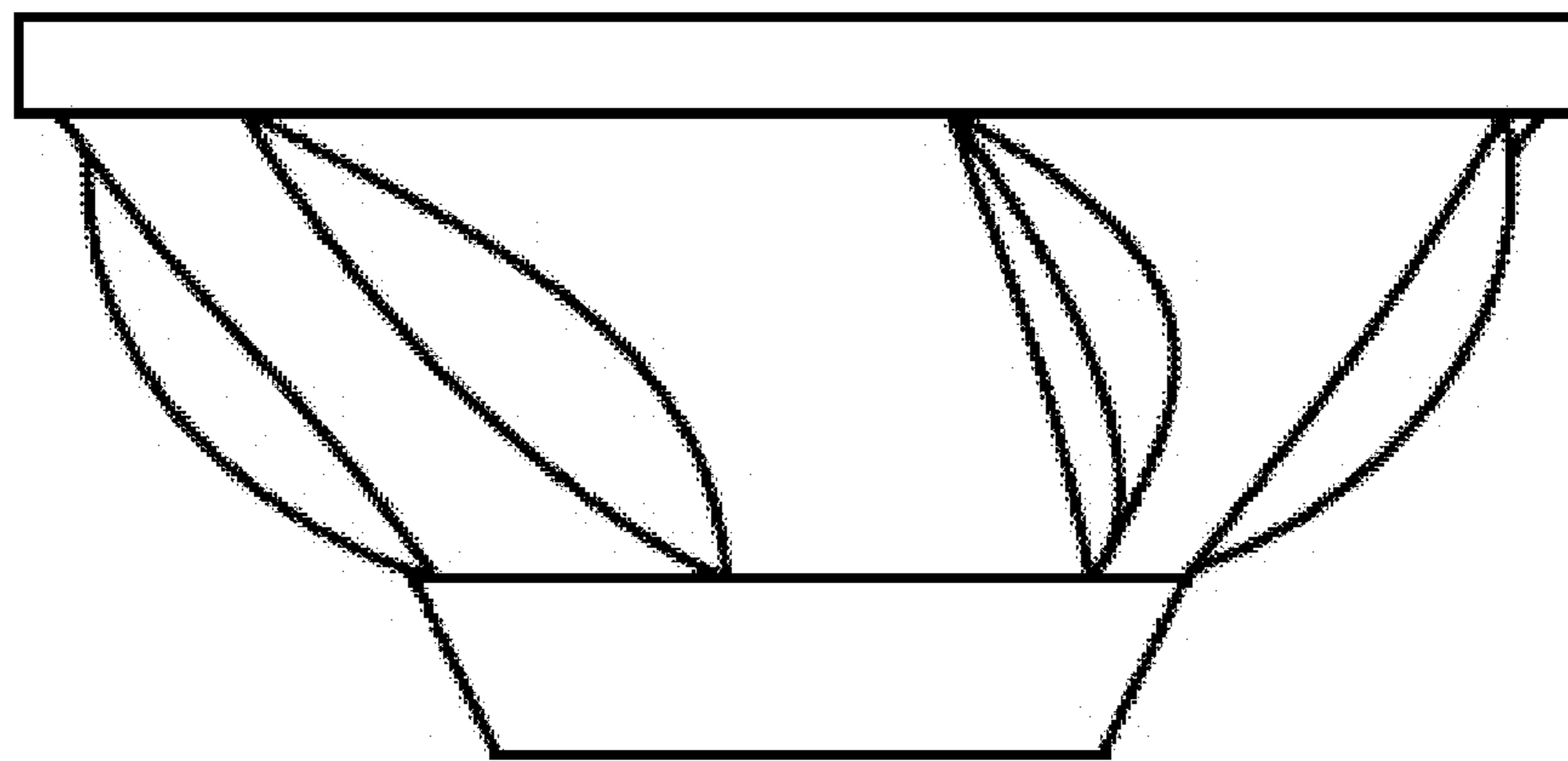
**1.1**



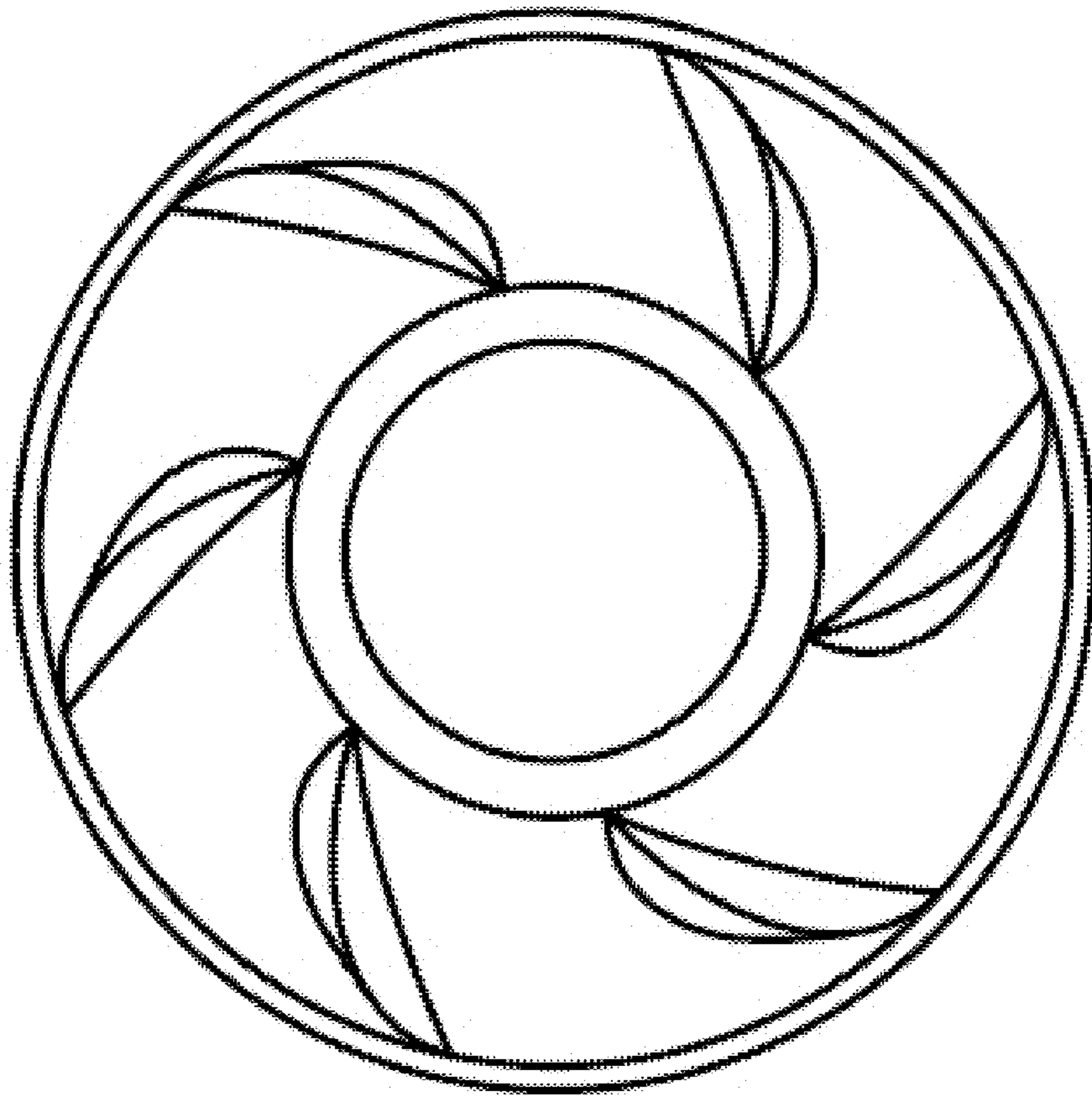
**1.2**



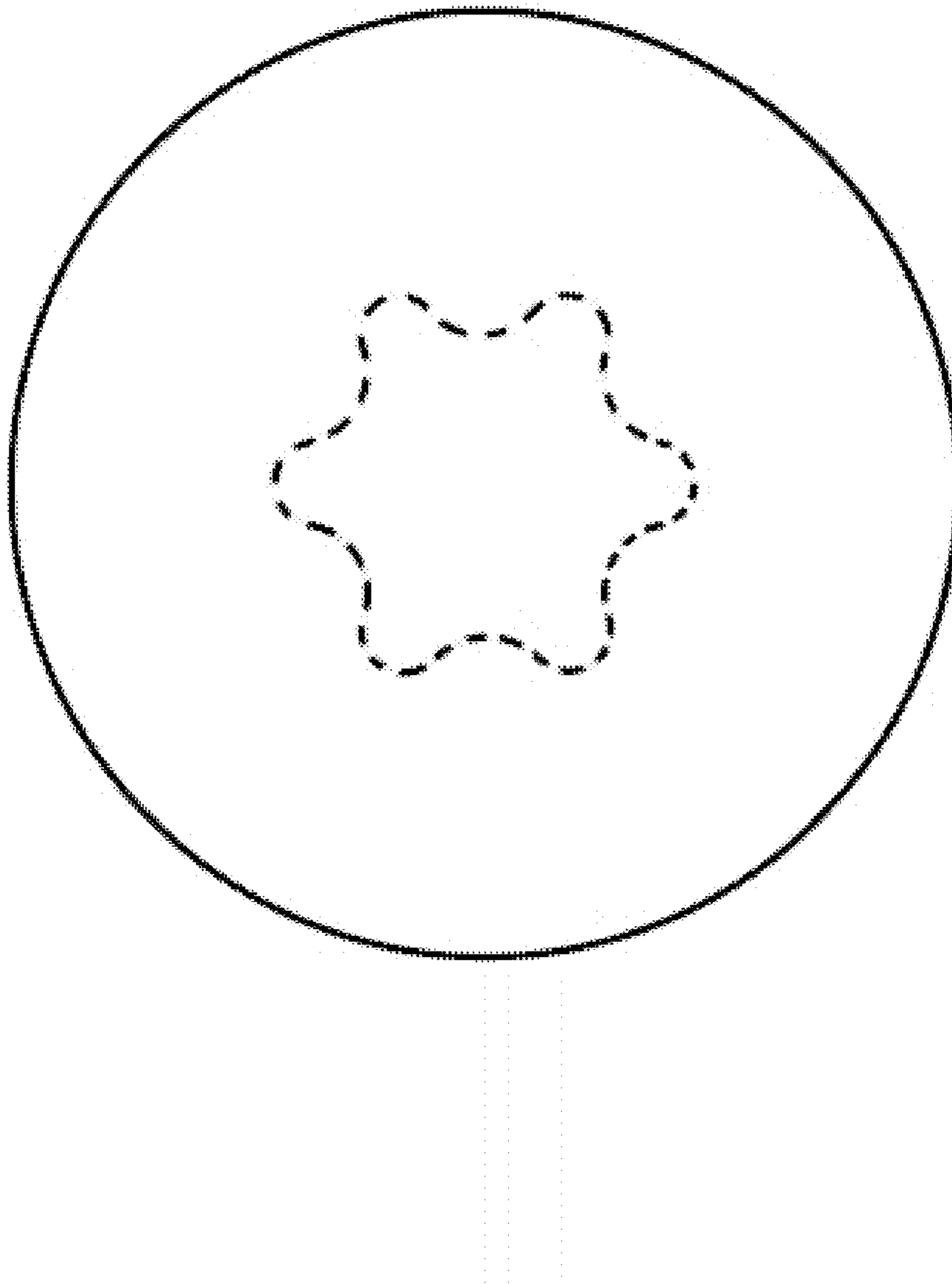
**1.3**



**1.4**



**1.5**





**1.6**

