



US00D898556S

(12) **United States Design Patent** (10) **Patent No.:** **US D898,556 S**
Winekoff et al. (45) **Date of Patent:** **** Oct. 13, 2020**

(54) **TWIST FASTENER**
(71) Applicant: **PetSmart Home Office, Inc.**, Phoenix, AZ (US)
(72) Inventors: **Kirby Winekoff**, Phoenix, AZ (US); **Bin Cai**, Taizhou (CN)
(73) Assignee: **PetSmart Home Office, Inc.**, Phoenix, AZ (US)
(**) Term: **15 Years**
(21) Appl. No.: **29/613,485**
(22) Filed: **Aug. 10, 2017**
(51) **LOC (12) Cl.** **08-08**
(52) **U.S. Cl.**
USPC **D8/382**; D8/349
(58) **Field of Classification Search**
USPC D6/672, 684, 680, 683.1, 703.5; D8/354, D8/355, 330, 331, 333, 380, 382
CPC F16B 5/00; F16B 5/02; F16B 12/50
See application file for complete search history.

(56) **References Cited**

U.S. PATENT DOCUMENTS

D247,801 S 5/1978 Bulanda et al.
D269,590 S 7/1983 Jansso
4,762,437 A 8/1988 Mitomi
D299,239 S * 1/1989 Henningsen D15/28
D299,240 S * 1/1989 Henningsen D15/28
D358,544 S * 5/1995 Esworthy D12/49
D409,895 S * 5/1999 Schron, Jr. D8/349
D423,909 S * 5/2000 Hartin D8/349
6,237,970 B1 5/2001 Joannou
6,474,921 B1 * 11/2002 Gordon F16B 1/0071
411/45
7,179,013 B2 * 2/2007 Benedetti F16B 5/123
24/292
7,303,800 B2 12/2007 Rogers

D603,249 S * 11/2009 Richter D8/380
D604,143 S * 11/2009 Shnayder D8/349
D628,539 S * 12/2010 Tezak D13/152
D631,728 S * 2/2011 Rainey D8/349
D664,027 S 7/2012 Vosika et al.
8,221,041 B2 * 7/2012 Hauser F16B 21/082
411/349
D679,170 S 4/2013 Else
D729,041 S 5/2015 Smith
D730,718 S * 6/2015 Lin D8/349
D752,952 S 4/2016 Barz
D840,787 S * 2/2019 Pine D8/349
D847,607 S * 5/2019 Granberg D8/349
D884,778 S * 5/2020 Birkemeier D16/245
D887,817 S * 6/2020 Belt D8/349
D891,232 S * 7/2020 Zhang D8/354
2012/0073089 A1 3/2012 Buillas
2012/0124792 A1 5/2012 Ooki
2014/0319854 A1 10/2014 Lee

* cited by examiner

Primary Examiner — Mark A Goodwin

Assistant Examiner — Benjamin M Weeks

(74) *Attorney, Agent, or Firm* — Duane Morris LLP

(57) **CLAIM**

We claim the ornamental design for a twist fastener, as shown and described.

DESCRIPTION

FIG. 1 is a front isometric view of a twist fastener showing our new design

FIG. 2 is a front elevational view thereof.

FIG. 3 is rear elevational view thereof.

FIG. 4 is left elevational view thereof.

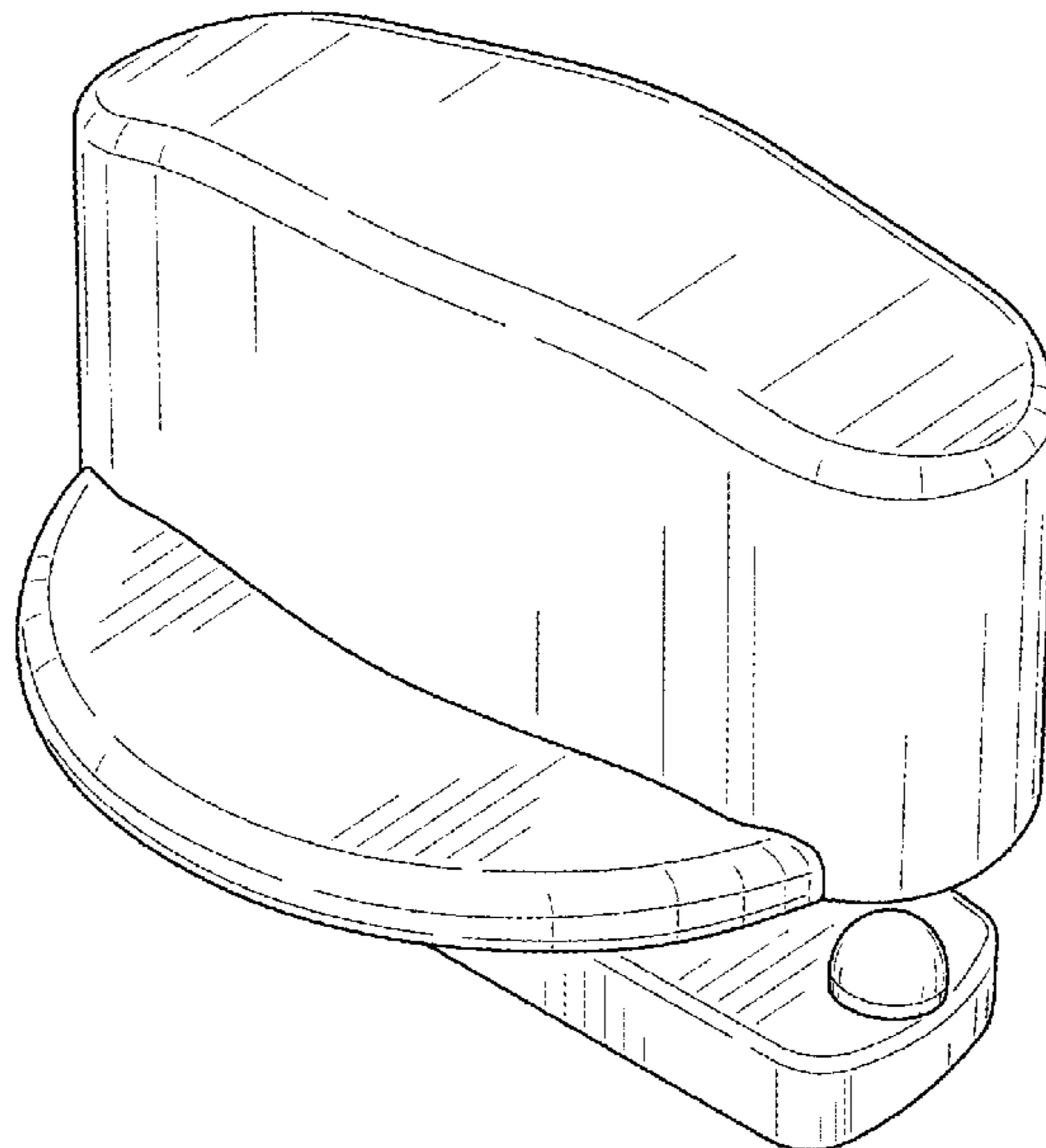
FIG. 5 is right elevational view thereof.

FIG. 6 is a top plan view thereof; and,

FIG. 7 a bottom plan view thereof.

The surface shading in FIGS. 1-7 shows contour of the three-dimensional aspects of the design.

1 Claim, 4 Drawing Sheets



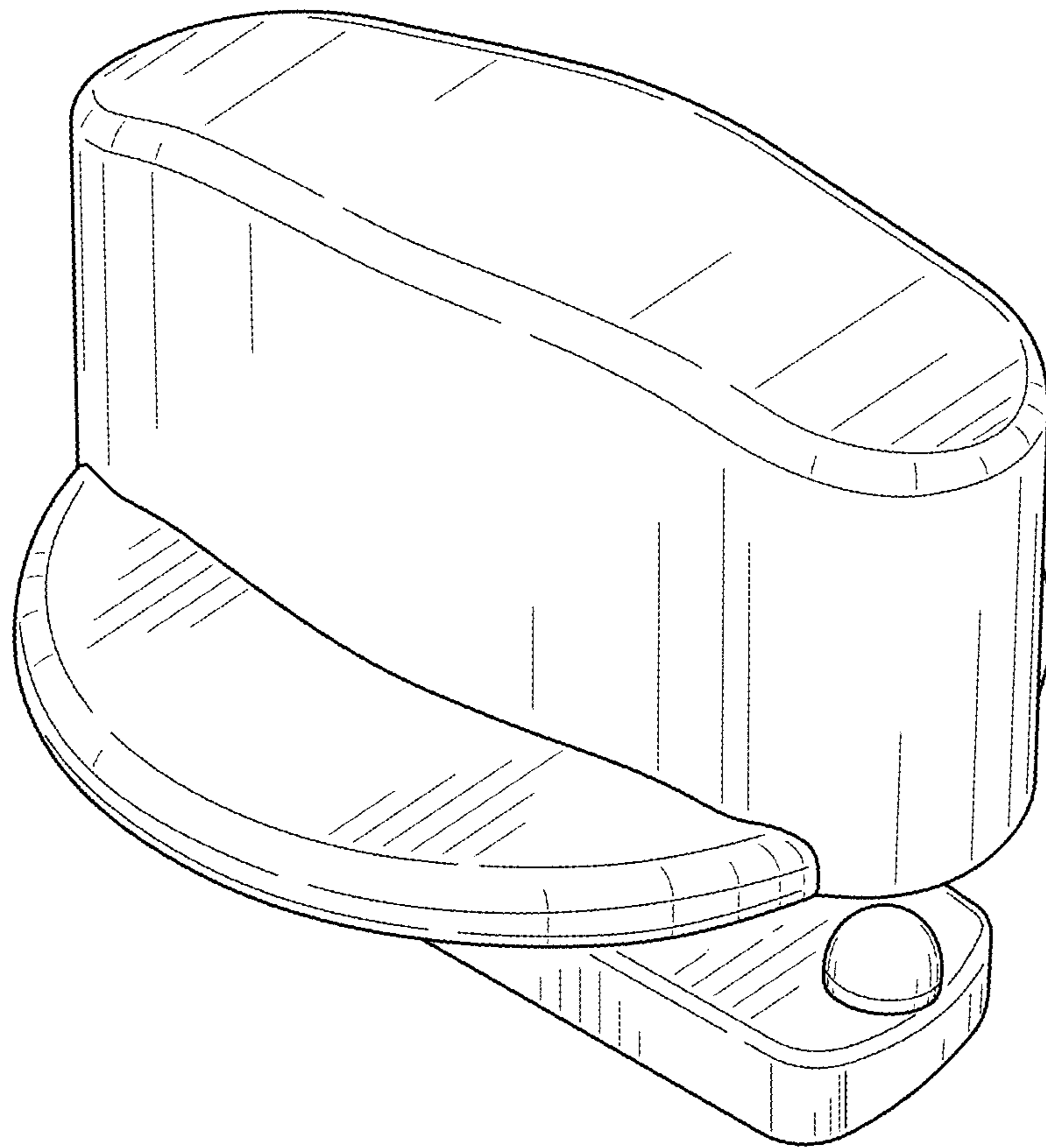


FIG. 1

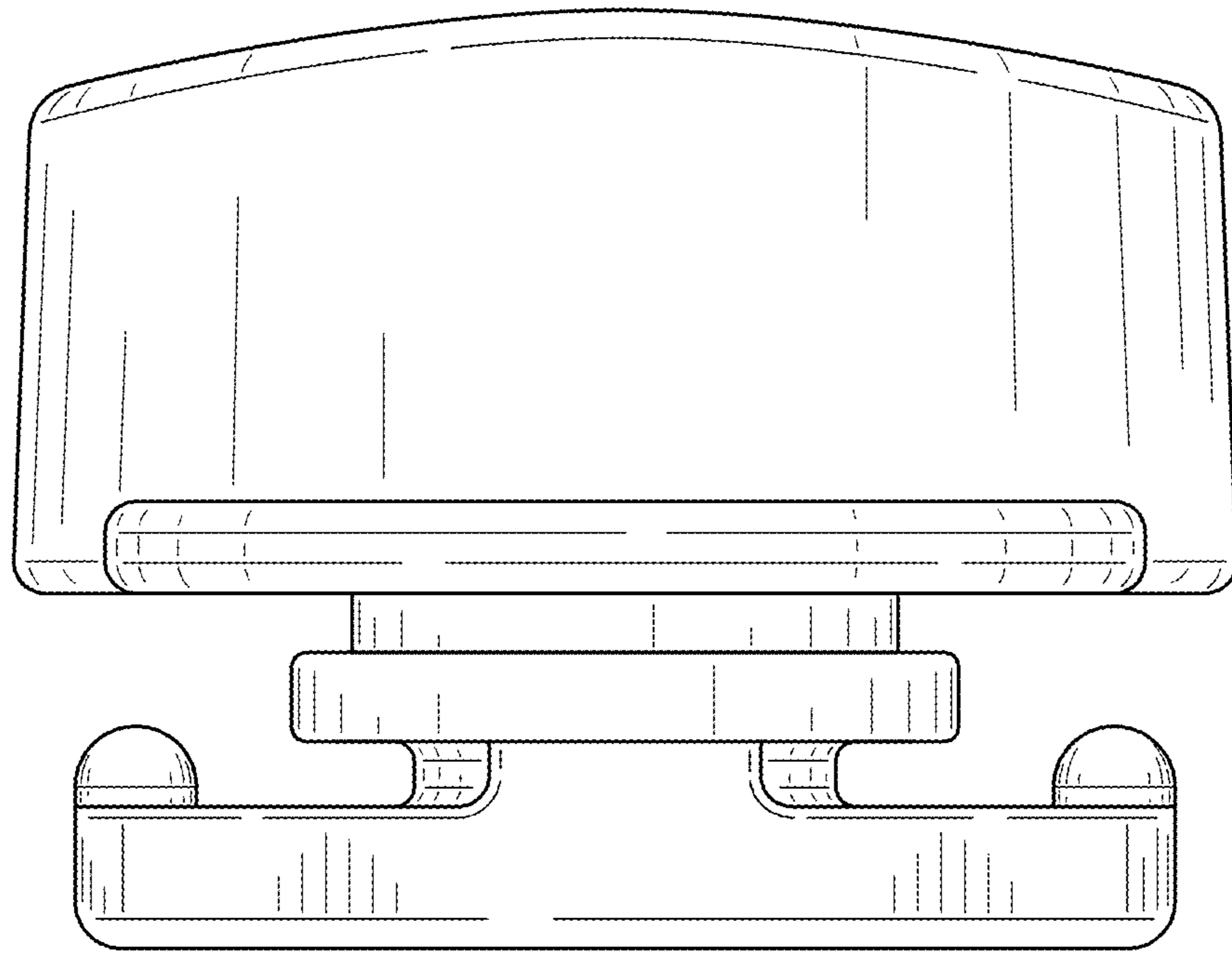


FIG. 2

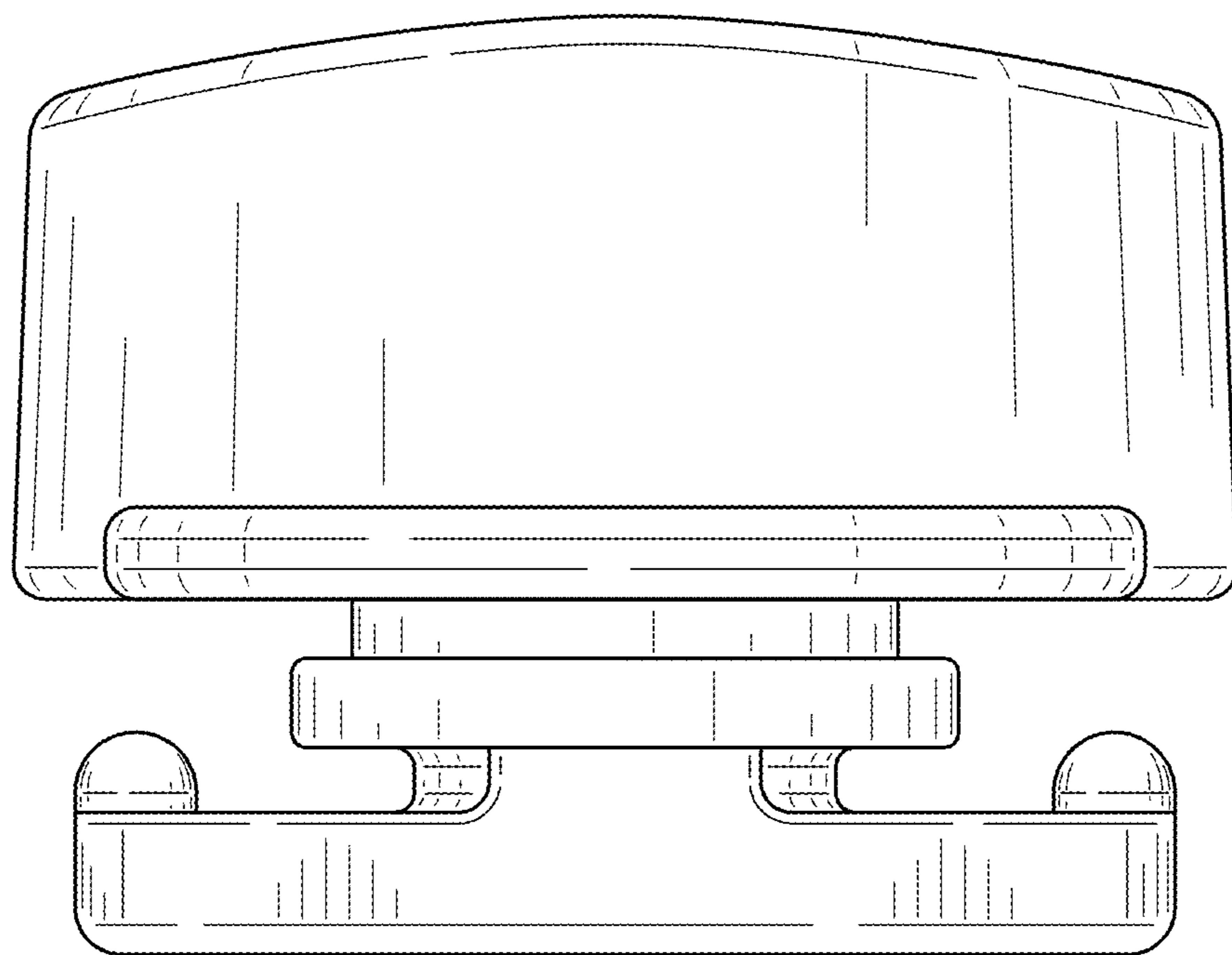


FIG. 3

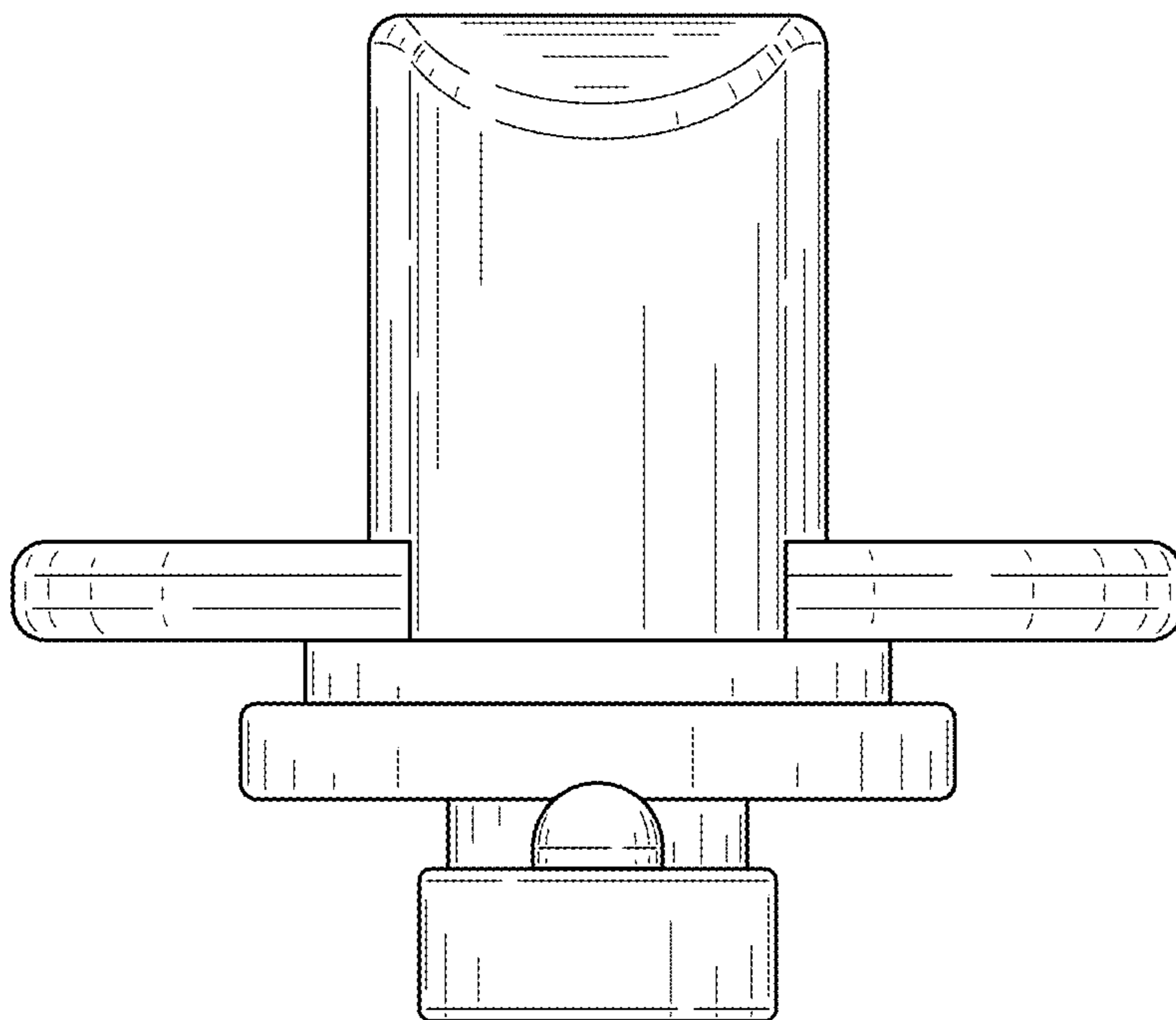


FIG. 4

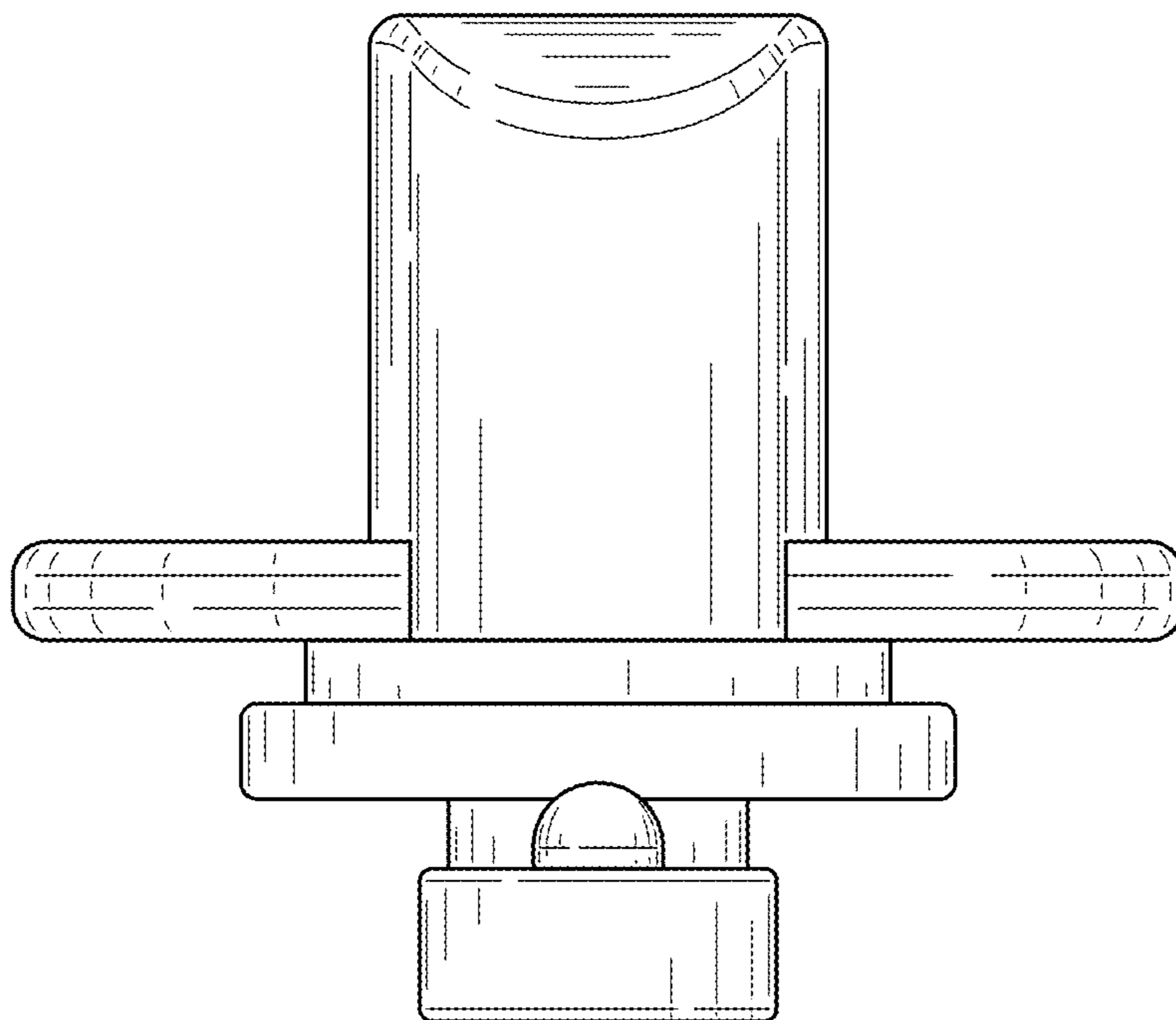


FIG. 5

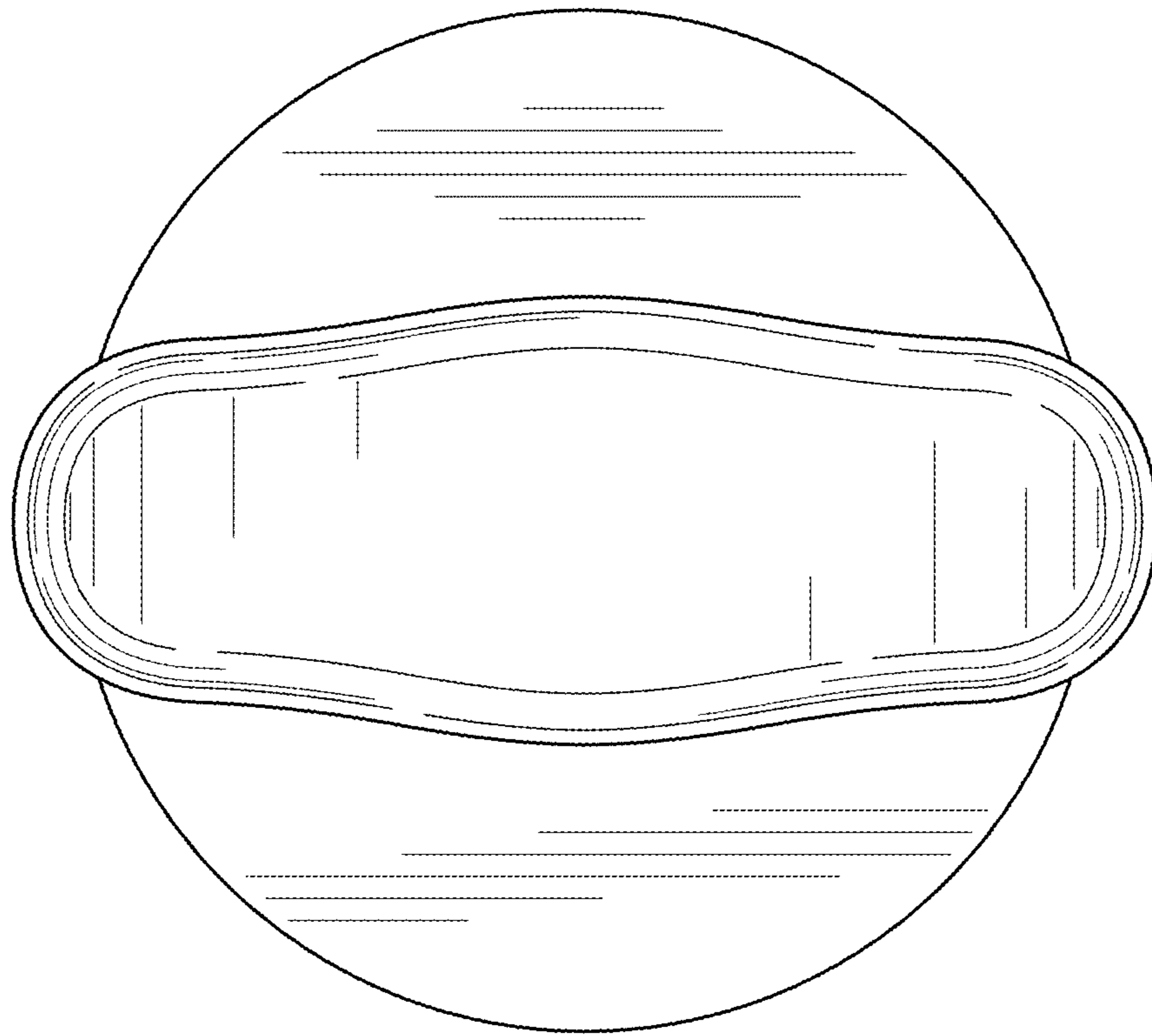


FIG. 6

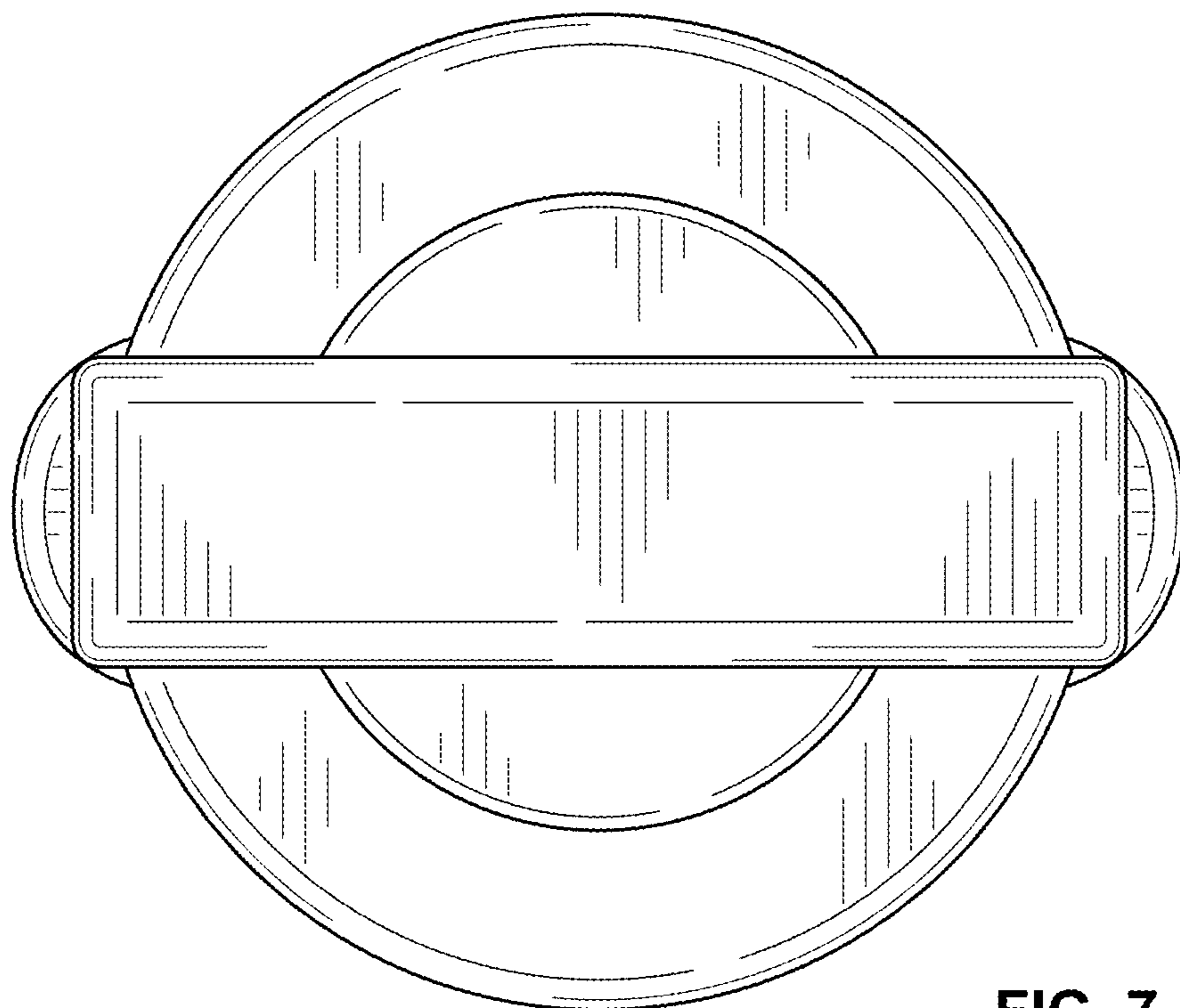


FIG. 7