



US00D898555S

(12) **United States Design Patent** (10) **Patent No.:** **US D898,555 S**  
**LaPoint** (45) **Date of Patent:** **\*\* Oct. 13, 2020**

(54) **BATHROOM HOLDER**

FOREIGN PATENT DOCUMENTS

(71) Applicant: **Jean LaPoint**, Lowell, MA (US)

CN 208510902 U 2/1919

(72) Inventor: **Jean LaPoint**, Lowell, MA (US)

DE 10206519 8/2003

WO 2003099059 12/2003

(\*\*) Term: **15 Years**

OTHER PUBLICATIONS

(21) Appl. No.: **29/687,425**

Voss Wall Mounted Hair Dryer Holder in Chrome, <https://www.homedepot.com/p/MOEN-Voss-Wall-Mounted-Hair-Dryer-Holder-in-Chrome-YB5170CH/203623682>.

(22) Filed: **Apr. 12, 2019**

(Continued)

(51) **LOC (12) Cl.** ..... **08-05**

(52) **U.S. Cl.**  
USPC ..... **D8/355; D23/304**

(58) **Field of Classification Search**  
USPC ..... D8/315, 316, 355, 349, 354, 311;  
D23/303, 304

CPC ..... A47K 3/40; E03C 1/04; C02F 1/42

See application file for complete search history.

*Primary Examiner* — Keli L Hill

*Assistant Examiner* — Harold E Blackwell, II

(74) *Attorney, Agent, or Firm* — Lambert Shortell & Connaughton; Gary E. Lambert; David J. Connaughton, Jr.

(56) **References Cited**

(57) **CLAIM**

U.S. PATENT DOCUMENTS

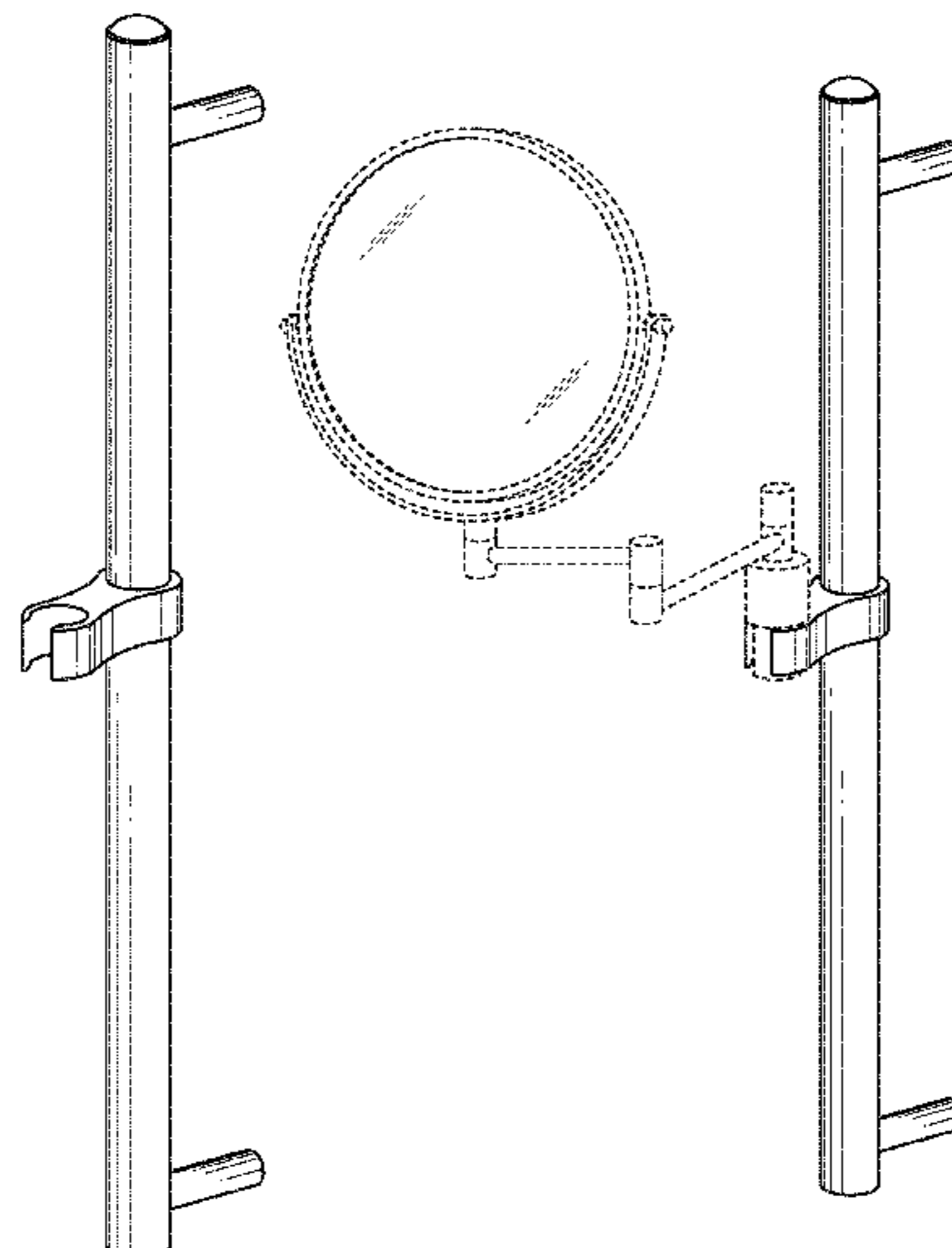
The ornamental design for the bathroom holder, as shown and described.

- 2,048,612 A 7/1936 Maguire
- 2,470,694 A 5/1949 Sing
- 3,229,940 A 1/1966 Kagels
- D240,178 S \* 6/1976 Johansen ..... D6/524
- 4,094,076 A 6/1978 Baslow
- 4,225,106 A 9/1980 Eplan
- 4,292,748 A 10/1981 Miller
- 4,311,407 A 1/1982 Doyle
- 4,453,695 A 6/1984 Sennott
- 4,673,148 A 6/1987 Oliver
- 4,712,313 A 12/1987 Gettleman
- 5,174,531 A 12/1992 Perakis
- 5,220,697 A \* 6/1993 Birchfield ..... A47K 3/281  
4/559
- D339,492 S \* 9/1993 Klose ..... D23/304
- 5,350,144 A 9/1994 Lary
- 5,470,037 A 11/1995 Willis
- 5,630,517 A 5/1997 Maznik
- D385,333 S \* 10/1997 Caroen ..... D23/228
- D391,629 S \* 3/1998 Gottwald ..... D23/304
- 5,761,825 A 6/1998 Ammon
- 5,832,624 A 11/1998 Narrin
- 5,842,670 A 12/1998 Nigoghosian

**DESCRIPTION**

FIG. 1 is a perspective front view of the bathroom holder, which embodies my design;  
 FIG. 2 is a left side view thereof;  
 FIG. 3 is a right side view thereof;  
 FIG. 4 is a front view thereof;  
 FIG. 5 is a rear view thereof;  
 FIG. 6 is a bottom view thereof;  
 FIG. 7 is a top view thereof;  
 FIG. 8 is a perspective view thereof;  
 FIG. 9 is another perspective view thereof; and,  
 FIG. 10 is another perspective view thereof.  
 Broken lines are used herein to show the environment in which the design is associated, and form no part of the claimed design.

**1 Claim, 7 Drawing Sheets**



(56)

References Cited

U.S. PATENT DOCUMENTS

5,937,537	A	8/1999	Miller	
5,956,861	A	9/1999	Barnes	
6,044,574	A	4/2000	Haghkhah	
D428,124	S *	7/2000	Starck .....	D23/304
D433,589	S *	11/2000	Haug .....	D6/524
6,189,229	B1	2/2001	Thomas	
D443,685	S *	6/2001	Gottwald .....	D23/304
D456,657	S	5/2002	Mar	
6,390,424	B1	5/2002	Kidushim	
6,422,484	B1 *	7/2002	Sasaki .....	A47K 3/40 239/310
D477,863	S *	7/2003	Singtoroj .....	D23/304
6,601,813	B1	8/2003	Kager	
6,736,364	B2	5/2004	Oddsens, Jr.	
6,802,484	B1	10/2004	Kiley	
6,997,421	B2	2/2006	Reynolds	
D586,898	S *	2/2009	Lammel .....	D23/304
7,506,849	B1	3/2009	Koster	
7,748,583	B1	7/2010	Woltman	
9,408,452	B1	8/2016	Al-Khulaifi	
10,117,492	B2	11/2018	Karbakhsh	
2014/0112791	A1	4/2014	Abell	
2015/0083886	A1	3/2015	Brown	

OTHER PUBLICATIONS

360° Adjustable Hands Free Hair Dryer Wall Bathroom Mount Stand Holder With Suction Cup, <https://www.walmart.com/ip/360-Adjustable-Hands-Free-Hair-Dryer-Wall-Bathroom-Mount-Stand-Holder-With-Suction-Cup/546188971>.

Adjustable Height Hair Dryer Stand, <https://www.arthritissupplies.com/adjustable-height-hair-dryer-stand.html>.

Hands Free Hair Dryer Stand, <https://www.arthritissupplies.com/hands-free-hair-dryer-stand.html>.

Knifun Hair Dryer Holder with Suction Cup Hands Free 360 Degree Rotation Aluminum Alloy Hairdryer Stand for Men Women Kids Elder or Pet Hair Styling—Mounted at Any Smoothy Surface, Silver, <https://www.walmart.com/ip/Knifun-Hair-Dryer-Holder-Suction-Cup-Hands-Free-360-Degree-Rotation-Aluminum-Alloy-Hairdryer-Stand-Men-Women-Kids-Elder-Pet-Hair-Styling-Mounted-Smoo/690570329>.

Hands Free Hair Dryer Stand Holder—Blow Dryer Mount for Hands Free Drying—Blowdryer Stand Perfect for Any Counter—Attachment Makes Styling, Curling, Straightening & More Easy by 5 Star Super Deals, <https://www.amazon.com/Hands-Free-Dryer-Stand-Holder/dp/B0748S4WBV>.

Hands Free Hair Dryer Holder—Compact for Home and Travel! by JUMBL by Hair Dryer Holder Company, [https://www.amazon.com/dp/B005IH0KDC/ref=psdc\\_11058141\\_t3\\_B0748S4WBV](https://www.amazon.com/dp/B005IH0KDC/ref=psdc_11058141_t3_B0748S4WBV).

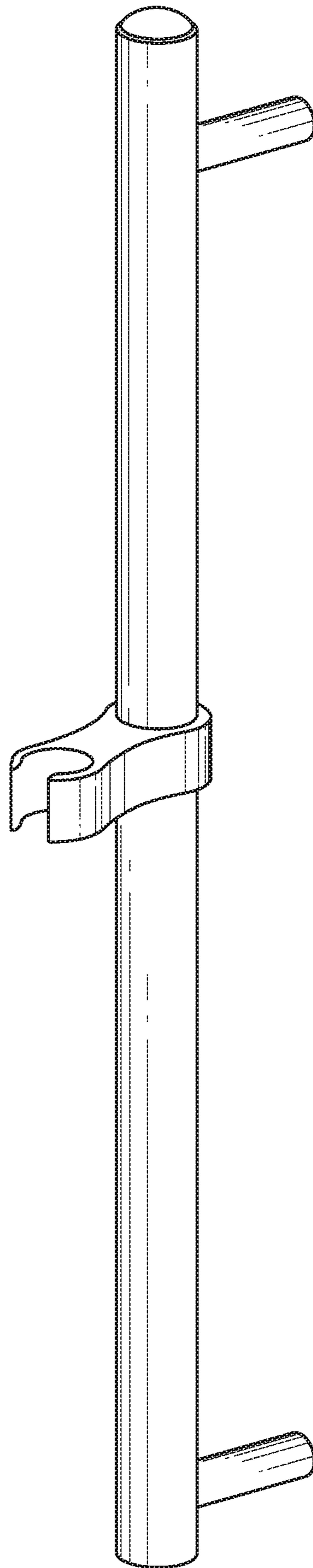
VaLaVie Hair Dryer Holder Wall Mount Self Adhesive Storage Organizer for Hair Blower with Plug Stand, 304 Stainless Steel Brushed Nickel & Water-Resistant, [https://www.amazon.com/dp/B0739R3LCR/-ref=psdc\\_11058141\\_t4\\_B005IH0KDC](https://www.amazon.com/dp/B0739R3LCR/-ref=psdc_11058141_t4_B005IH0KDC).

Hands Free Hair Dryer Holder by JUMBL by JUMBL, <https://www.amazon.com/Hands-Free-Dryer-Holder-JUMBL/dp/B0082BQQV6>.

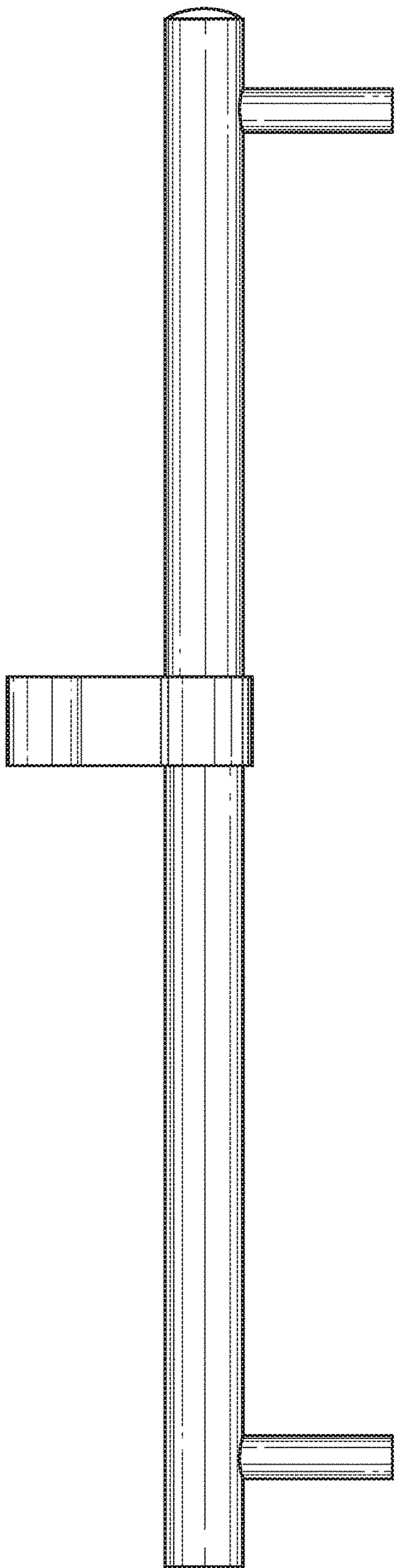
Innelo Hair Dryer Holder, Hands Free Dryer Stand for Hair Styling and Storage by innelo, <https://www.amazon.com/innelo-Dryer-Holder-Styling-Storage/dp/B07GRTCFG8>.

CUTICATE Stainless Steel Hands Free Hair Dryer Holder with Sucker 360 Degree Rotation by CUTICATE, <https://www.amazon.com/CUTICATE-Stainless-Holder-Sucker-Rotation/dp/B07KW1DBW1/>.

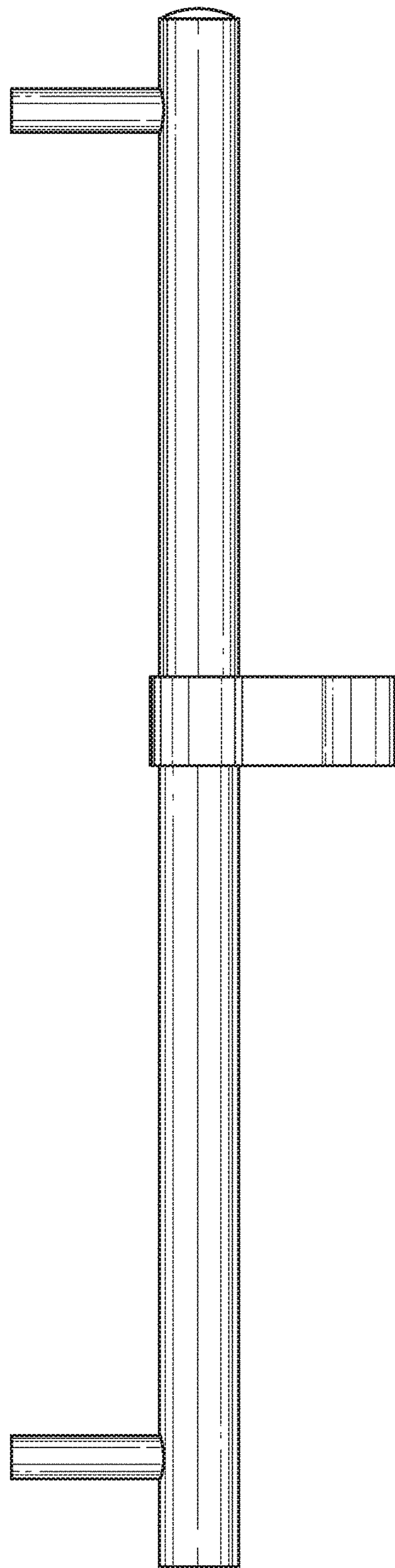
\* cited by examiner



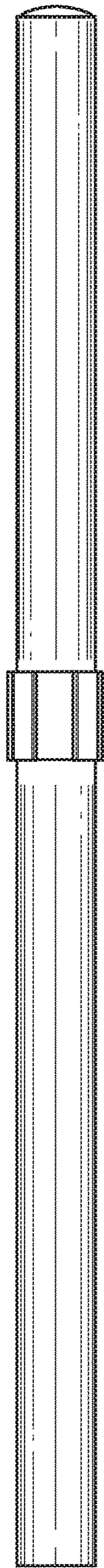
*Fig. 1*



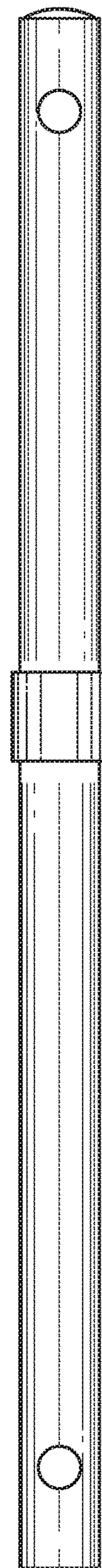
*Fig. 2*



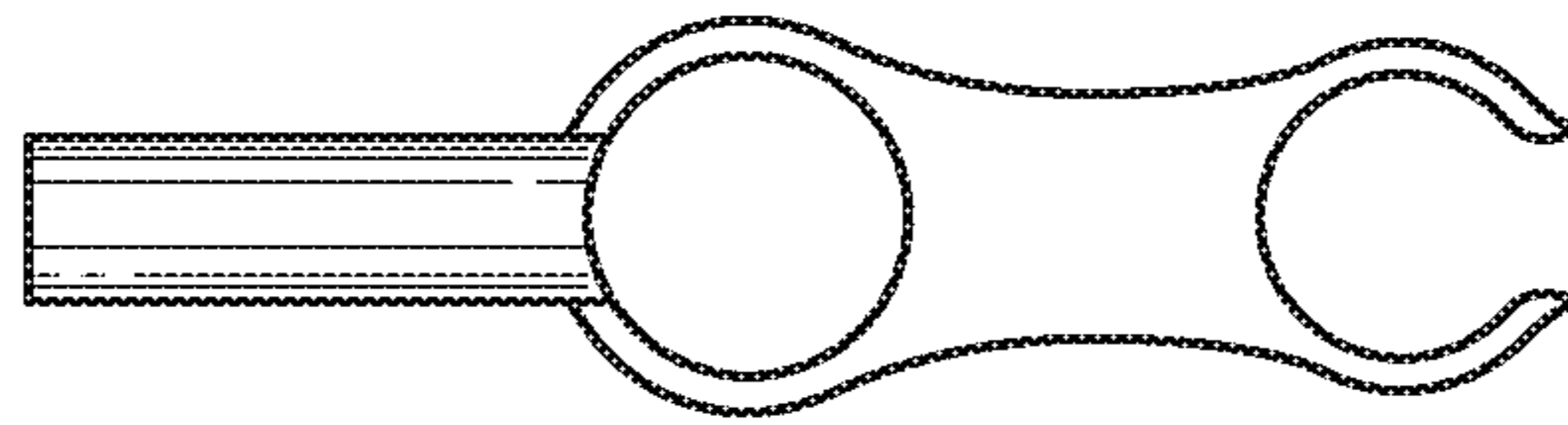
*Fig. 3*



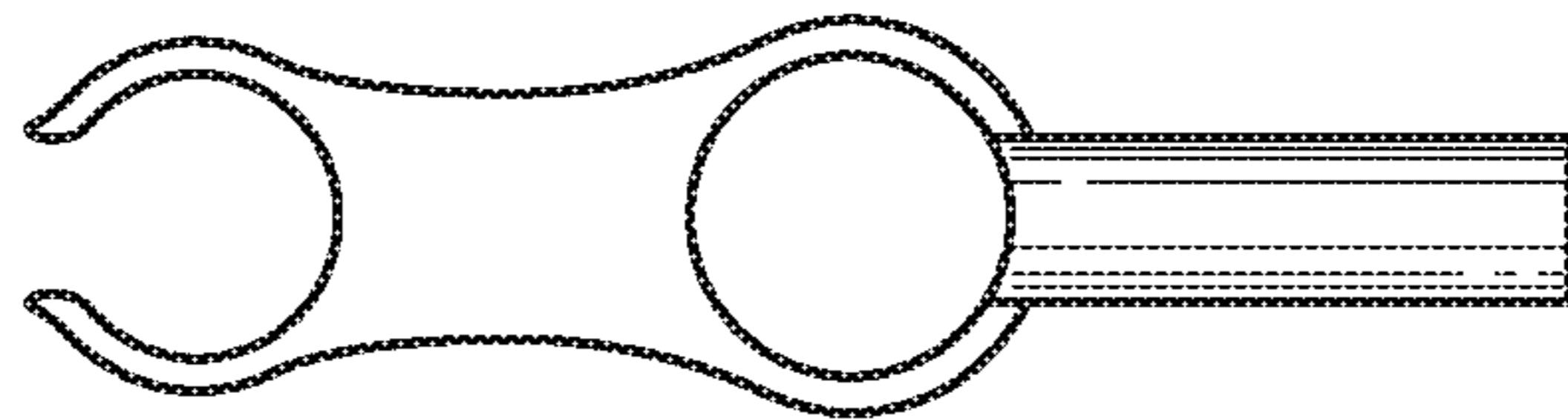
*Fig. 4*



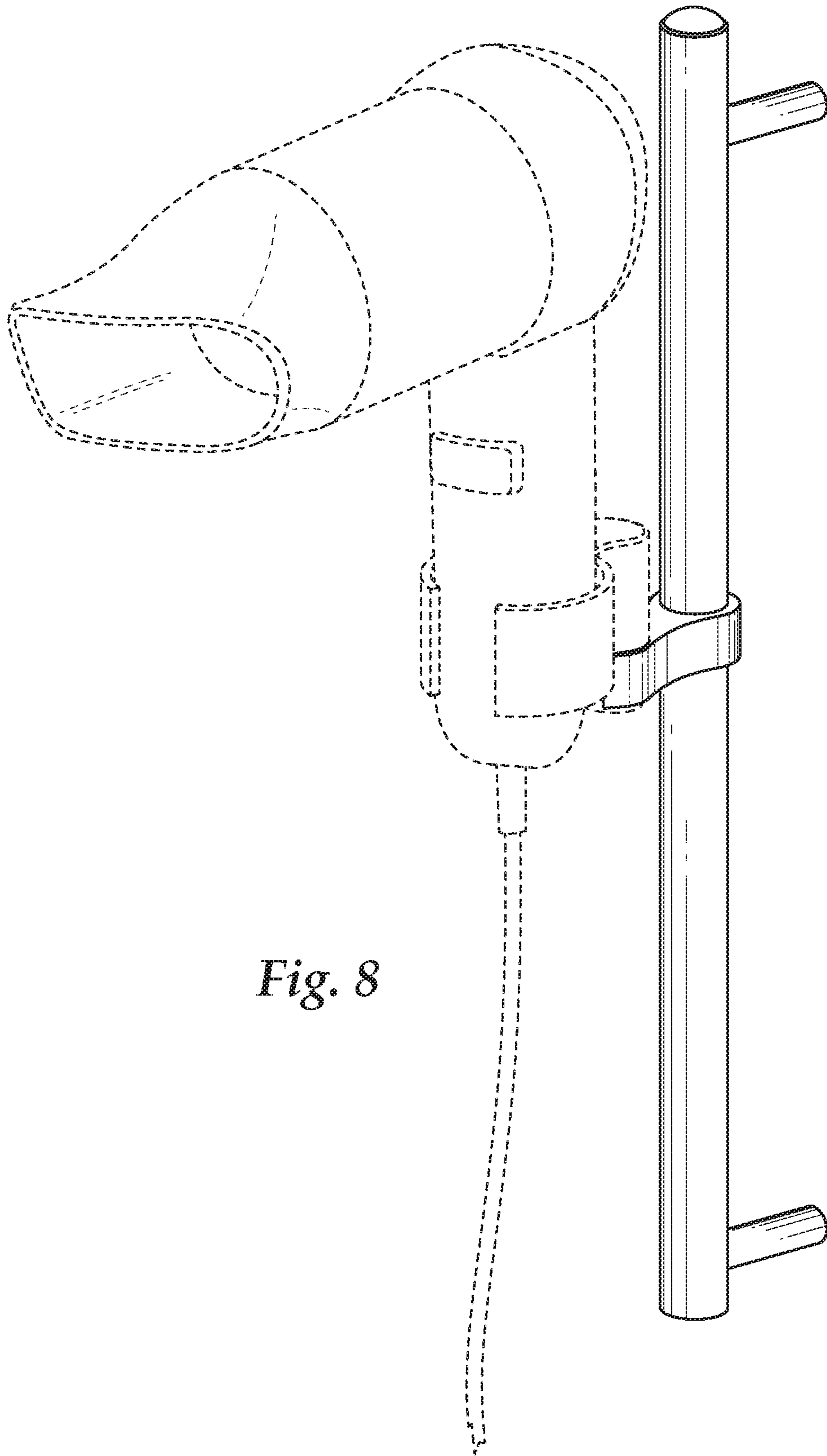
*Fig. 5*



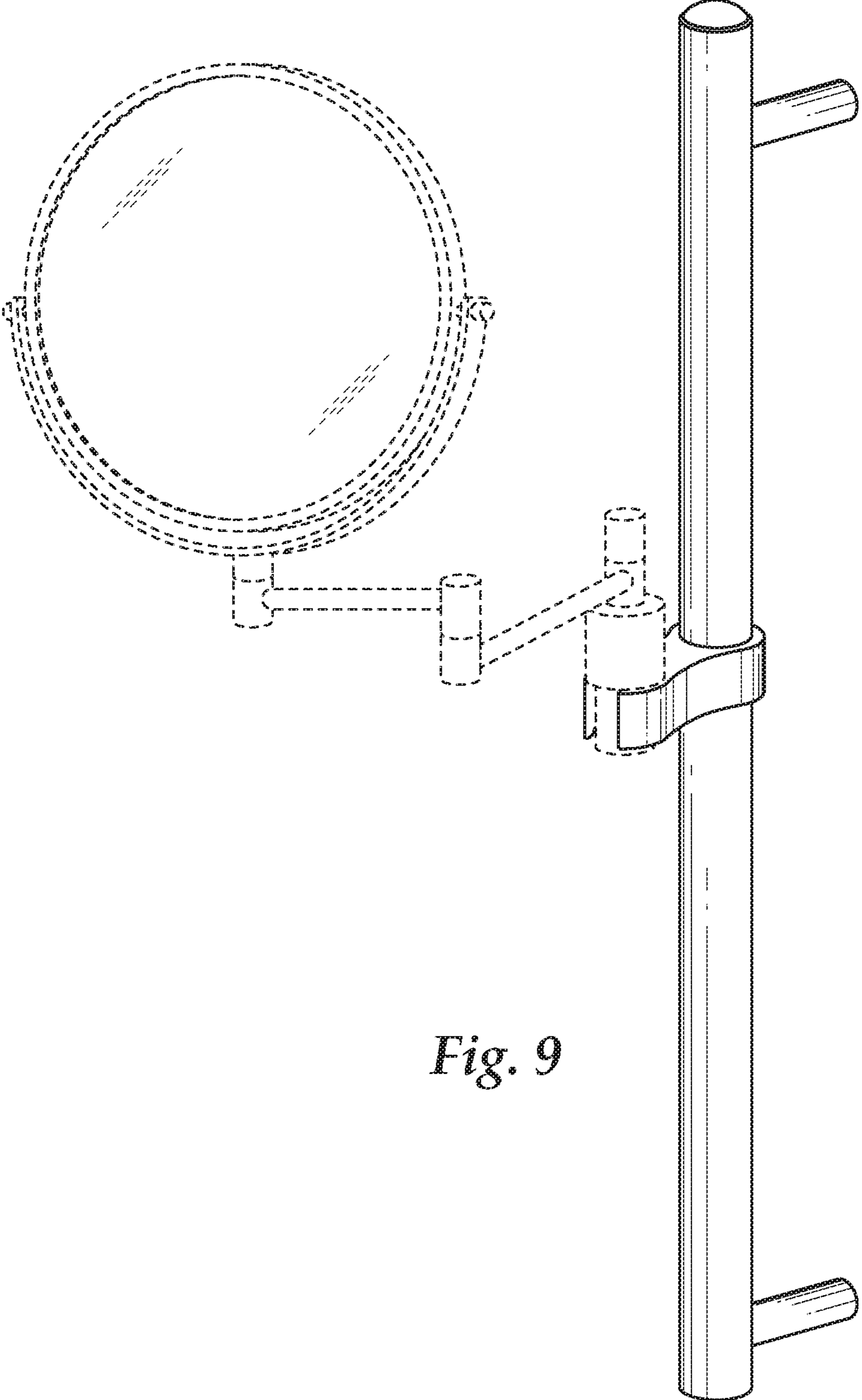
*Fig. 6*



*Fig. 7*

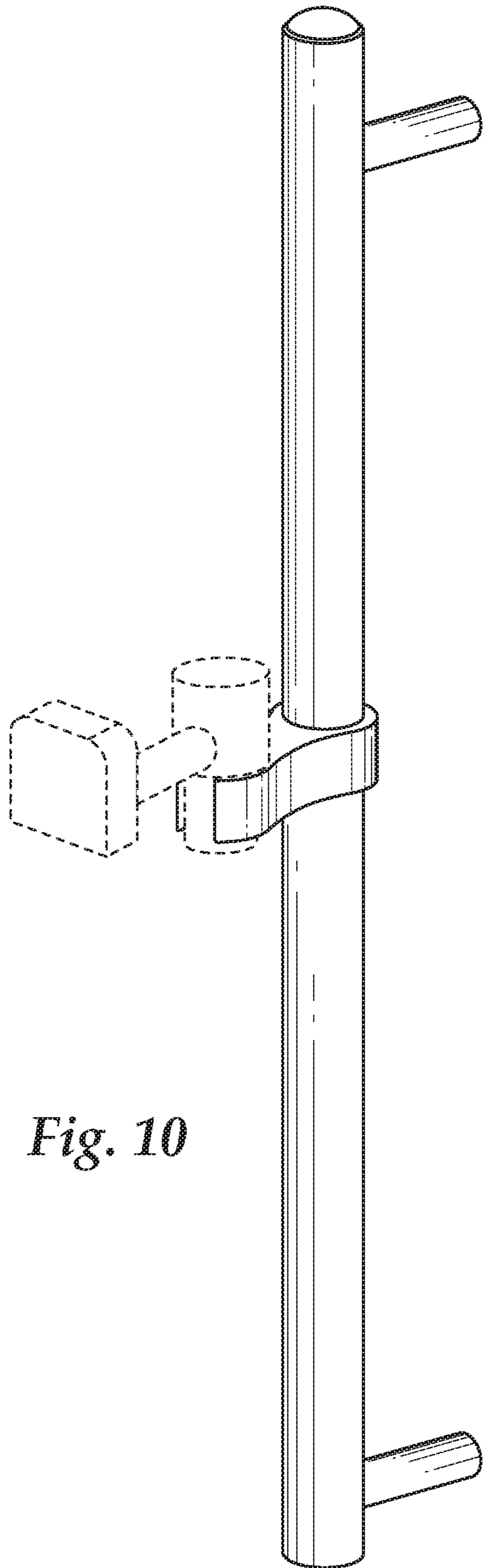


*Fig. 8*



*Fig. 9*





*Fig. 10*