



US00D898554S

(12) **United States Design Patent**
Evans et al.

(10) **Patent No.:** **US D898,554 S**
(45) **Date of Patent:** **** Oct. 13, 2020**

(54) **BRACKET**

(71) Applicant: **Tracklok Limited**, Auckland (NZ)

(72) Inventors: **Shaun Evans**, Auckland (NZ); **Scott Simpson**, Auckland (NZ)

(73) Assignee: **TRACKLOK LIMITED**, Auckland (NZ)

(**) Term: **15 Years**

(21) Appl. No.: **29/721,493**

(22) Filed: **Jan. 21, 2020**

Related U.S. Application Data

(63) Continuation of application No. 29/630,777, filed on Dec. 22, 2017, now Pat. No. Des. 873,115.

(51) **LOC (12) Cl.** **08-05**

(52) **U.S. Cl.**
USPC **D8/354**

(58) **Field of Classification Search**
USPC D25/5, 6, 120, 121, 199; D8/349, 354, D8/373, 380, 382
CPC A47B 47/0033; A47B 47/0008; A47B 47/005; F16B 12/40; F16B 12/44; F16B 12/46; F16B 12/50; Y10T 403/4602; Y10S 403/13

See application file for complete search history.

(56) **References Cited**

U.S. PATENT DOCUMENTS

3,601,430 A 8/1971 Zwennis
7,762,027 B1 7/2010 Wentworth et al.
D647,385 S 10/2011 Watts
D799,311 S 10/2017 Mamie
D829,086 S 9/2018 Hynek
D841,435 S 2/2019 Domeck

D873,115 S * 1/2020 Evans D8/354
2010/0307074 A1 12/2010 Stearns et al.
2011/0179727 A1 7/2011 Liu
2016/0251845 A1* 9/2016 Evans F16M 13/027
52/698

FOREIGN PATENT DOCUMENTS

JP S61-254760 11/1986
JP H01-64516 4/1989
JP H04-113606 10/1992
JP H09-252926 9/1997
JP 2013-515184 5/2013

OTHER PUBLICATIONS

Atena S.P.A., Data Sheet No. 4 Steel Strong Easy Antiseismic T24 Overlap—rev 4, Sep. 28, 2015, pp. 1-4.

* cited by examiner

Primary Examiner — Keli L Hill

Assistant Examiner — Harold E Blackwell, II

(74) *Attorney, Agent, or Firm* — Nixon & Vanderhye

(57) **CLAIM**

The ornamental design for a bracket, as shown and described.

DESCRIPTION

FIG. 1 is a front, right side, and top perspective view of a bracket showing the new design;
FIG. 2 is a front elevation view thereof;
FIG. 3 is a left side elevation view thereof;
FIG. 4 is a rear elevation view thereof;
FIG. 5 is a right side elevation view thereof;
FIG. 6 is a top plan view thereof; and,
FIG. 7 is a bottom plan view thereof.
The broken lines in the drawings illustrate portions of a bracket which form no part of the claimed design.

1 Claim, 7 Drawing Sheets

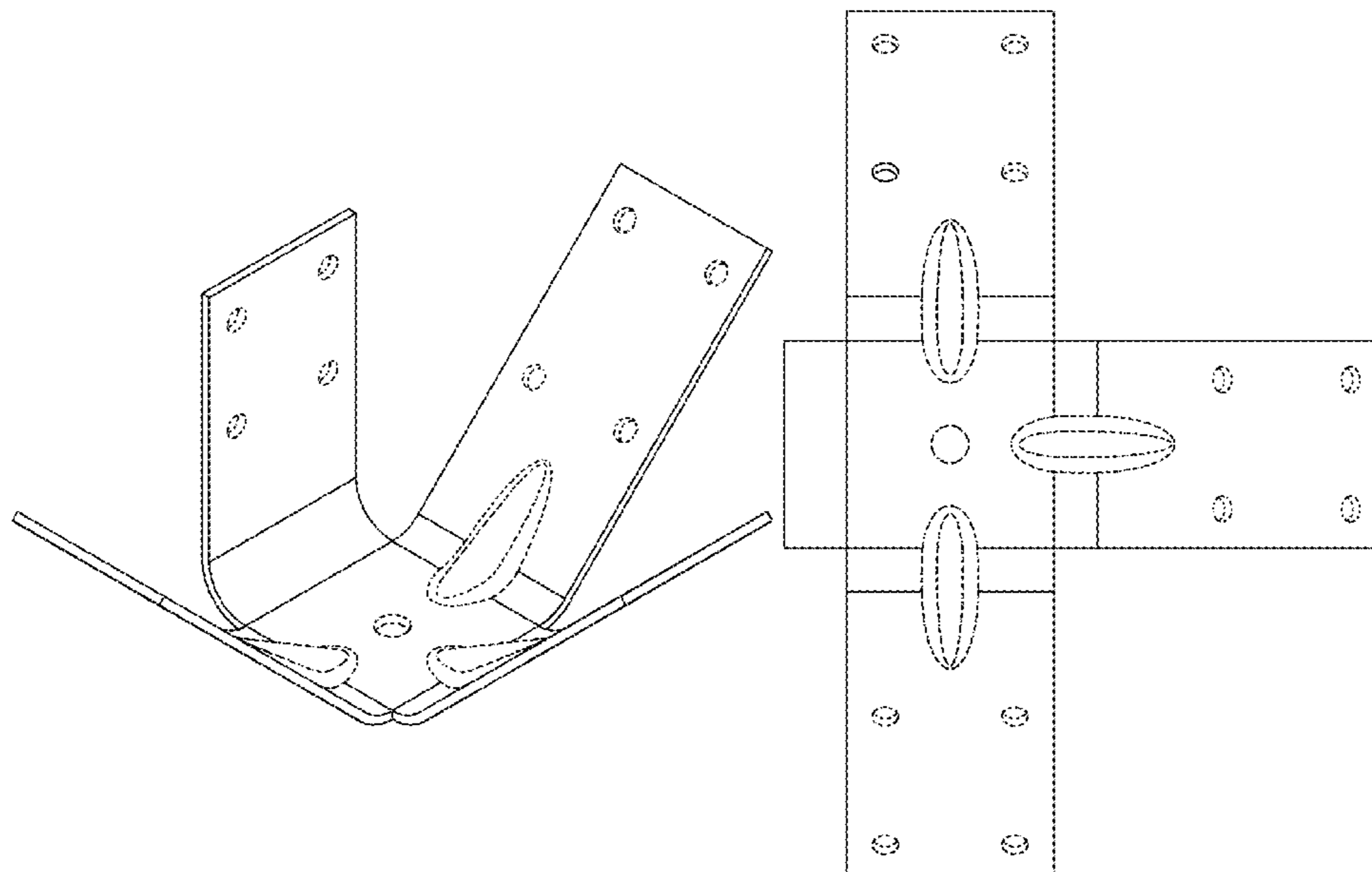


FIG. 1

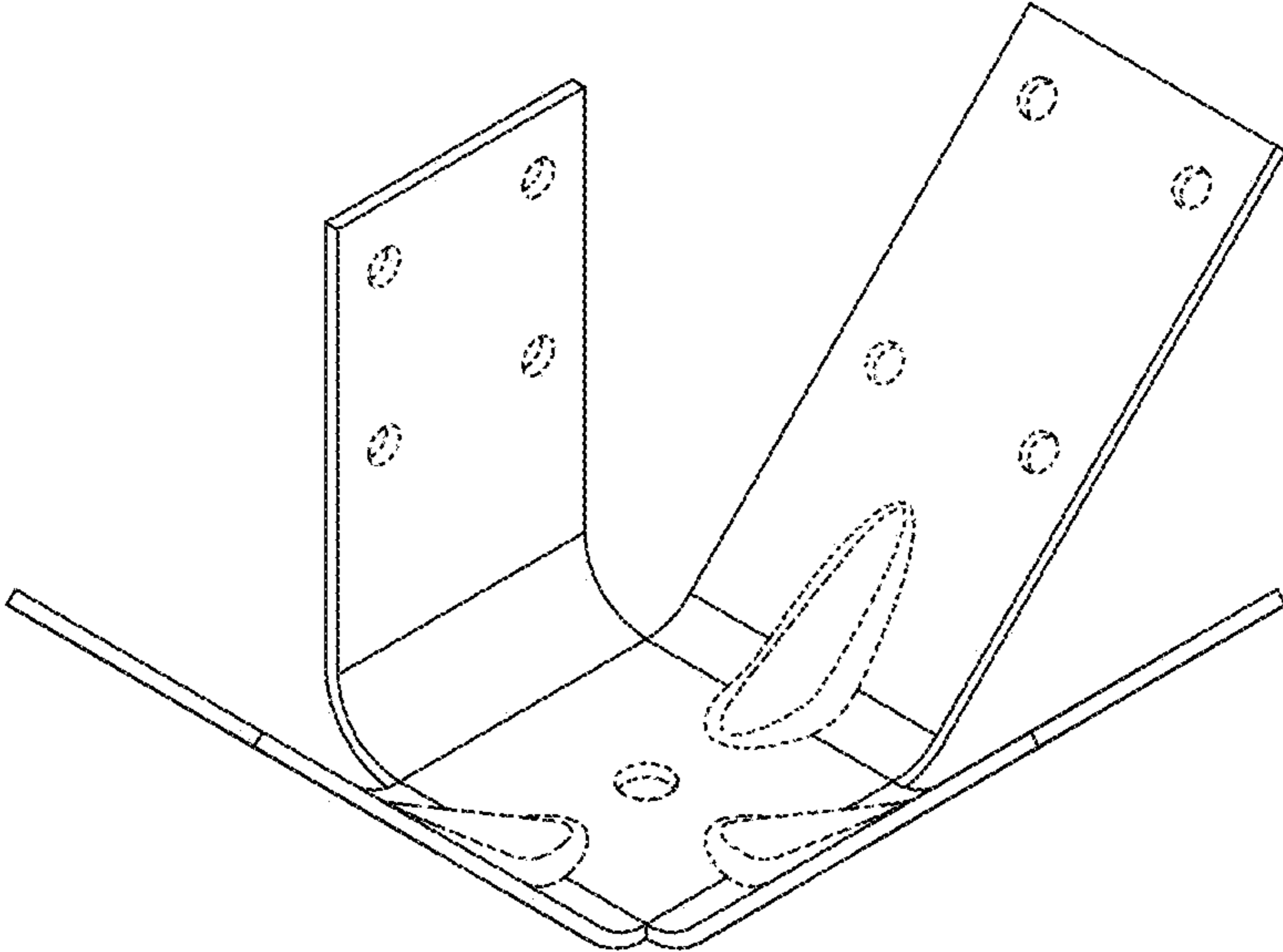


FIG. 2

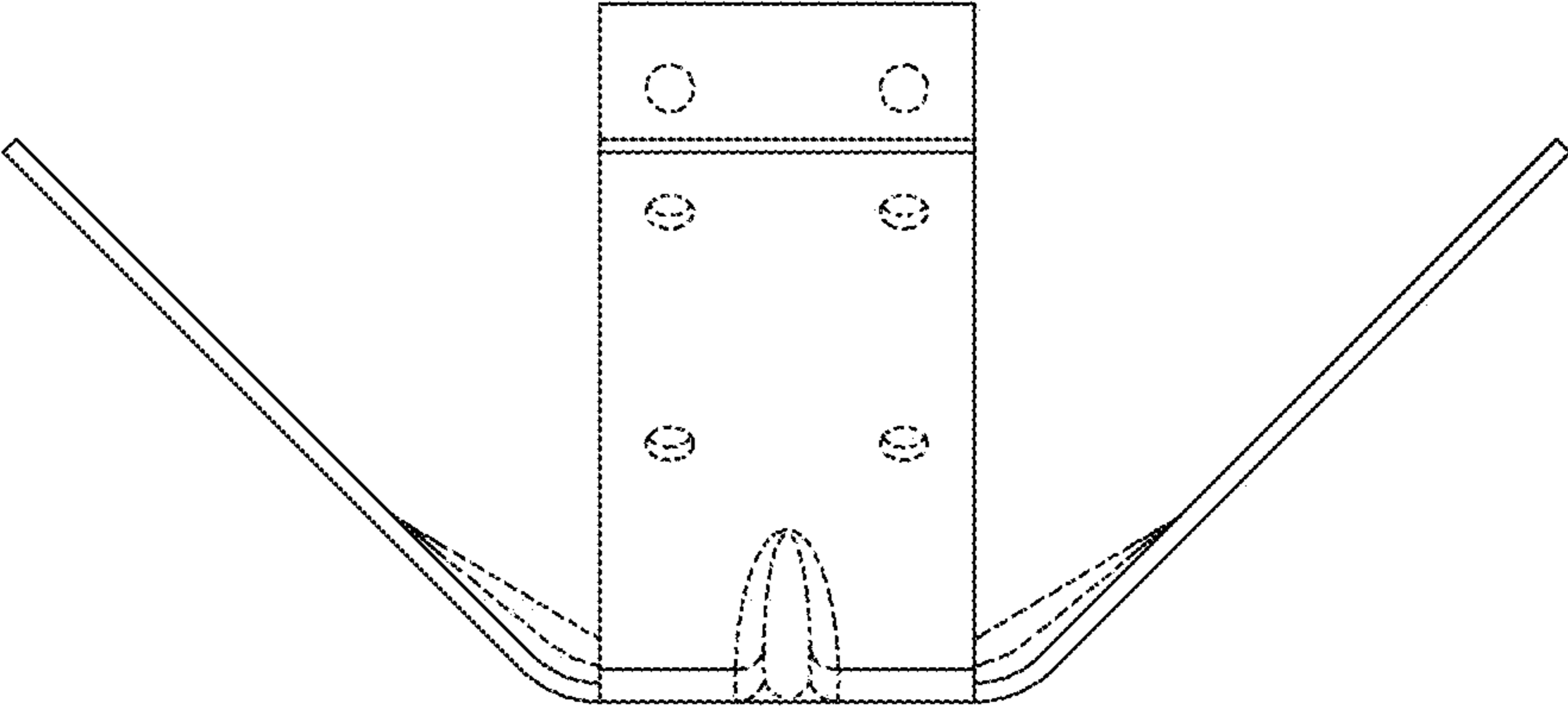


FIG. 3

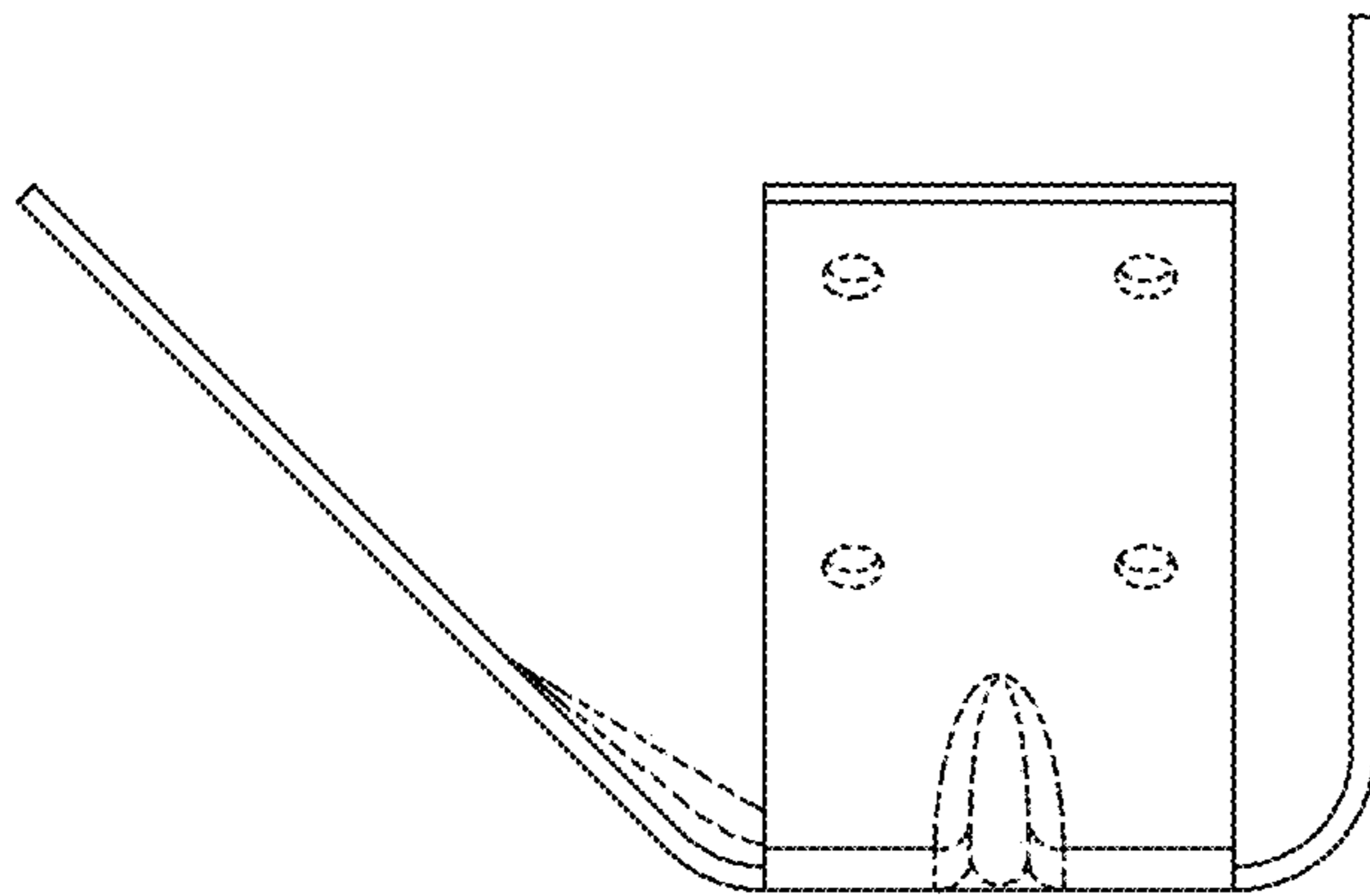


FIG. 4

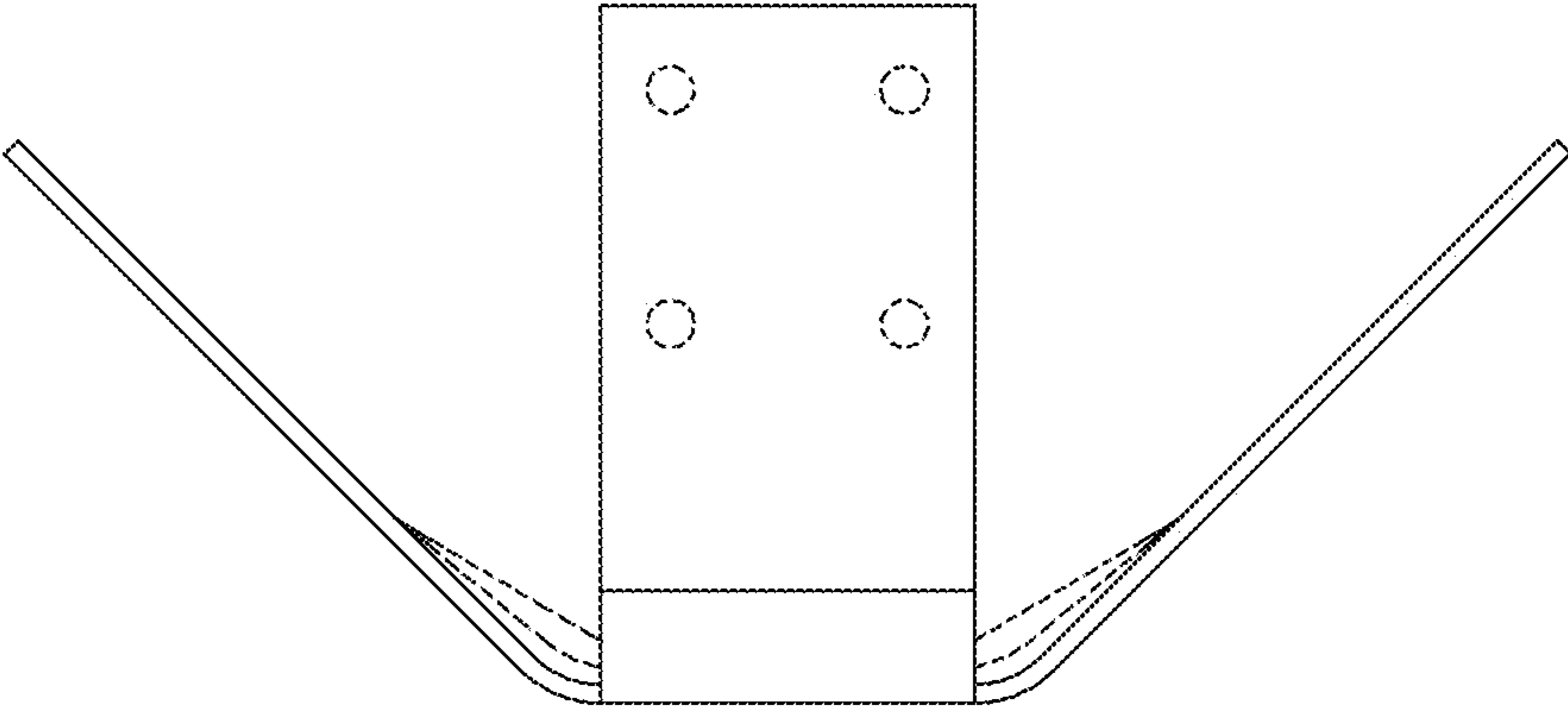


FIG. 5

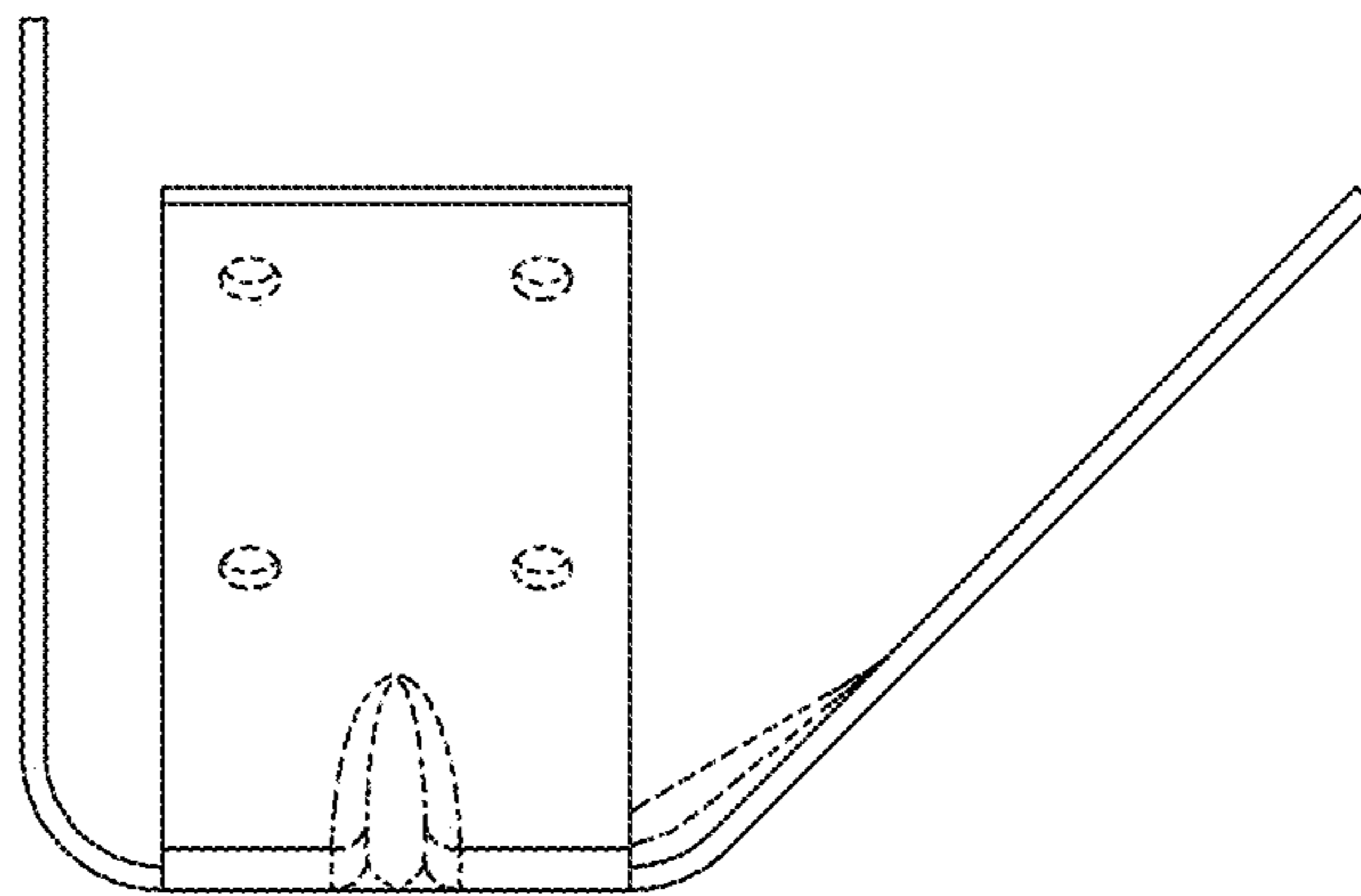


FIG. 6

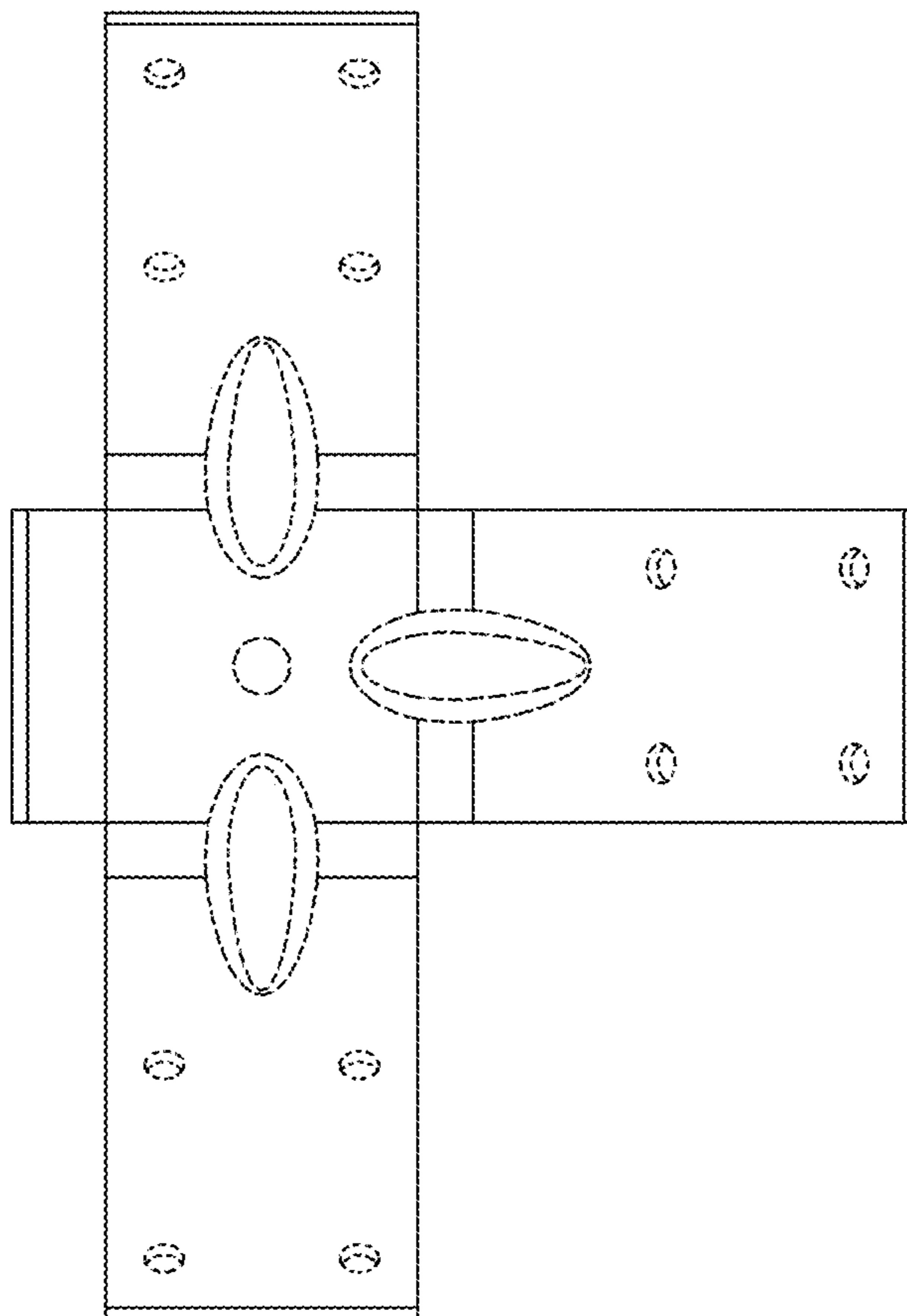


FIG. 7

