



US00D898553S

(12) **United States Design Patent**
Trombley

(10) **Patent No.:** **US D898,553 S**

(45) **Date of Patent:** **** Oct. 13, 2020**

(54) **END CAP FOR A SLIDING DOOR TRACK**

(71) Applicant: **Matthew J. Trombley**, Punta Gorda,
FL (US)

(72) Inventor: **Matthew J. Trombley**, Punta Gorda,
FL (US)

(**) Term: **15 Years**

(21) Appl. No.: **29/688,713**

(22) Filed: **Apr. 24, 2019**

(51) **LOC (12) Cl.** **08-05**

(52) **U.S. Cl.**
USPC **D8/354**

(58) **Field of Classification Search**
USPC D8/330, 331, 338, 340, 341, 343, 354,
D8/381, 346, 403, 322, 321
CPC E05B 13/00; E05B 15/00; E05B 17/00
See application file for complete search history.

(56) **References Cited**

U.S. PATENT DOCUMENTS

| | | | | |
|-----------|------|---------|-----------------|------------------------|
| 4,344,648 | A | 8/1982 | Mapp | |
| 4,529,091 | A * | 7/1985 | Martin | B65D 81/056 206/453 |
| 4,731,918 | A * | 3/1988 | Burghardt | A47B 13/083 108/156 |
| D356,946 | S * | 4/1995 | Rekuc | D8/403 |
| 5,469,666 | A | 11/1995 | Lewis, Jr. | |
| D396,407 | S * | 7/1998 | Jennings | D8/400 |
| D430,786 | S * | 9/2000 | Hickman | D8/321 |
| 6,216,395 | B1 | 4/2001 | Kelly | |
| 6,279,863 | B1 * | 8/2001 | Hall | E06B 9/323 160/902 |
| 6,829,864 | B2 | 12/2004 | Mitchell et al. | |
| 7,290,371 | B2 | 11/2007 | Zimmerman | |
| D618,995 | S * | 7/2010 | Lavelle | D8/403 |
| D624,813 | S * | 10/2010 | Lavelle | D8/403 |

| | | | | |
|--------------|------|---------|----------|------------------------|
| 8,857,107 | B1 | 10/2014 | Key | |
| D772,051 | S * | 11/2016 | Martin | D8/346 |
| D791,717 | S * | 7/2017 | Uusitalo | D13/160 |
| D848,817 | S * | 5/2019 | Hanlon | D8/322 |
| 2004/0211946 | A1 * | 10/2004 | Farrara | B66F 7/28 254/90 |
| 2010/0281779 | A1 | 11/2010 | Vosburg | |
| 2011/0278199 | A1 * | 11/2011 | Dane | B65D 81/056 206/586 |

* cited by examiner

Primary Examiner — Janice Hallmark

Assistant Examiner — Harold E Blackwell, II

(74) *Attorney, Agent, or Firm* — Edward M. Livingston,
Esq.; Bryan L. Loeffler, Esq.; Livingston Loeffler, P.A.

(57) **CLAIM**

The ornamental design for an end cap for a sliding door track, as shown and described.

DESCRIPTION

FIG. 1 is a top perspective view of an end cap for a sliding door track showing my new design;
 FIG. 2 is a bottom perspective view of the end cap for a sliding door track thereof;
 FIG. 3 is a top view of the end cap for a sliding door track thereof;
 FIG. 4 is a bottom view of the end cap for a sliding door track thereof;
 FIG. 5 is a front view of the end cap for a sliding door track thereof;
 FIG. 6 is a back view of the end cap for a sliding door track thereof;
 FIG. 7 is a side view of the end cap for a sliding door track thereof; and,
 FIG. 8 is an opposing side view of the end cap for a sliding door track thereof.

1 Claim, 2 Drawing Sheets

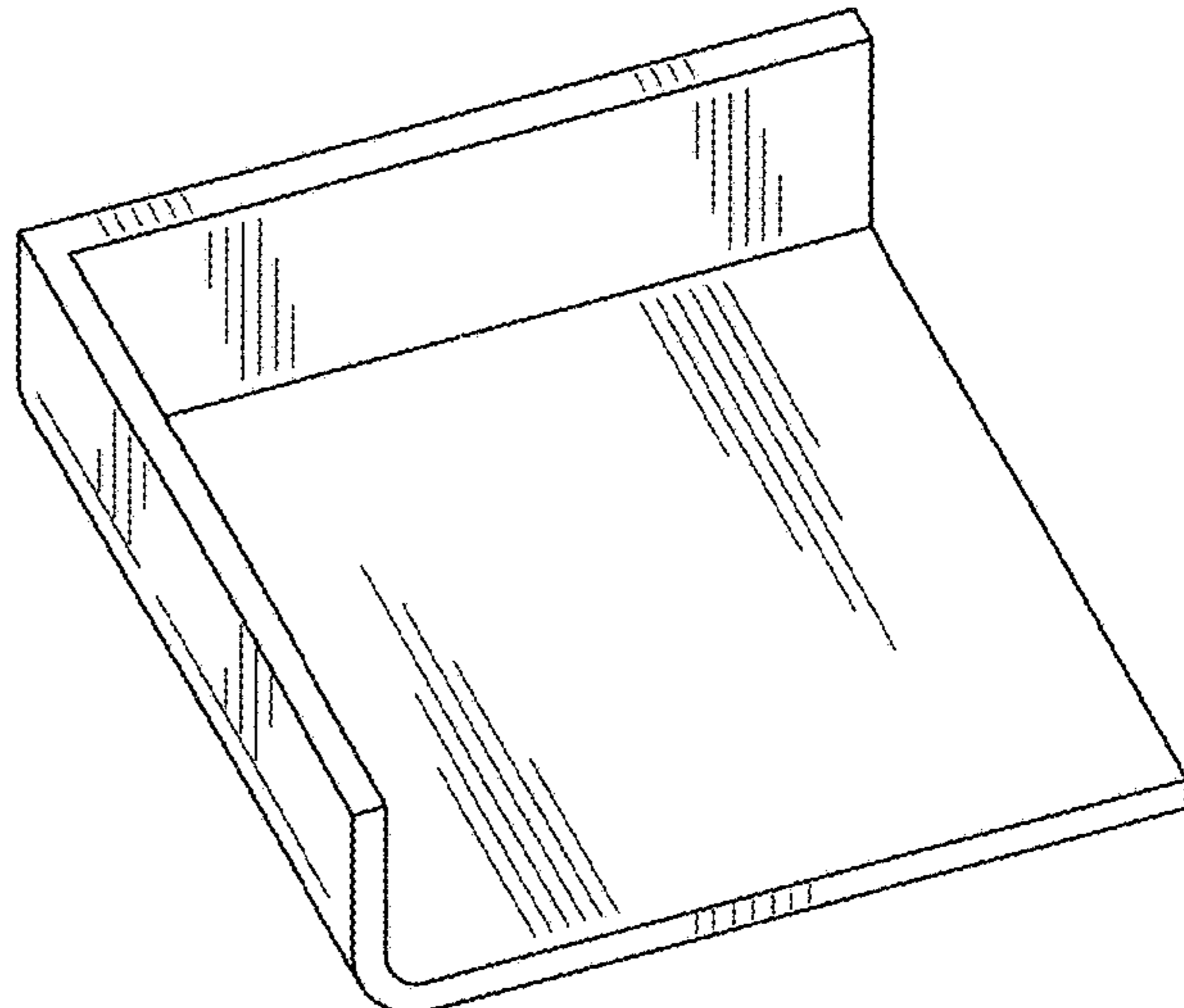
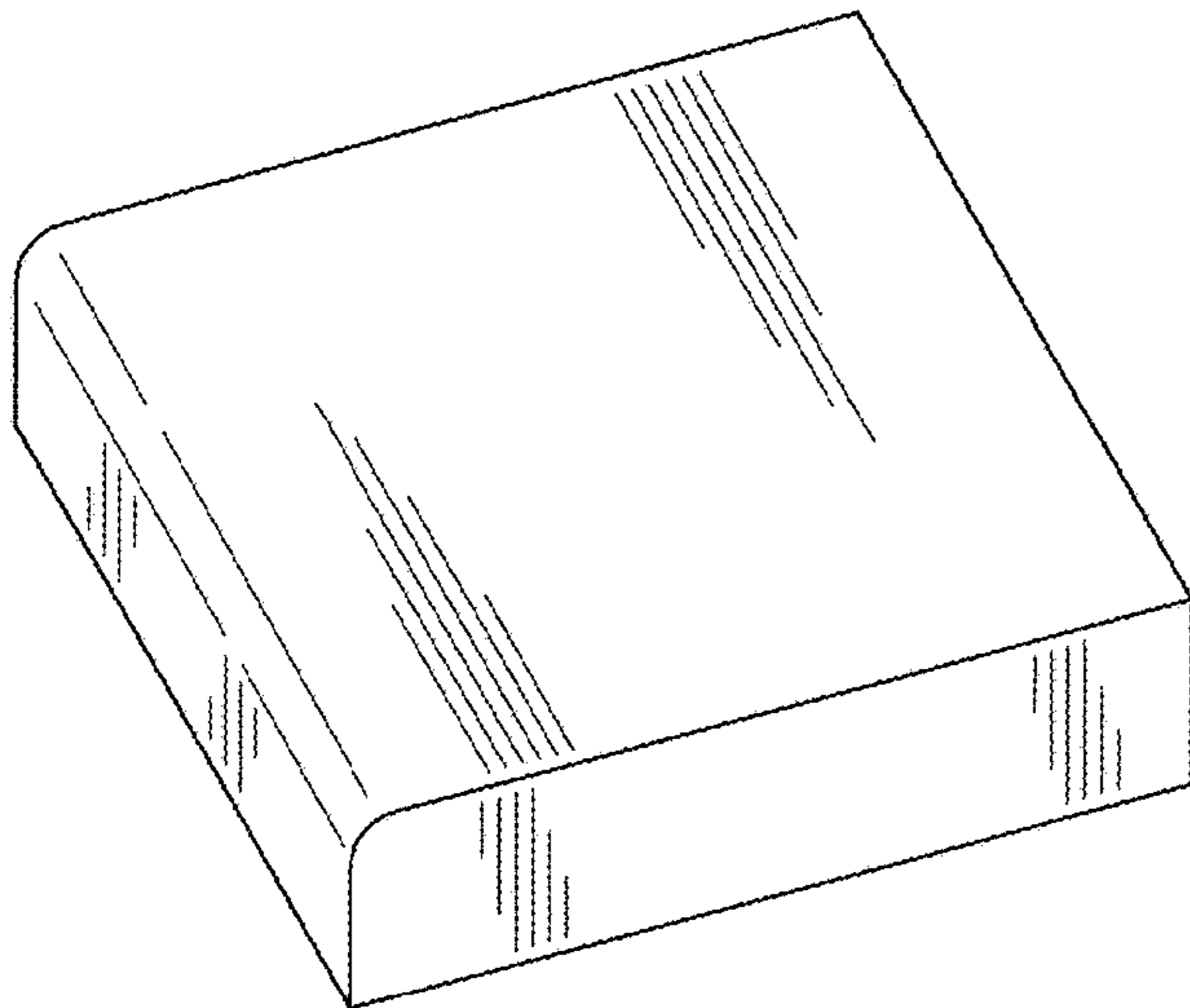


FIG. 1

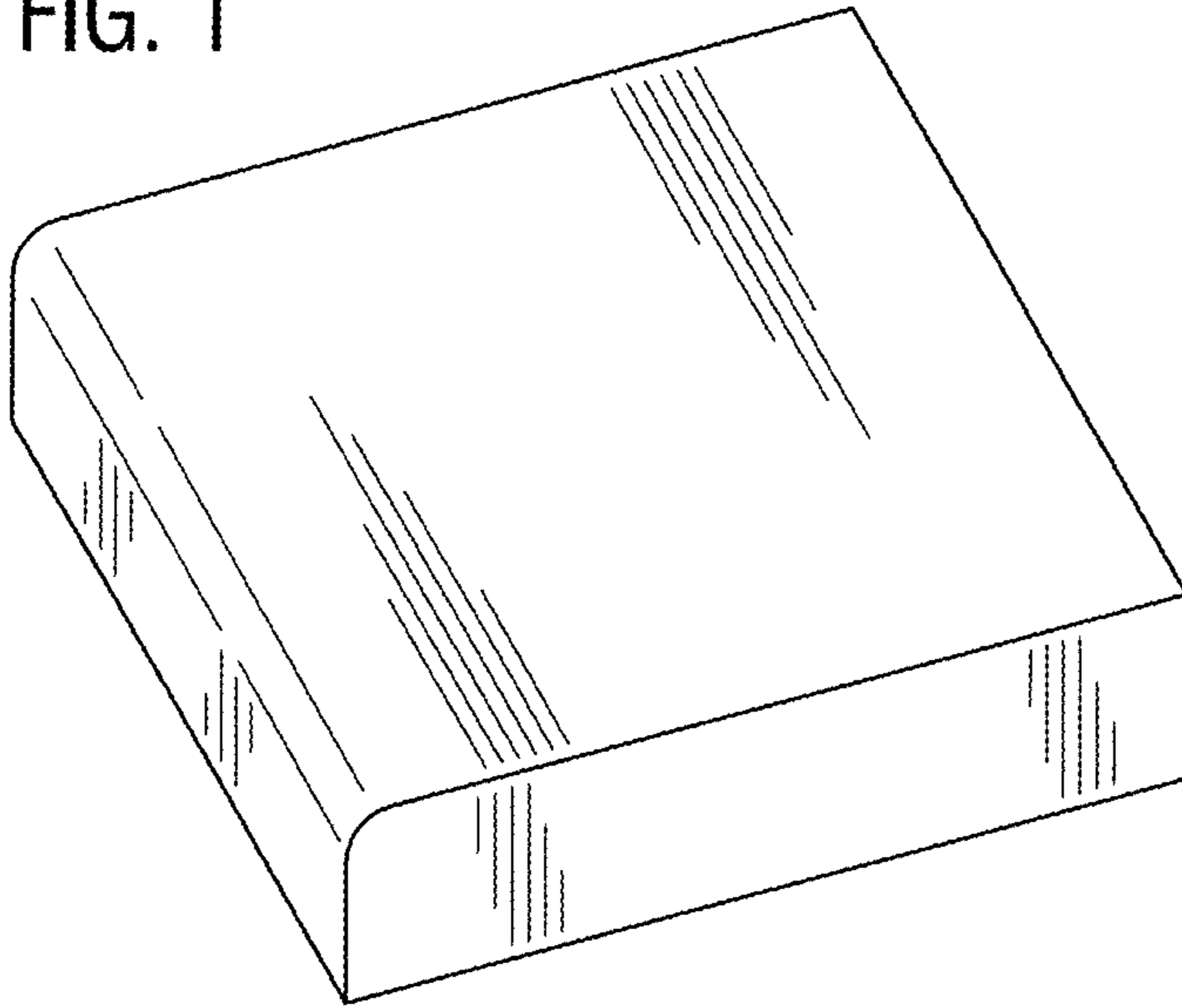


FIG. 2

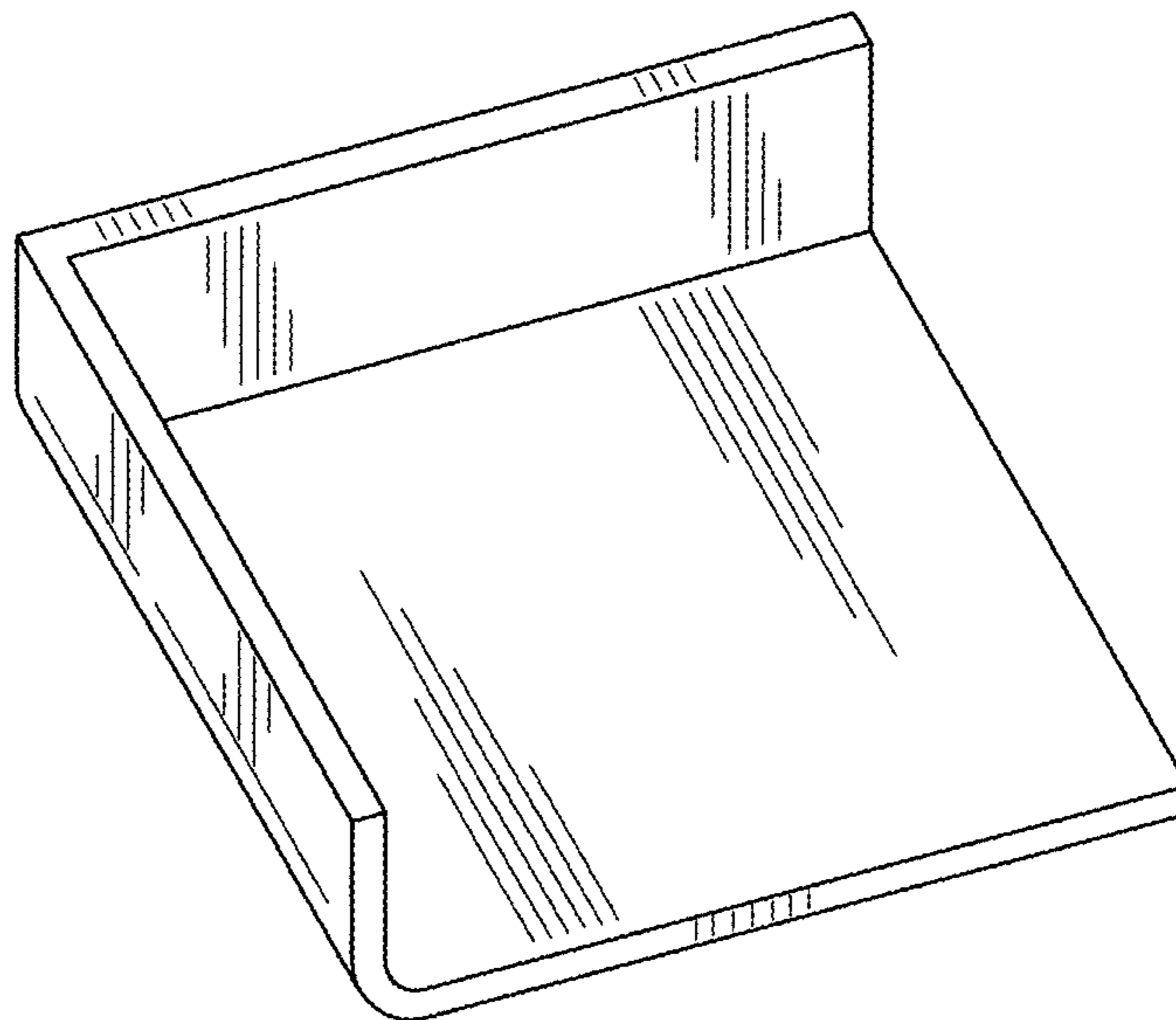


FIG. 3

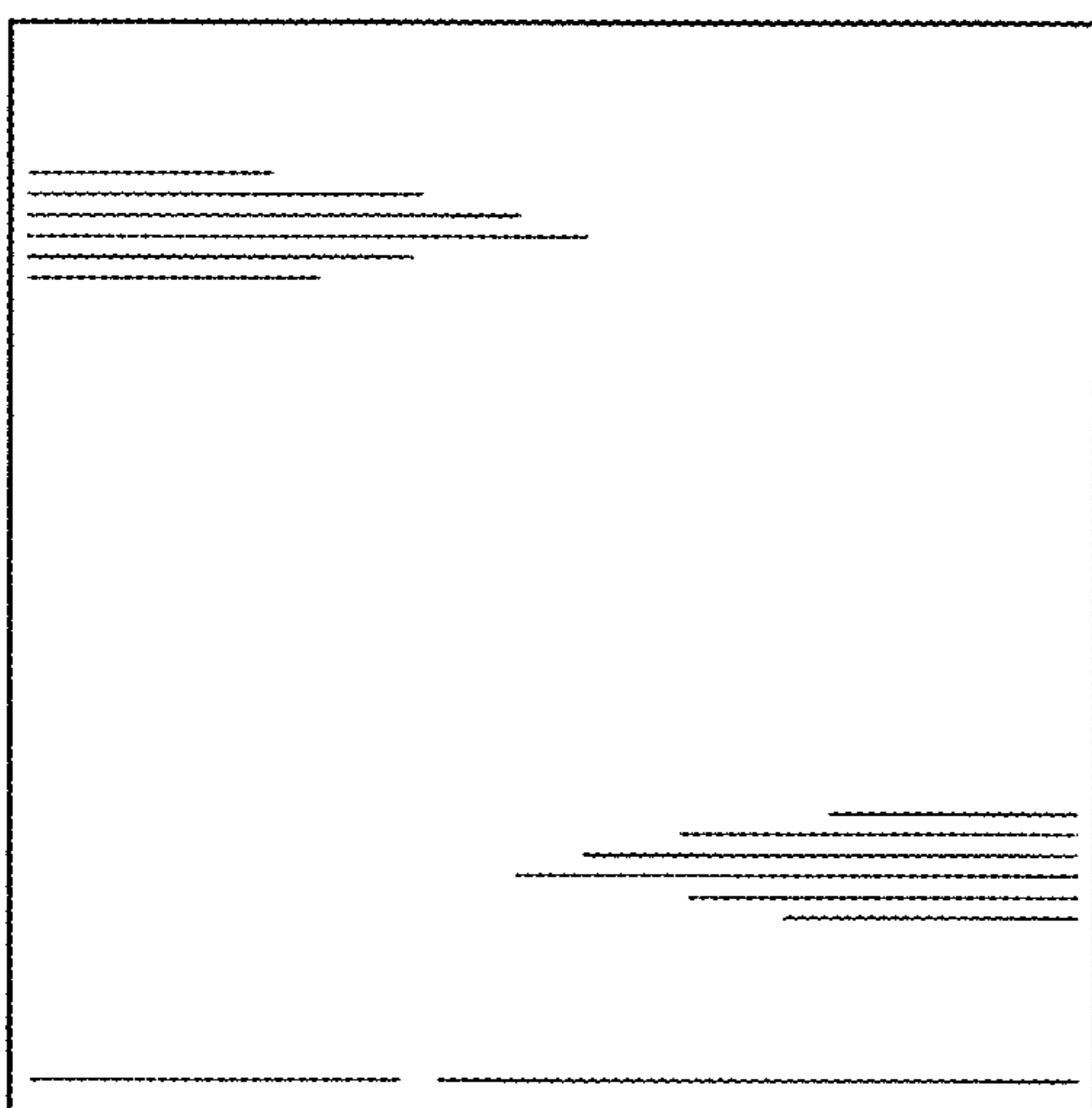


FIG. 4

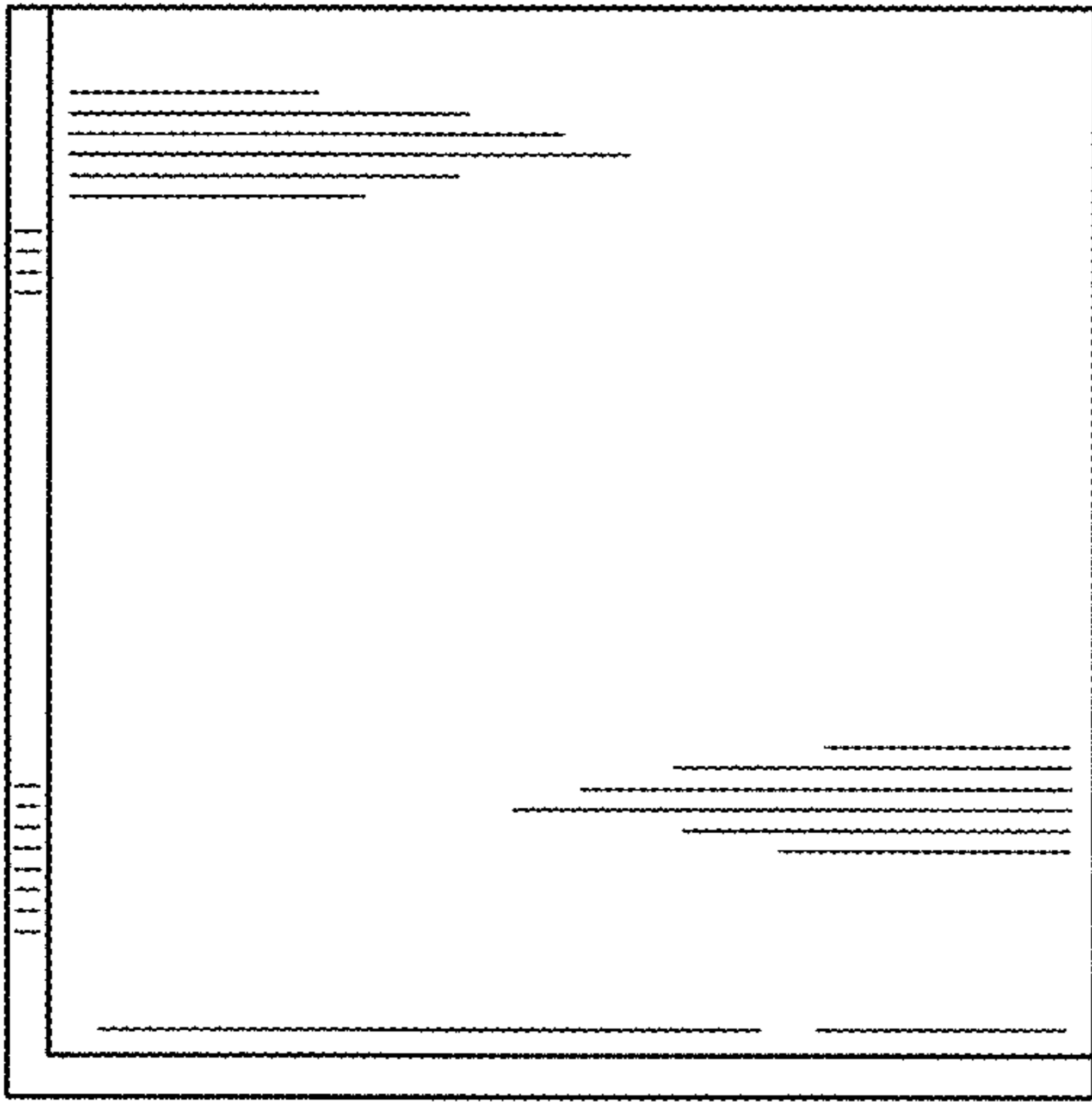


FIG. 5

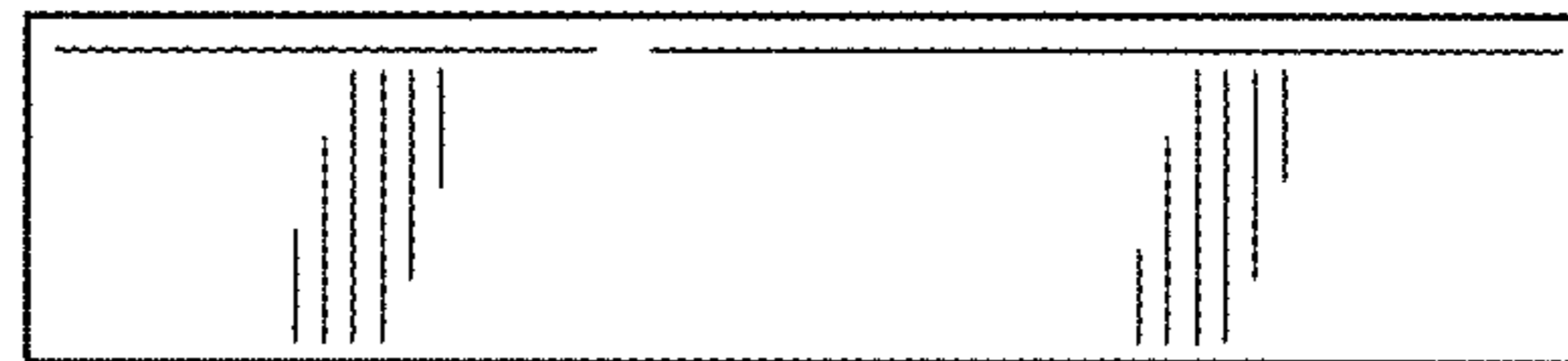


FIG. 6

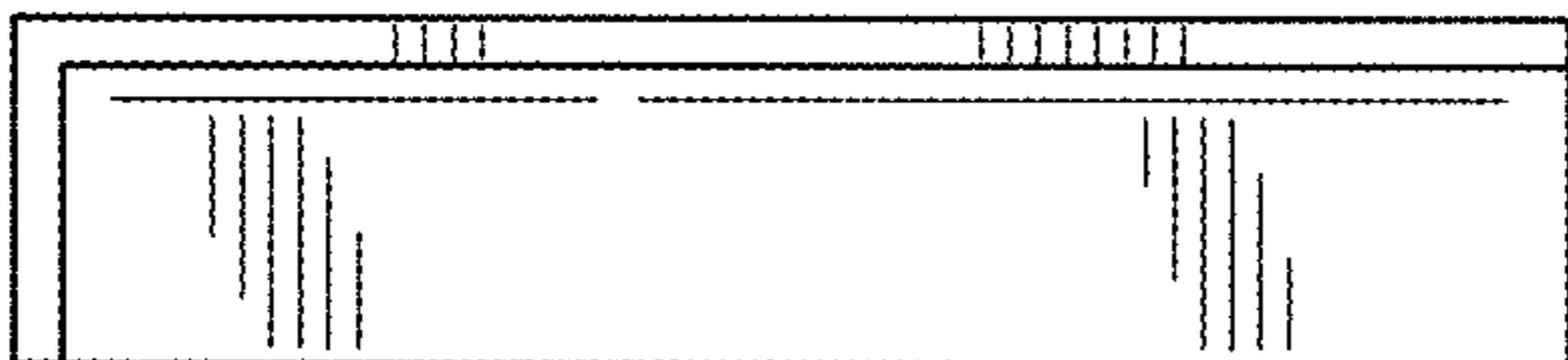


FIG. 7

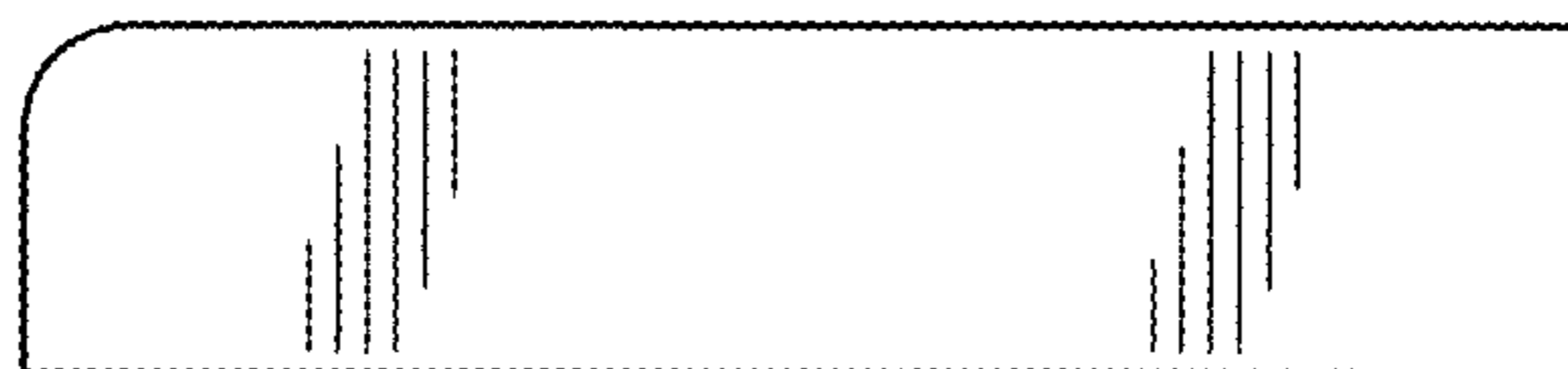


FIG. 8

