



US00D898551S

(12) **United States Design Patent**  
**Landgren**

(10) **Patent No.:** **US D898,551 S**

(45) **Date of Patent:** **\*\* Oct. 13, 2020**

(54) **POSITIONING CLIP**

(71) Applicant: **Carl Landgren**, Milwaukee, WI (US)

(72) Inventor: **Carl Landgren**, Milwaukee, WI (US)

(\*\*) Term: **15 Years**

(21) Appl. No.: **29/681,065**

(22) Filed: **Feb. 22, 2019**

(51) **LOC (12) Cl.** ..... **08-05**

(52) **U.S. Cl.**  
USPC ..... **D8/354**

(58) **Field of Classification Search**  
USPC ..... D8/349, 354, 380, 381, 382, 388, 394,  
D8/395, 396, 499; D6/702, 705.6  
CPC ... A47B 47/0025; A47B 96/06; A47B 96/024;  
A47B 96/028; A47B 96/066; A47B  
96/068; A47B 2096/1491; A47B 96/063  
See application file for complete search history.

(56) **References Cited**

**U.S. PATENT DOCUMENTS**

- D257,950 S \* 1/1981 Van Meter, Jr. .... D13/154
- D292,554 S \* 11/1987 Yagi ..... D8/382
- D293,205 S \* 12/1987 Nakano ..... D8/382
- 5,069,408 A \* 12/1991 Bessinger ..... A47B 96/061  
108/108
- D326,605 S \* 6/1992 Nakanura ..... D8/382
- 5,188,324 A \* 2/1993 Joseph ..... A47B 96/068  
248/222.52
- D340,639 S \* 10/1993 Remmers ..... D8/381
- 5,580,018 A \* 12/1996 Remmers ..... A47B 55/02  
108/152
- D409,479 S \* 5/1999 Beugelsdyk ..... D8/395
- D417,612 S \* 12/1999 Jones ..... D26/138
- 6,065,723 A \* 5/2000 Skudelny ..... A47B 65/00  
248/231.31
- D435,684 S \* 12/2000 Gary ..... D26/138
- D444,375 S \* 7/2001 Møller ..... D8/349

- D448,987 S \* 10/2001 Davis ..... D8/394
- 6,460,469 B1 \* 10/2002 Dickinson ..... A47B 96/00  
108/108
- D510,822 S \* 10/2005 Spiers ..... D6/682.3
- D540,156 S \* 4/2007 Bryant ..... D8/367
- D631,739 S \* 2/2011 Craig ..... D8/396
- D679,177 S \* 4/2013 Craig ..... D8/395
- D736,609 S \* 8/2015 Coats ..... D8/394
- D753,475 S \* 4/2016 Chappus ..... D8/380
- D774,380 S \* 12/2016 Apter ..... D8/349
- D778,714 S \* 2/2017 McSweyn ..... D12/415
- D782,292 S \* 3/2017 Wessel ..... D8/382
- D783,385 S \* 4/2017 Zhu ..... D8/349
- D787,173 S \* 5/2017 Parnell ..... D3/10
- D808,255 S \* 1/2018 Pittman ..... D8/396
- D812,456 S \* 3/2018 Nolta ..... D8/373
- D812,458 S \* 3/2018 Goto ..... D8/382
- D821,853 S \* 7/2018 Mikkelsen ..... D8/354
- D824,753 S \* 8/2018 Chappus ..... D8/380
- D825,321 S \* 8/2018 Szekesy ..... D8/394

(Continued)

*Primary Examiner* — Sandra S Snapp

*Assistant Examiner* — Ieisha N Price

(74) *Attorney, Agent, or Firm* — Boyle Fredrickson, S.C.

(57) **CLAIM**

The ornamental design for a positioning clip, as shown and described.

**DESCRIPTION**

FIG. 1 is a top isometric view of a positioning clip incorporating my new design, the dotted lines forming no part of the claimed design;

FIG. 2 is a front elevation view thereof, the rear elevation view being a mirror image thereof;

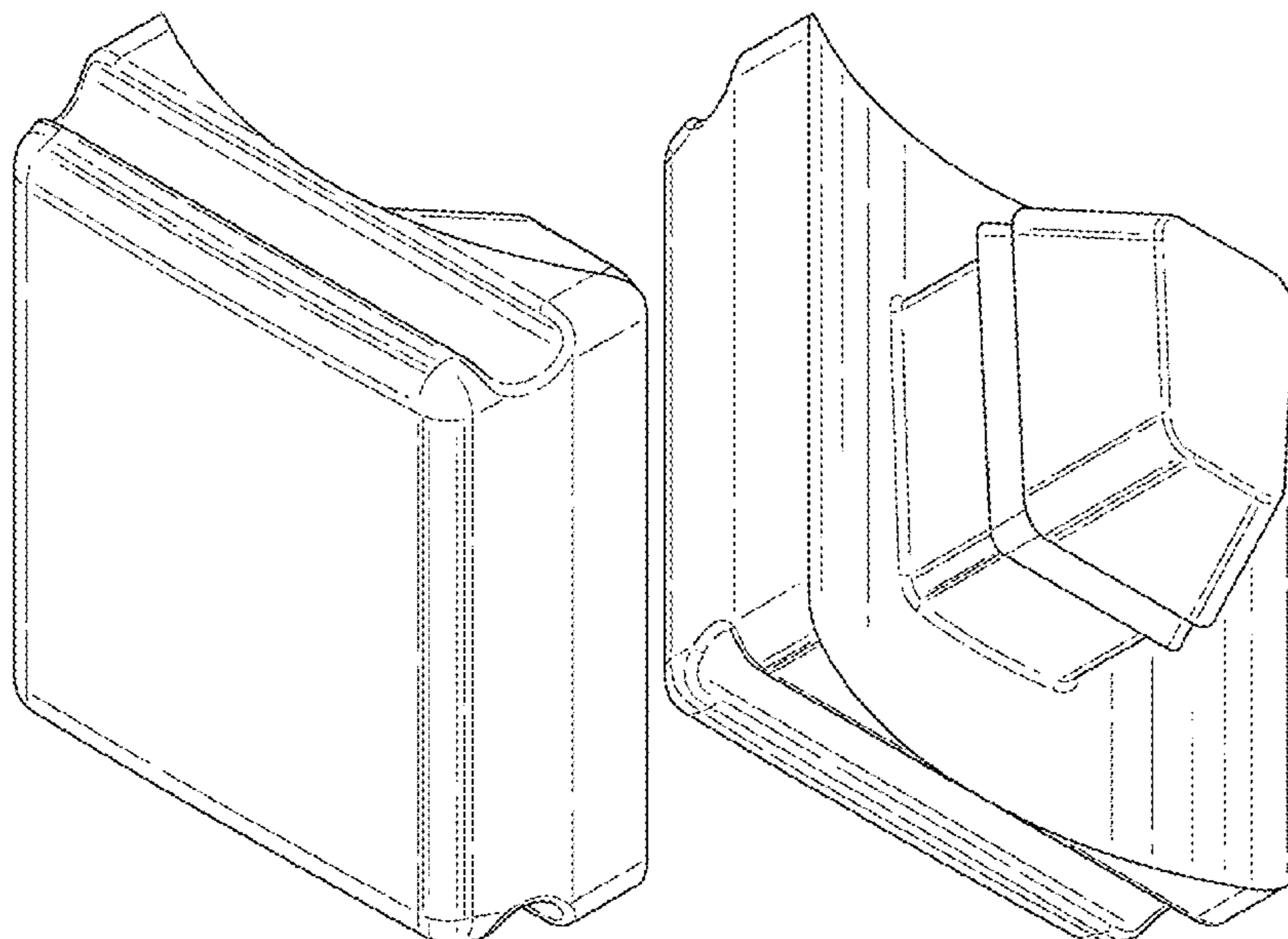
FIG. 3 is a right side elevation view thereof, the left side elevation view being a mirror image thereof;

FIG. 4 is a bottom plan view thereof;

FIG. 5 is a top plan view thereof; and,

FIG. 6 is a bottom isometric view thereof.

**1 Claim, 6 Drawing Sheets**



(56)

**References Cited**

U.S. PATENT DOCUMENTS

D836,431 S \* 12/2018 Frost ..... D8/396  
D843,822 S \* 3/2019 Chappus ..... D8/380  
D845,115 S \* 4/2019 James ..... D8/373  
D857,488 S \* 8/2019 Singh ..... D8/394  
10,376,059 B1 \* 8/2019 Ebersole ..... A47B 96/06  
D866,301 S \* 11/2019 Gasparino ..... A47B 45/00  
D8/354  
2007/0023374 A1 \* 2/2007 Nawrocki ..... A47F 5/0846  
211/90.01  
2017/0367481 A1 \* 12/2017 Ebersole ..... A47B 96/06

\* cited by examiner

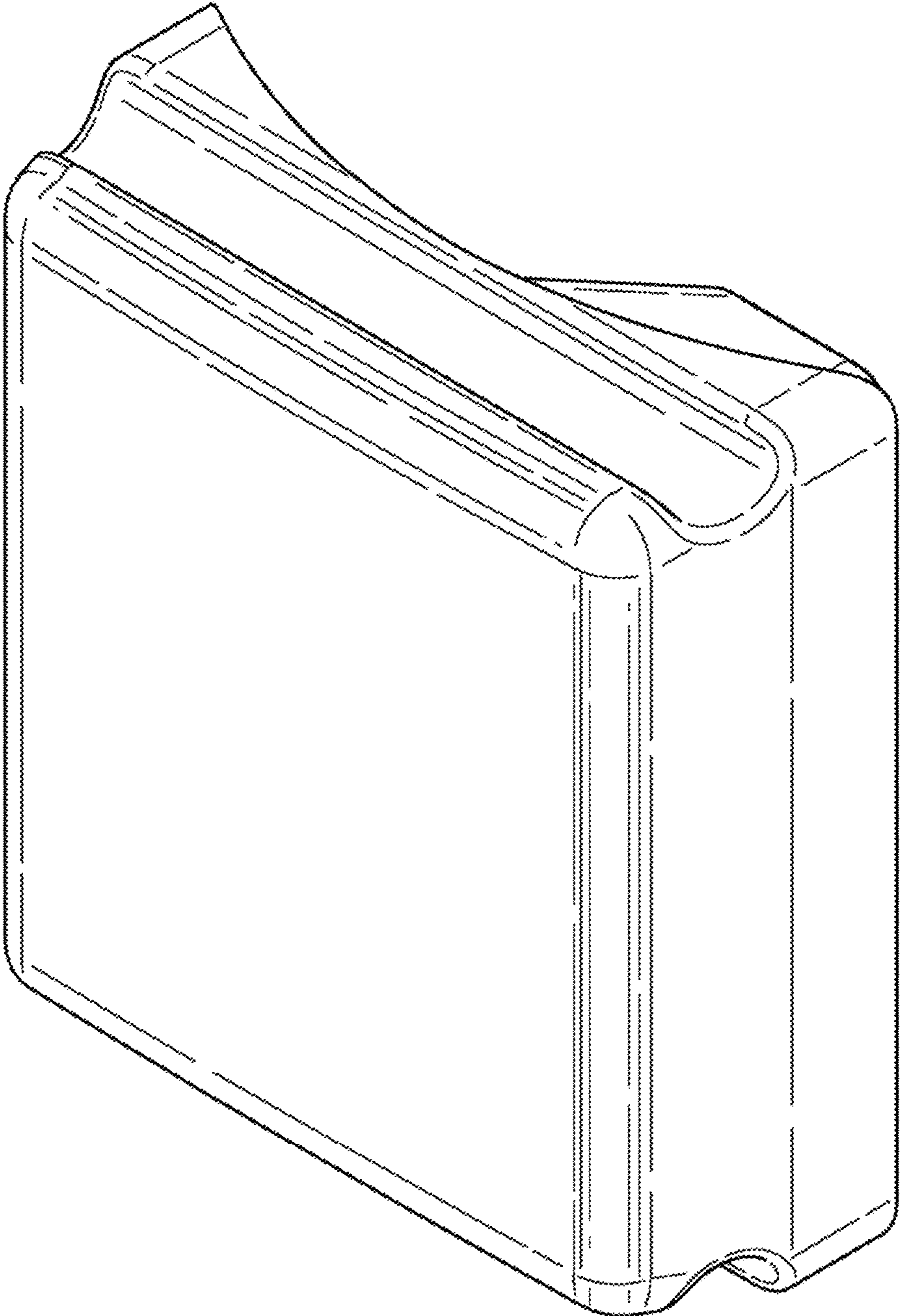


Figure 1

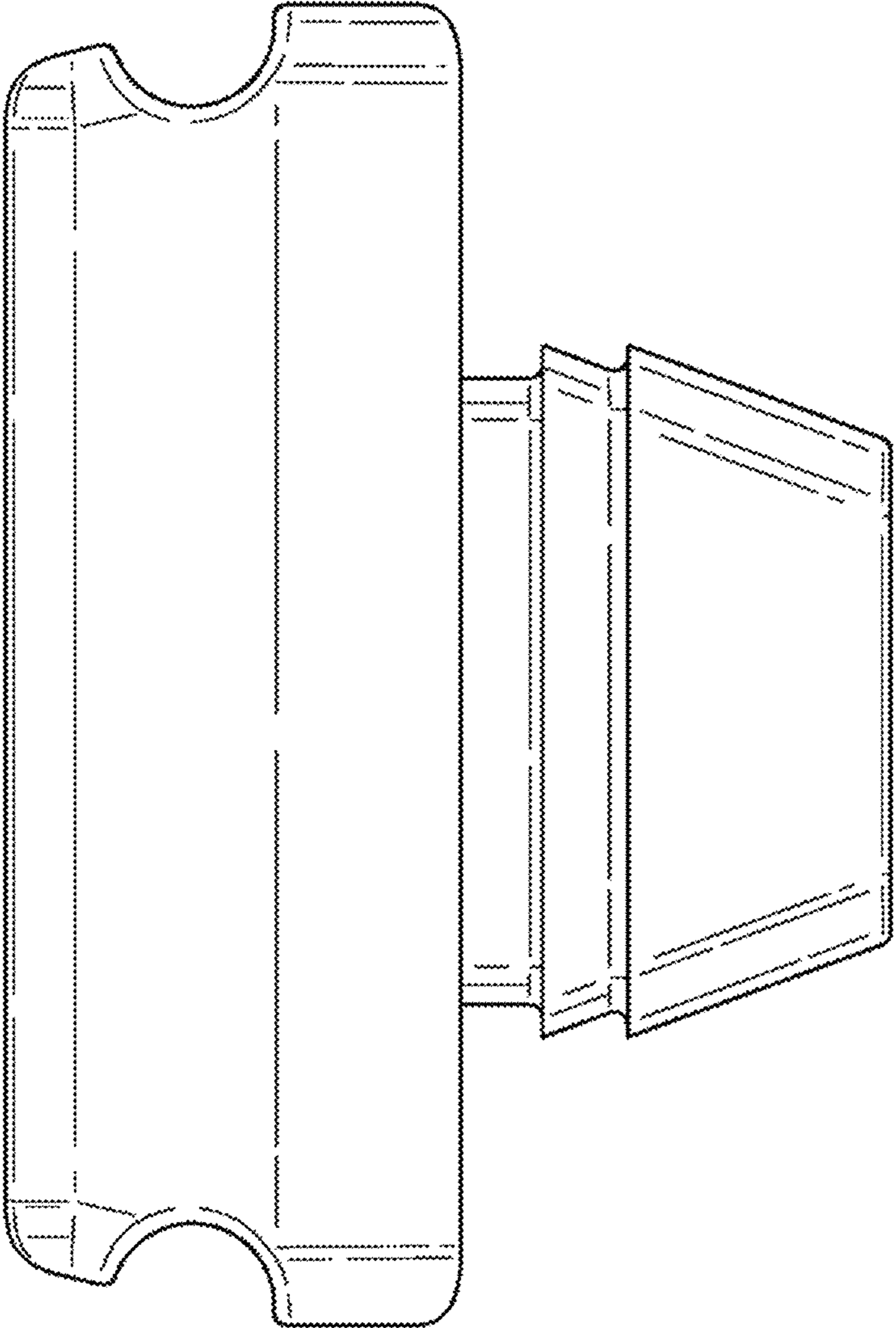


Figure 2

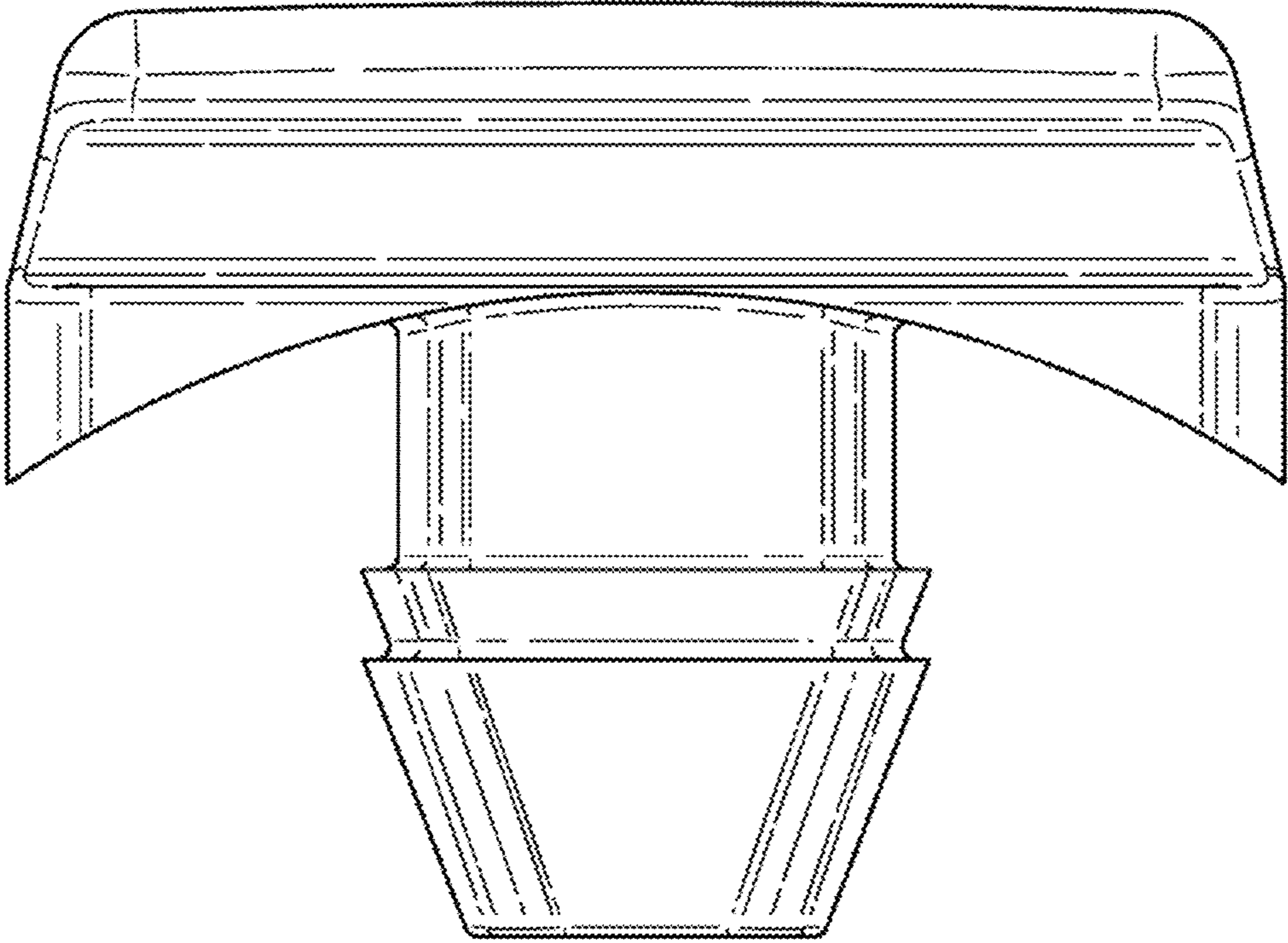


Figure 3

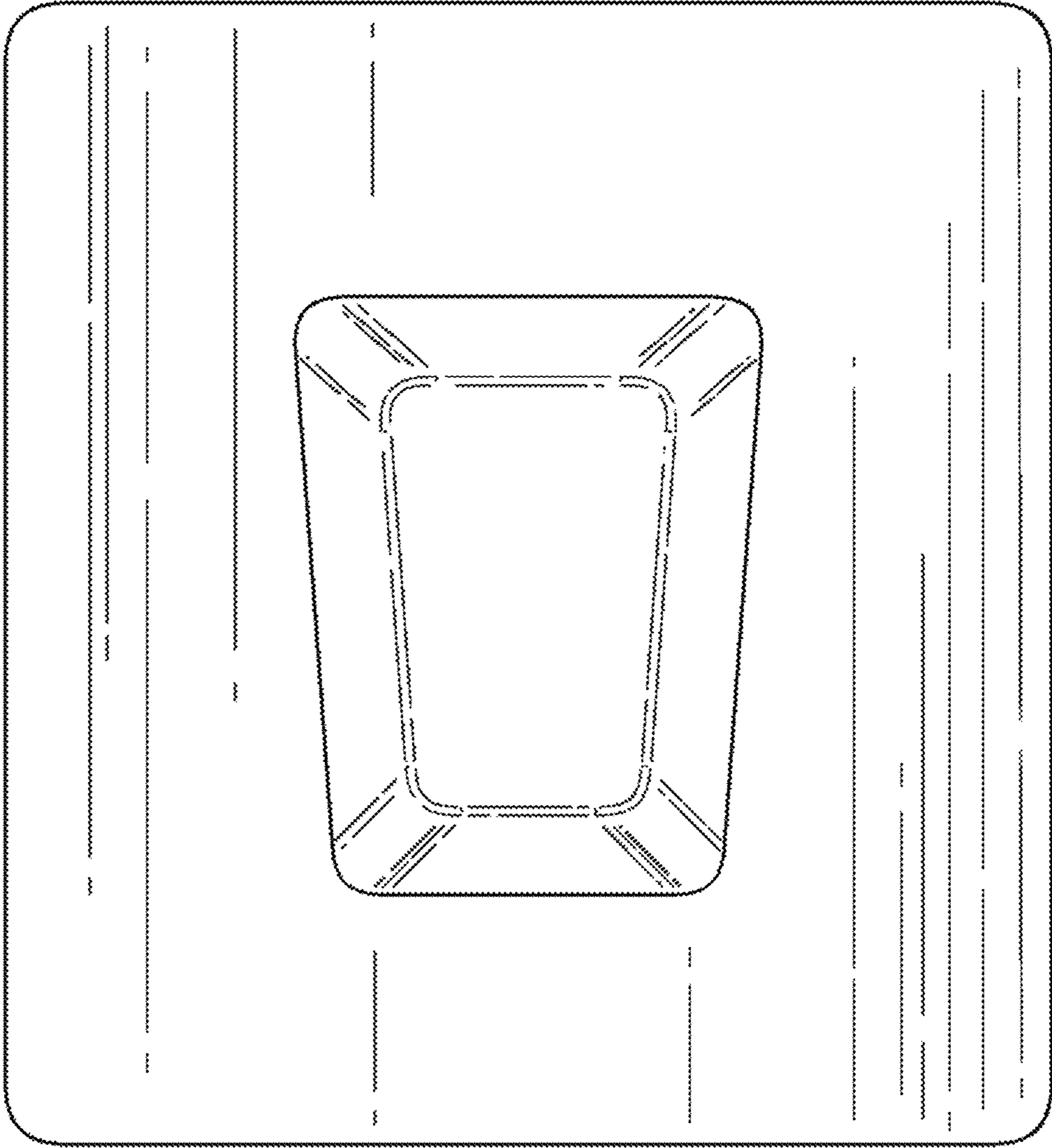


Figure 4

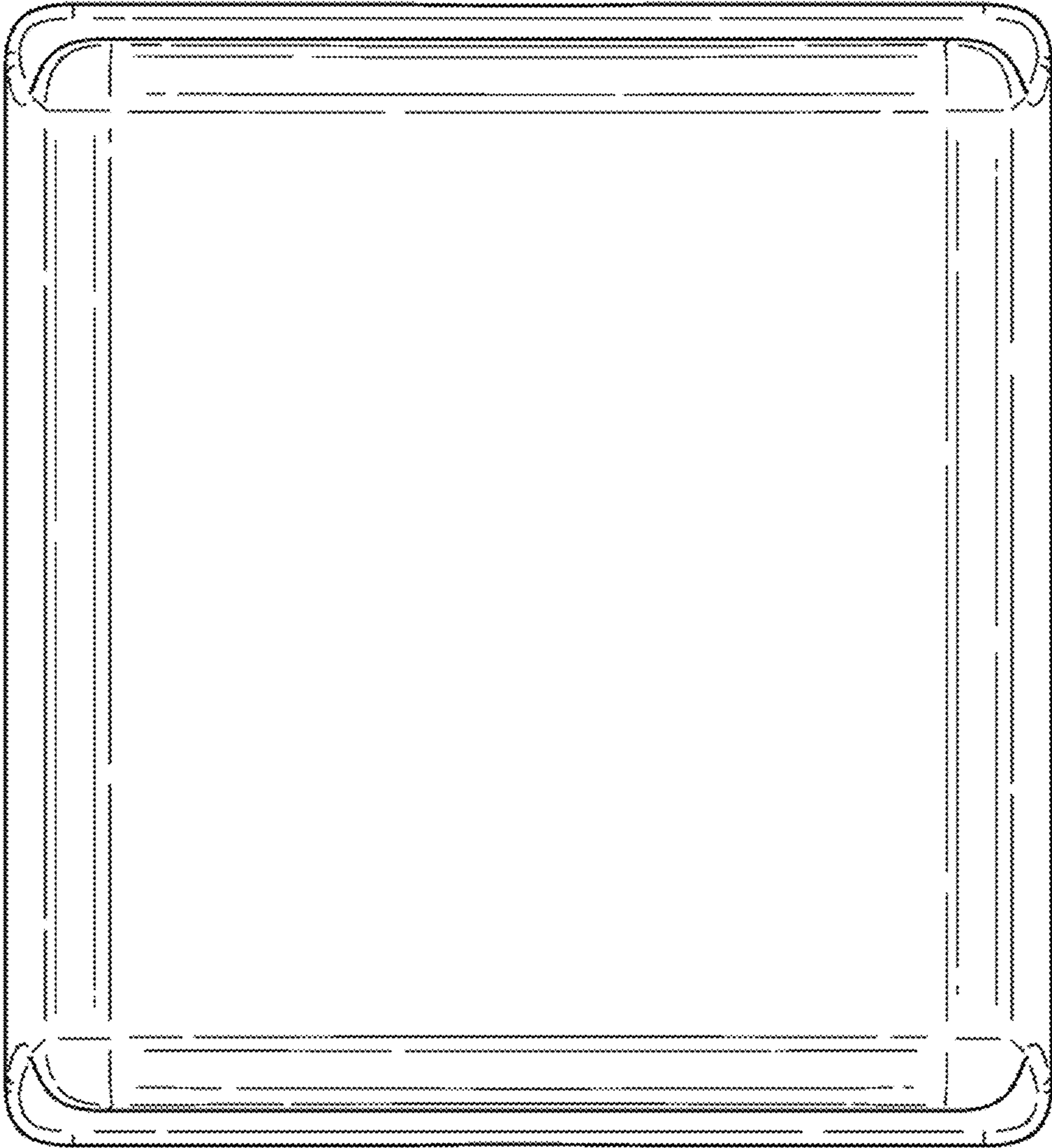


Figure 5

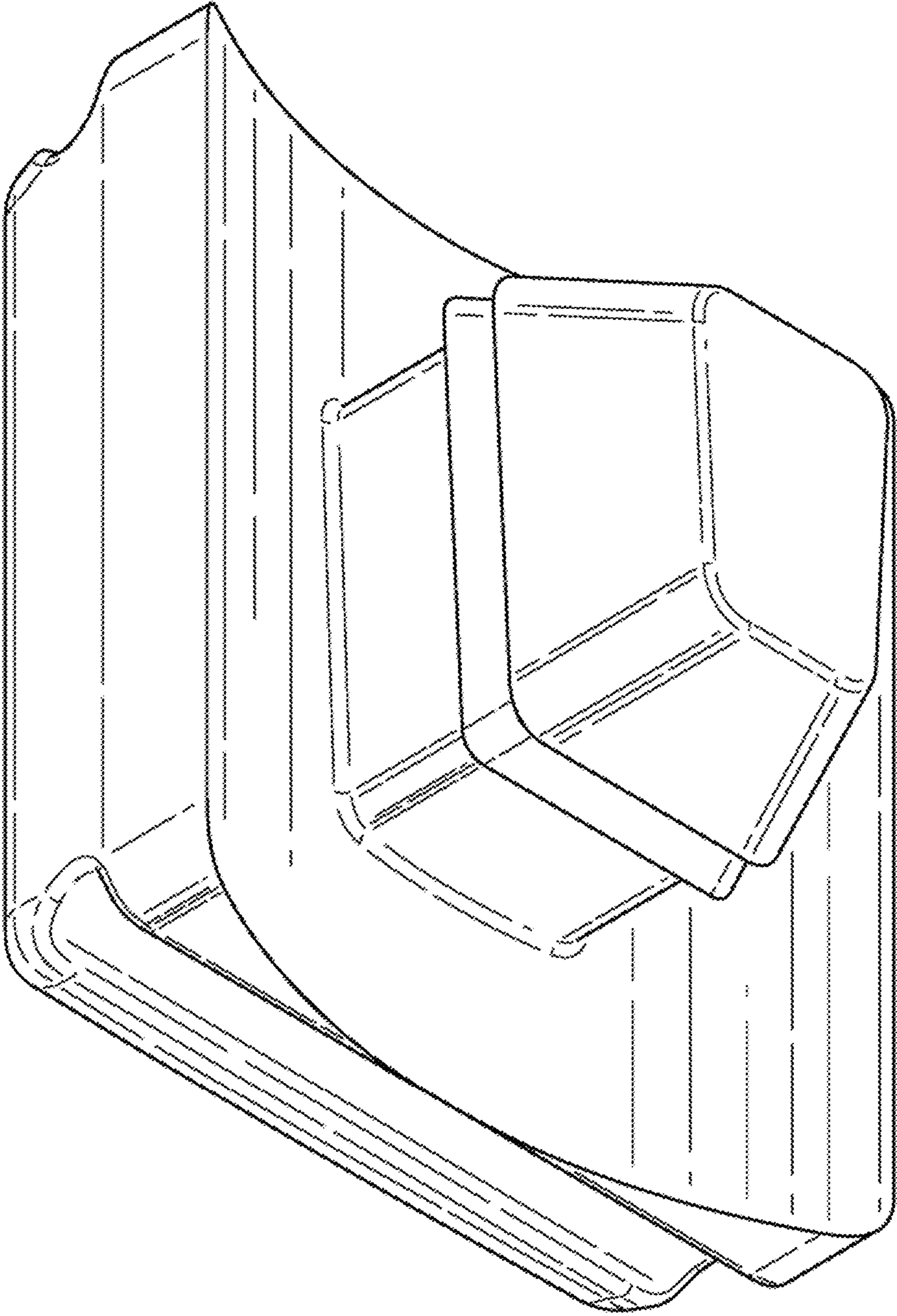


Figure 6