



US00D898550S

(12) **United States Design Patent**
Lane

(10) **Patent No.:** **US D898,550 S**

(45) **Date of Patent:** **** Oct. 13, 2020**

(54) **ELECTRICAL WIRE BRIDLE**

(71) Applicant: **Mitchel N. Lane**, Council Bluffs, IA
(US)

(72) Inventor: **Mitchel N. Lane**, Council Bluffs, IA
(US)

(**) Term: **15 Years**

(21) Appl. No.: **29/659,950**

(22) Filed: **Aug. 14, 2018**

(51) **LOC (12) Cl.** **08-08**

(52) **U.S. Cl.**
USPC **D8/349**

(58) **Field of Classification Search**
USPC D6/672, 684, 680, 683.1, 703.5; D8/349,
D8/354, 355, 330, 331, 333, 380, 382
CPC .. E04B 1/2604; E04B 2001/2644; F16B 7/18;
F16B 37/145; Y10T 403/4602; Y10T
403/4674; Y10T 403/3906
See application file for complete search history.

(56) **References Cited**

U.S. PATENT DOCUMENTS

D290,670 S *	7/1987	Nathan	D20/8
D467,451 S *	12/2002	High	D8/349
D598,219 S *	8/2009	Sparks, Jr.	D8/349
D736,594 S *	8/2015	Zurn	D8/349
D751,884 S *	3/2016	Morris	D3/210
D769,698 S *	10/2016	Oltrogge	D8/349
D793,581 S *	8/2017	Hebert	D25/68

D794,979 S *	8/2017	Centracchio	D22/147
D811,124 S *	2/2018	Chou	D6/580
D839,078 S *	1/2019	Stahl	D8/349
D845,244 S *	4/2019	Andersson	D13/139.2

* cited by examiner

Primary Examiner — Mark A Goodwin

Assistant Examiner — Benjamin M Weeks

(74) *Attorney, Agent, or Firm* — Dennis L. Thomte;
Thomte Patent Law Office LLC

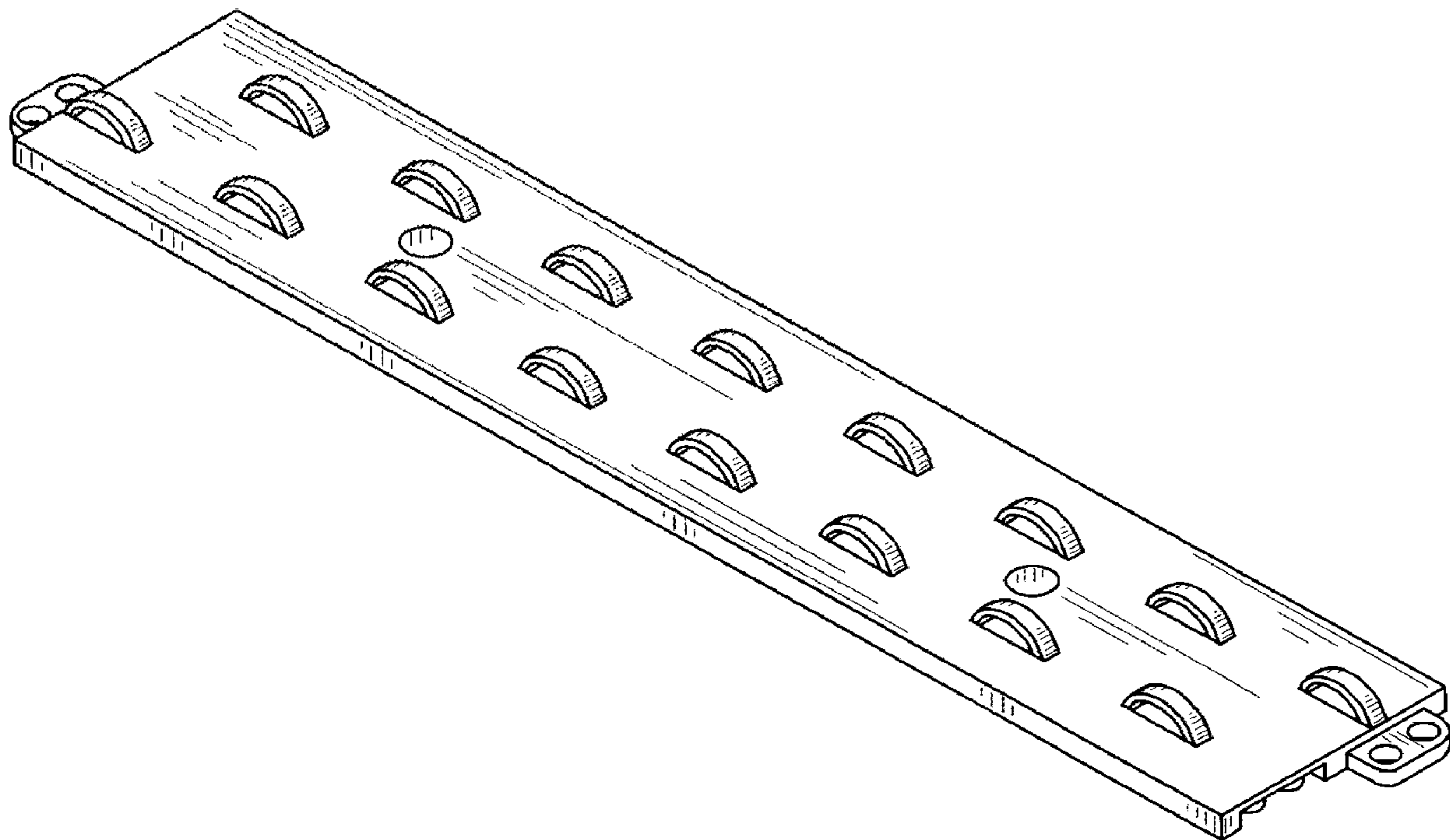
(57) **CLAIM**

The ornamental design for an electrical wire bridle, as shown and described.

DESCRIPTION

FIG. 1 is a perspective view of the electrical wire bridle showing my new design;
FIG. 2 is a top view of the electrical wire bridle of this invention;
FIG. 3 is a front view of the electrical wire bridle of this invention;
FIG. 4 is a side view of the electrical wire bridle of this invention;
FIG. 5 is a back view of the electrical wire bridle of this invention;
FIG. 6 is an opposite side view of the electrical wire bridle thereof; and,
FIG. 7 is a bottom view of the electrical wire bridle thereof.

1 Claim, 3 Drawing Sheets



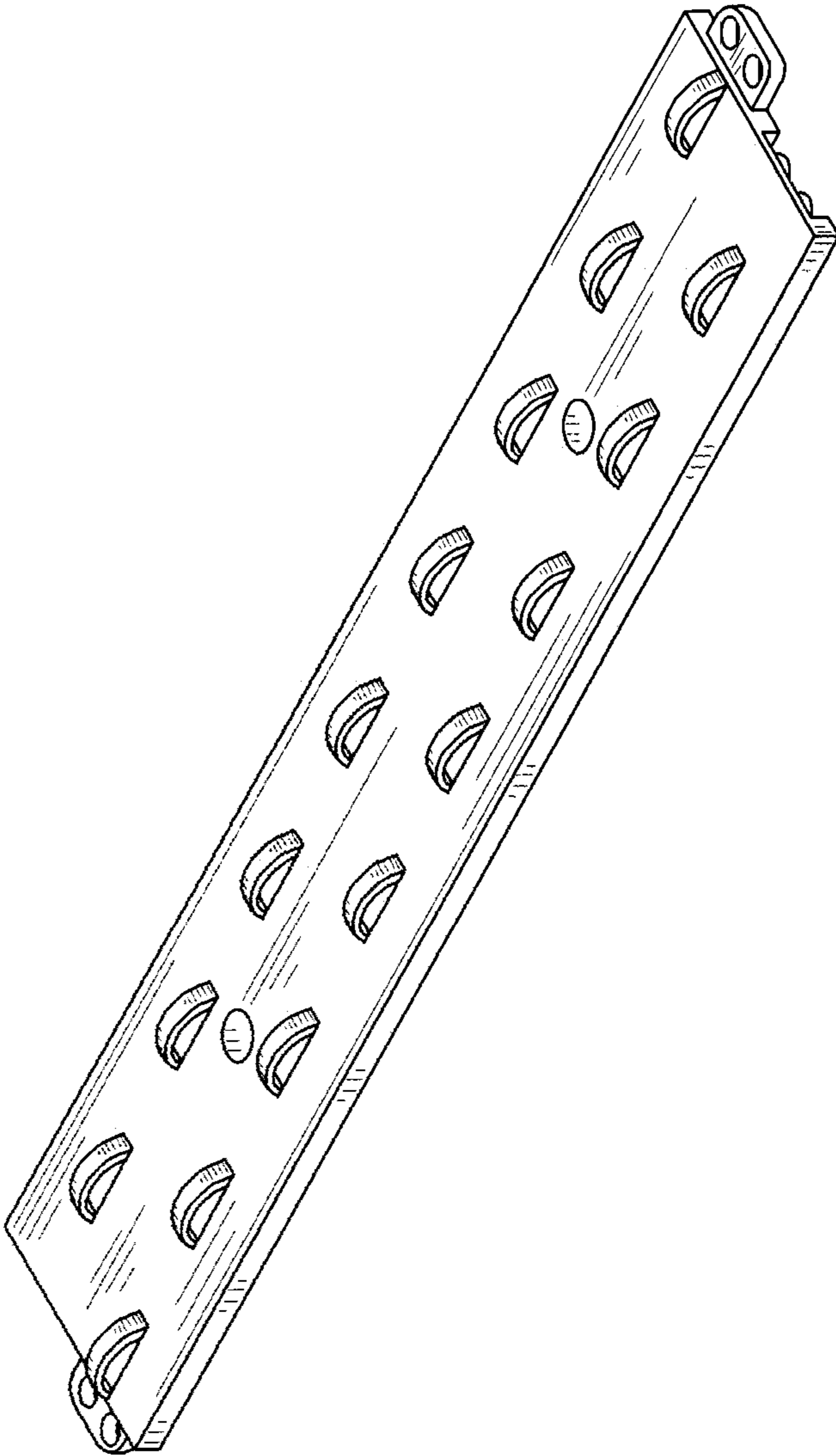


FIG. 1

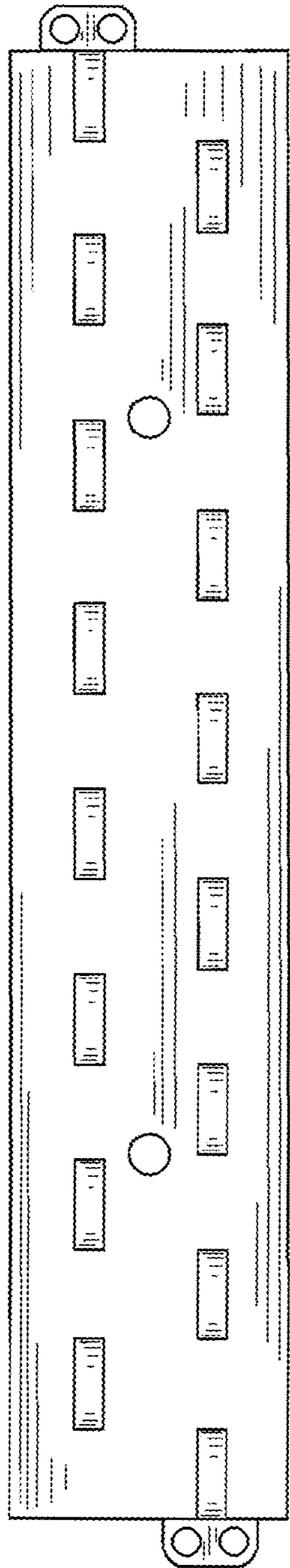


FIG. 2



FIG. 4



FIG. 3



FIG. 6



FIG. 5

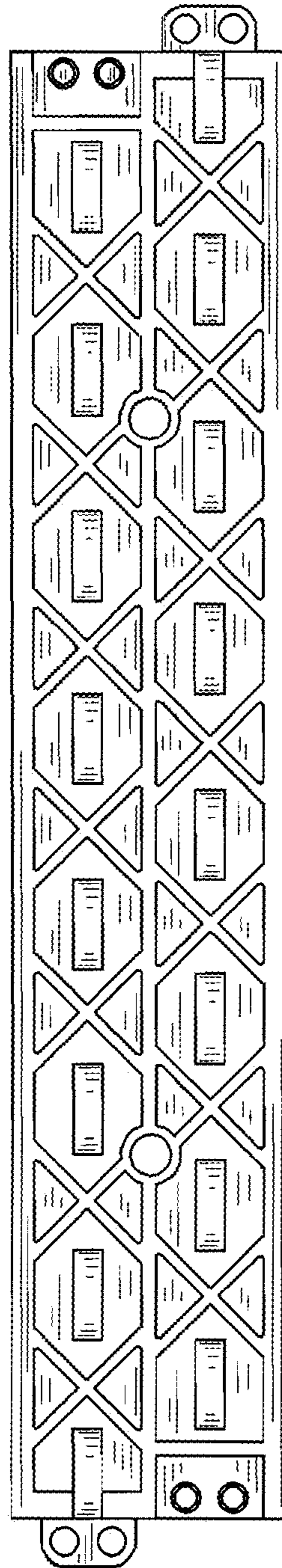


FIG. 7