



US00D898549S

(12) **United States Design Patent**
Nicoara et al.

(10) **Patent No.:** **US D898,549 S**
(45) **Date of Patent:** **** Oct. 13, 2020**

- (54) **KEY**
- (71) Applicant: **Rav Bariach (08) Industries Ltd.,**
Ashkelon (IL)
- (72) Inventors: **Peter Nicoara,** Ashdod (IL); **Eran Goldstein,** Givatayin (IL)
- (73) Assignee: **RAV BARIACH (08) INDUSTRIES LTD.,** Ashkelon (IL)
- (**) Term: **15 Years**
- (21) Appl. No.: **29/660,205**
- (22) Filed: **Aug. 18, 2018**
- (30) **Foreign Application Priority Data**
Feb. 20, 2018 (IL) 61681
- (51) **LOC (12) Cl.** **08-07**
- (52) **U.S. Cl.**
USPC **D8/347**
- (58) **Field of Classification Search**
USPC D8/347
CPC .. E05B 19/24; E05B 19/0017; E05B 19/0041;
E05B 19/0052; E05B 19/0058; E05B
19/00
See application file for complete search history.
- (56) **References Cited**
U.S. PATENT DOCUMENTS
4,235,087 A * 11/1980 Bianchi B29C 45/1671
70/395
D357,852 S * 5/1995 Shen D8/347

- D370,168 S * 5/1996 Widen D8/347
- 7,370,501 B2 * 5/2008 Miyata E05B 19/043
70/395
- D702,527 S * 4/2014 Yashar D8/347
- 9,243,426 B2 * 1/2016 Gerlings E05B 19/0017
- 9,328,531 B1 * 5/2016 Smeikle B60R 25/102
- 9,739,075 B2 * 8/2017 Baki B22D 21/025

* cited by examiner

Primary Examiner — Doris Clark

(74) *Attorney, Agent, or Firm* — The IP Law Firm of Guy Levi, LLC

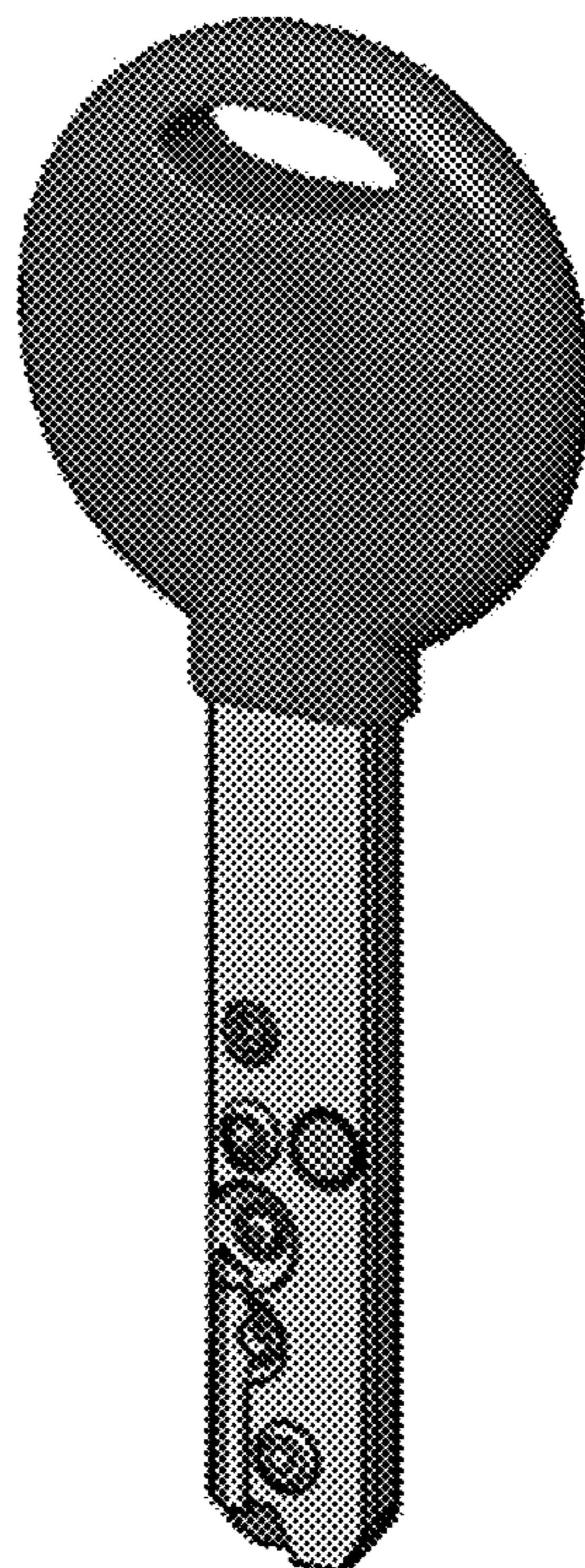
(57) **CLAIM**

We claim, the ornamental design for a key, as shown and described.

DESCRIPTION

FIG. 1 shows a top left perspective of a key showing our new design;
 FIG. 2, shows a front elevation view thereof, the rear view being a mirror image of that shown;
 FIG. 3, shows a top plan view thereof;
 FIG. 4, shows a bottom plan view thereof; and,
 FIG. 5, shows a left elevation view thereof, the right side being a mirror image of that shown.

1 Claim, 2 Drawing Sheets



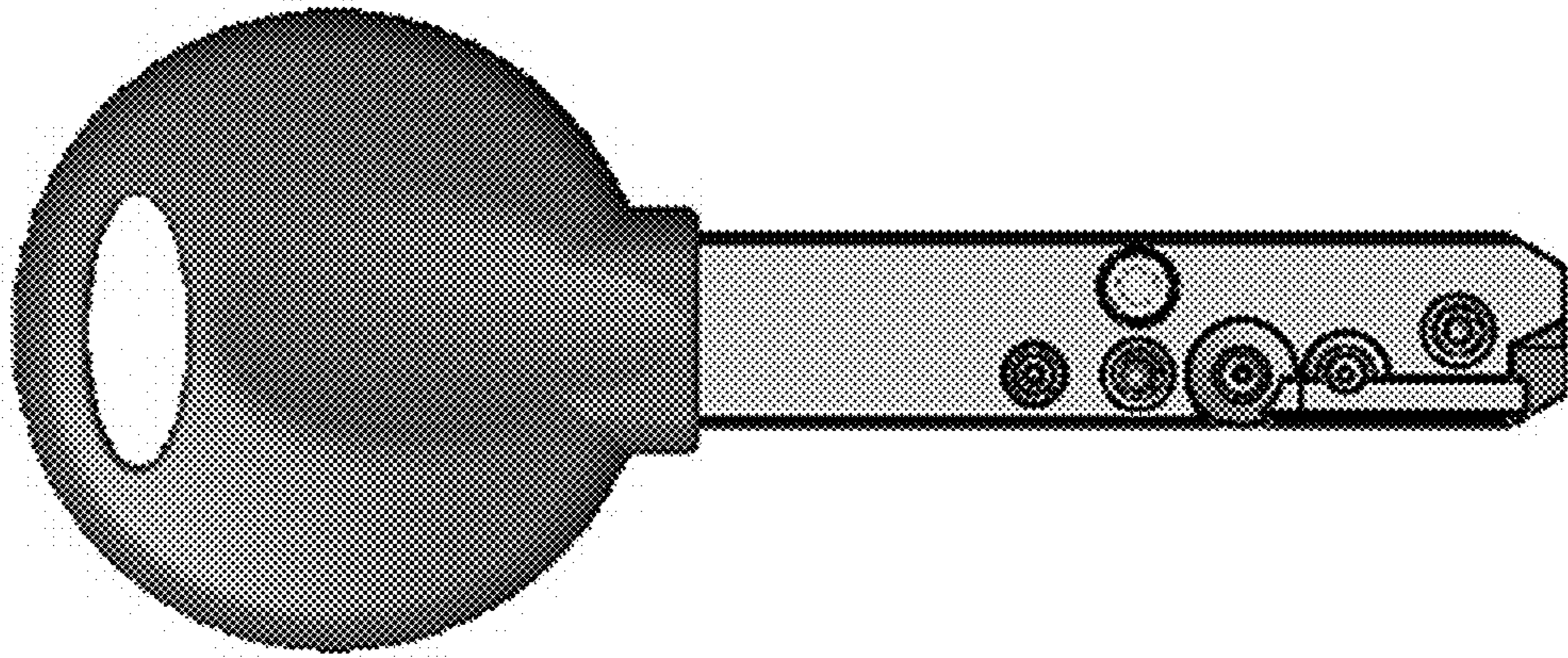


FIG. 1

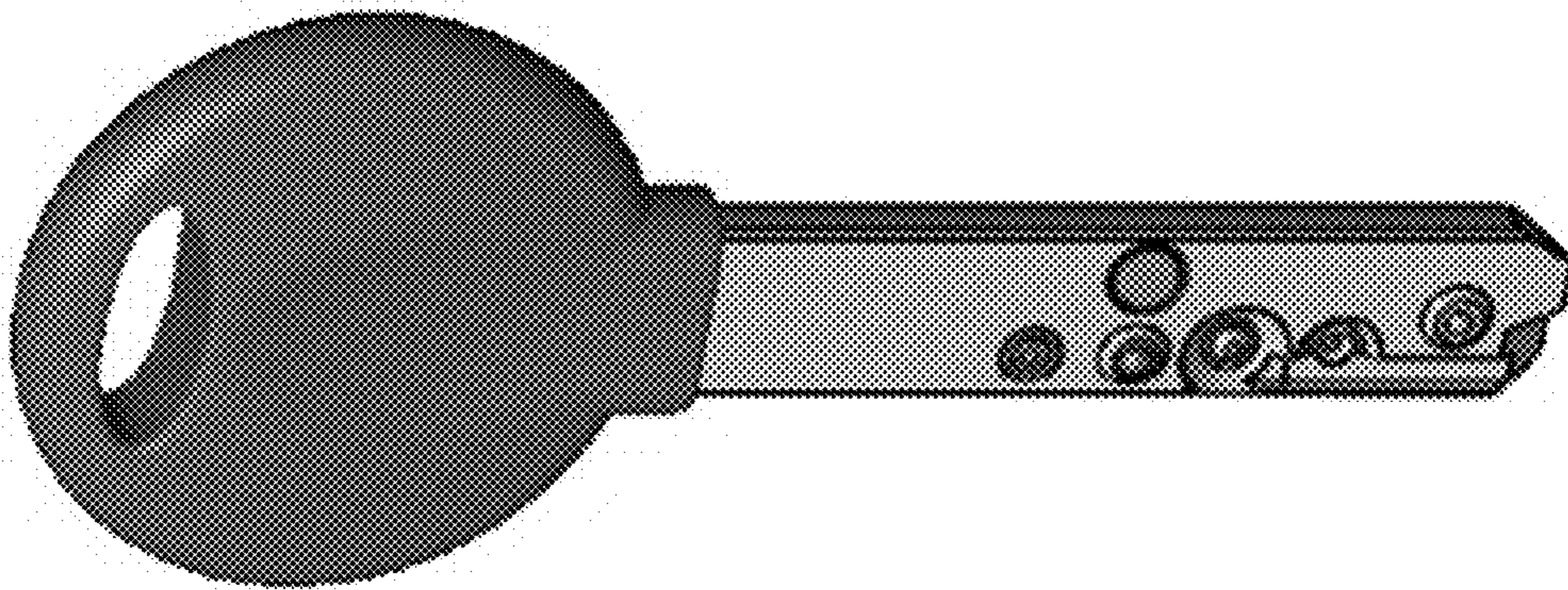


FIG. 2

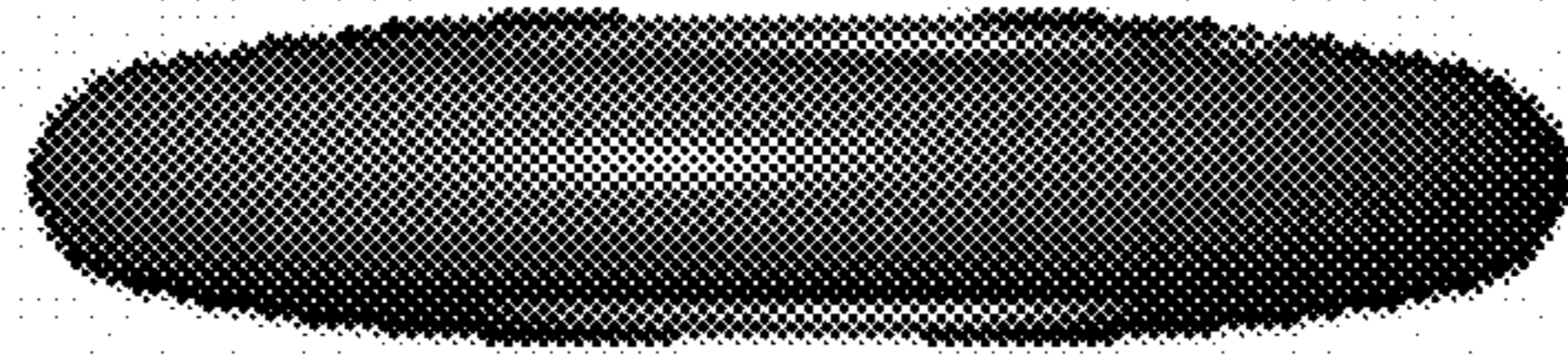


FIG. 3



FIG. 4

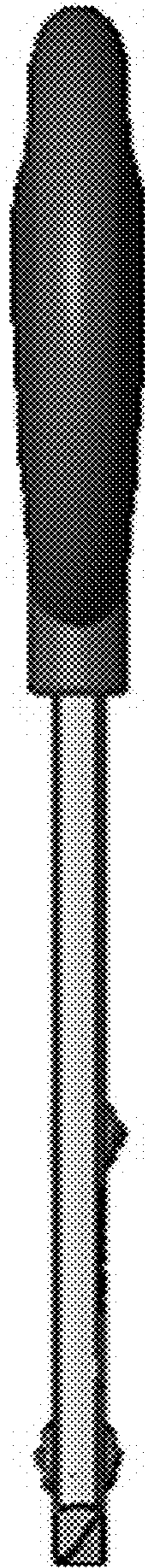


FIG. 5