



US00D898547S

(12) **United States Design Patent** (10) **Patent No.:** **US D898,547 S**
Xu (45) **Date of Patent:** **** Oct. 13, 2020**

(54) **SMART PADLOCK**
(71) Applicant: **SHANGHAI ADELANTE CO., LTD,**
Shanghai (CN)
(72) Inventor: **Qinwu Xu,** Shanghai (CN)
(73) Assignee: **SHANGHAI ADELANTE CO., LTD,**
Shanghai (CN)

(**) Term: **15 Years**

(21) Appl. No.: **29/684,558**

(22) Filed: **Mar. 22, 2019**

(30) **Foreign Application Priority Data**

Nov. 26, 2018 (CN) 2018 3 0675155

(51) **LOC (12) Cl.** **08-07**

(52) **U.S. Cl.**
USPC **D8/334; D8/333**

(58) **Field of Classification Search**
USPC D8/330-349, 382, 383, 394-396;
70/14-28, 57, 57.1, 58, 141-143, 114,
70/158, 224, 226, 431, 465; 292/299,
292/307 R; 24/16 R, 17 B
CPC E05B 69/003; E05B 71/00; E05B 73/005;
E05B 17/142; E05B 37/0068; E05B
37/025; E05B 37/08; E05B 37/063; E05B
67/22; E05B 67/24; E05B 67/28; E05B
67/32; E05B 67/36; E05B 67/365; E05B
67/38; E05B 67/383; E05B 37/004; B62H
5/001

See application file for complete search history.

(56) **References Cited**

U.S. PATENT DOCUMENTS

D436,015 S * 1/2001 Yu D8/333
D448,273 S * 9/2001 Lai D20/27
D450,560 S * 11/2001 Yu E05B 37/025
D8/333

6,719,335 B2 * 4/2004 Velschou G09F 3/0352
292/307 R
D557,106 S * 12/2007 Kuwayama D8/333
D606,440 S * 12/2009 Sayegh D10/106.94
D691,457 S * 10/2013 Wang D8/334
9,228,377 B1 * 1/2016 Chang B62J 6/04
D880,325 S * 4/2020 Xu D10/106.94
2006/0170550 A1 * 8/2006 Marsilio G08B 13/2434
340/568.2
2007/0180873 A1 * 8/2007 Yen E05B 73/0005
70/63

(Continued)

OTHER PUBLICATIONS

XOOL, TSA Approved Luggage Locks with Steel Cable 4 Digit
Combination Lock with Inspection Indicator Keyless Padlock, Date
first available May 7, 2019, [online]retrieved Aug. 6, 2020, avail-
able from internet, www.amazon.com (Year: 2019).*

(Continued)

Primary Examiner — Keli L Hill

Assistant Examiner — Sara S Sahneh

(74) *Attorney, Agent, or Firm* — Bayramoglu Law Offices
LLC

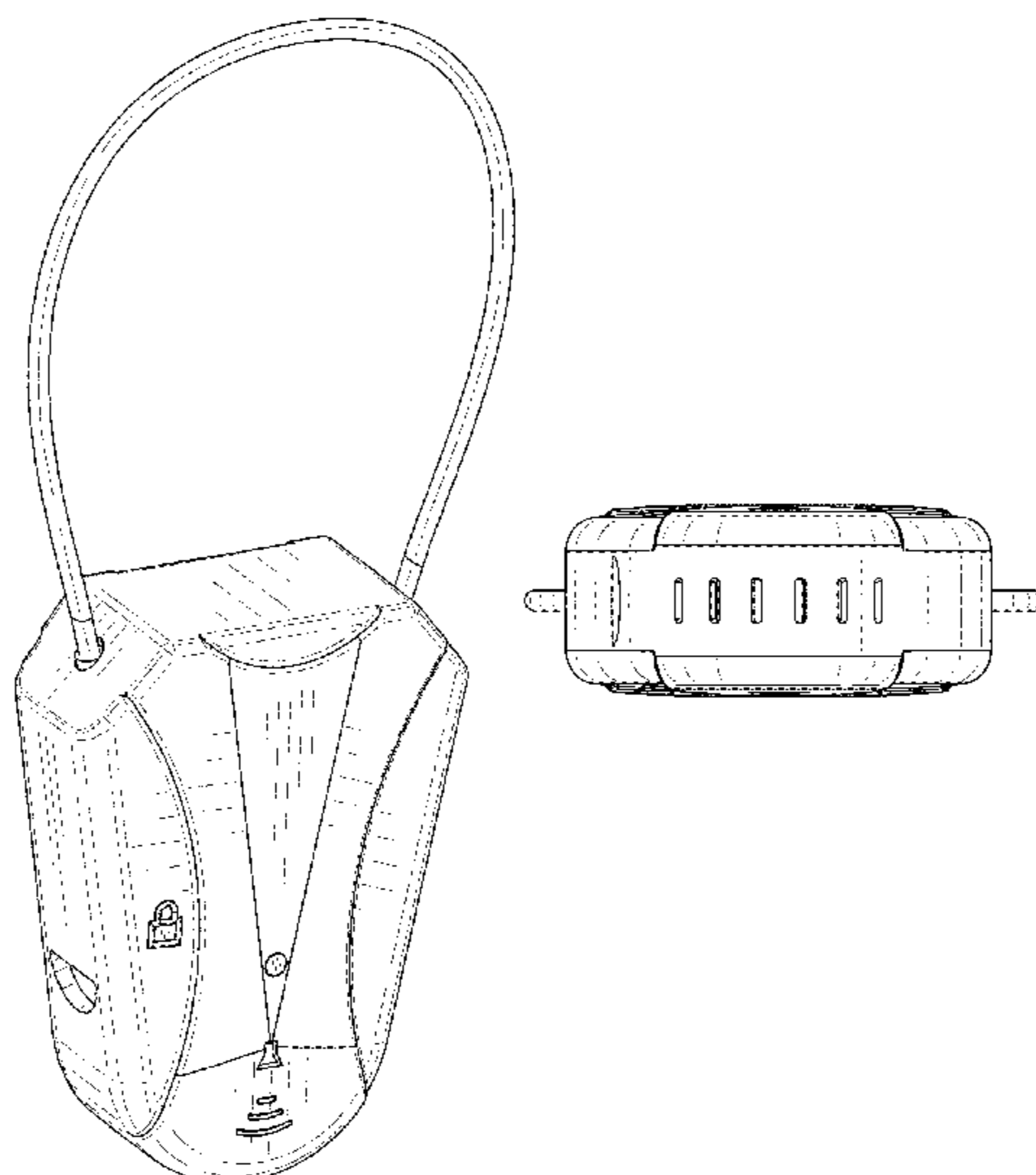
(57) **CLAIM**

The ornamental design for a smart padlock, as shown and
described.

DESCRIPTION

FIG. 1 is a perspective view of a smart padlock showing the
new design;
FIG. 2 is a front elevation view thereof;
FIG. 3 is a rear elevation view thereof;
FIG. 4 is a left side view thereof;
FIG. 5 is a right side view thereof;
FIG. 6 is a top plan view thereof; and,
FIG. 7 is a bottom plan view thereof.
The rear view is a mirror image of the front view, and the
rear side has a structure identical to the front side.

1 Claim, 7 Drawing Sheets



(56)

References Cited

U.S. PATENT DOCUMENTS

2016/0304134 A1* 10/2016 Boesel E05B 67/063

OTHER PUBLICATIONS

Pelican, 1500-518-000 1506 TSA Lock, Date first available Jun. 30, 2017, [online]retrieved Aug. 6, 2020, available from internet, www.amazon.com (Year: 2017).*

* cited by examiner

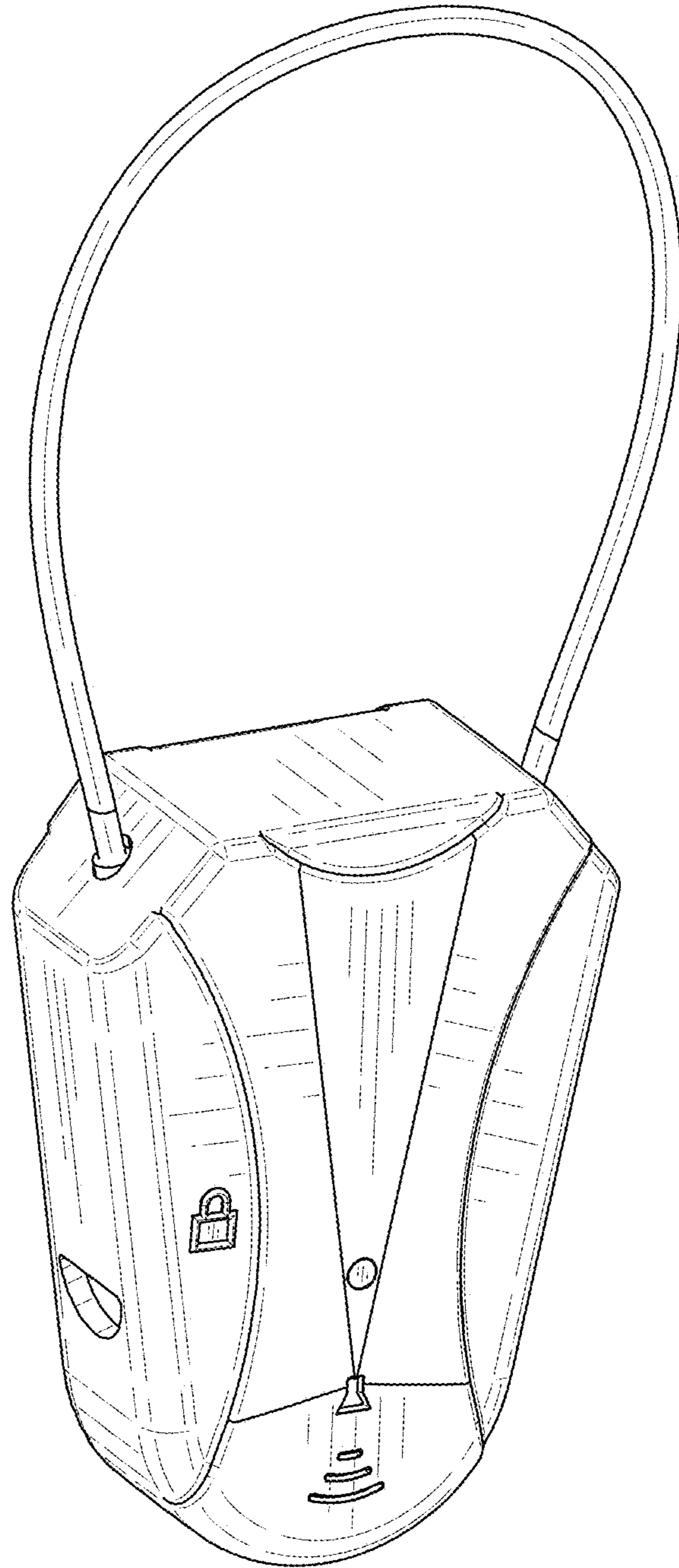


FIG. 1

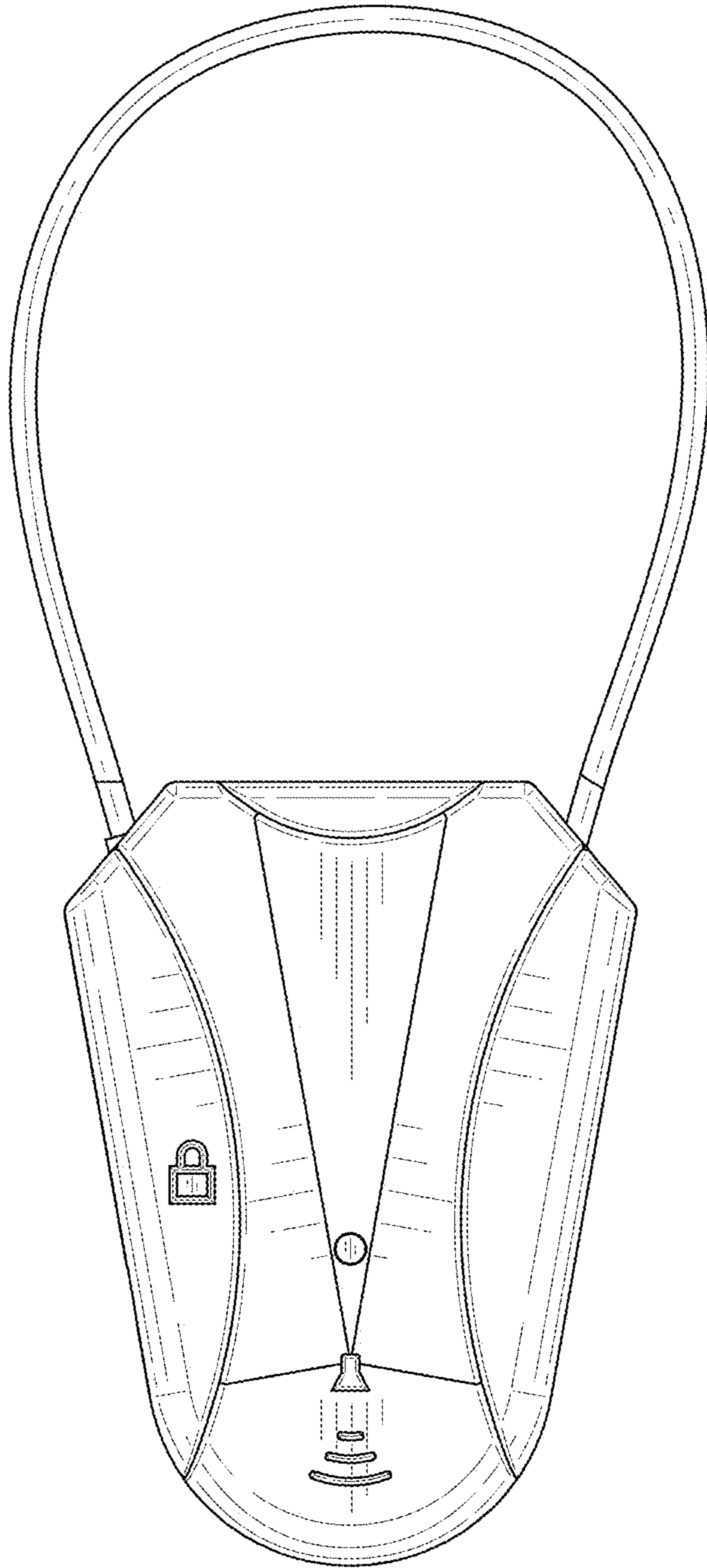


FIG. 2

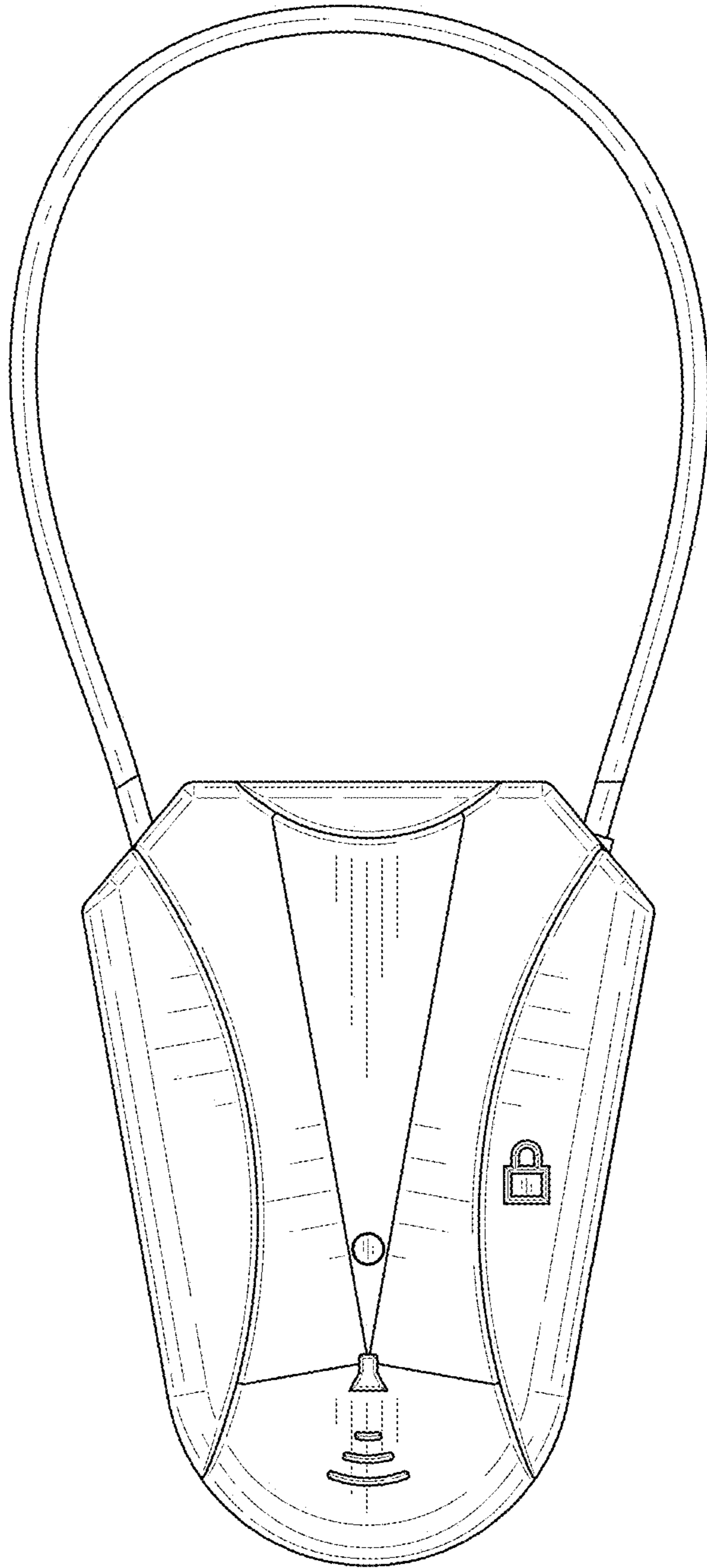


FIG. 3

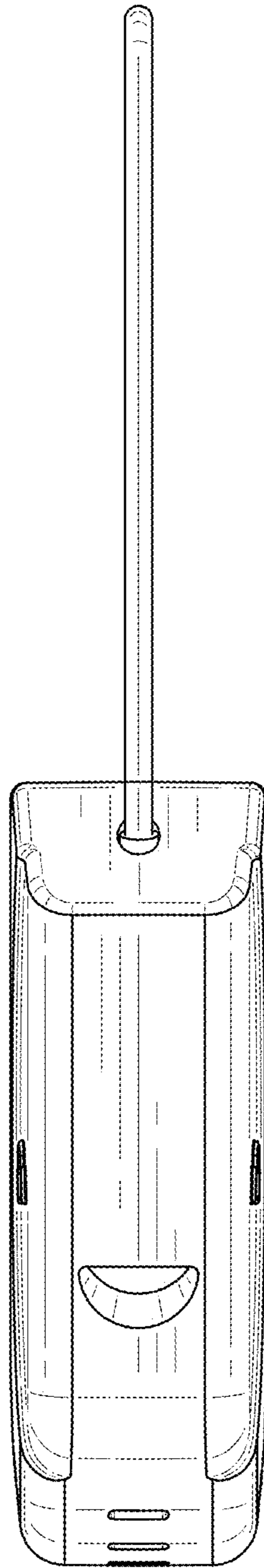


FIG. 4

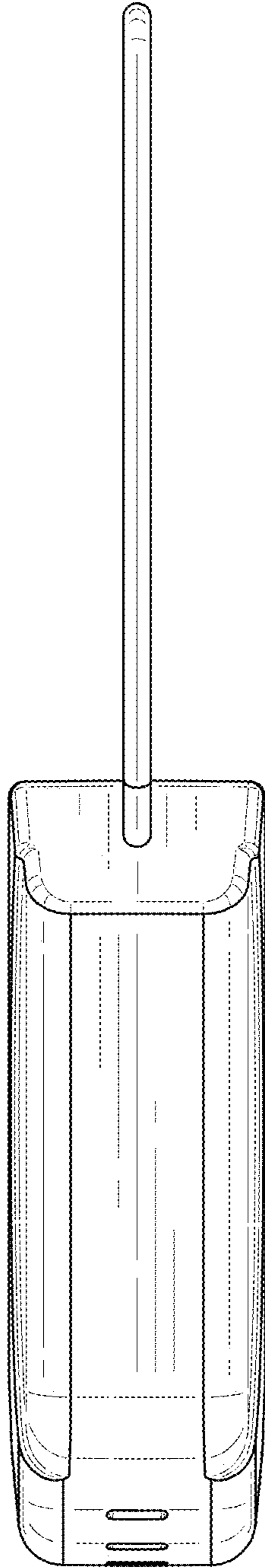


FIG. 5

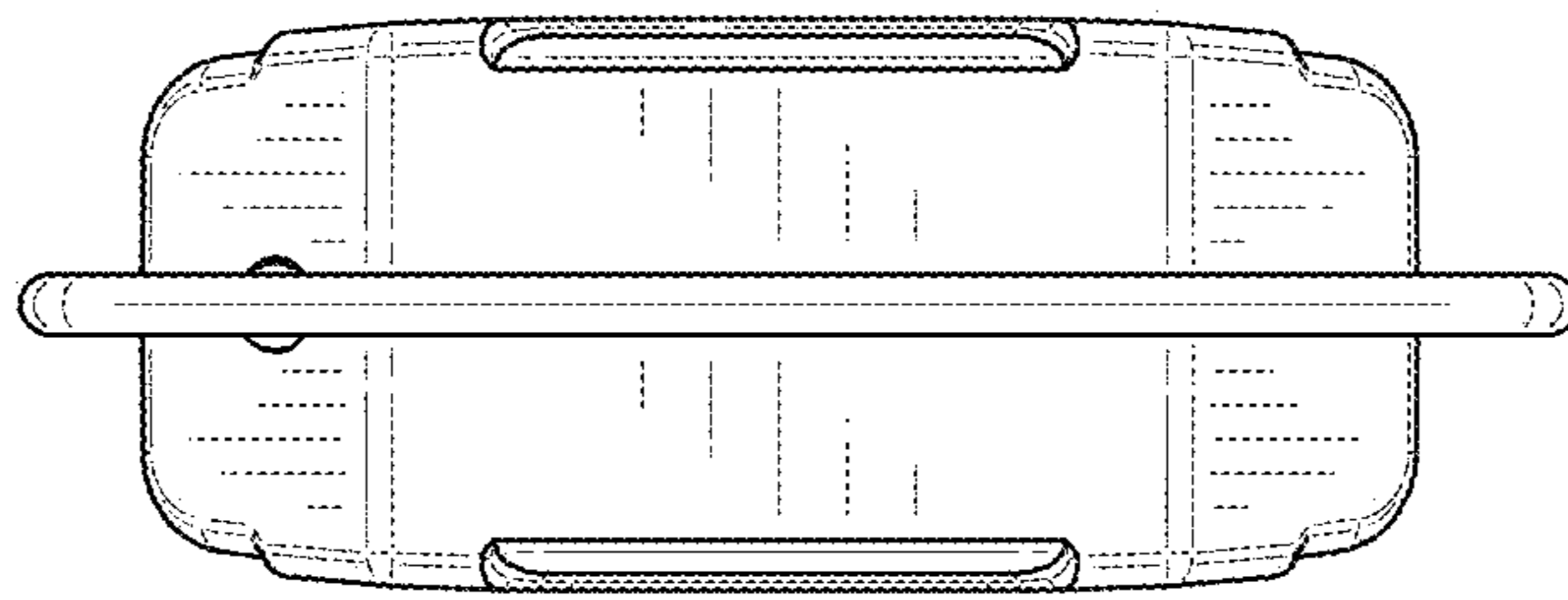


FIG. 6

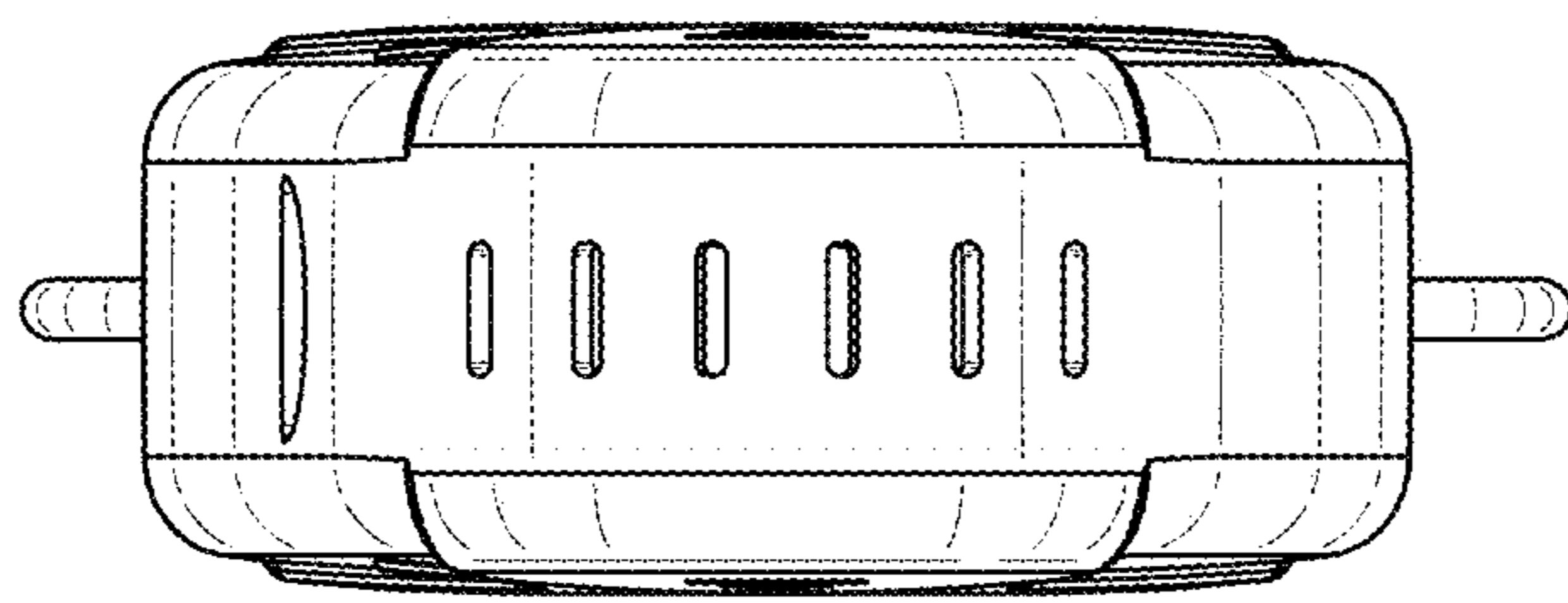


FIG. 7