

US00D898546S

(12) **United States Design Patent**
Tonelli

(10) **Patent No.:** **US D898,546 S**

(45) **Date of Patent:** **** Oct. 13, 2020**

(54) **LOCKING AND UNLOCKING DEVICE**

D778,707 S * 2/2017 Tonelli D8/330
10,174,531 B2 * 1/2019 Ro E05B 17/0045
10,202,238 B2 * 2/2019 Reeb B65F 1/1615

(71) Applicant: **G.T. LINE S.R.L.**, Valsamoggia (IT)

* cited by examiner

(72) Inventor: **Massimo Tonelli**, Bologna (IT)

Primary Examiner — Doris Clark

(73) Assignee: **G.T. LINE S.R.L.**, Bologna (IT)

(74) *Attorney, Agent, or Firm* — Cantor Colburn LLP

(**) Term: **15 Years**

(57) **CLAIM**

(21) Appl. No.: **29/661,774**

I claim, the ornamental design for a locking and unlocking device, as shown and described.

(22) Filed: **Aug. 30, 2018**

DESCRIPTION

(30) **Foreign Application Priority Data**

Mar. 2, 2018 (EM) 004736445

(51) **LOC (12) Cl.** **08-07**

(52) **U.S. Cl.**
USPC **D8/330**

(58) **Field of Classification Search**
USPC D8/330, 331
CPC . A45C 13/18; A45C 2013/1015; E05C 19/10;
E05C 19/105

See application file for complete search history.

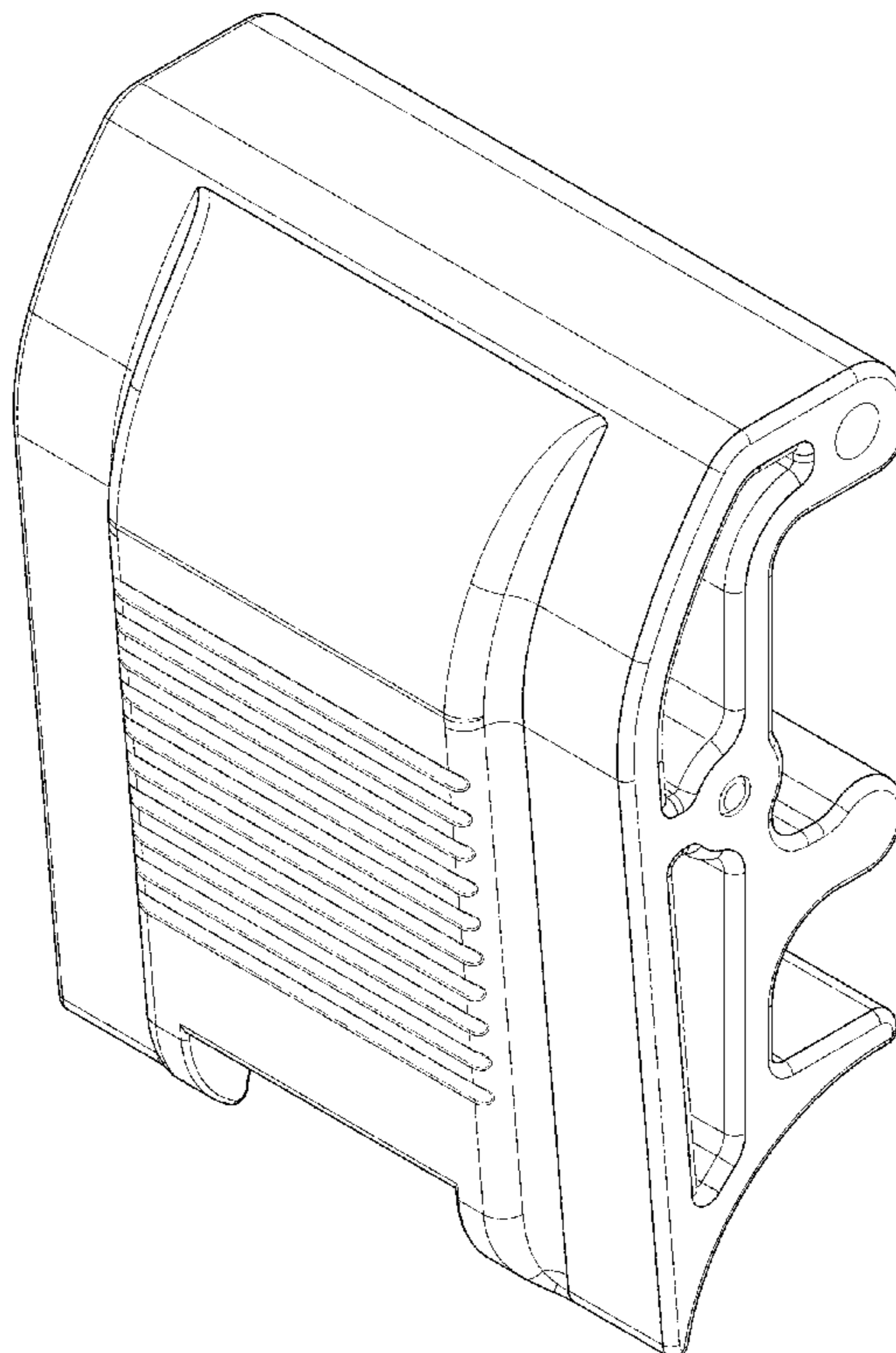
FIG. 1 is a front perspective view of a locking and unlocking device showing my new design;
FIG. 2 is a rear perspective view thereof;
FIG. 3 is a front elevational view thereof;
FIG. 4 is a rear elevational view thereof;
FIG. 5 is a left side elevational view thereof;
FIG. 6 is a top plan view thereof;
FIG. 7 is a bottom plan view thereof;
FIG. 8 is a right side elevational view thereof;
FIG. 9 is a front perspective view of another embodiment thereof;
FIG. 10 is a rear perspective view thereof;
FIG. 11 is a front elevational view thereof;
FIG. 12 is a rear elevational view thereof;
FIG. 13 is a left side elevational view thereof;
FIG. 14 is a top plan view thereof;
FIG. 15 is a bottom plan view thereof; and,
FIG. 16 is a right side elevational view thereof.

(56) **References Cited**

U.S. PATENT DOCUMENTS

8,287,009 B2 * 10/2012 Dane A61L 2/26
292/125
8,876,171 B2 * 11/2014 Schendel E05B 41/00
292/116
9,199,370 B2 * 12/2015 Crull B65D 45/16
D756,746 S * 5/2016 Liang D8/331

1 Claim, 16 Drawing Sheets



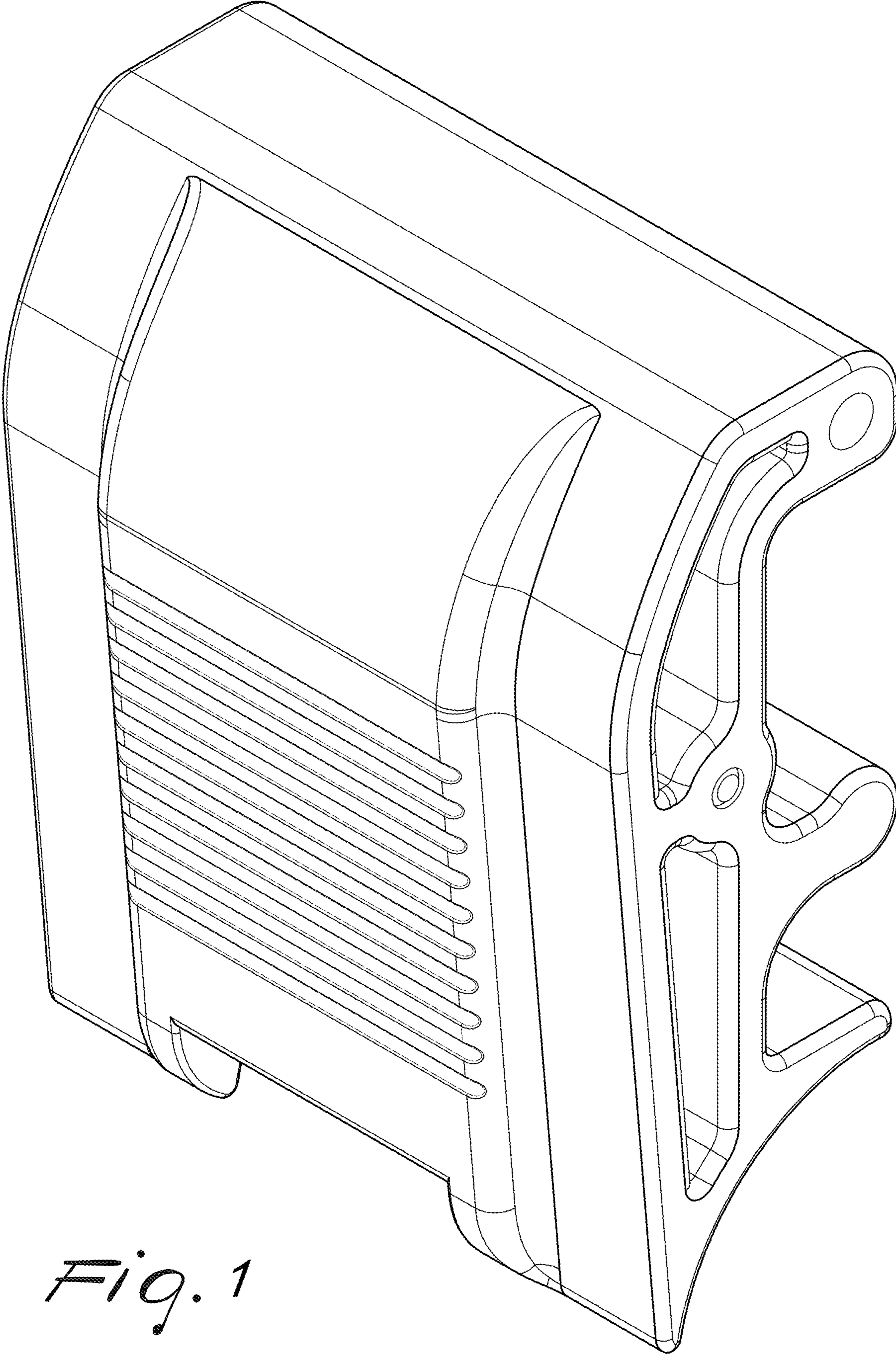


Fig. 1

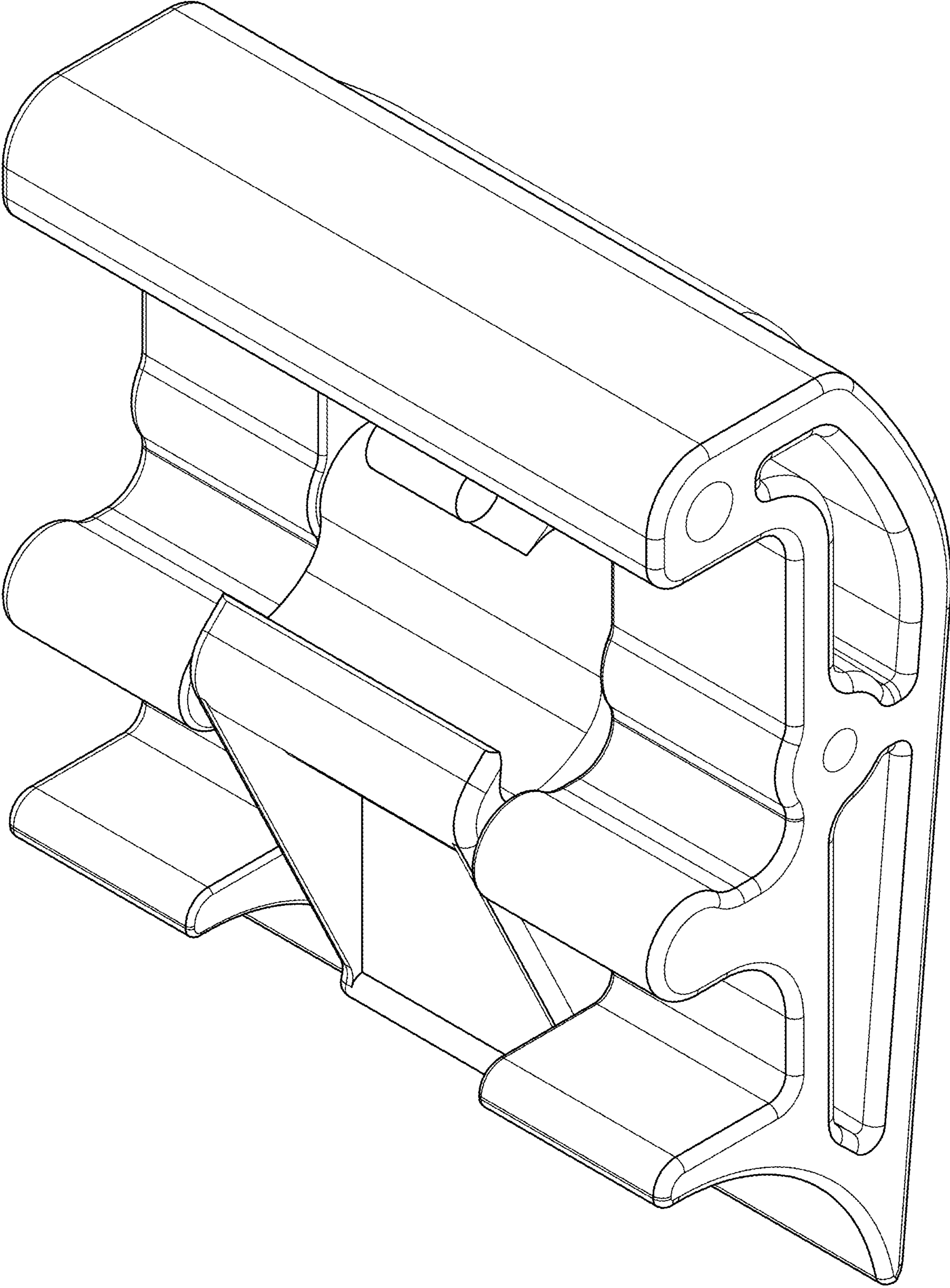


Fig. 2

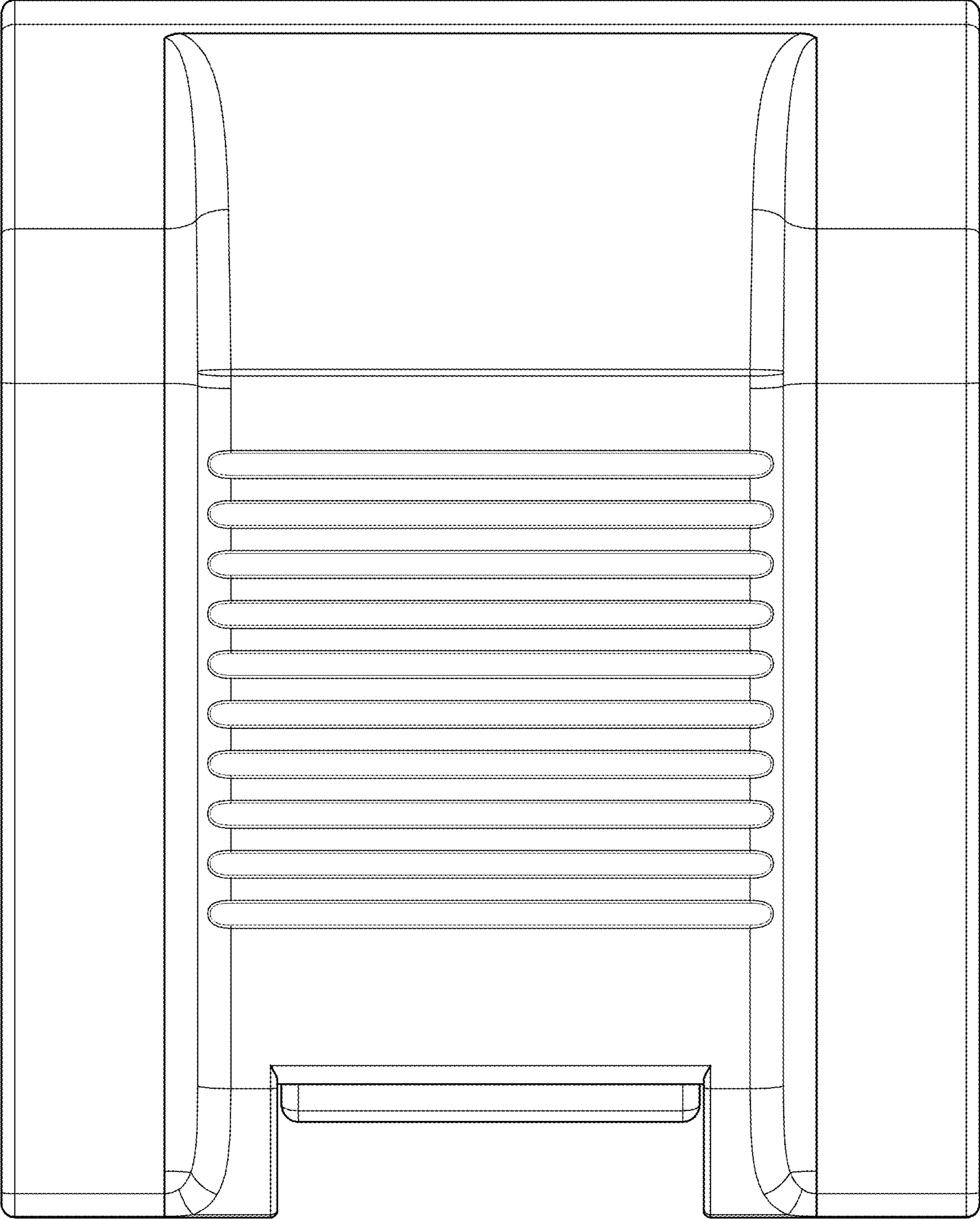


Fig. 3

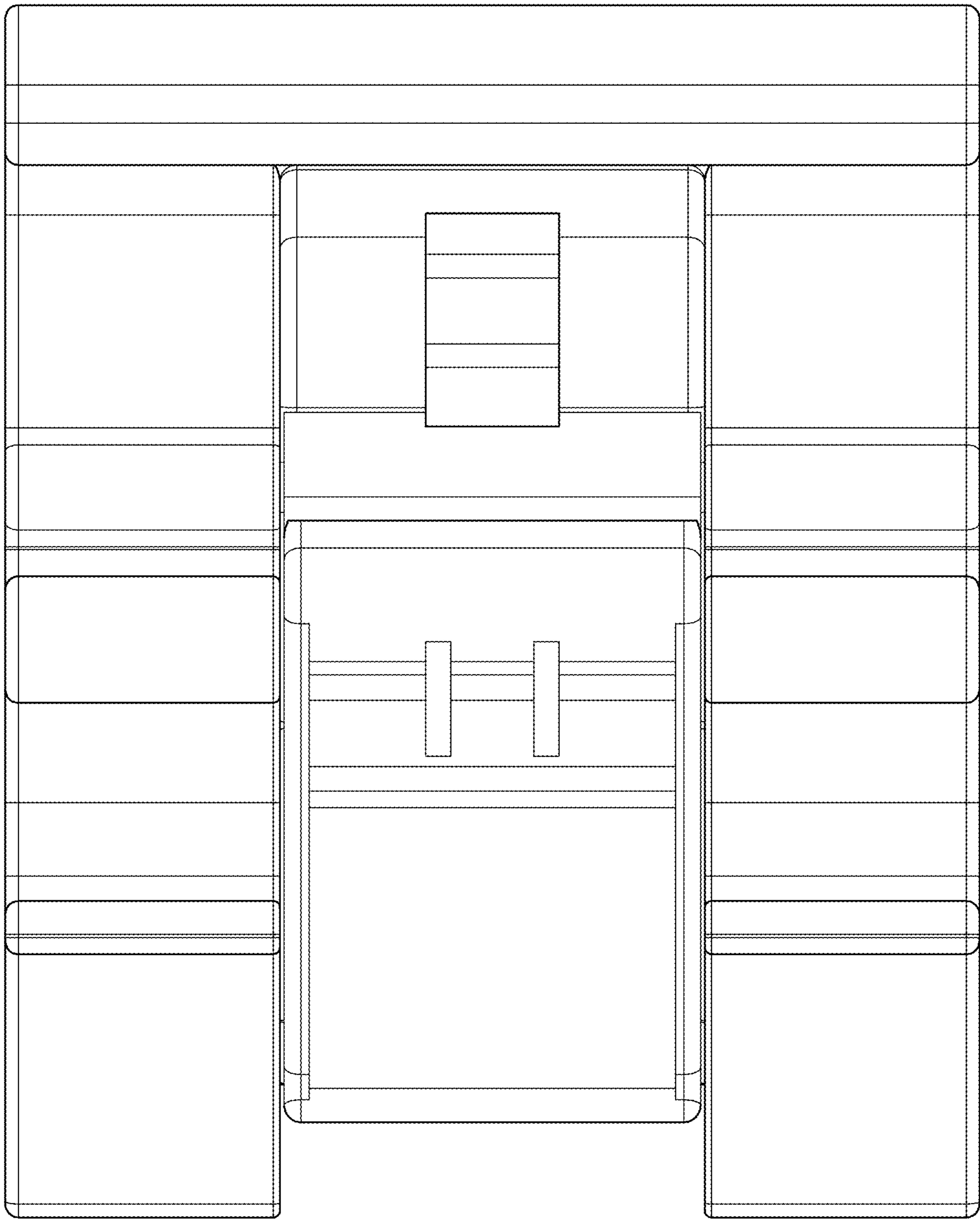


Fig. 4

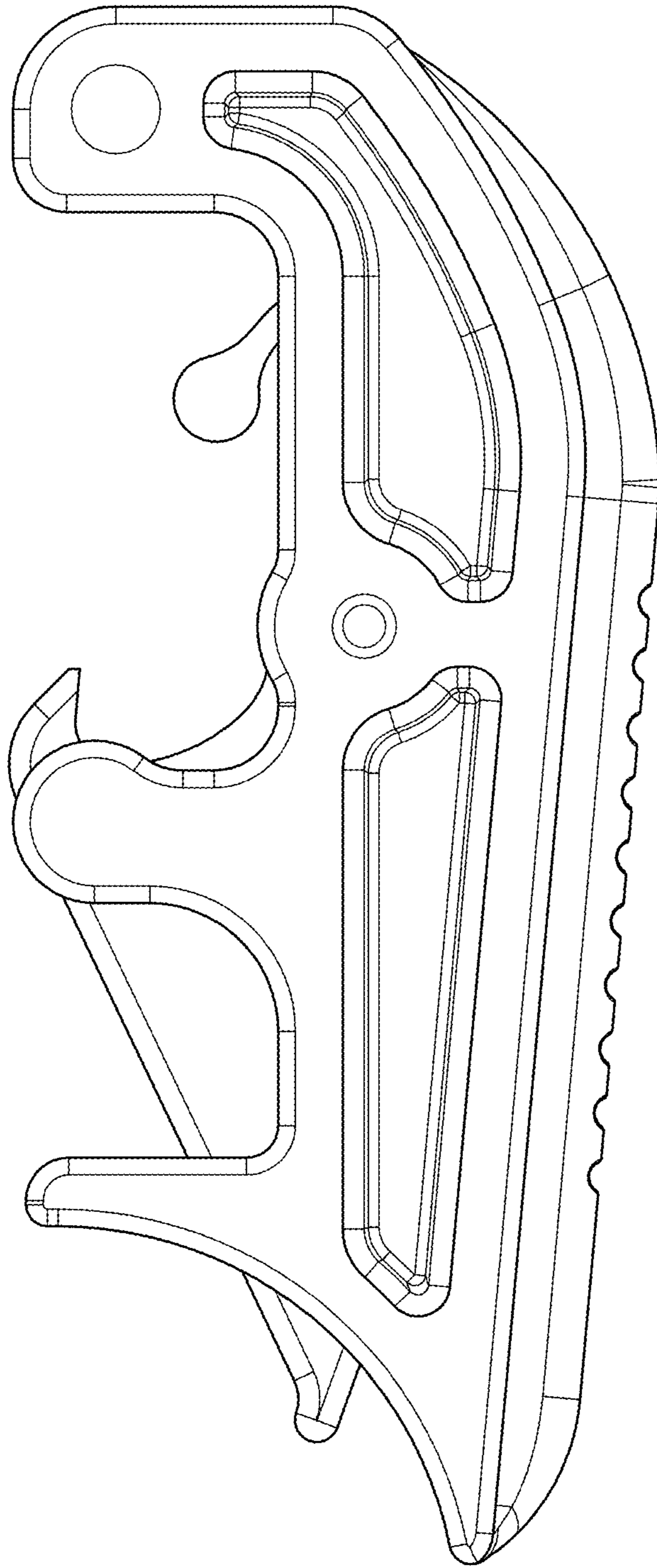


Fig. 5

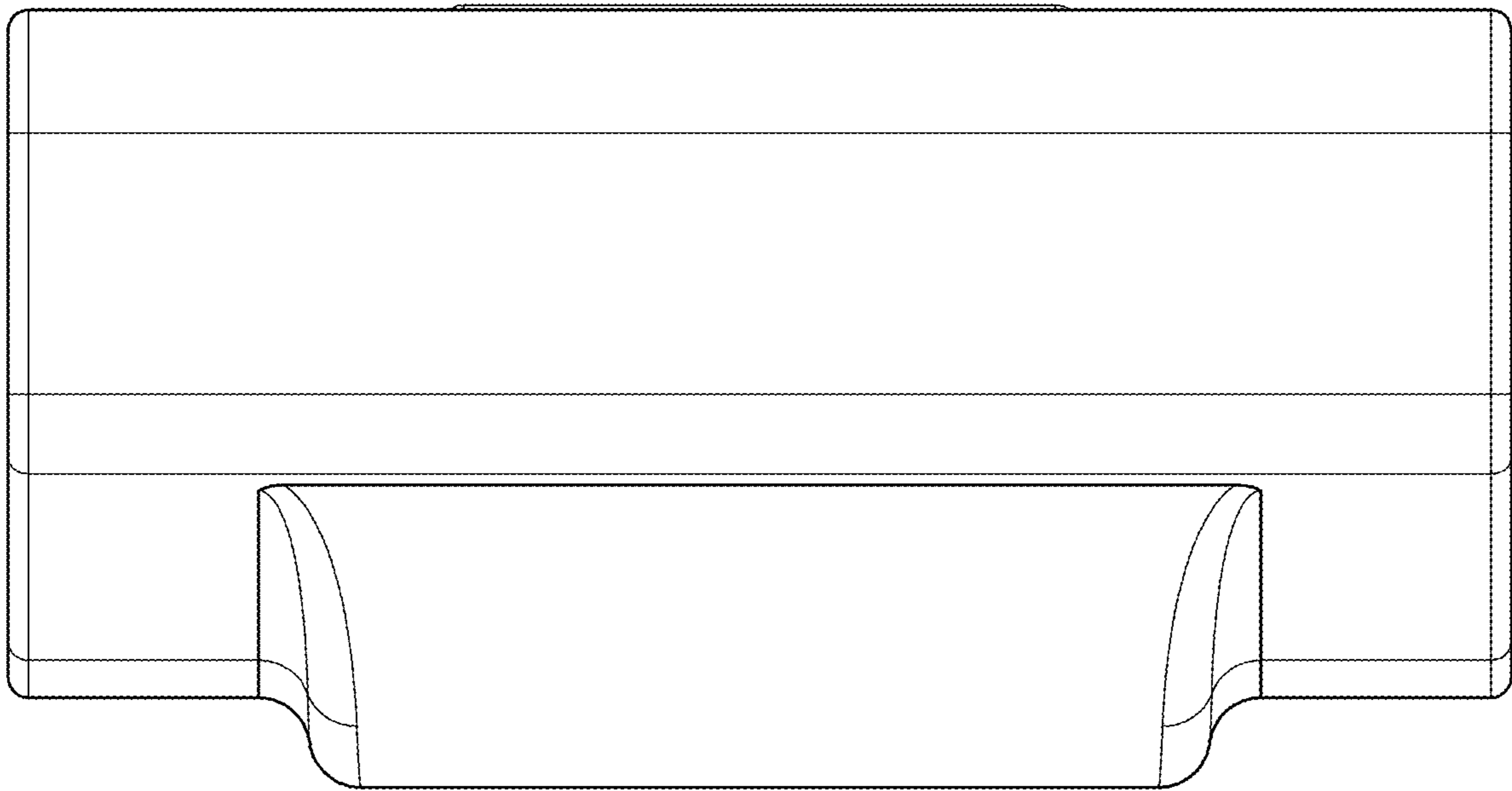


Fig. 6

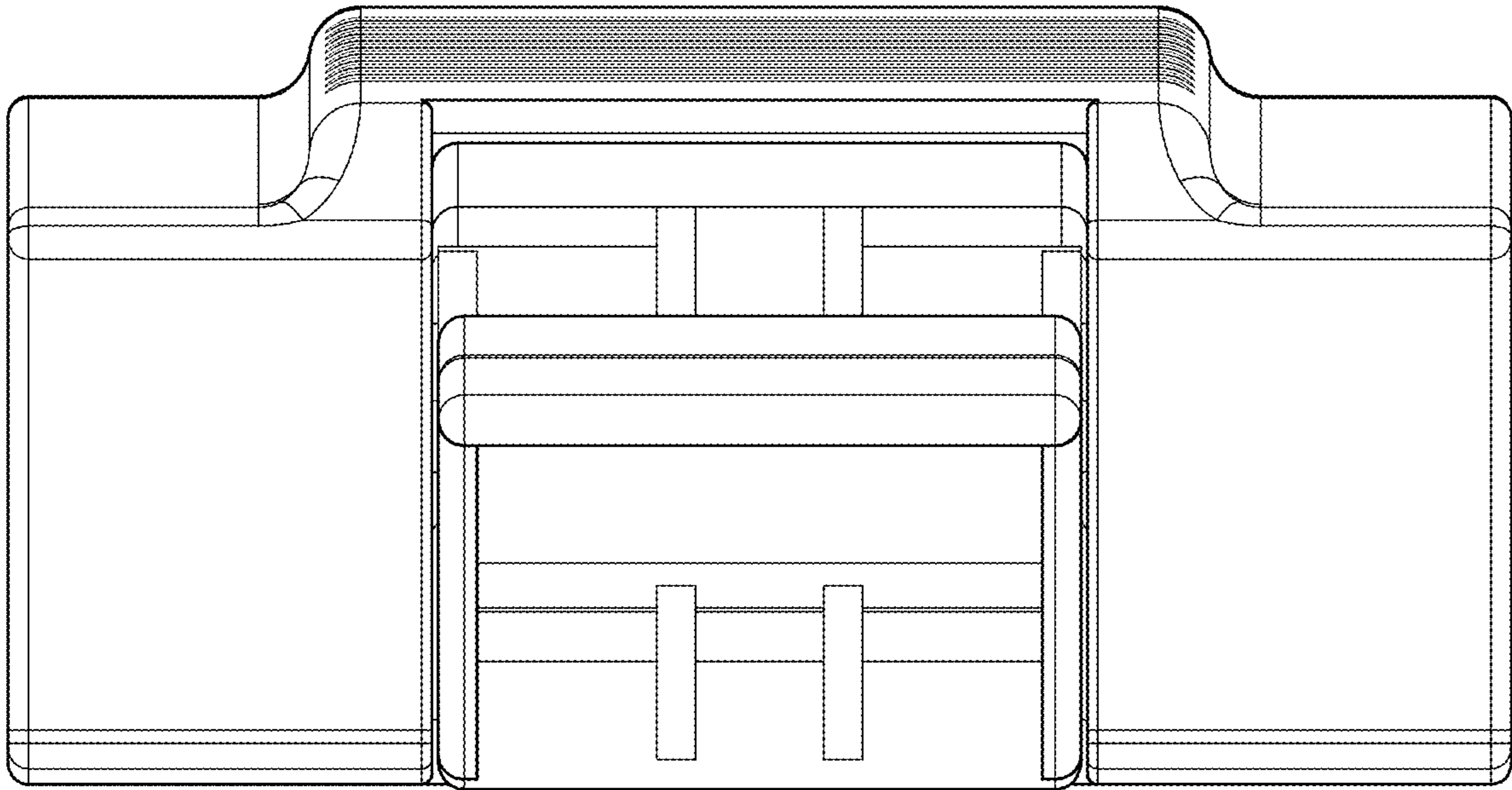


Fig. 7

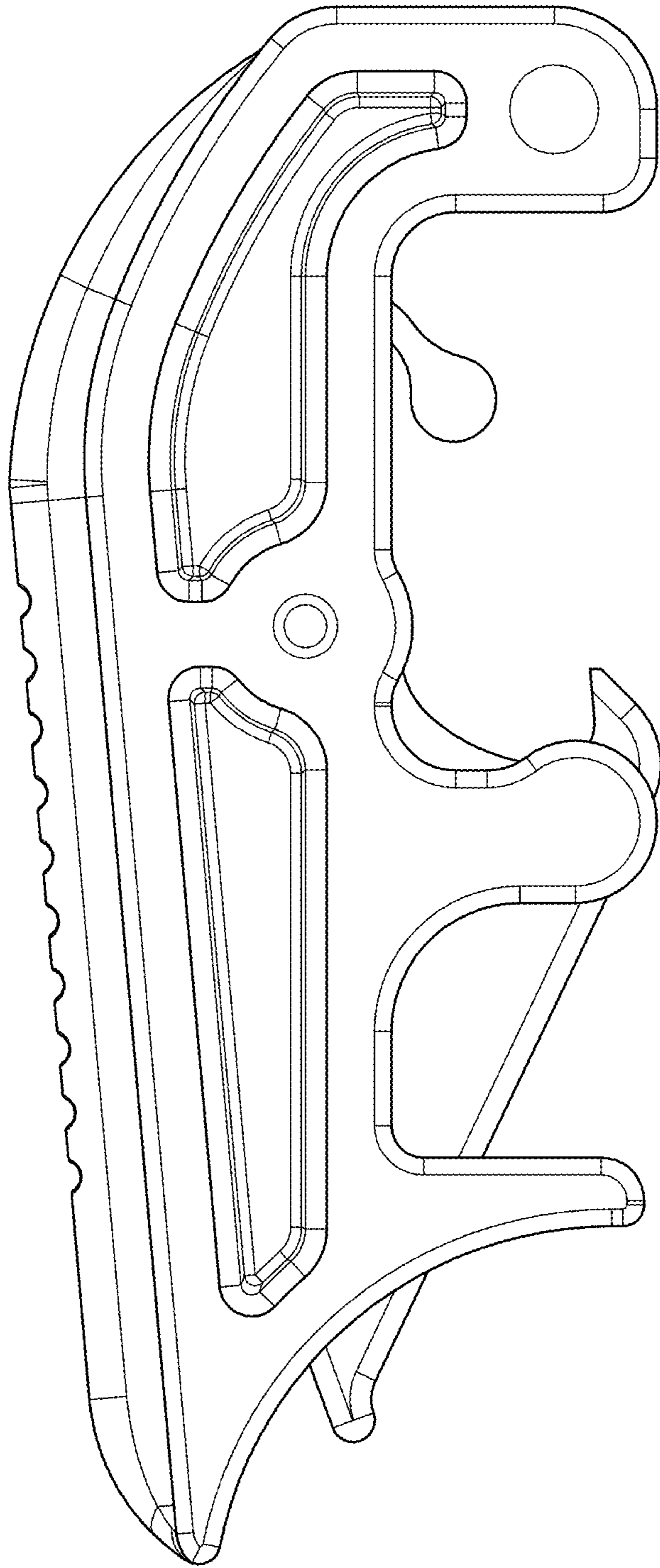


Fig. 8

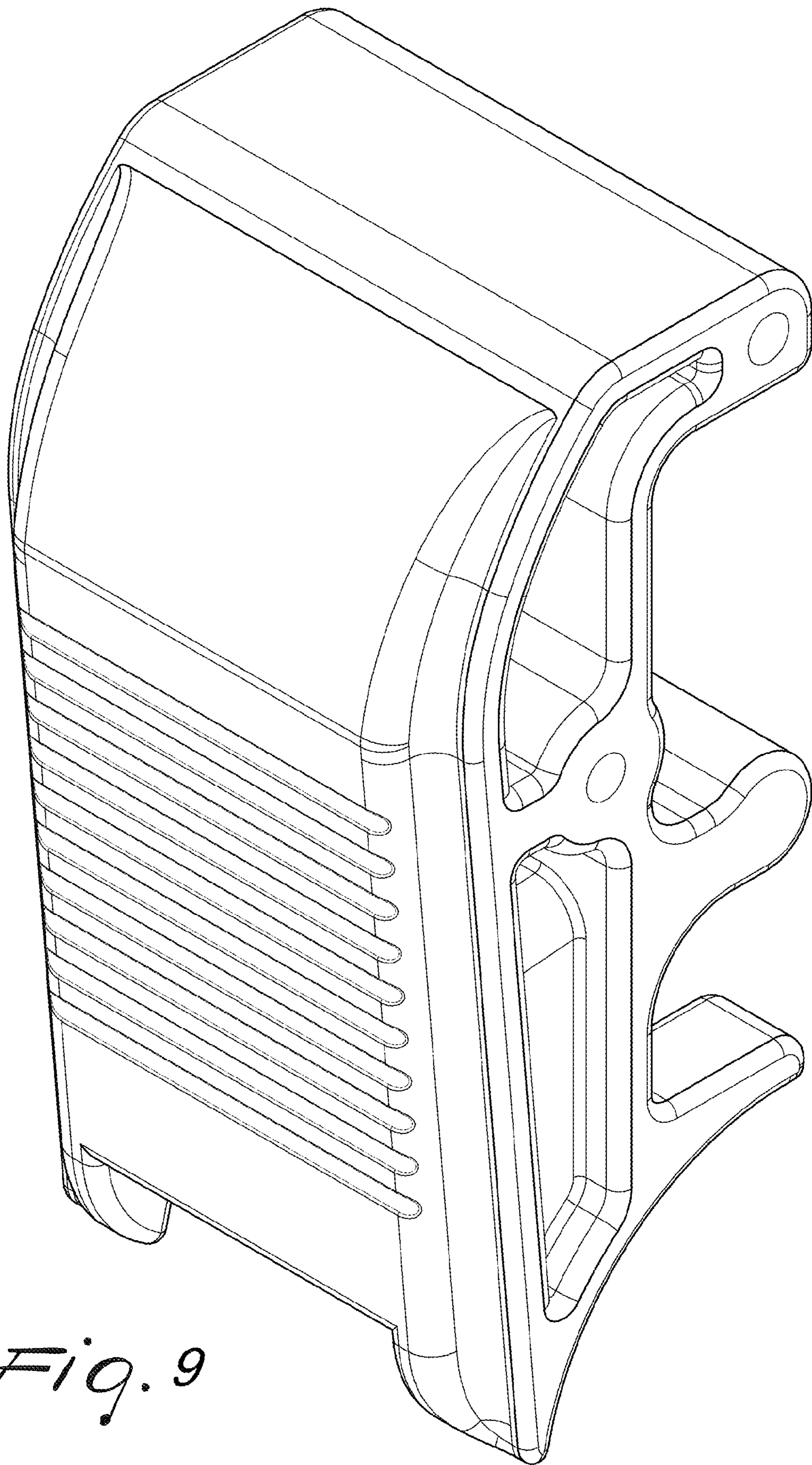


Fig. 9

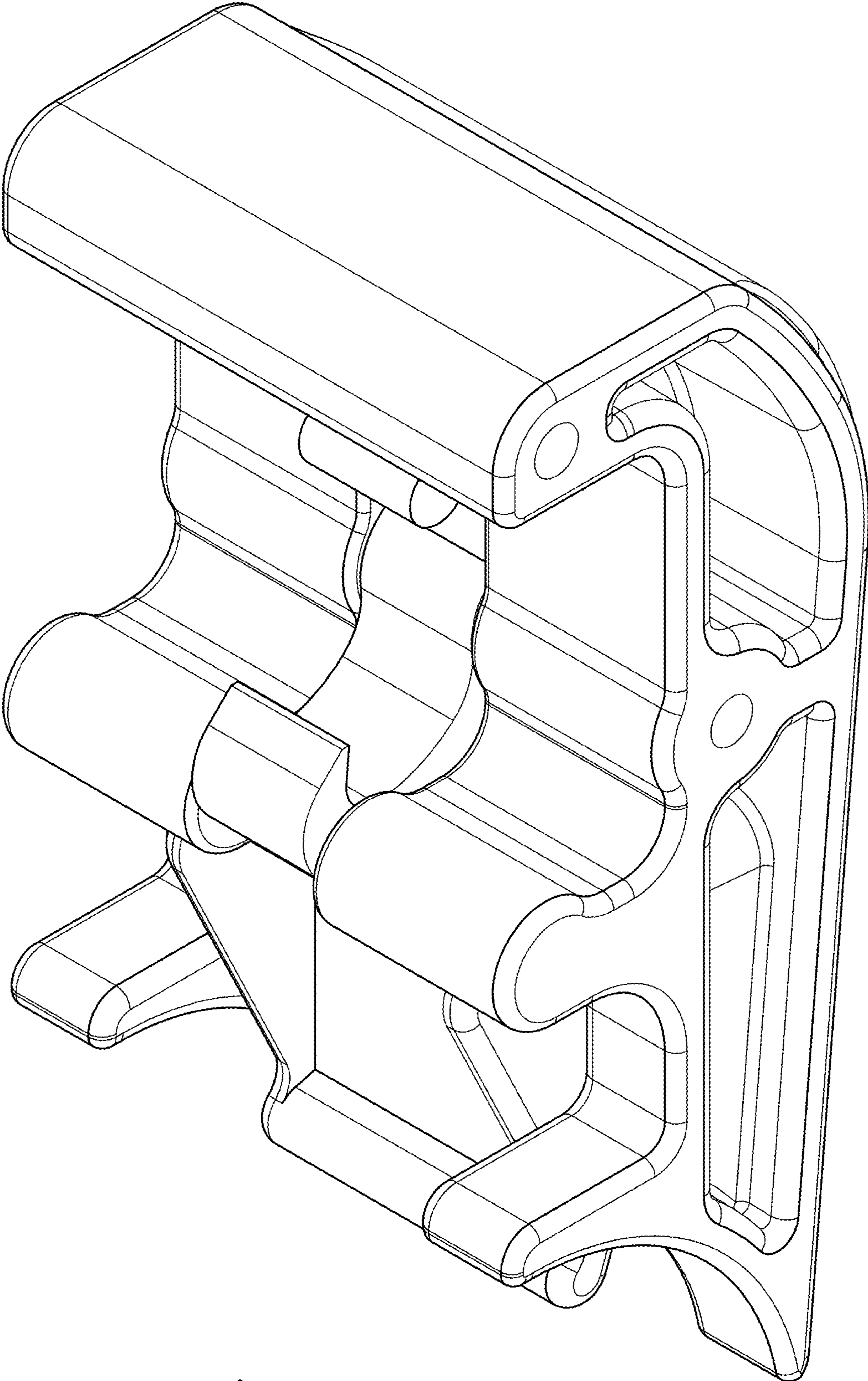


Fig. 10

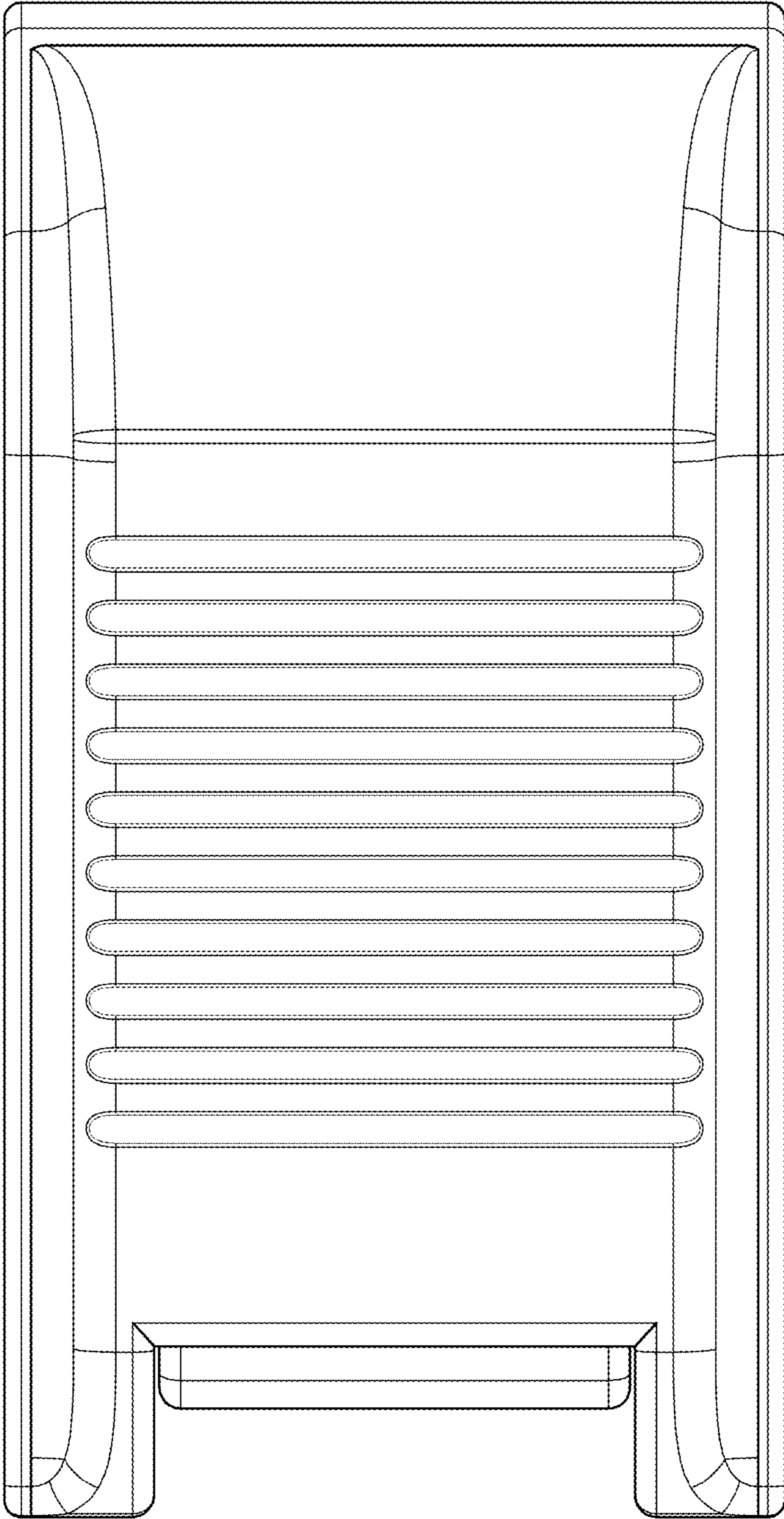


Fig. 11

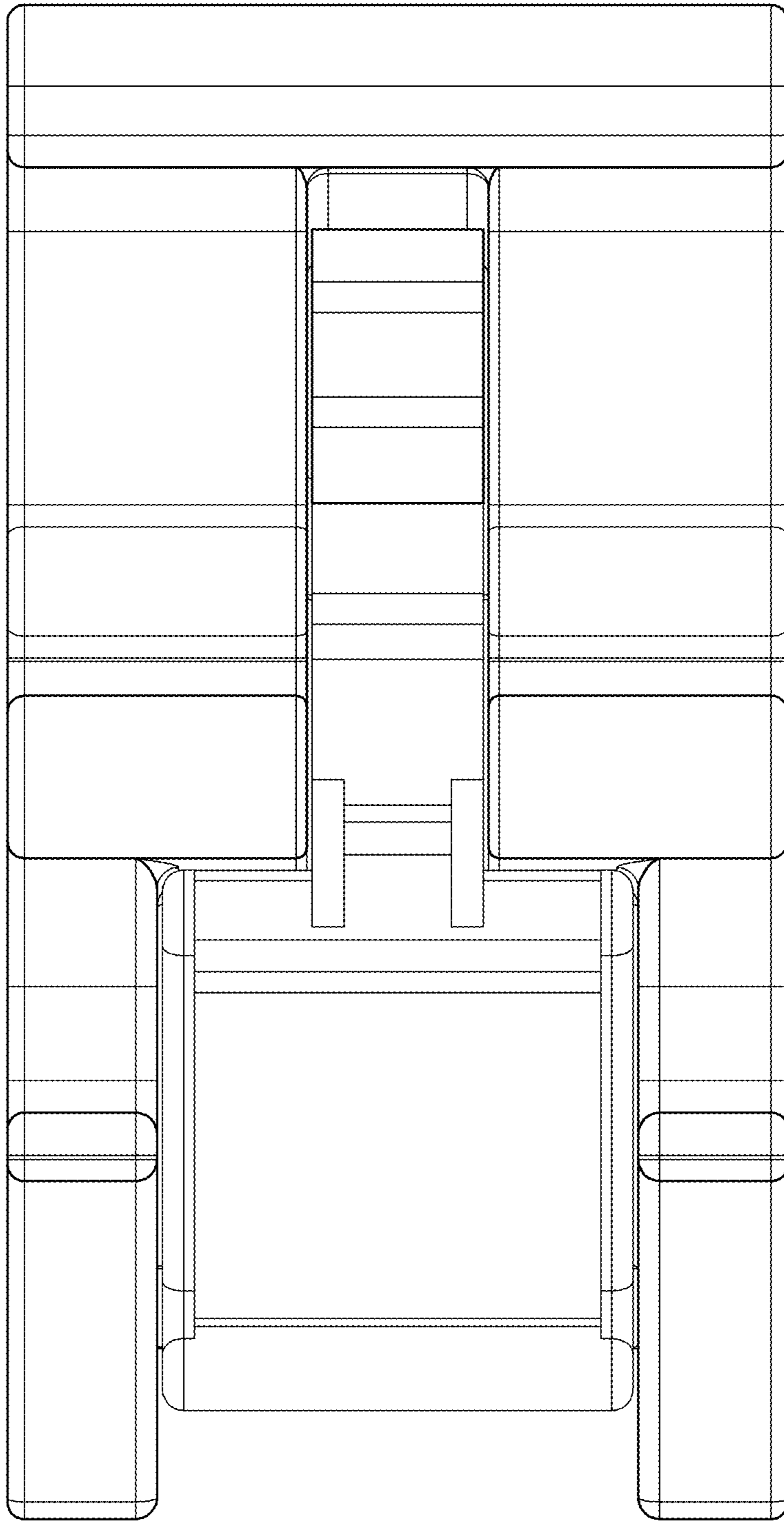


Fig. 12

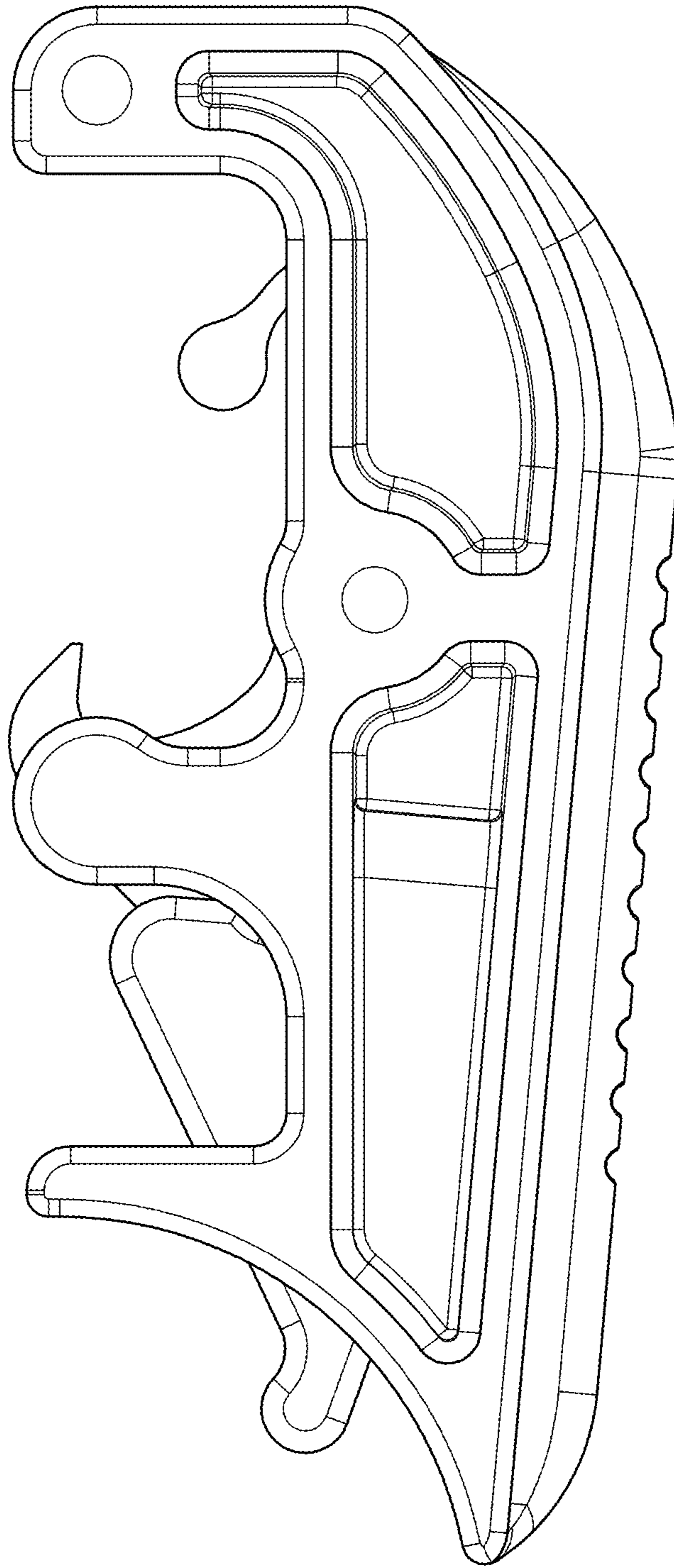


Fig. 13

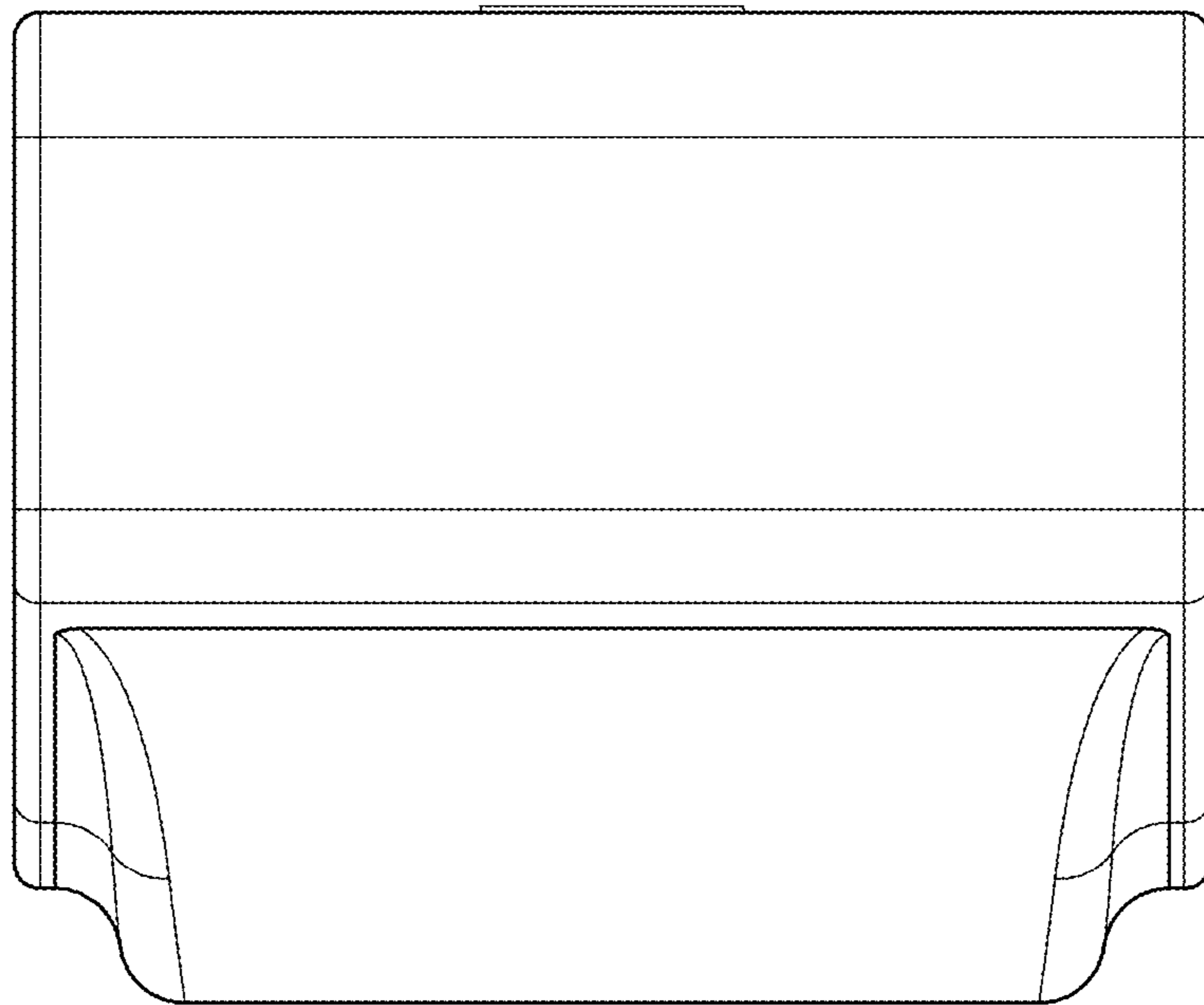


Fig. 14

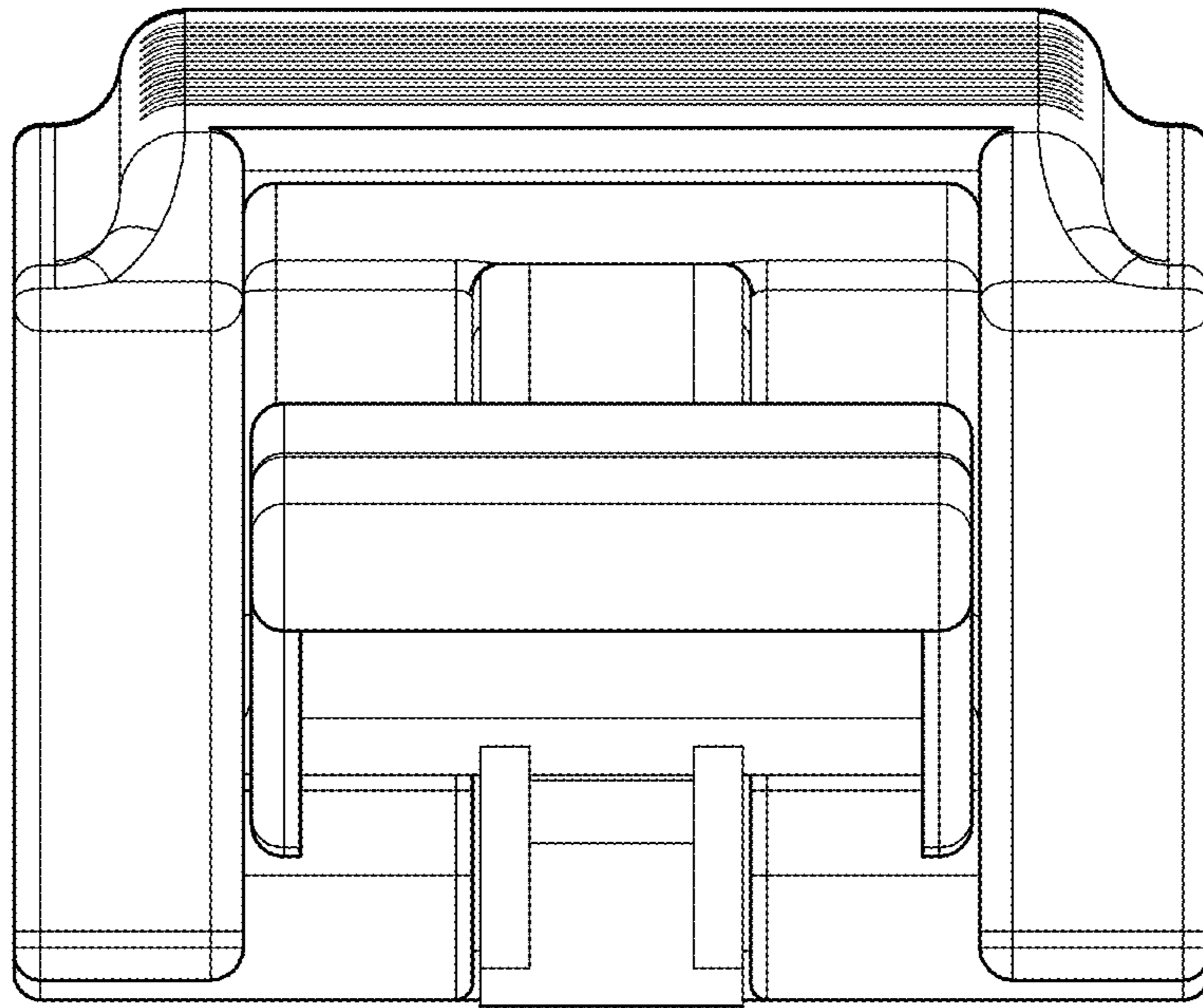


Fig. 15

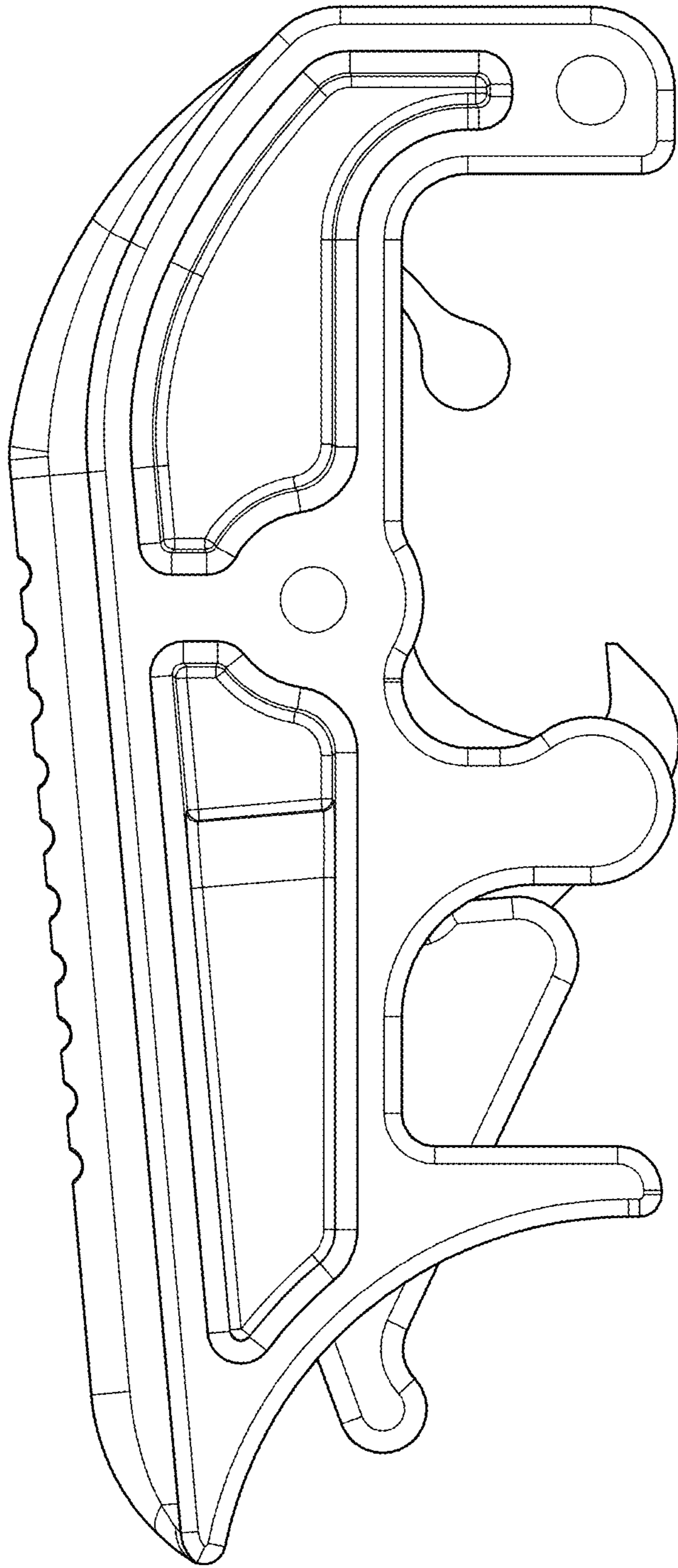


Fig. 16