



US00D898545S

(12) **United States Design Patent**  
**Becker**

(10) **Patent No.:** **US D898,545 S**

(45) **Date of Patent:** **\*\* Oct. 13, 2020**

(54) **FORMING PANEL INSERT**  
(71) Applicant: **BRAND SHARED SERVICES LLC**,  
Kennesaw, GA (US)  
(72) Inventor: **Allan James Becker**, Richmond Hill  
(CA)

(\*\*) Term: **15 Years**

(21) Appl. No.: **29/659,056**

(22) Filed: **Aug. 6, 2018**

(30) **Foreign Application Priority Data**

Feb. 6, 2018 (CA) ..... 179639

(51) **LOC (12) Cl.** ..... **08-06**

(52) **U.S. Cl.**  
USPC ..... **D8/323**

(58) **Field of Classification Search**  
USPC ..... D25/62, 66, 68, 119-129; 182/222-226,  
182/119, 150; 52/633, 656.7, 149, 345,  
52/831, 832, 833, 834, 835; 14/69.5;  
405/167; D8/355, 381, 323-330  
CPC ..... B65G 69/30; E05D 1/06; E05D 15/48  
See application file for complete search history.

(56) **References Cited**

**U.S. PATENT DOCUMENTS**

3,517,519 A \* 6/1970 Kolb ..... F16L 1/225  
405/167  
4,443,905 A \* 4/1984 Kopp ..... B65G 69/30  
14/69.5  
4,825,976 A \* 5/1989 Wyse ..... E04G 1/152  
182/119  
4,913,615 A \* 4/1990 Ward ..... B60P 1/43  
14/69.5  
D407,624 S \* 4/1999 Ehrig ..... D16/334

D478,495 S \* 8/2003 Votruba ..... D8/323  
7,478,449 B2 \* 1/2009 Williams ..... B65G 69/30  
14/69.5  
D595,920 S \* 7/2009 Lederhause ..... D34/32  
D605,492 S \* 12/2009 De Leone ..... D8/323  
7,950,094 B2 \* 5/2011 Bailie ..... B65G 69/30  
14/69.5  
8,123,001 B1 \* 2/2012 Apostolopoulos .... E01D 19/106  
182/150

\* cited by examiner

*Primary Examiner* — Gino Colan

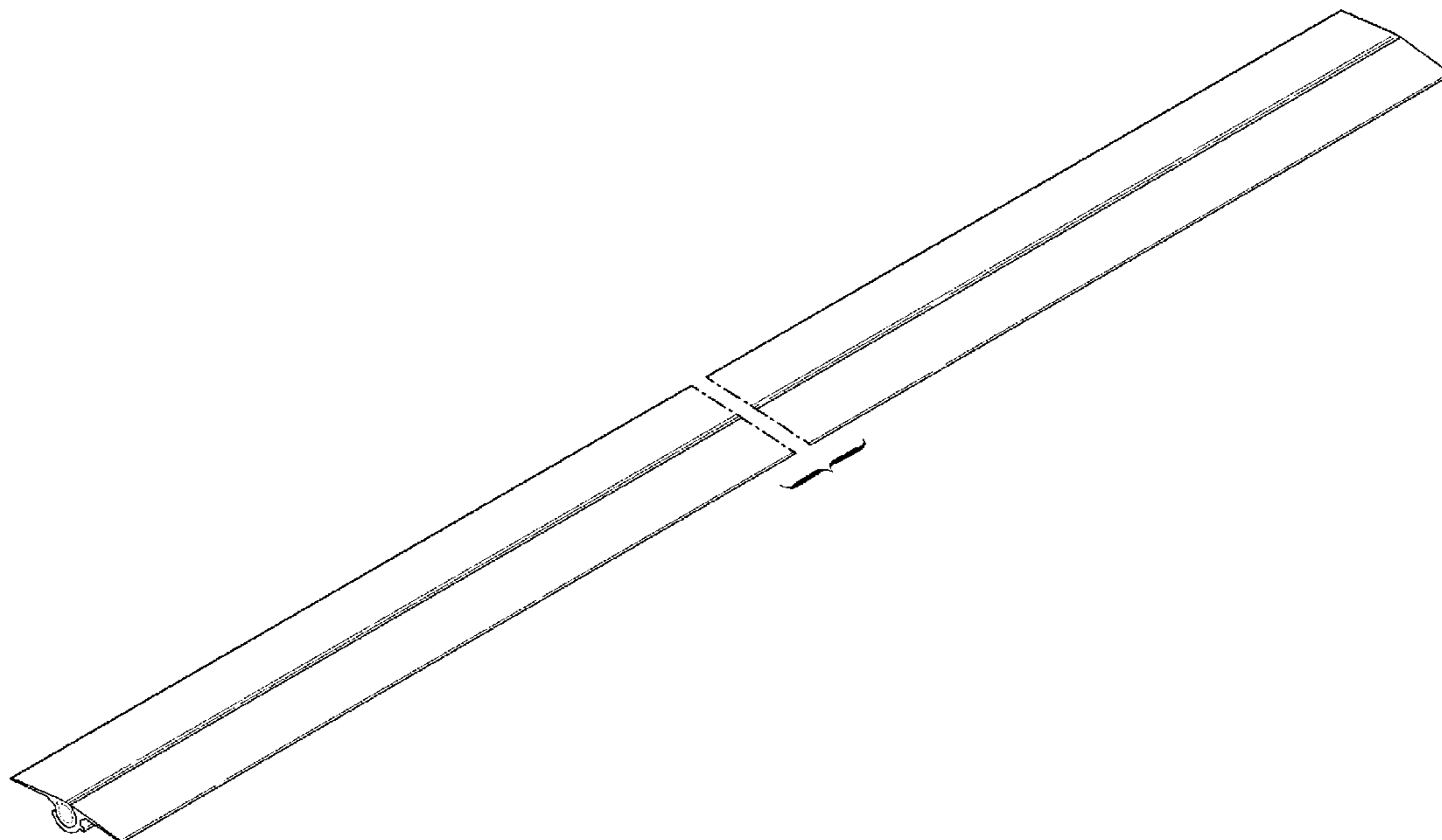
(57) **CLAIM**

The ornamental design for a forming panel insert, as shown and described.

**DESCRIPTION**

FIG. 1 is a top, front, left perspective view of a forming panel insert showing my new design;  
FIG. 2 is a top view thereof;  
FIG. 3 is a bottom view thereof;  
FIG. 4 is a front view thereof;  
FIG. 5 is a back view thereof;  
FIG. 6 is a left side view thereof;  
FIG. 7 is an enlarged view of FIG. 6;  
FIG. 8 is a right side view thereof;  
FIG. 9 is an enlarged view of FIG. 8; and,  
FIG. 10 is a perspective view thereof showing the forming panel insert in an environment in which it may be used.  
The forming panel insert is shown with a symbolic break in its length. The appearance of any portion of the article between the break lines forms no part of the claimed design. The broken lines in FIG. 10 shows portions of the environment that form no part of the claimed design.

**1 Claim, 4 Drawing Sheets**



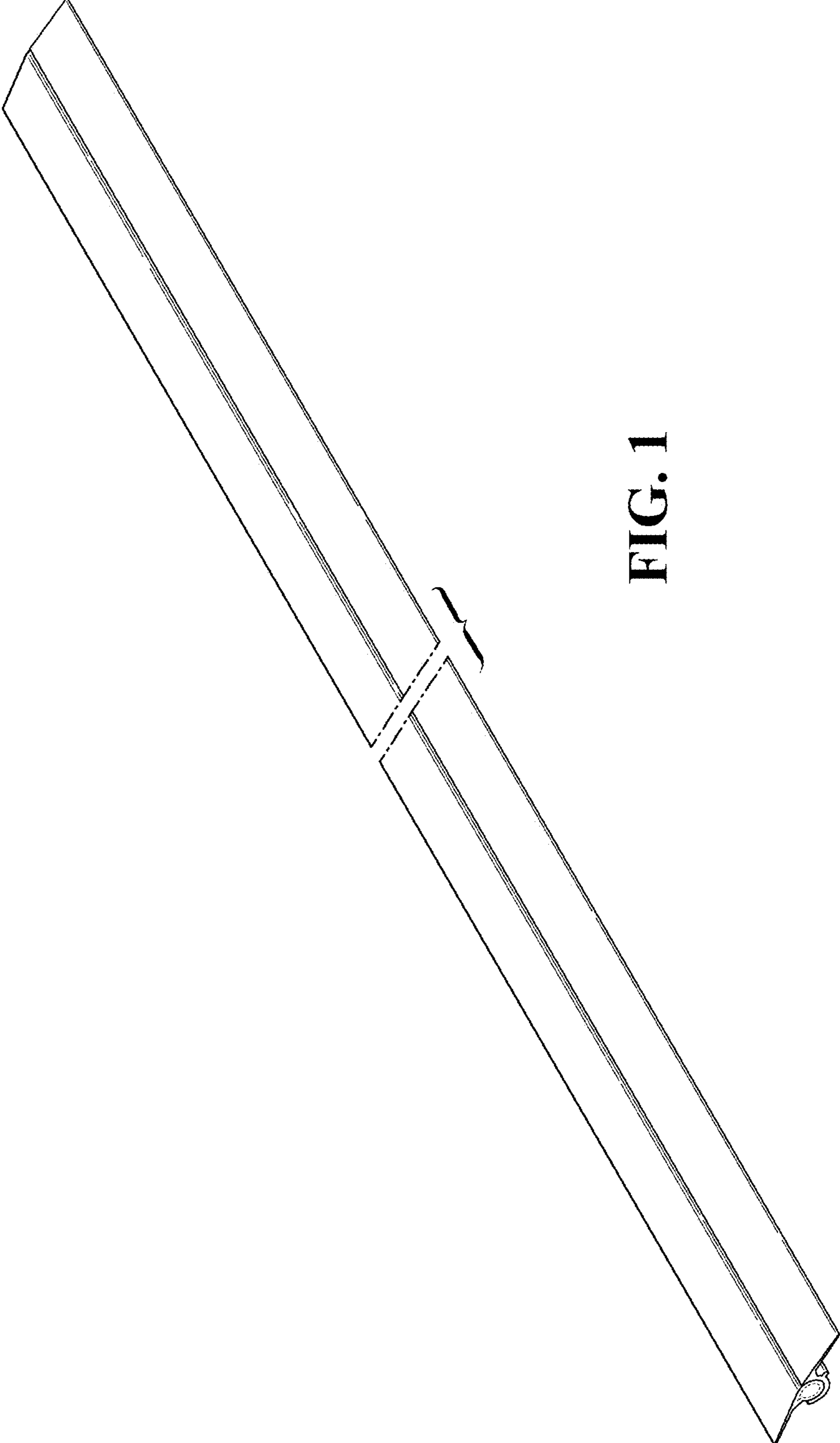


FIG. 1

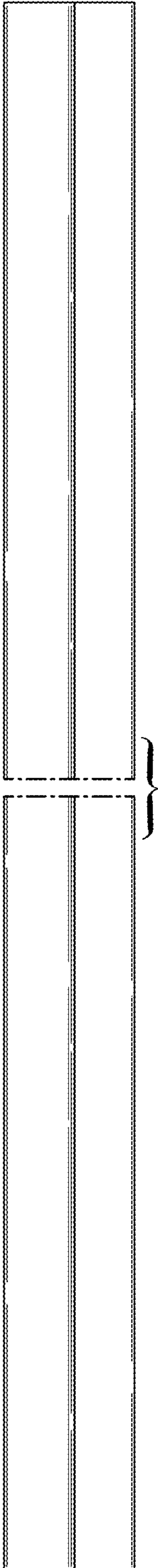


FIG. 2

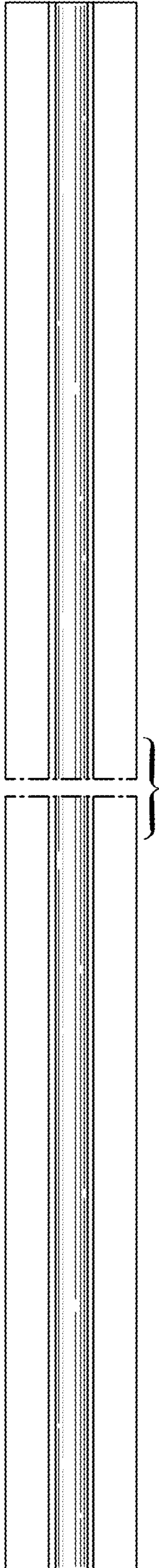


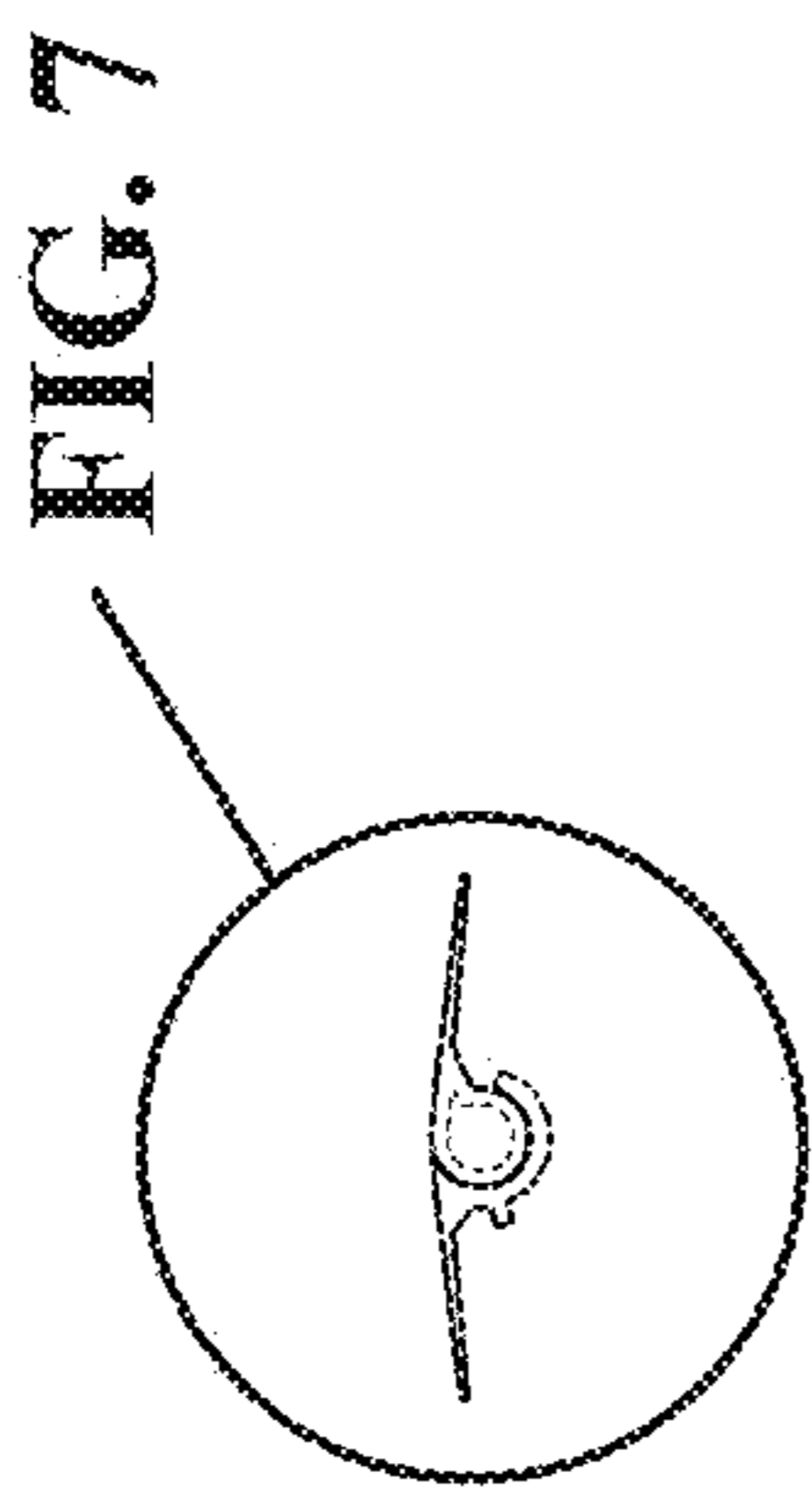
FIG. 3



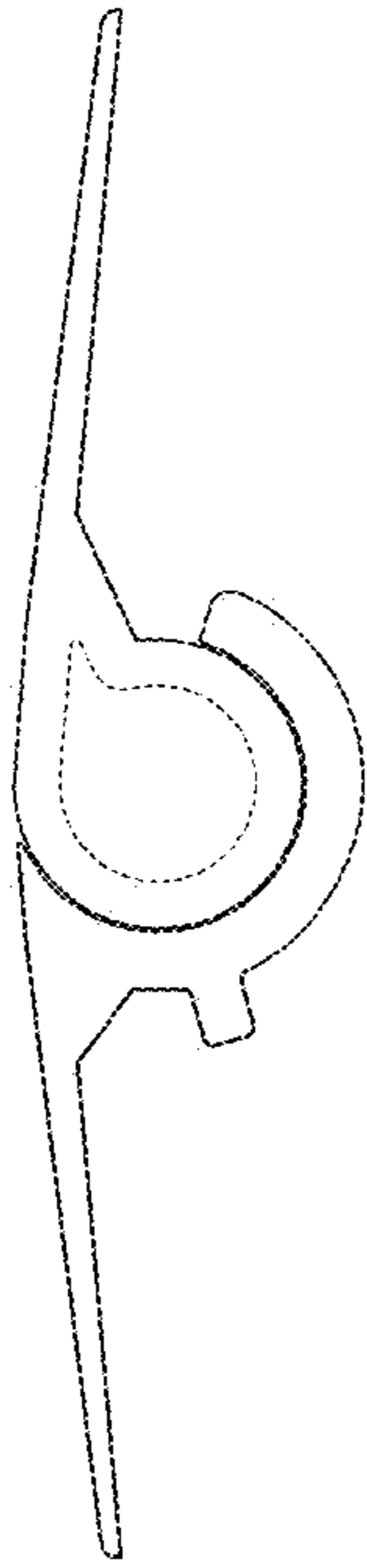
FIG. 4



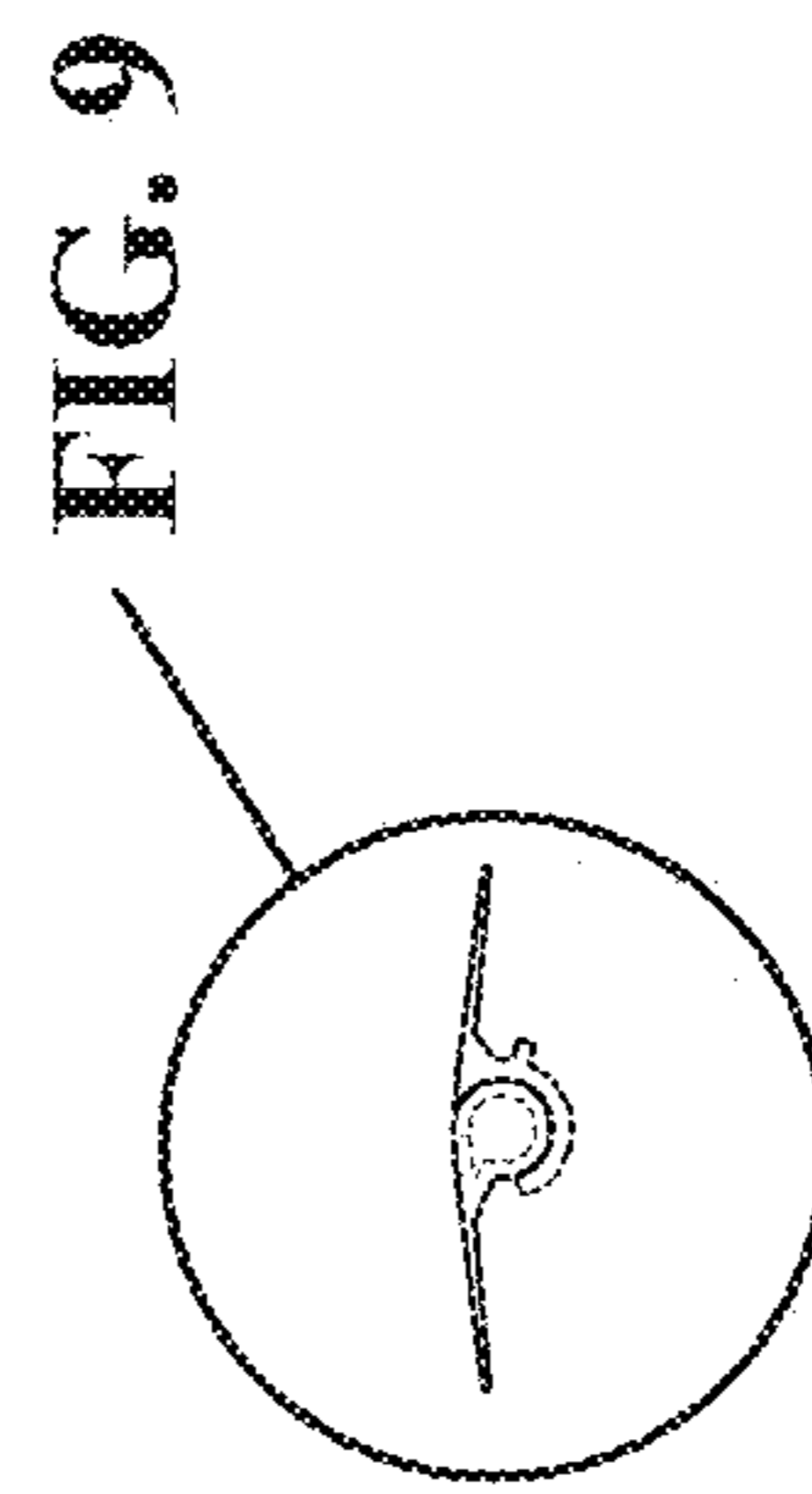
FIG. 5



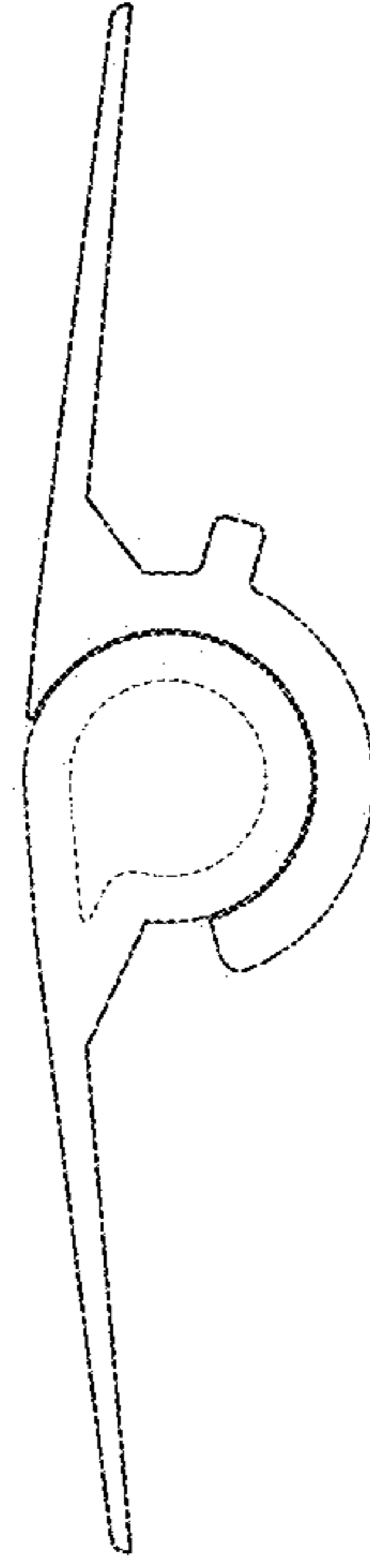
**FIG. 6**



**FIG. 7**



**FIG. 8**



**FIG. 9**

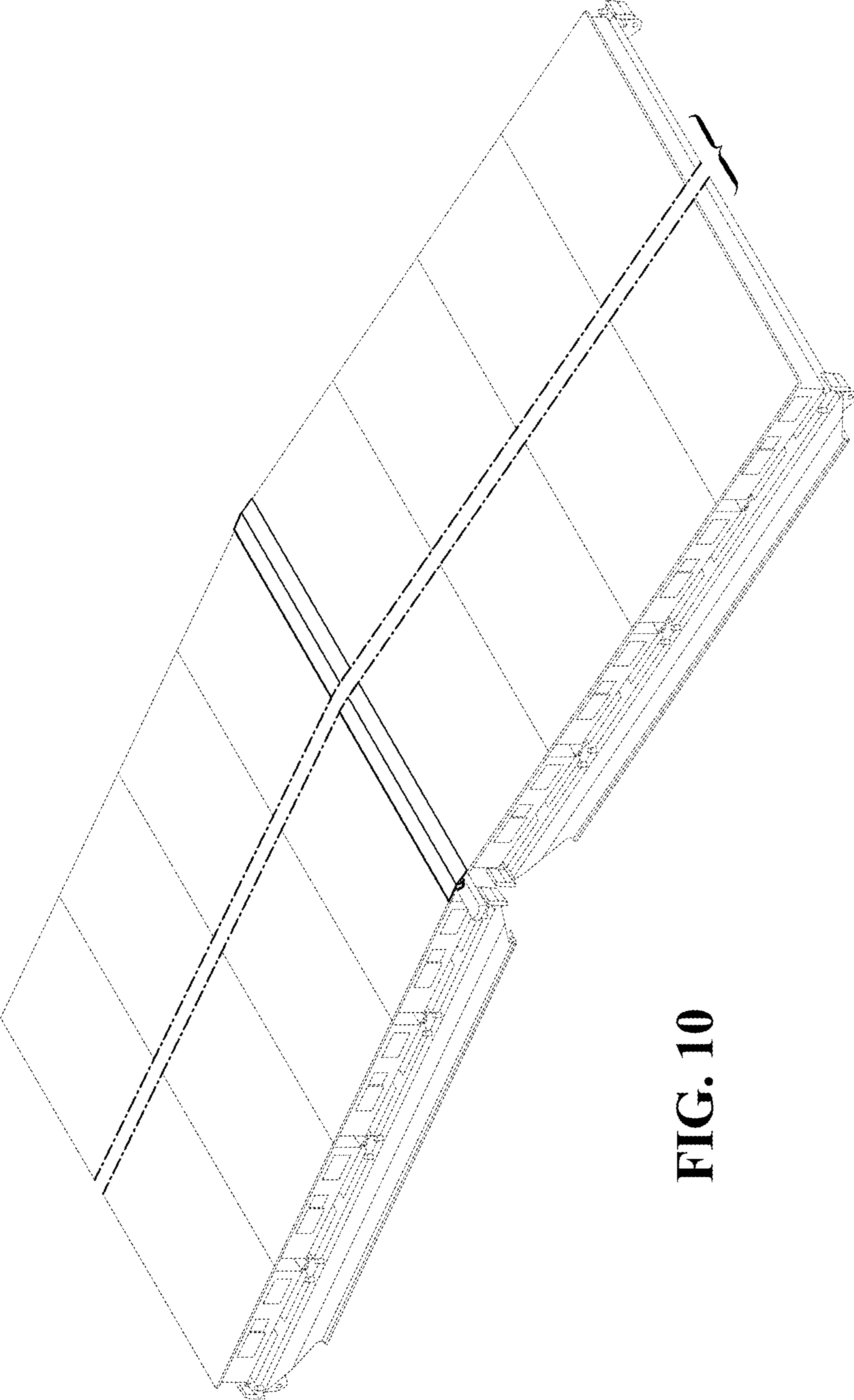


FIG. 10