



US00D898540S

(12) **United States Design Patent**
Griffin

(10) **Patent No.:** **US D898,540 S**

(45) **Date of Patent:** **** Oct. 13, 2020**

(54) **TOOL FOR CUTTING OPTICAL FIBER**

(71) Applicant: **Cyclone Biosciences LLC**, Phoenix, AZ (US)

(72) Inventor: **Stephen E. Griffin**, Peoria, AZ (US)

(73) Assignee: **CYCLONE BIOSCIENCES LLC**, Phoenix, AZ (US)

(**) Term: **15 Years**

(21) Appl. No.: **29/663,420**

(22) Filed: **Sep. 14, 2018**

(51) **LOC (12) Cl.** **08-03**

(52) **U.S. Cl.**
USPC **D8/98**

(58) **Field of Classification Search**
USPC D8/14, 98, 99
CPC . B26D 3/16; B26D 3/169; G02B 6/25; H02G 1/1221; H02G 1/1224; H02G 1/1239
See application file for complete search history.

(56) **References Cited**

U.S. PATENT DOCUMENTS

5,046,252 A * 9/1991 Ayuta B26D 3/169
29/566.4
6,701,055 B2 * 3/2004 Yasuda B26D 1/04
385/134

6,754,426 B2 * 6/2004 Lee G02B 6/25
225/93
6,754,960 B1 * 6/2004 Shiraishi G02B 6/245
30/279.2
6,963,687 B2 * 11/2005 Vergeest B23K 26/0648
385/123
8,453,332 B2 * 6/2013 Elberbaum B26D 1/04
30/278
8,678,671 B2 * 3/2014 Mulligan G02B 6/25
385/134

* cited by examiner

Primary Examiner — Philip S Hyder

(74) *Attorney, Agent, or Firm* — Yakov Sidorin; Quarles & Brady LLP

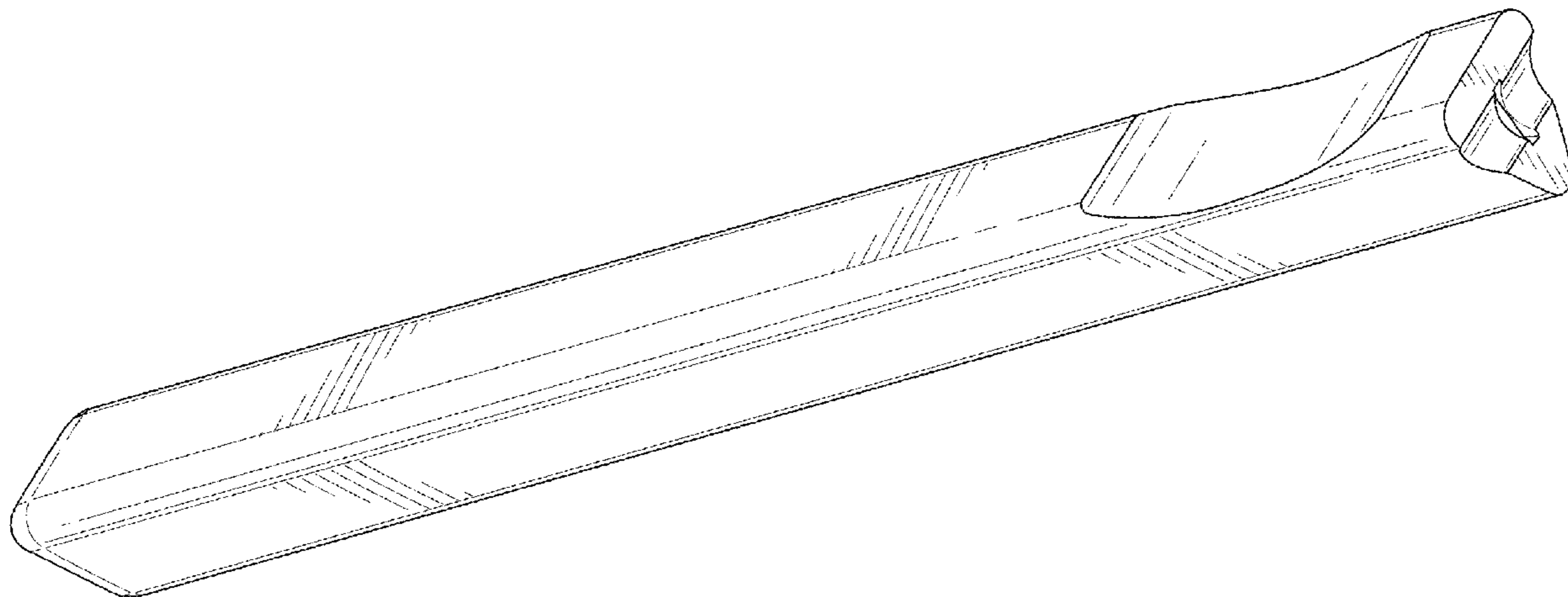
(57) **CLAIM**

The ornamental design for a tool for cutting an optical fiber, as shown and described.

DESCRIPTION

FIG. 1 is a perspective view of a tool for cutting optical fiber, showing my new design;
FIG. 2 is a left side elevation view thereof;
FIG. 3 is a top plan view thereof;
FIG. 4 is a bottom plan view thereof; and,
FIG. 5 is an enlarged front end elevation view thereof.

1 Claim, 5 Drawing Sheets



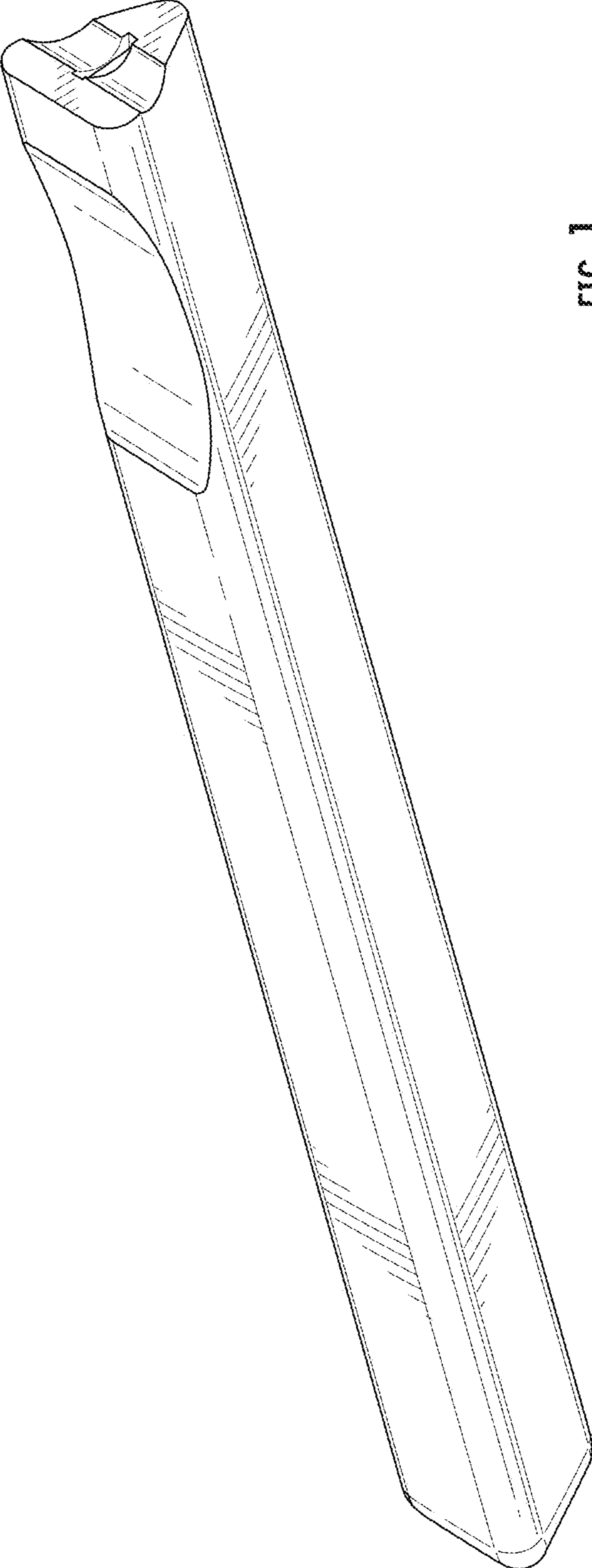


FIG. 1

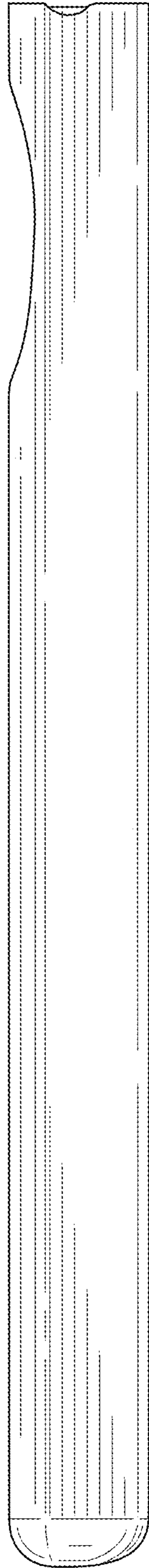


FIG. 2

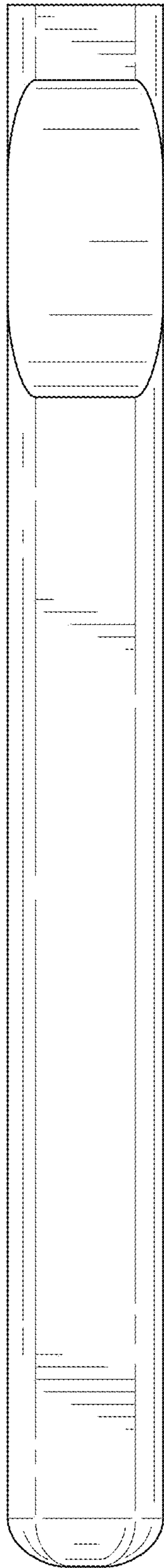


FIG. 3

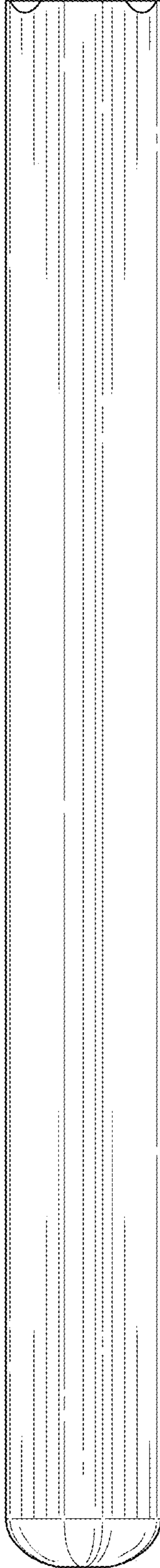


FIG. 4

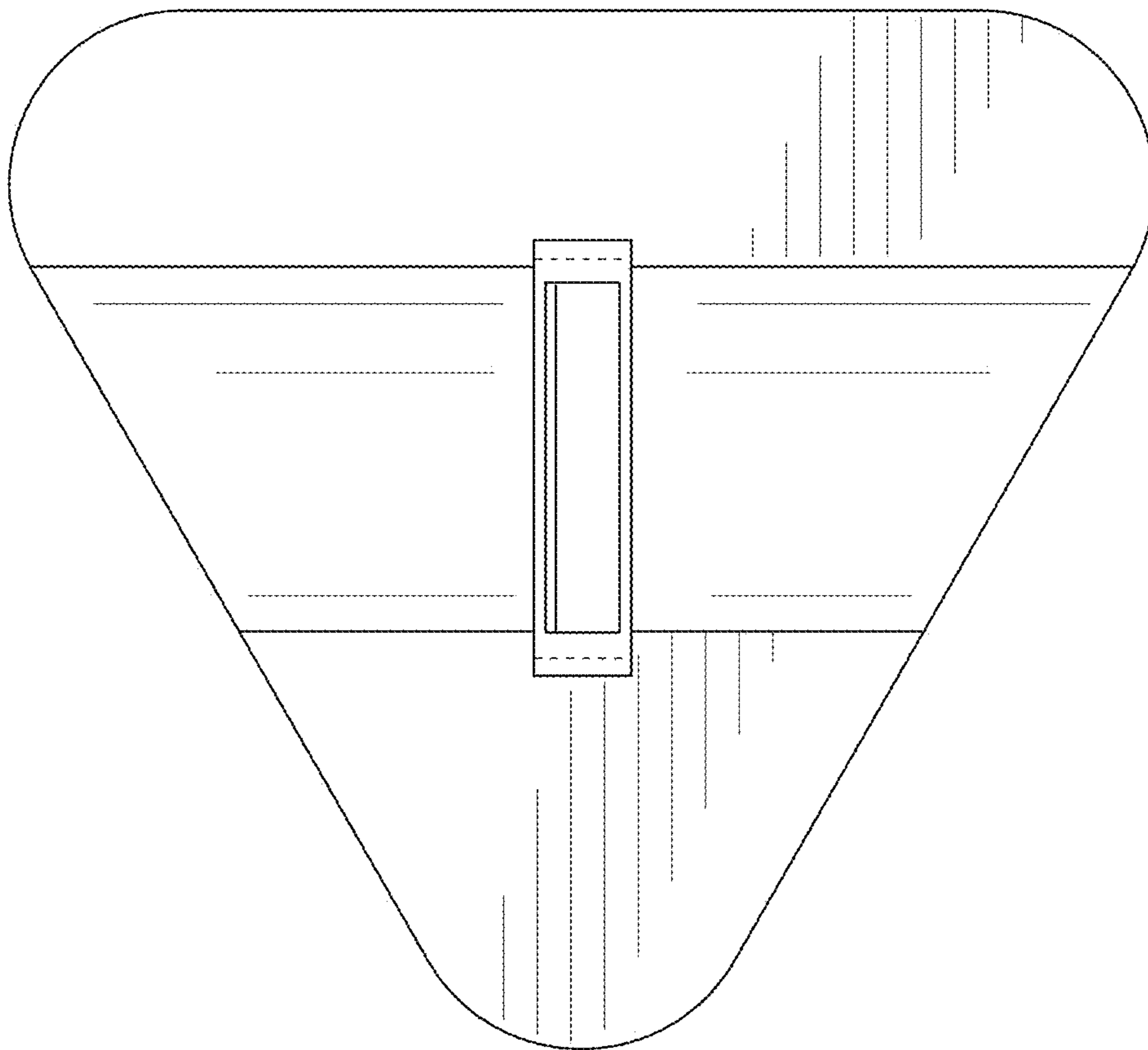


FIG. 5